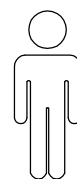
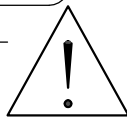
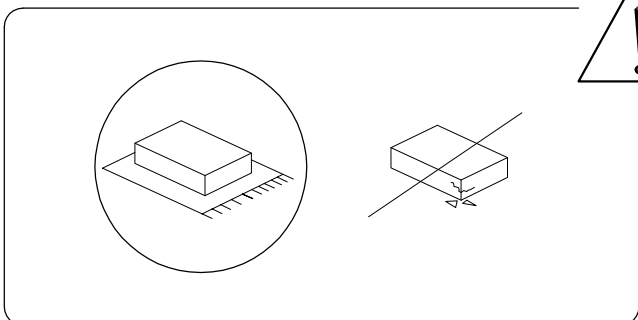
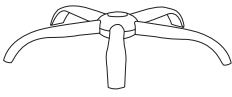


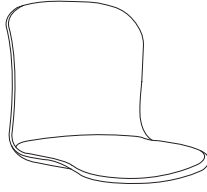
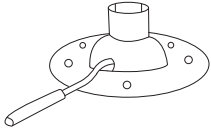


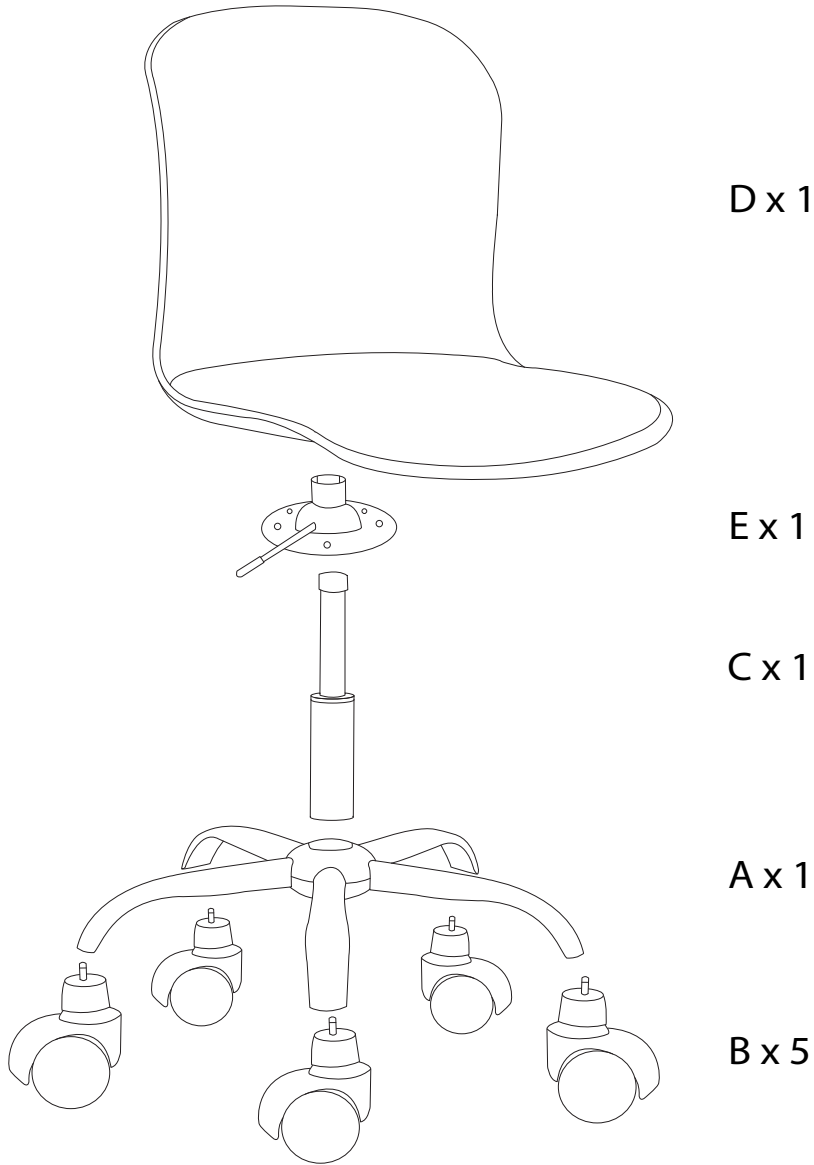
30'



1

1/4

A	B	C	D	E
				
x 1	x 5	x 1	x 1	x 1



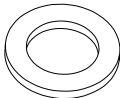
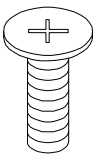
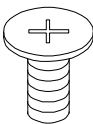

D x 1

E x 1

C x 1

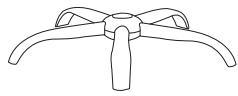
A x 1

B x 5

F	G	H	I
	 M6 x 20	 M6 x 16	
x 2	x 2	x 2	x 1

1

A

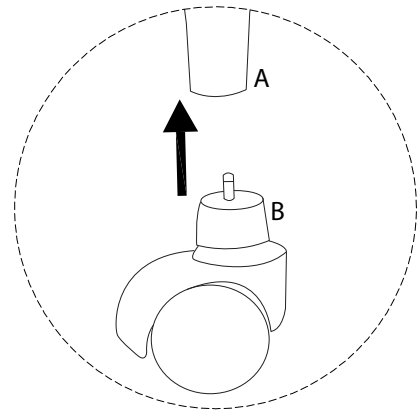
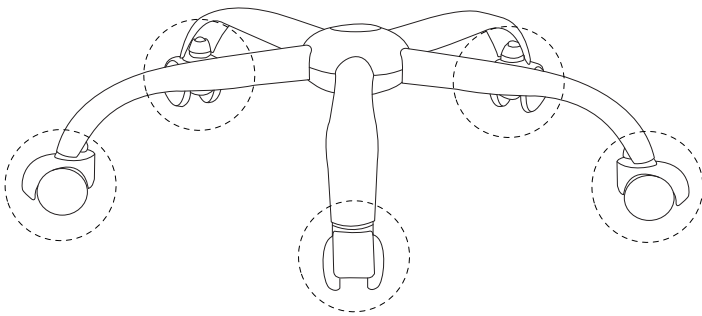


x 1

B



x 5



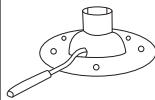
2

D



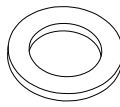
x 1

E



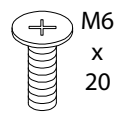
x 1

F



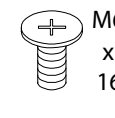
x 2

G



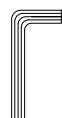
x 2

H

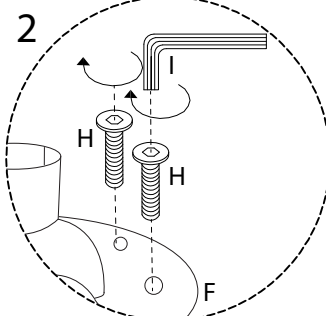
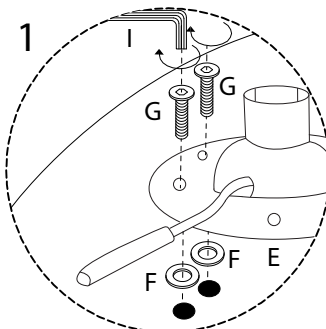
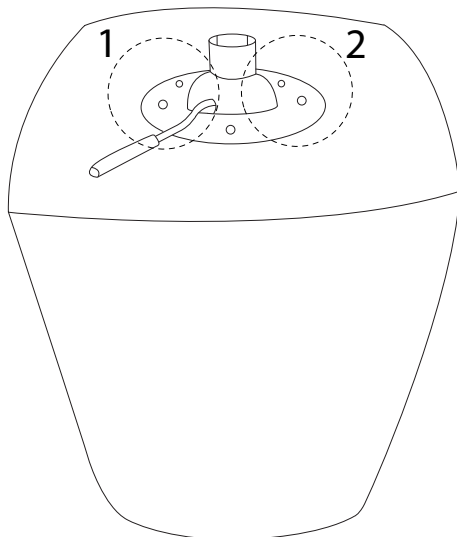


x 2

I



x 1



3

C



x1

