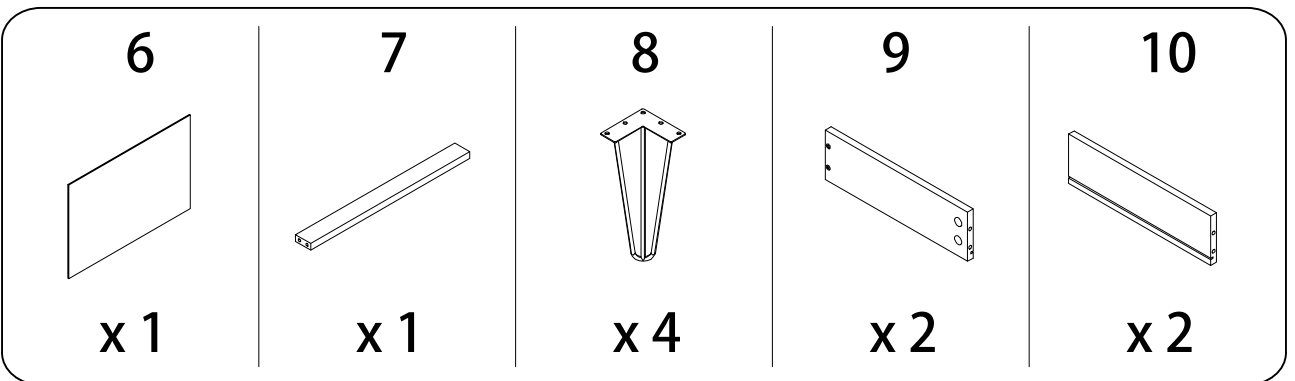
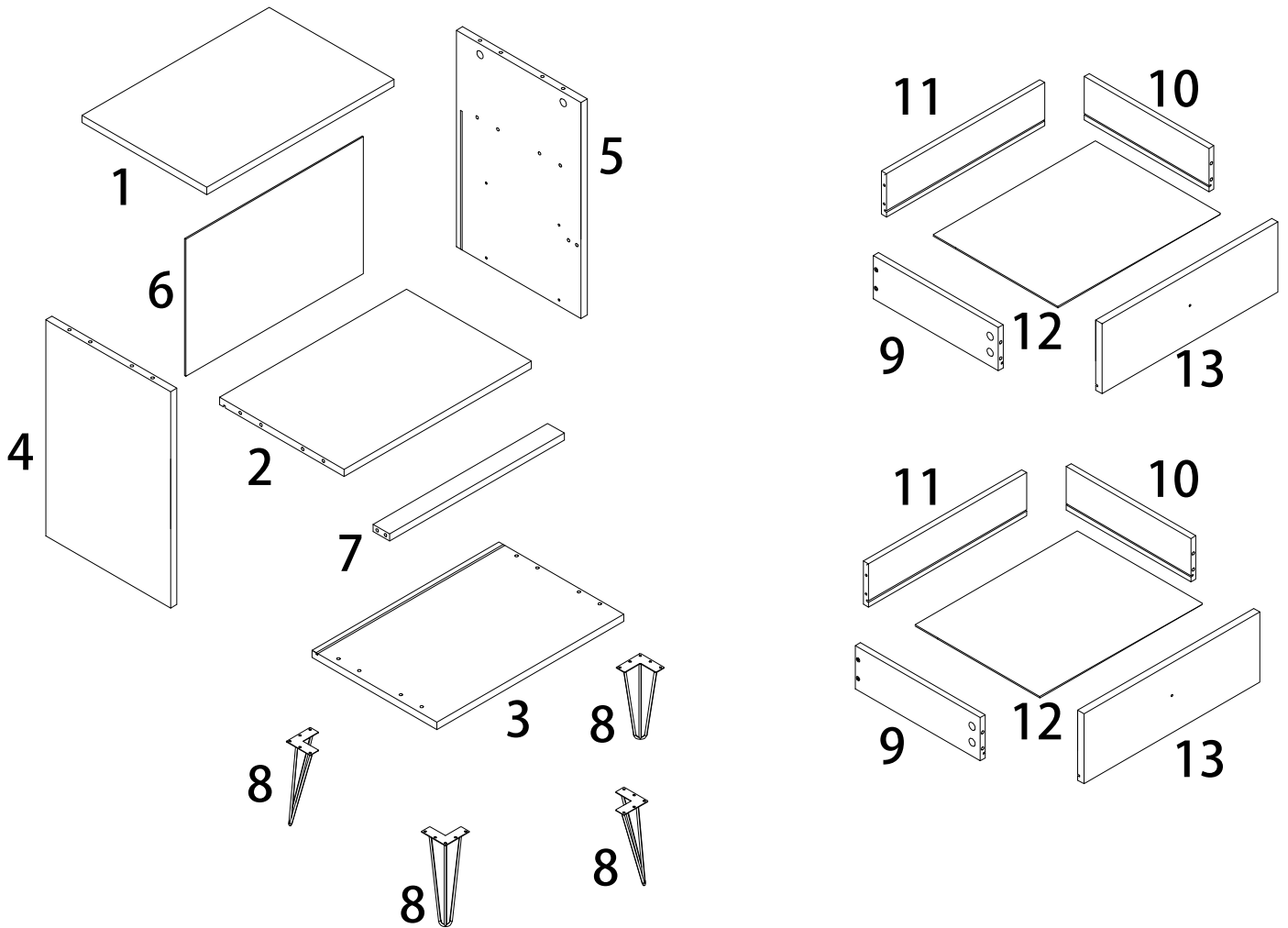
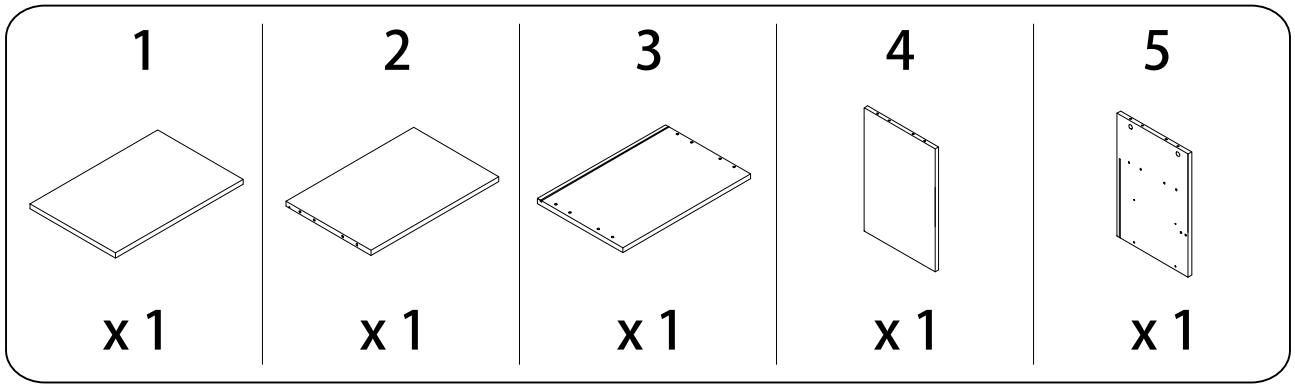
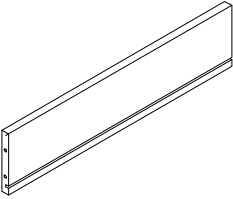
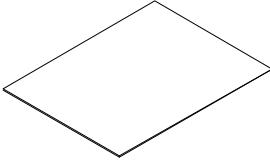
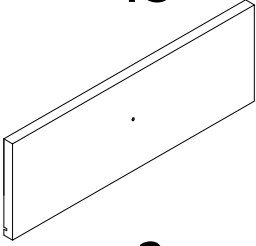

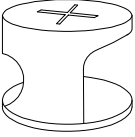
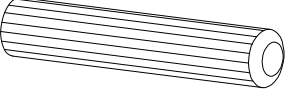
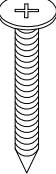
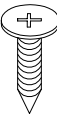
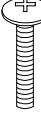
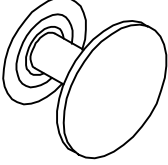
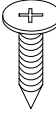
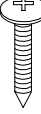
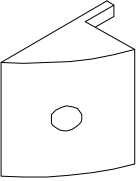
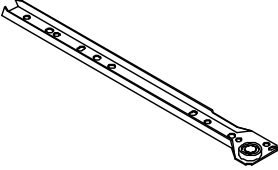
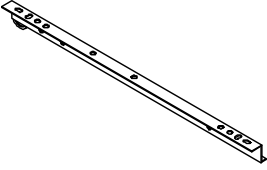
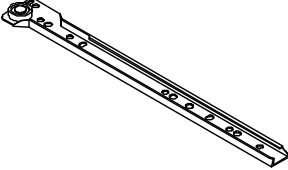
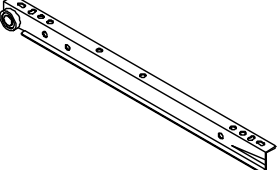
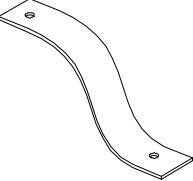
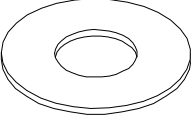
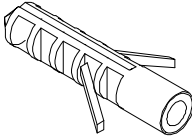




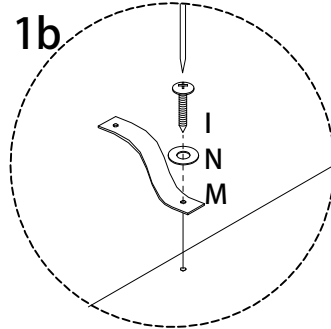
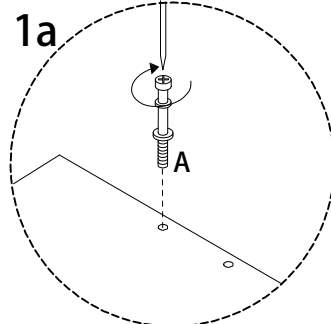
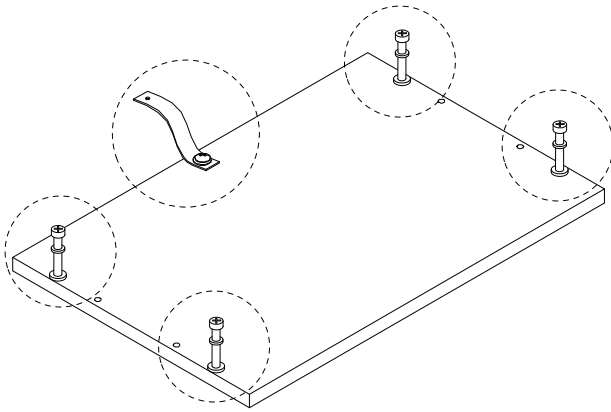
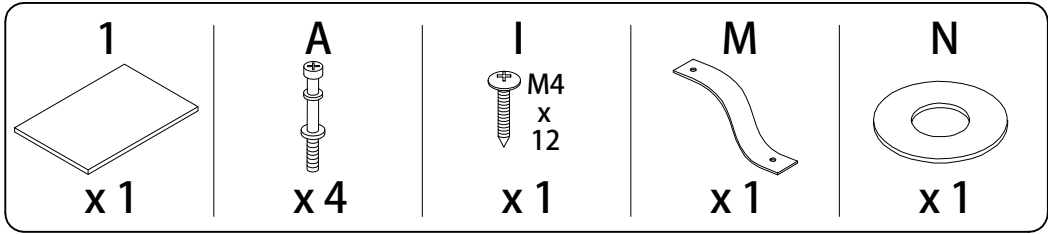
Assembly instructions for step 1/14:

- Tools: A screwdriver is required. A power drill is not required (indicated by a diagonal line through the drill icon).
- Warning: A warning triangle with an exclamation mark is shown.
- Time: The step takes 50 minutes, indicated by a clock icon and the number "50'".
- Personnel: One person is required, indicated by a person icon and the number "1".
- Diagram: A diagram shows a rectangular block being placed on a textured surface. A second diagram shows the block being secured to the surface with a screw, with a diagonal line through the screw icon indicating it is not required.

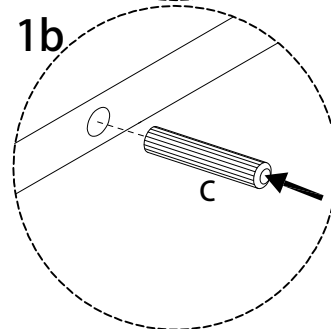
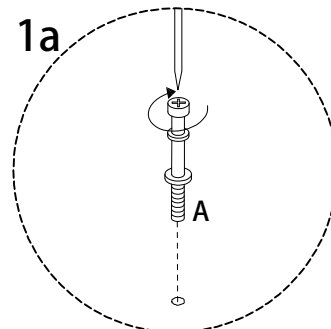
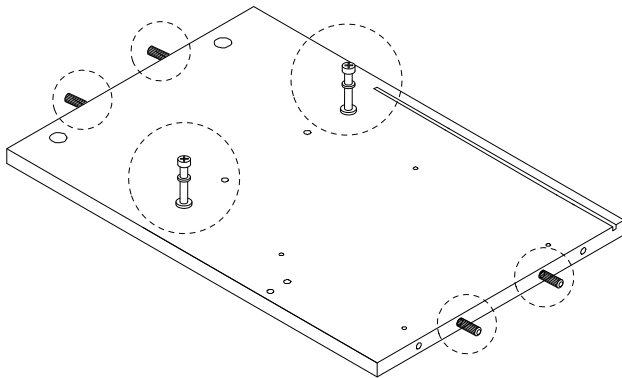
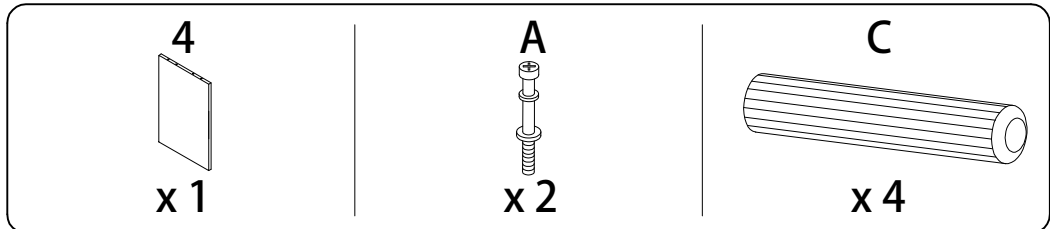


<p>11</p>  <p>x 2</p>	<p>12</p>  <p>x 2</p>	<p>13</p>  <p>x 2</p>	<p>A</p>  <p>x 16</p>
<p>B</p>  <p>x 16</p>	<p>C</p>  <p>x 16</p>	<p>D</p>  <p>M4 x 40</p> <p>x 13</p>	<p>E</p>  <p>M3.5 x 12</p> <p>x 16</p>
<p>F</p>  <p>M4 x 16</p> <p>x 2</p>	<p>G</p>  <p>x 2</p>	<p>H</p>  <p>M3 x 14</p> <p>x 4</p>	<p>I</p>  <p>M4 x 12</p> <p>x 21</p>
<p>J</p>  <p>x 4</p>	<p>K1</p>  <p>x 2</p>	<p>K2</p>  <p>x 2</p>	<p>L1</p>  <p>x 2</p>
<p>L2</p>  <p>x 2</p>	<p>M</p>  <p>x 1</p>	<p>N</p>  <p>x 2</p>	<p>O</p>  <p>x 1</p>

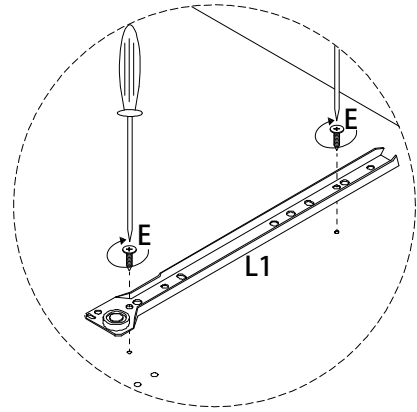
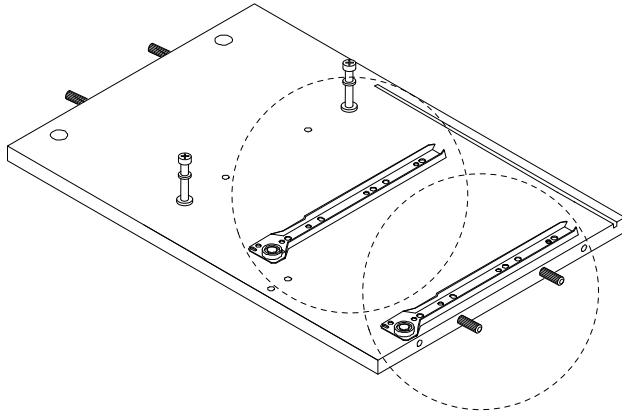
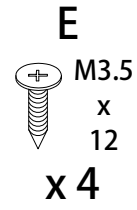
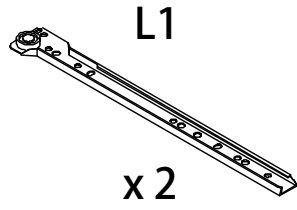
1



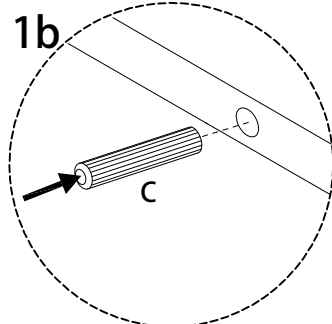
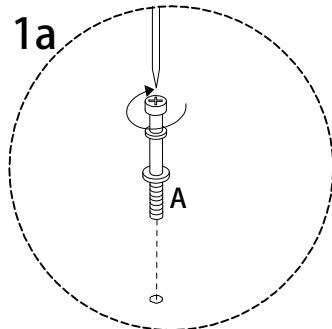
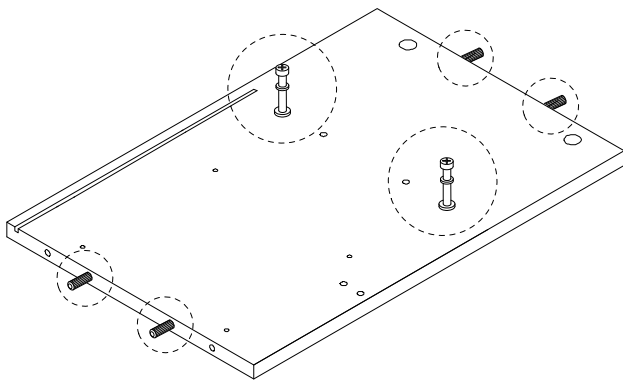
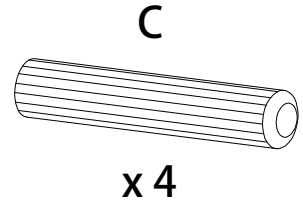
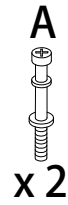
2



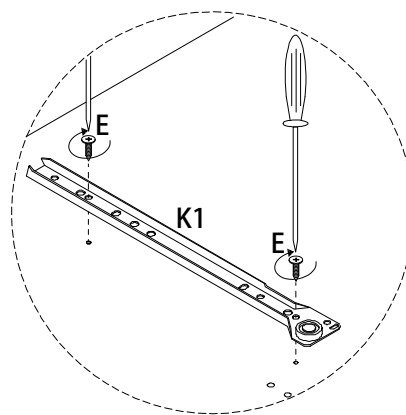
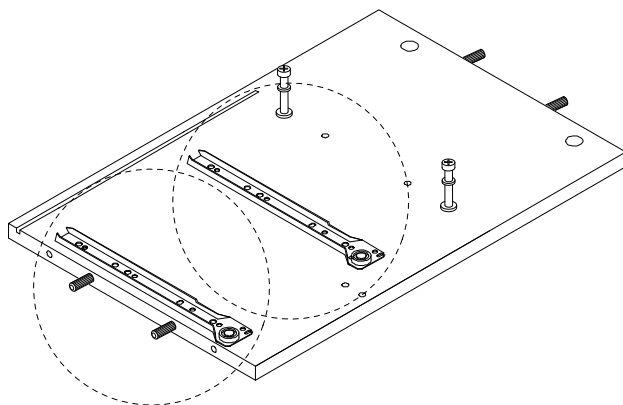
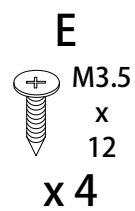
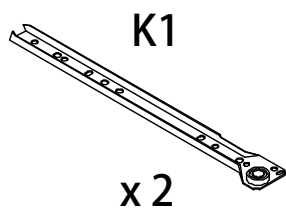
3



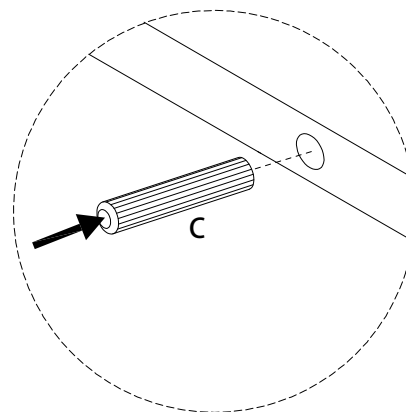
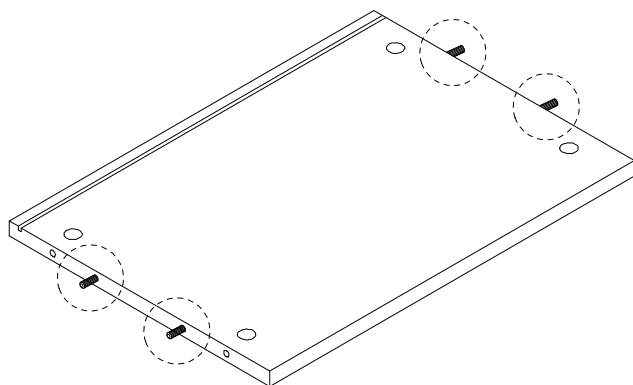
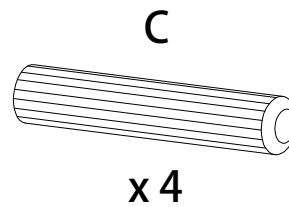
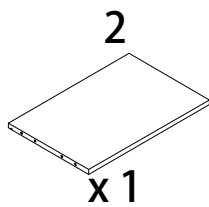
4



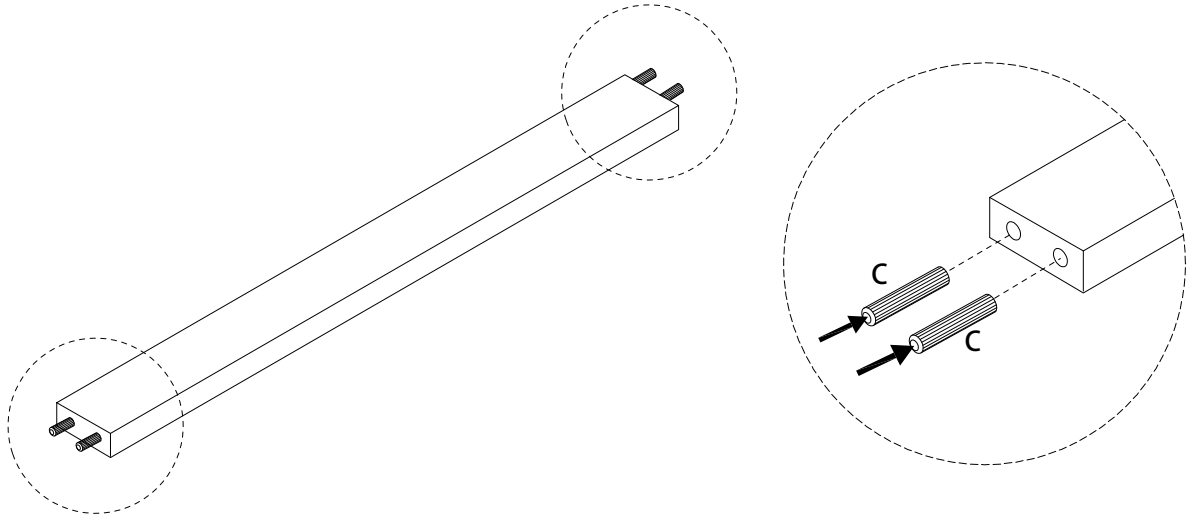
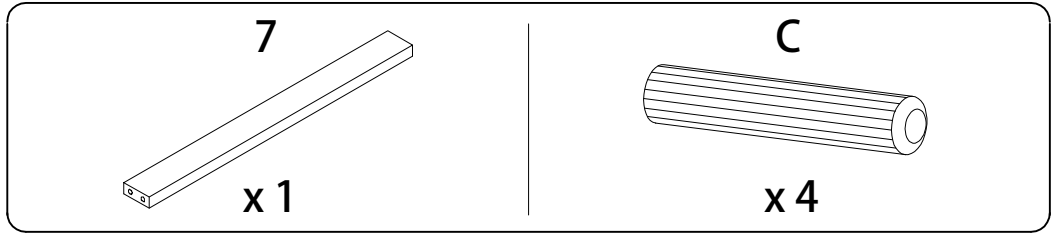
5



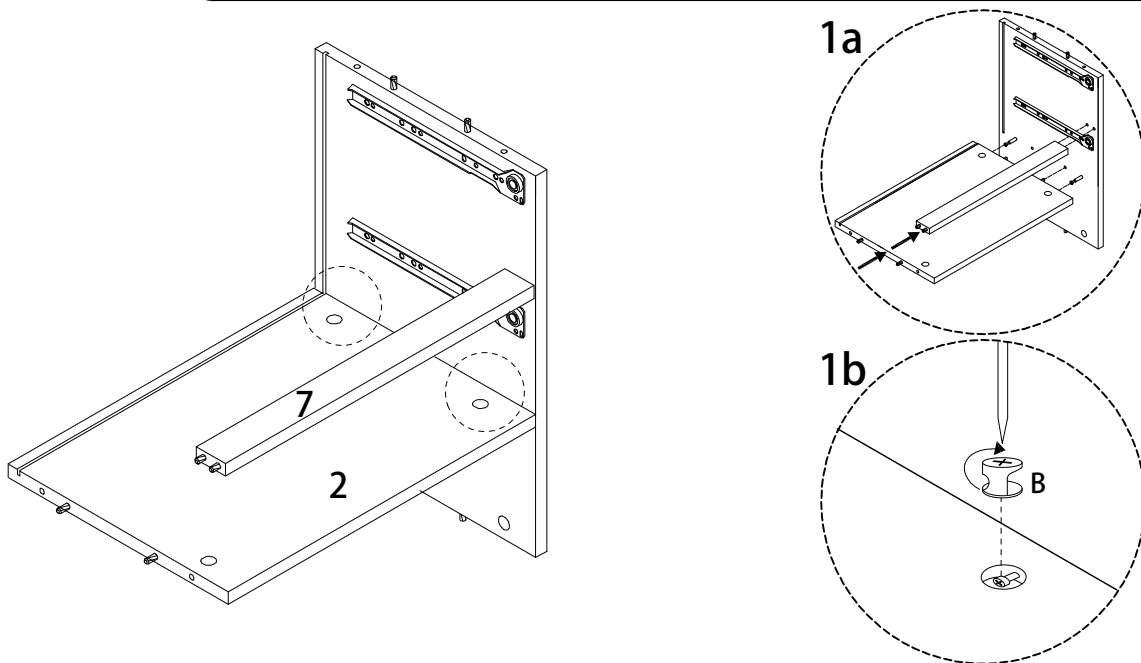
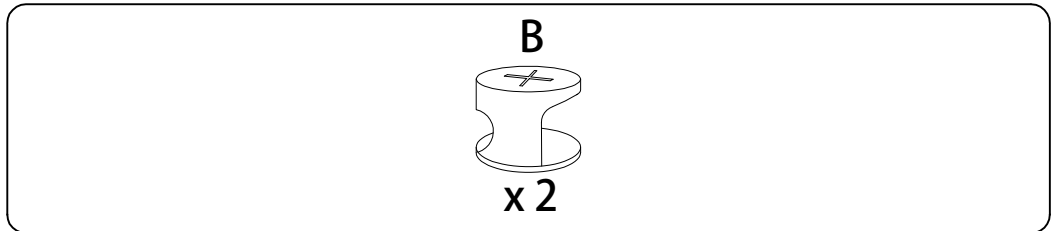
6



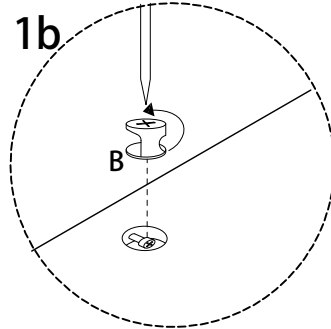
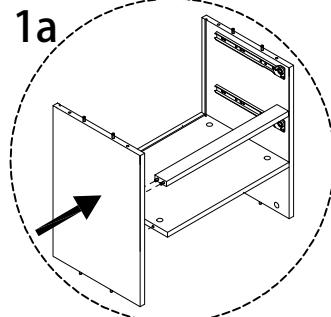
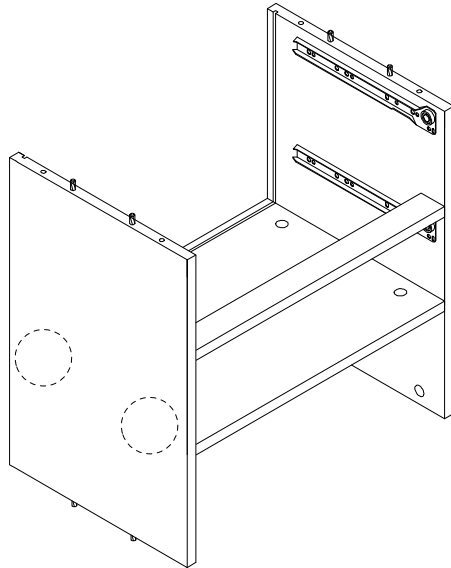
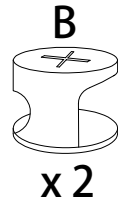
7



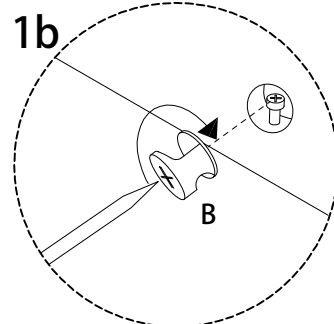
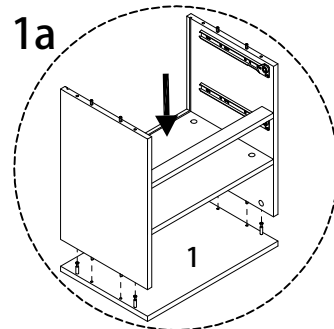
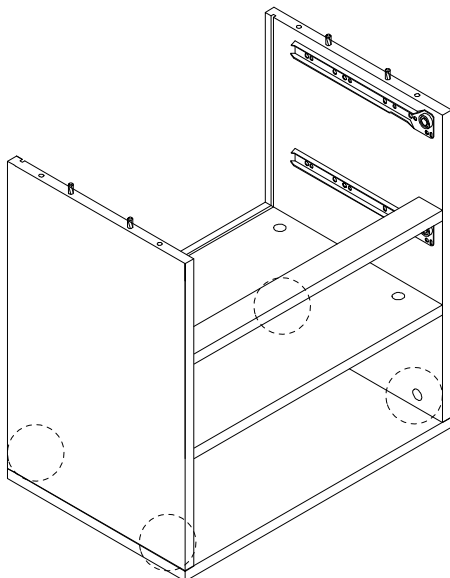
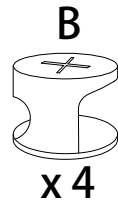
8



9

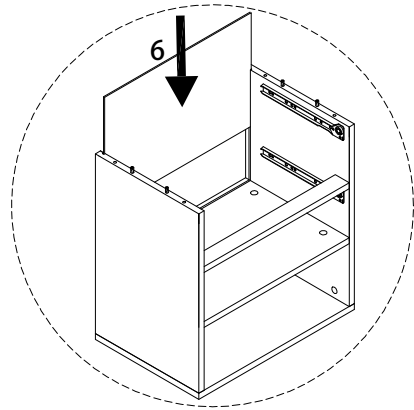
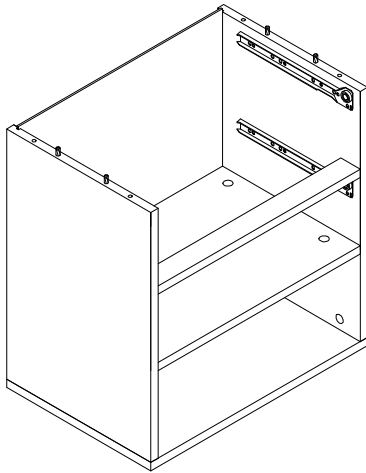
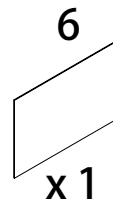


10

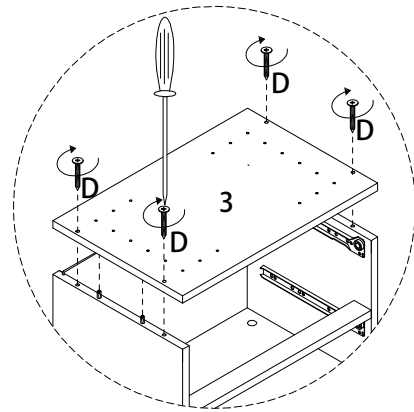
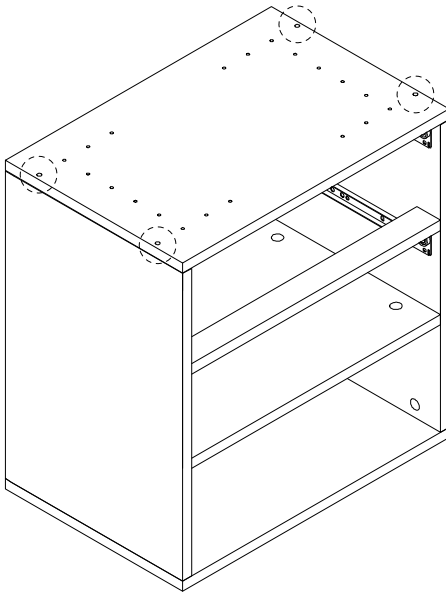
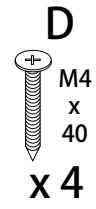
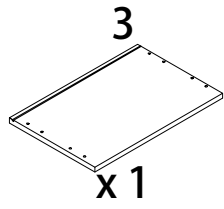




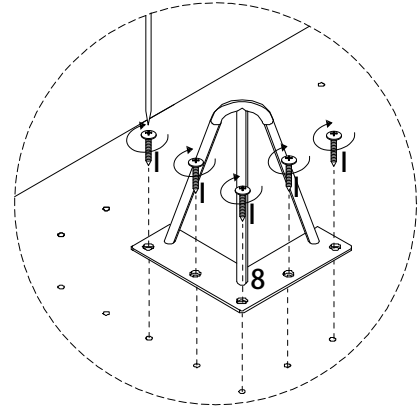
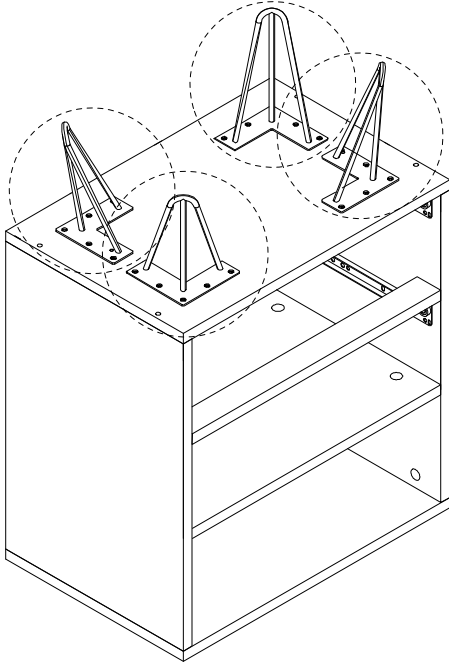
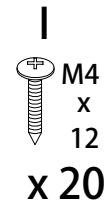
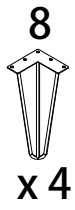
11



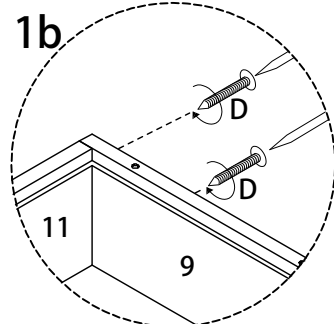
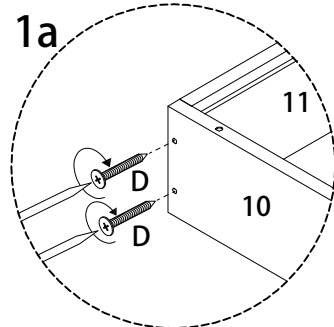
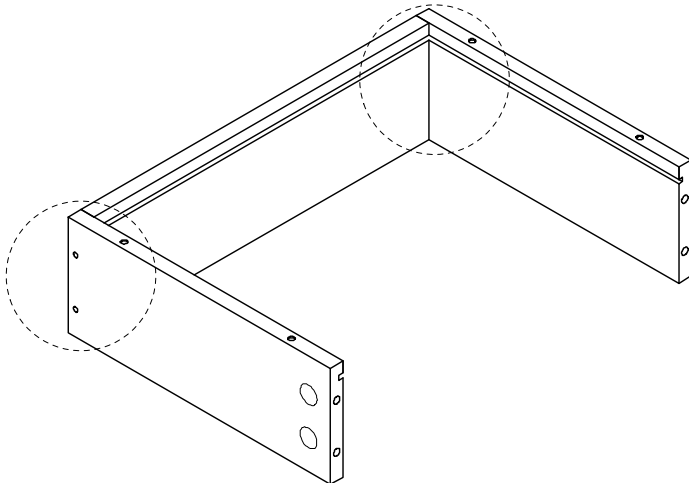
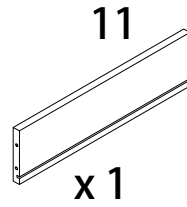
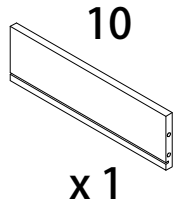
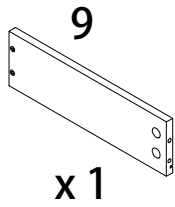
12



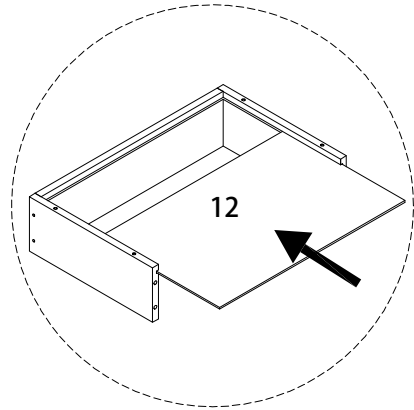
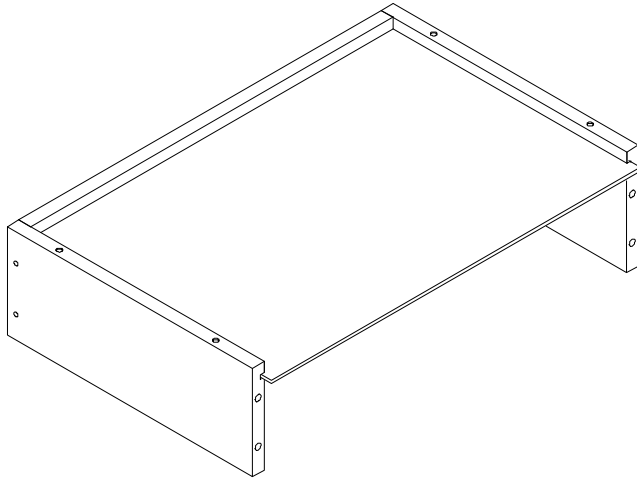
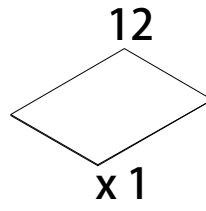
13



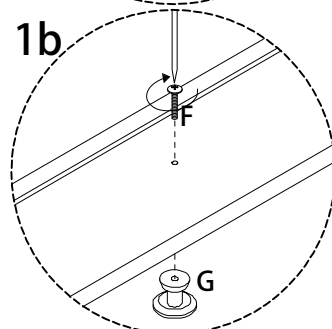
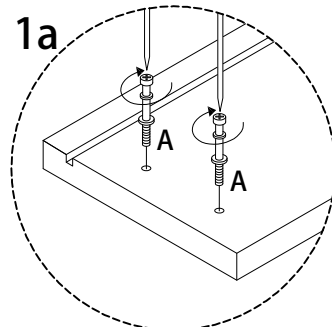
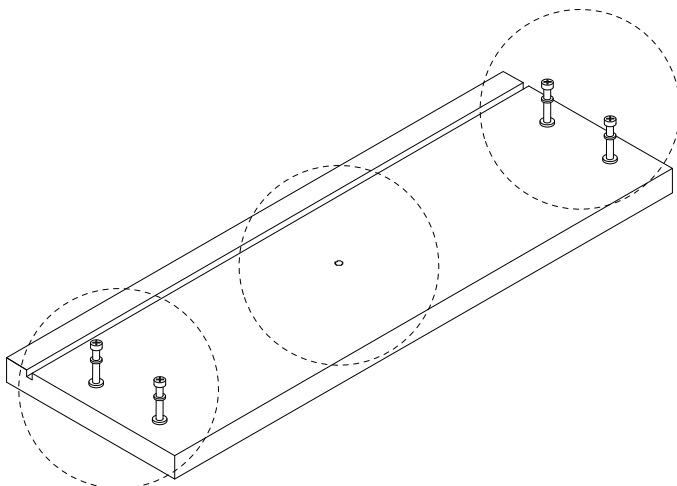
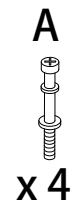
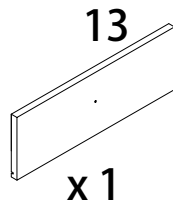
14 x 2



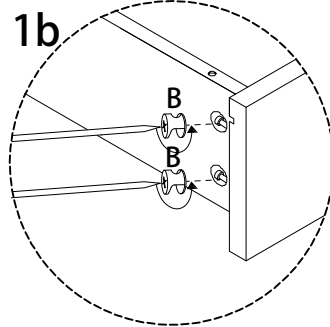
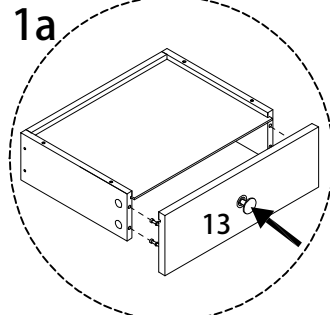
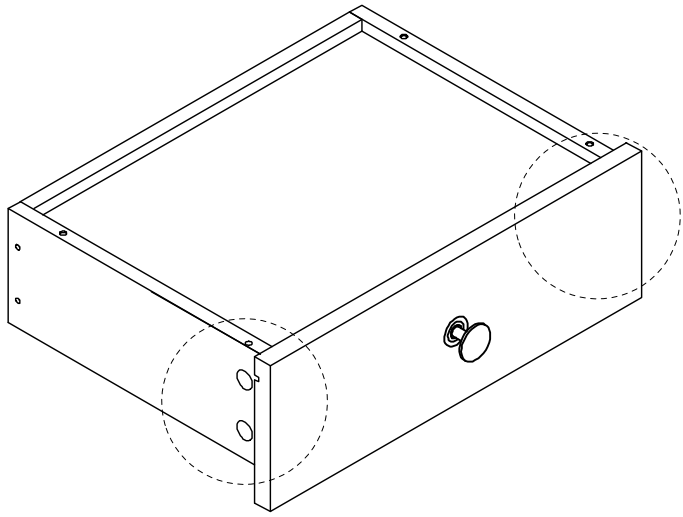
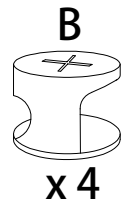
15 x2



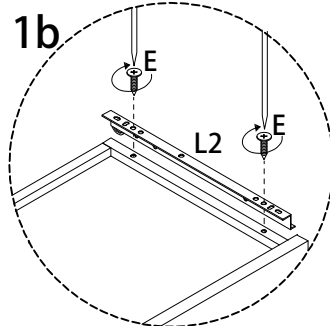
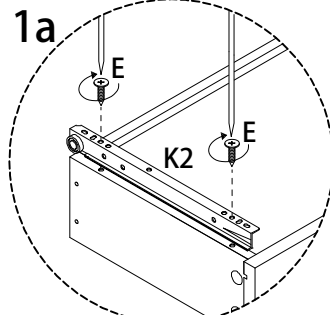
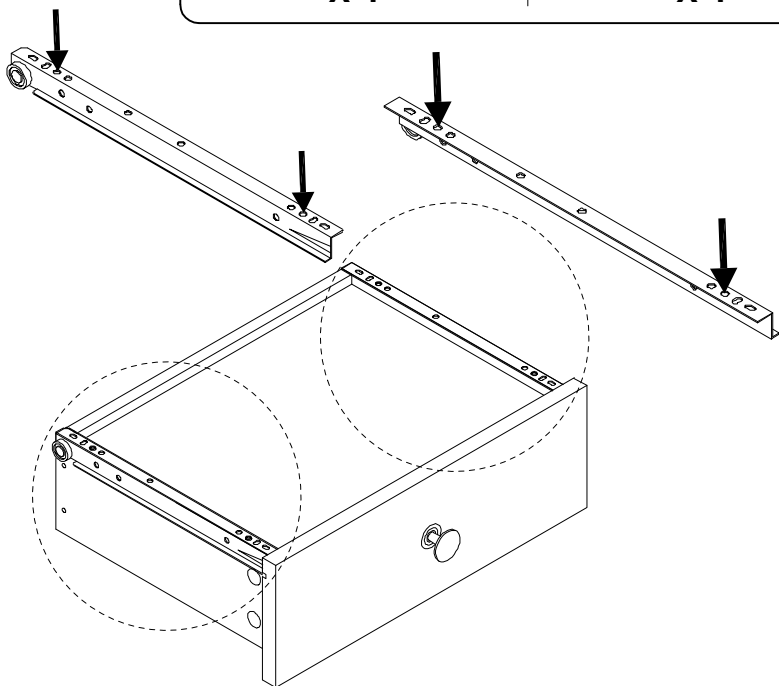
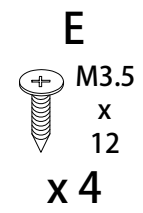
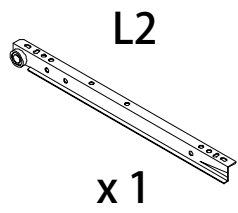
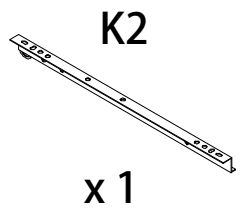
16 x2



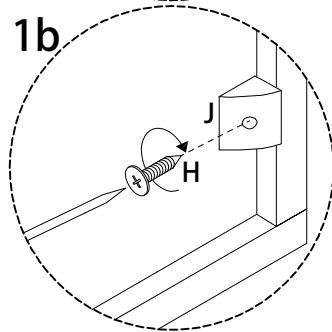
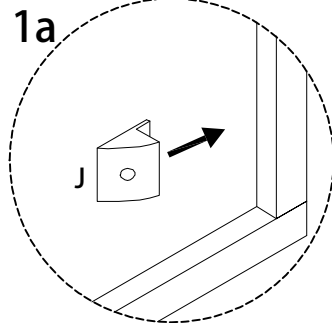
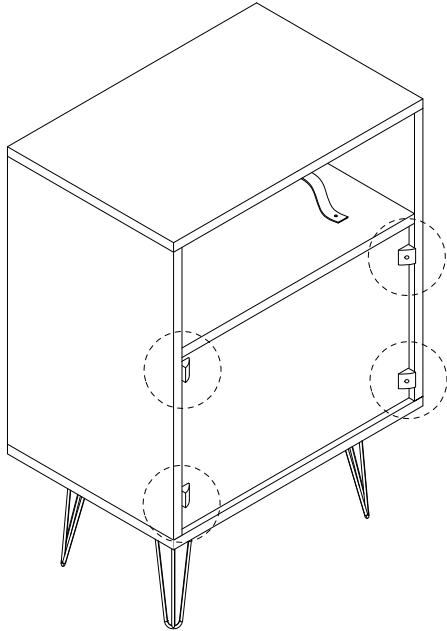
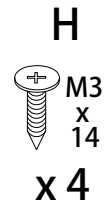
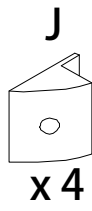
17 x2



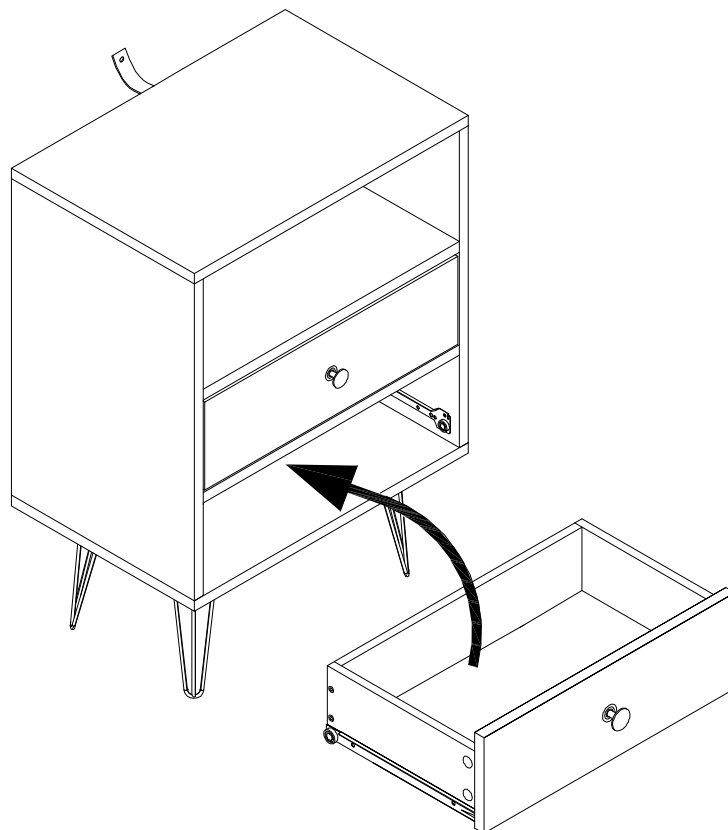
18 x2



19



20



21

