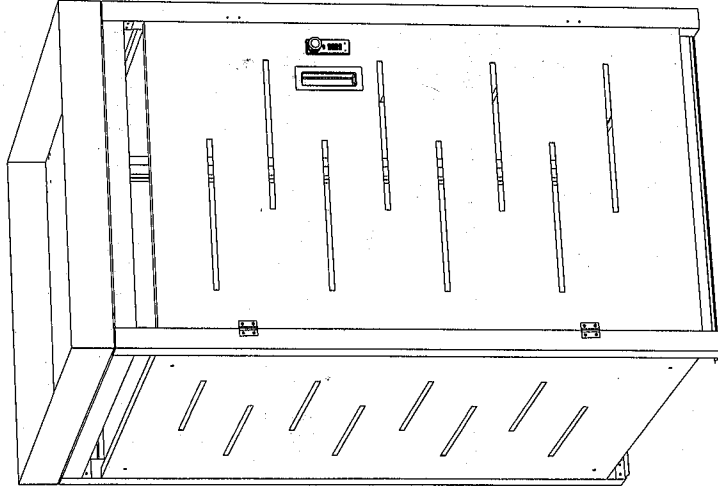


Aufbauanleitung
Assembly Instructions

Garbage Bin
Model Number:

HM-NGB-1, HM-XNGB-1

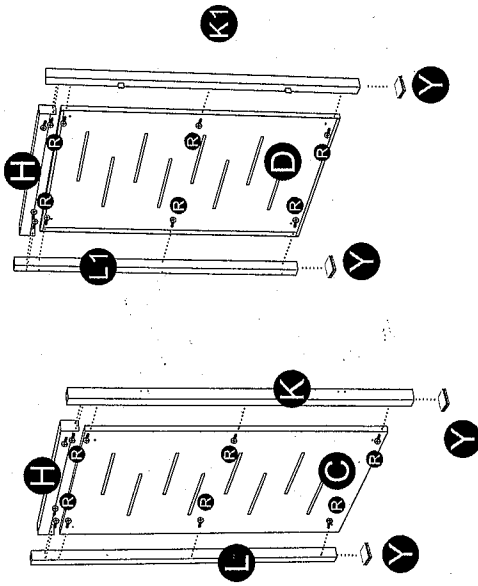
Item Number #73374, #73375, #73384, #73385



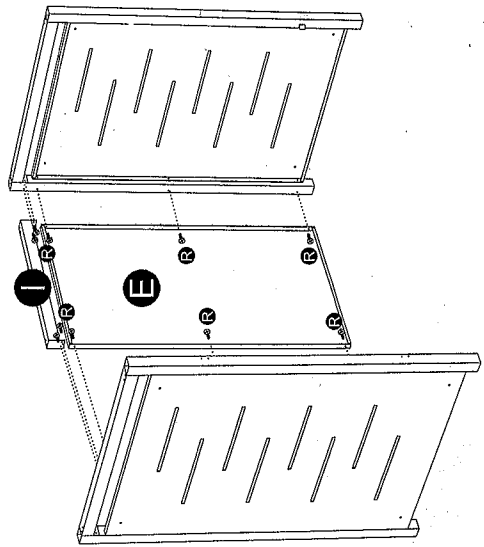
Mendler Vertriebs-GmbH
Industriestr. 60
73642 Weizheim

fragen@heute-wohnen.de
www.heute-wohnen.de

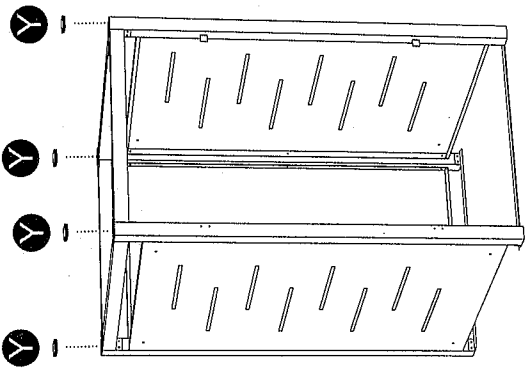
1



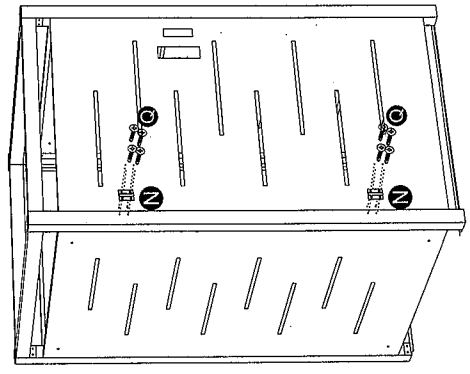
2



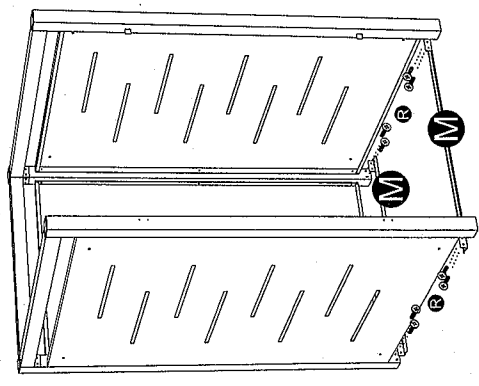
- | | | | | | |
|----------------|-----------------|----------------|-----------------|-----------------|-----------------|
| A
1x | B
1x | C
1x | D
1x | E
1x | F
1x |
| G
8x | H
42x | I
2x | J
2x | K
1x | K1
1x |
| L
1x | M
2x | N
2x | O
1x | P
20x | Q
4x |
| R
8x | S
4x | T
4x | U
4x | V
4x | W
1x |
| X
1x | Y
8x | Z
4x | AA
4x | AB
4x | AC
4x |



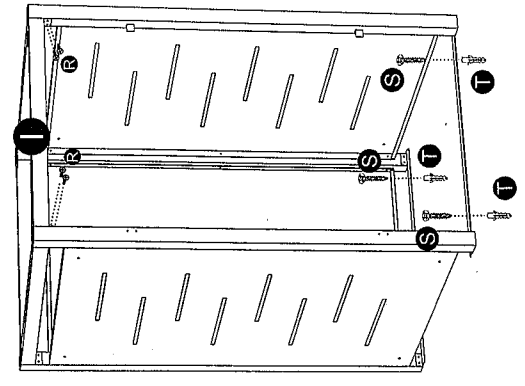
5



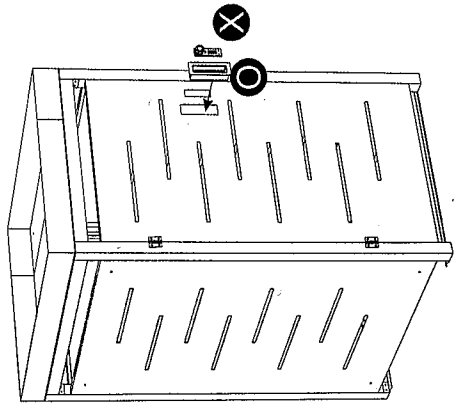
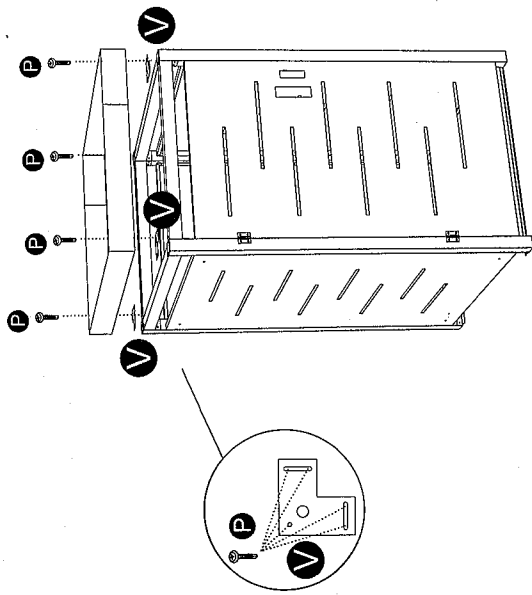
6



3



4



180

MECHANICAL LOCKER INSTRUCTION MANUAL

1. Lock & Unlock

1. ☺ = close
☹ = open

2. Turn the knob to OPEN position

3. Insert correct password to open

4. Turn the knob to OPEN position

5. OPEN
Now open the locker as OPEN position. For more details refer to the manual.

1. Turn the knob to close position

2. Insert correct password to close

3. Turn the knob to close position

4. Turn the knob to OPEN position

2. Password changing

6. 00000
10 ☺ = 116888

7. Turn the knob to close position

8. 116888
Now turn the knob to OPEN position

9. Front slide "LOCK RESET" back side and back side button to "PUSH" mode

10. 116888 = ✓
change your password

071

3. Password changing at private mode

11. ☺ = 116888
☹ = 88888

12. Turn the knob to close position

13. Turn the knob to close position

14. Front slide "LOCK RESET" back side and back side button to "PUSH" mode

15. 88888 = ✓
Password can not be changed

11. 116888
Correct password: 116888

13. 88888
Now turn the knob to OPEN position

14. Front slide "LOCK RESET" back side and back side button to "PUSH" mode

4. Password finding by emergency key

16. 16.1
16.2

17. Turn the knob to close position

18. Turn the knob to close position

19. 19.1
19.2
19.3

5. Password finding by emergency bar

20. Front slide "LOCK RESET" back side and back side button to "PUSH" mode

21. Turn the knob to close position

22. Turn the knob to close position

23. Turn the knob to close position

24. Turn the knob to close position

21. 21.1
21.2
21.3

24. Turn the knob to close position

Notes: This step can be performed only when the door is open.

