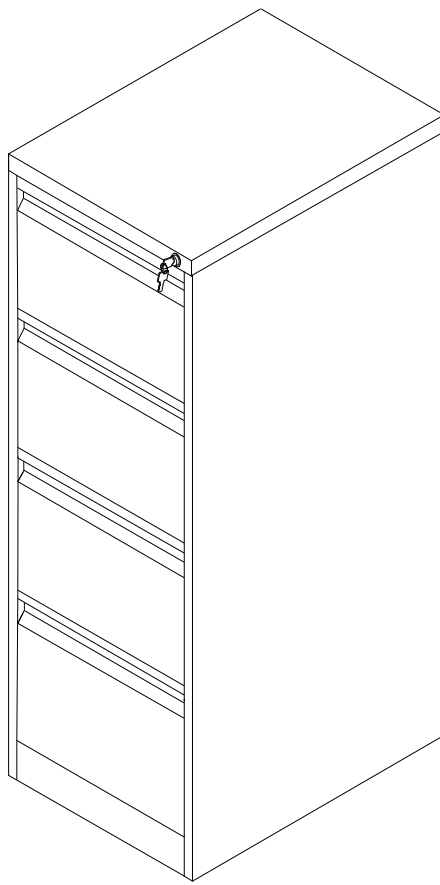
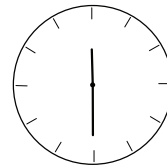
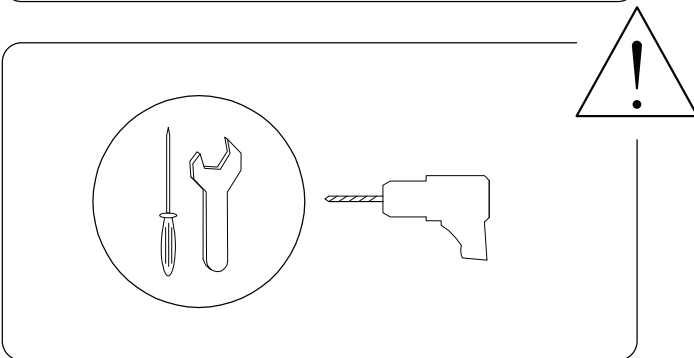
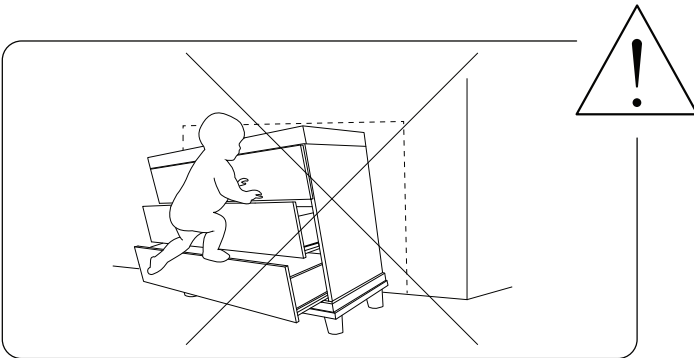
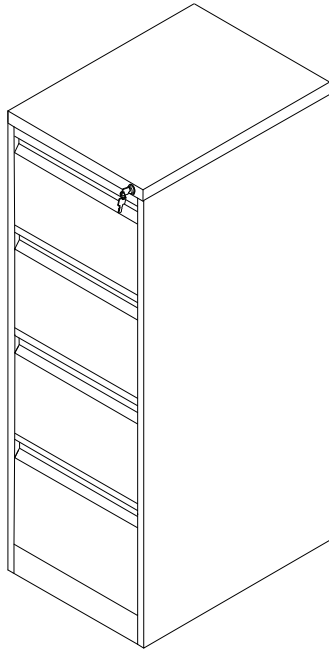
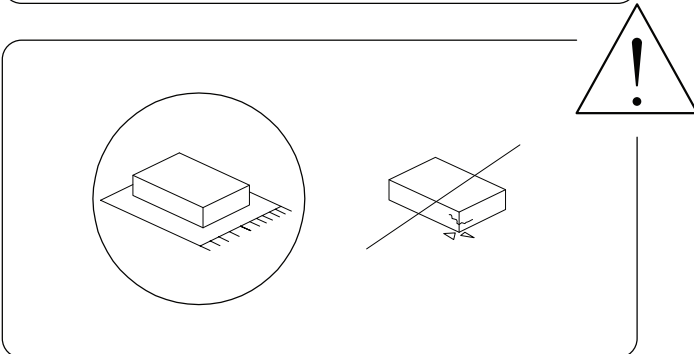


BARITE

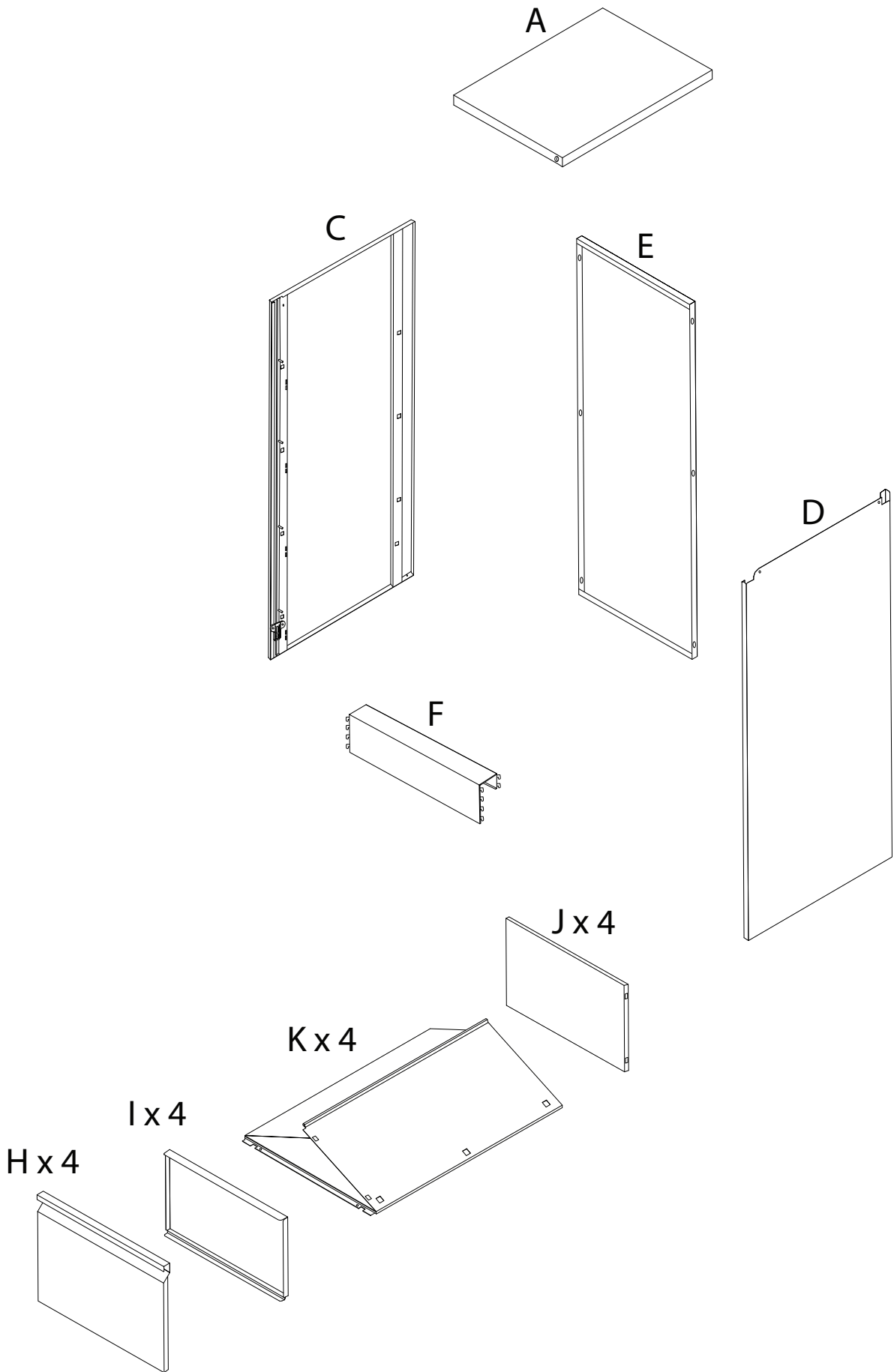


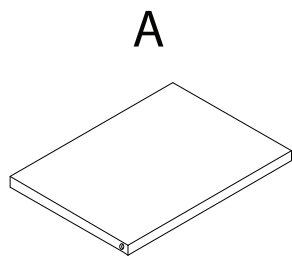


30'

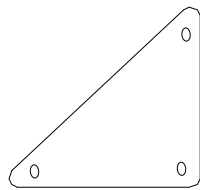


2





x 1



x 1



x 1



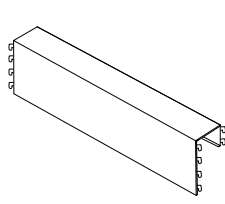
x 1

E



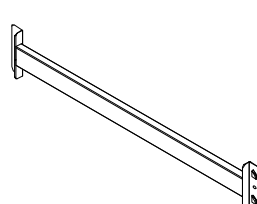
x 1

F



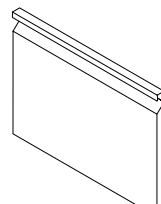
x 1

G



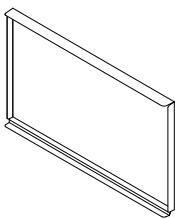
x 3

H



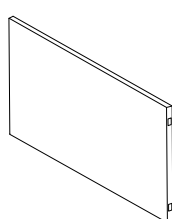
x 4

I



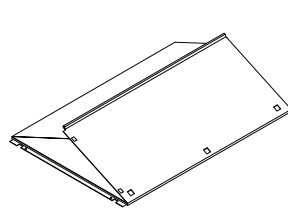
x 4

J



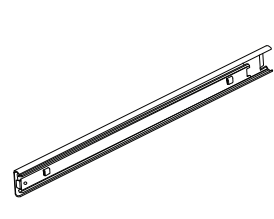
x 4

K



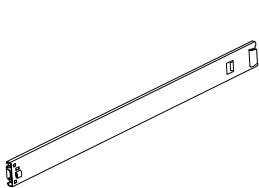
x 4

LR



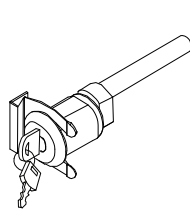
x 4

LL



x 4

M



x 1

R



x 1

S



x 1

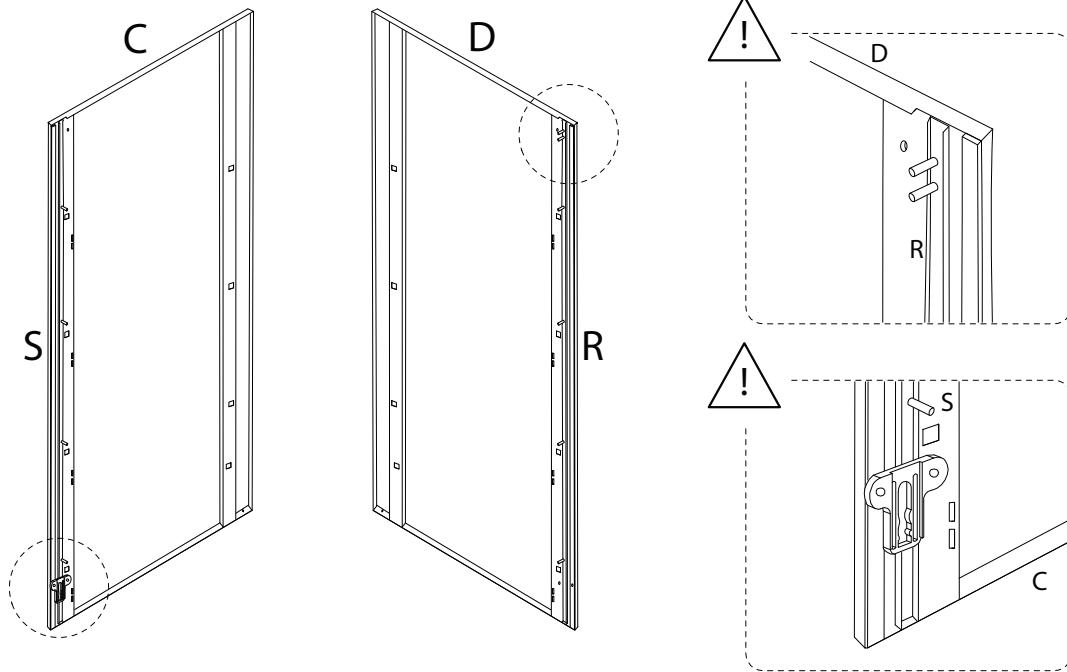
Y



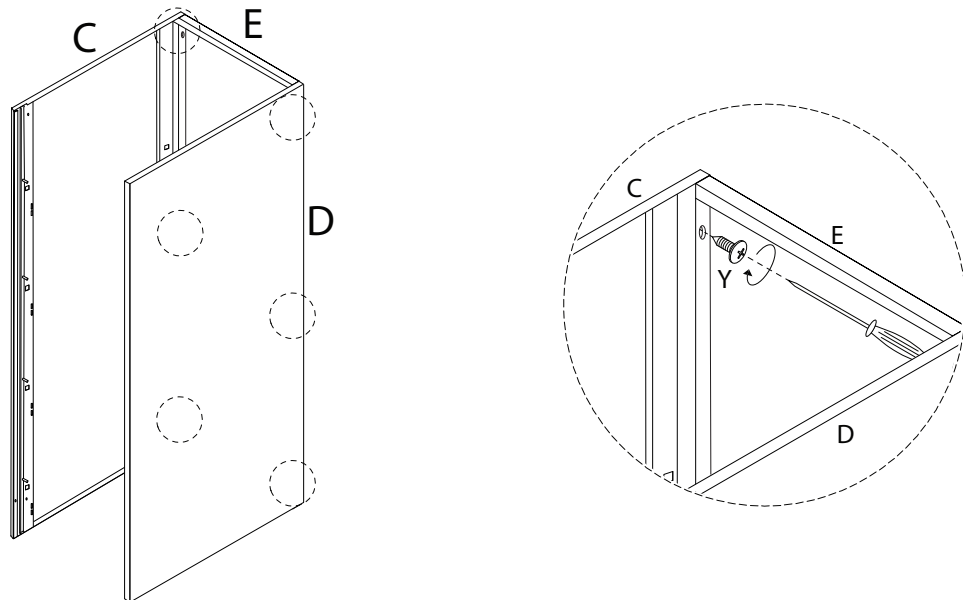
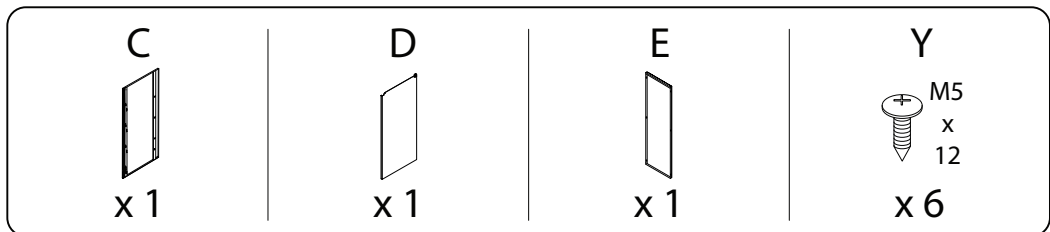
M5
x
12

x 10

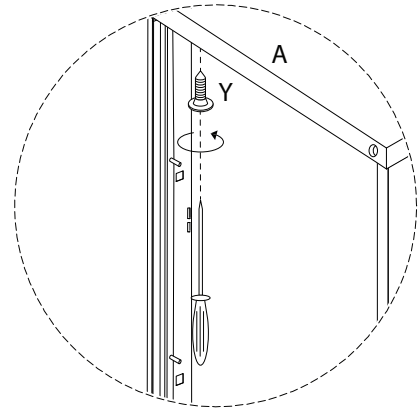
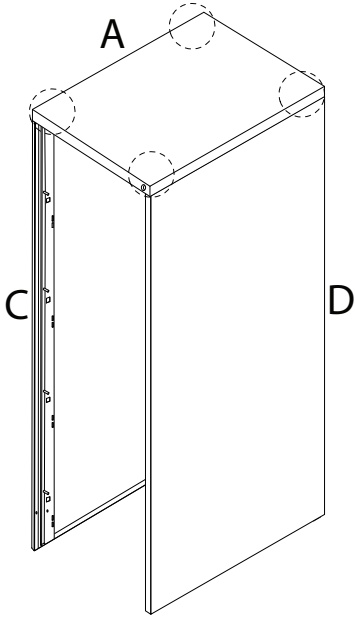
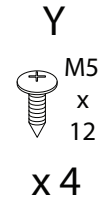
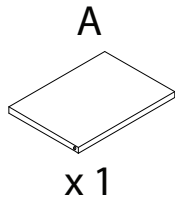
!



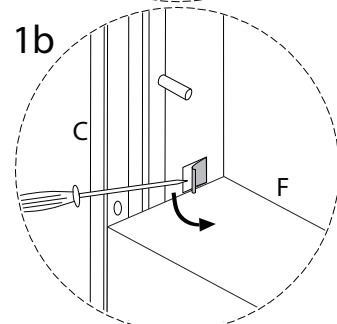
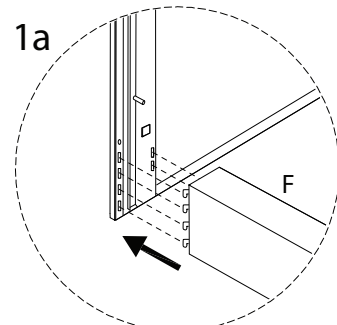
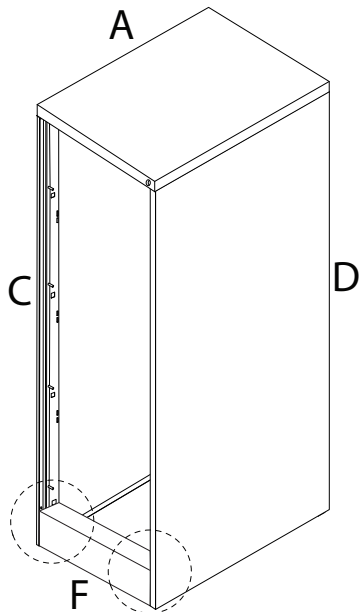
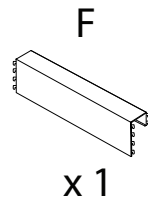
1



2

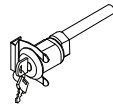


3

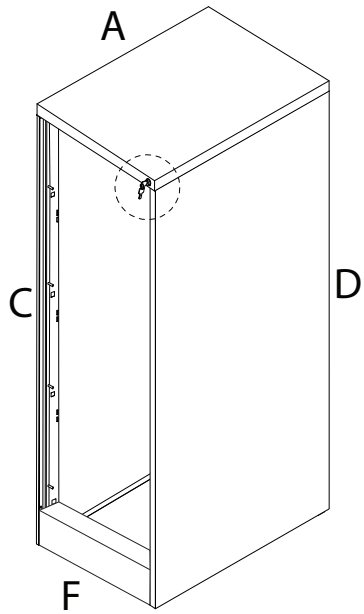


4

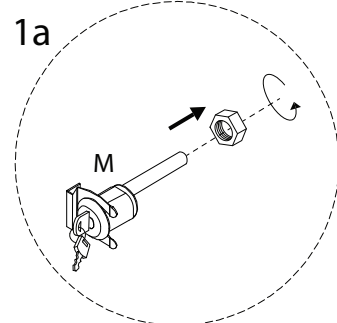
M



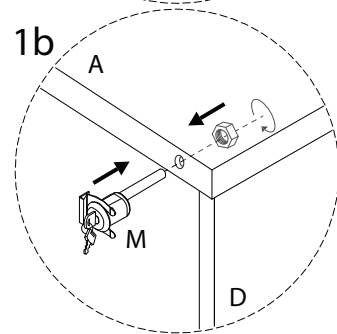
x 1



1a

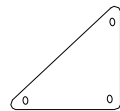


1b

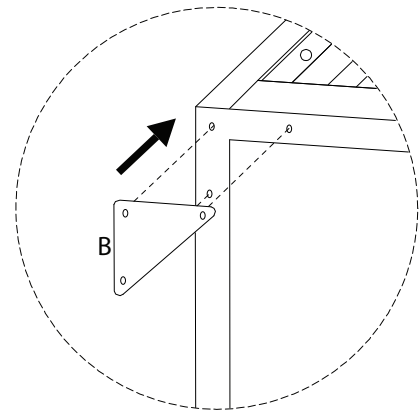
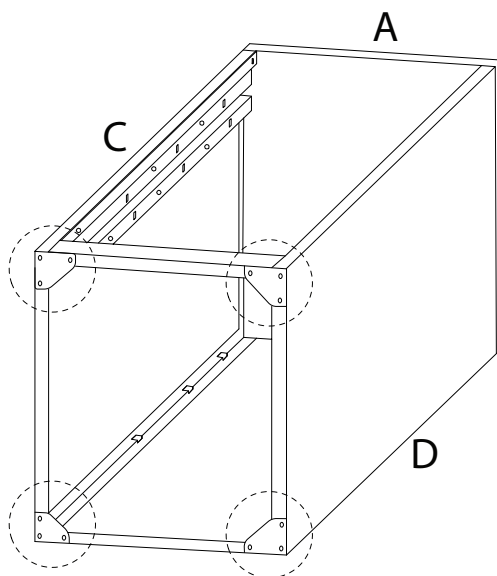


5

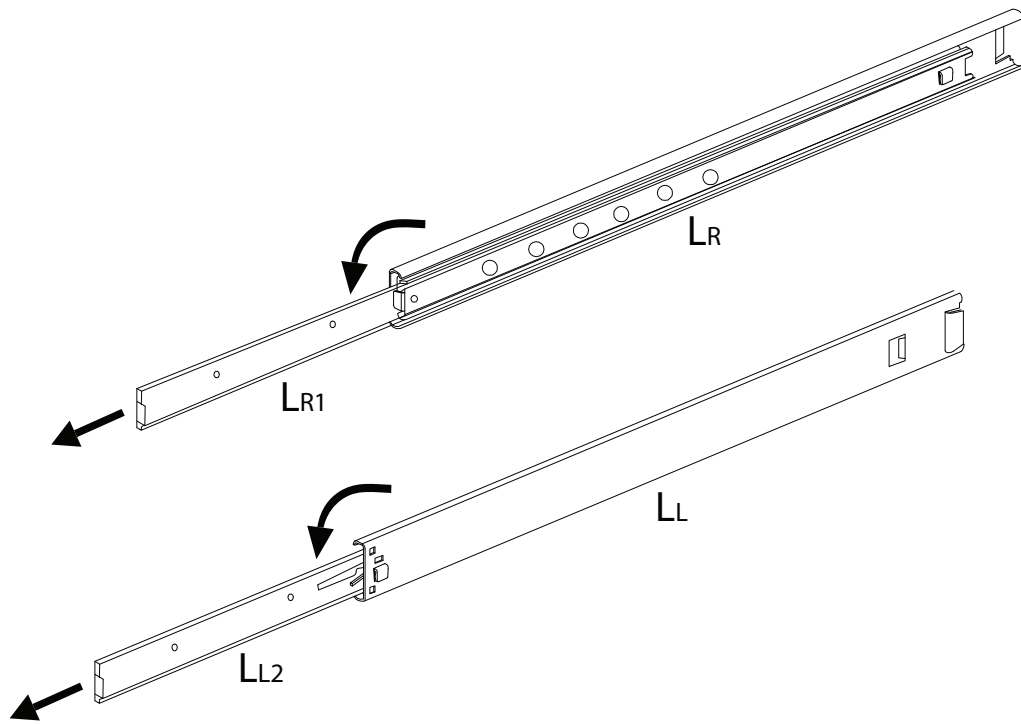
B



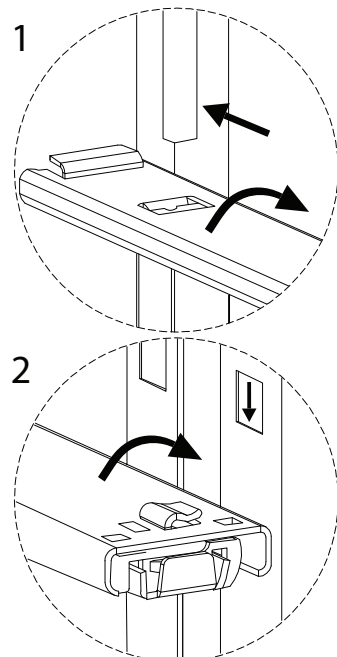
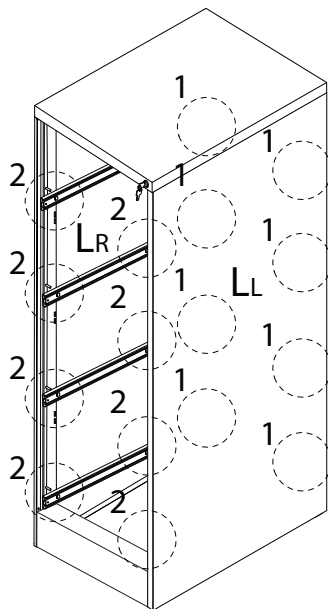
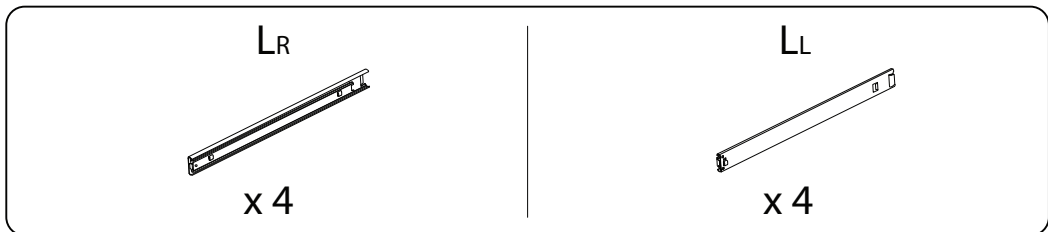
x 4



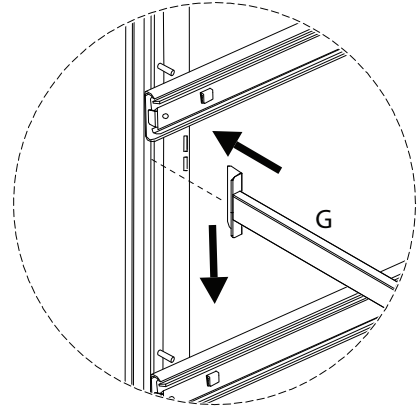
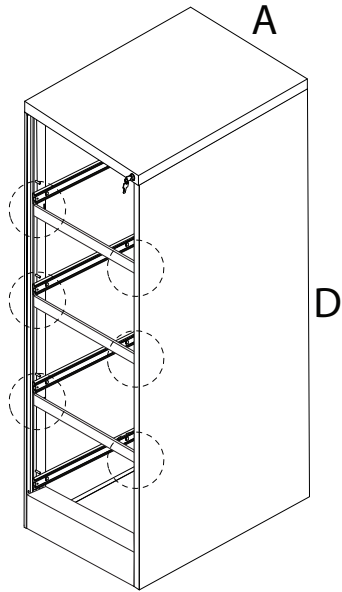
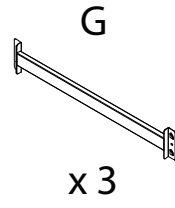
!



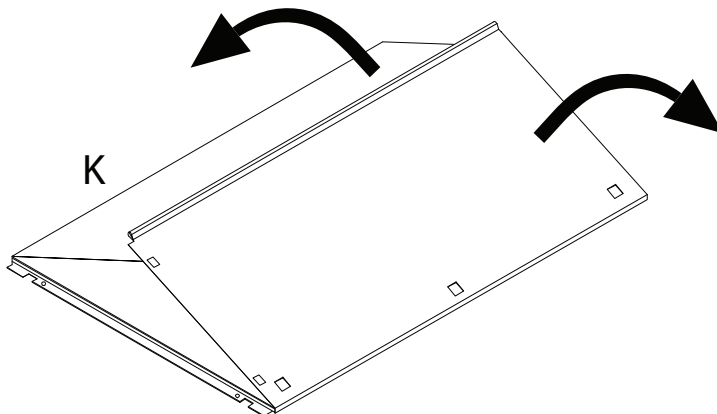
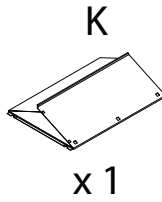
6



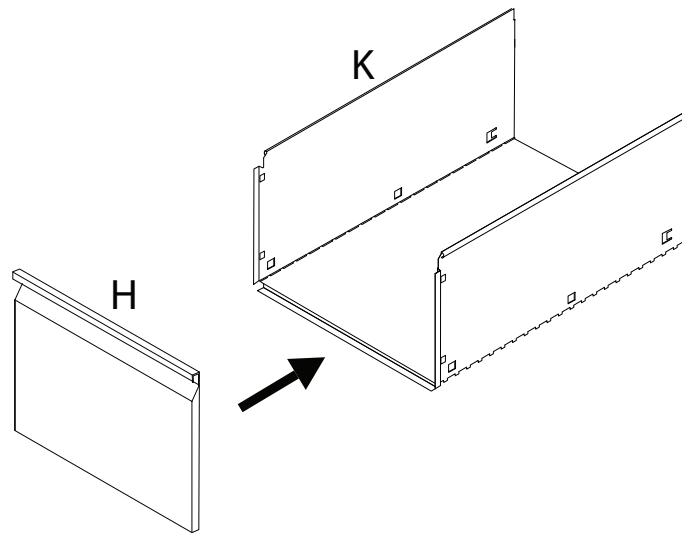
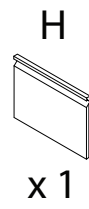
7



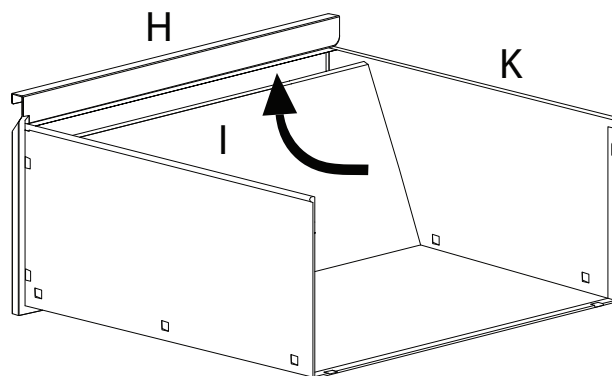
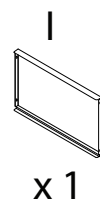
8 x 4



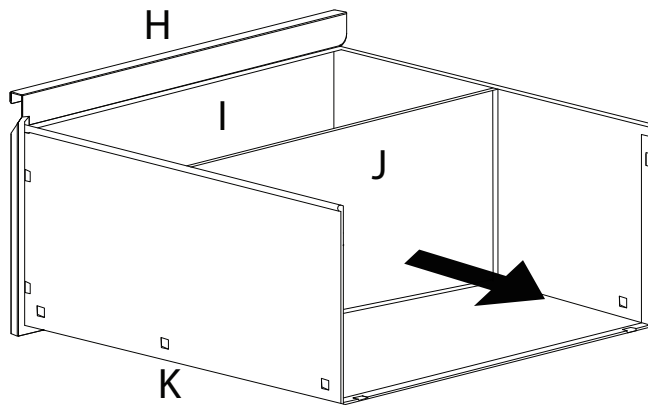
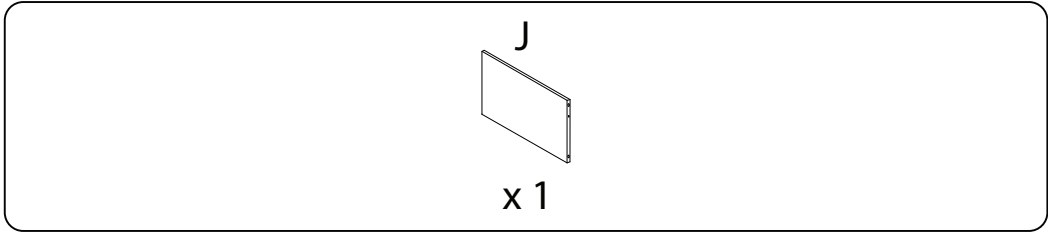
9 x 4



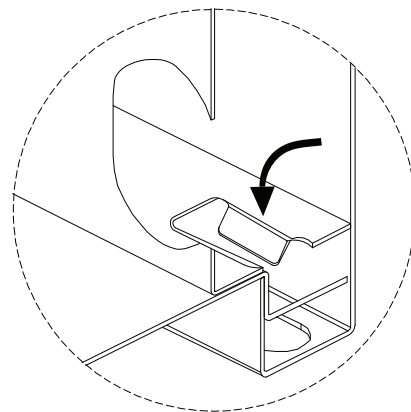
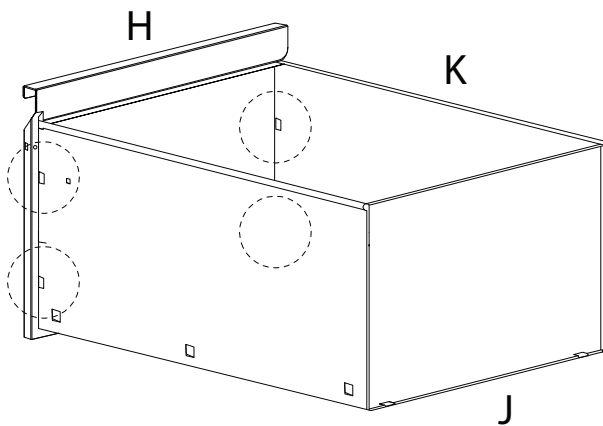
10 x 4



11 x 4

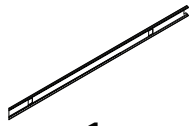


12 x 4



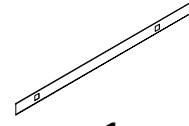
13 x 4

LR1

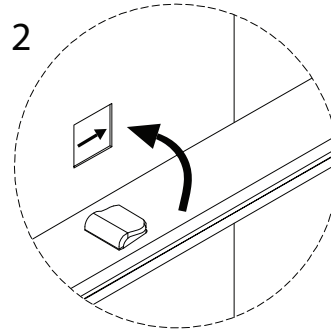
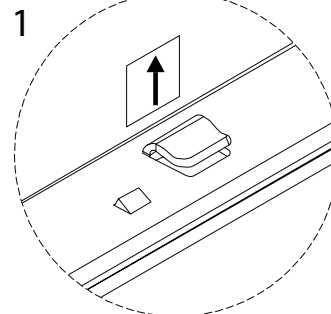
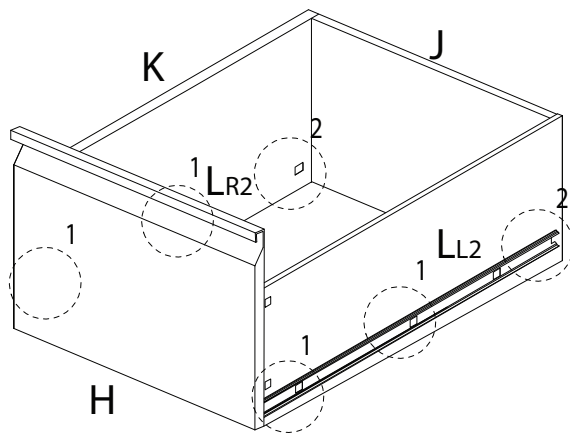


x 1

LL2



x 1



14

