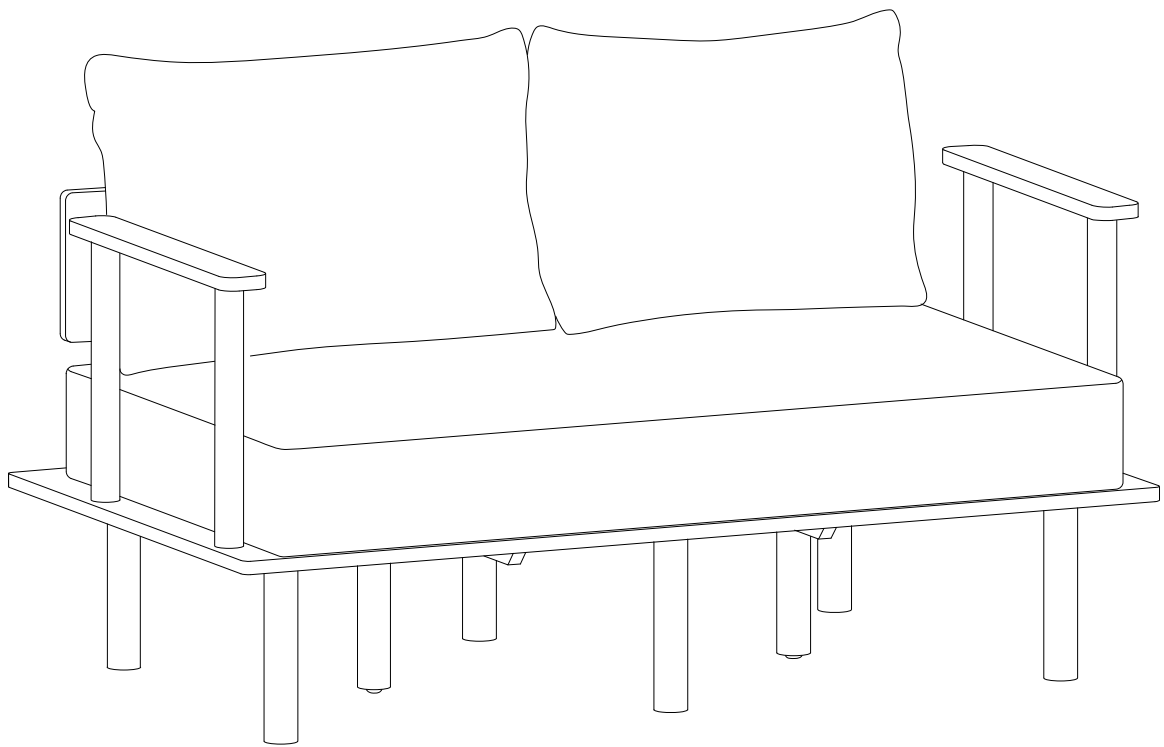
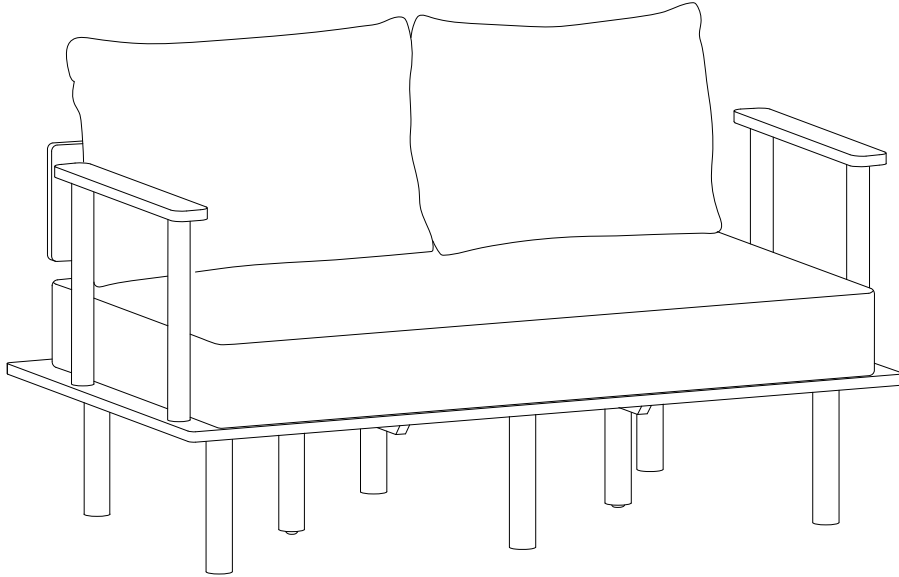
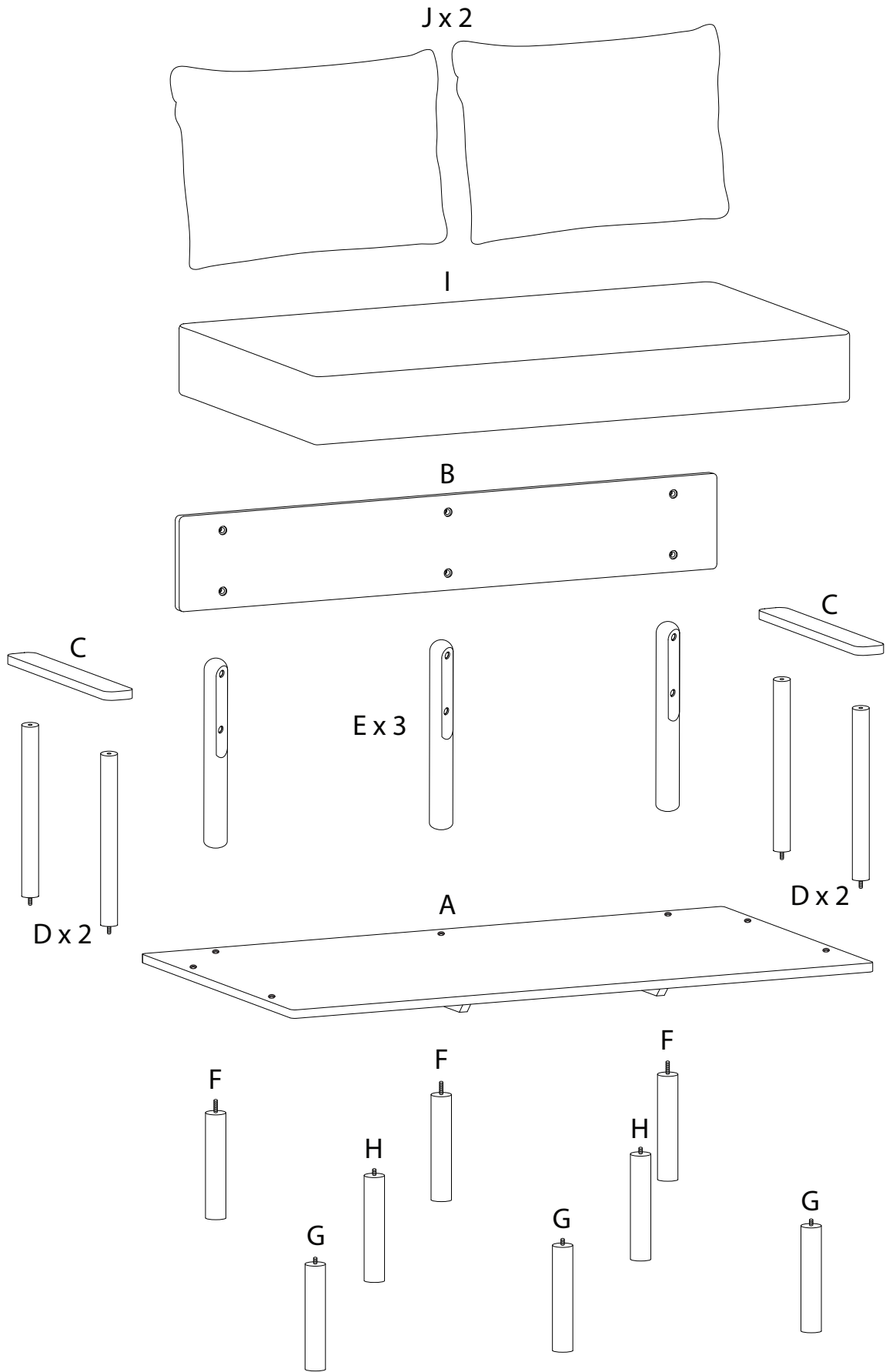


ASKER

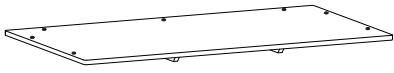




		30'
		2

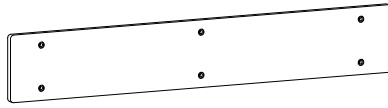


A



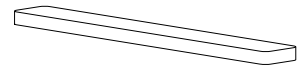
x 1

B



x 1

C



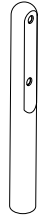
x 2

D



x 4

E



x 3

F



x 3

G



x 3

H



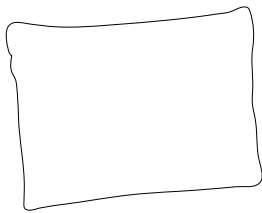
x 2

I



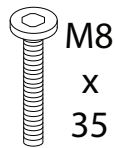
x 1

J



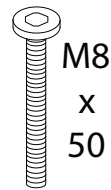
x 2

K



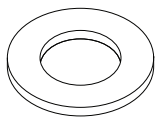
x 6

L



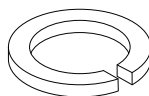
x 4

M



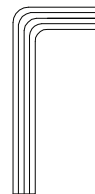
x 4

N



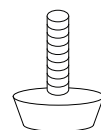
x 4

O



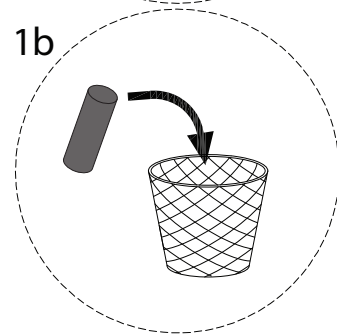
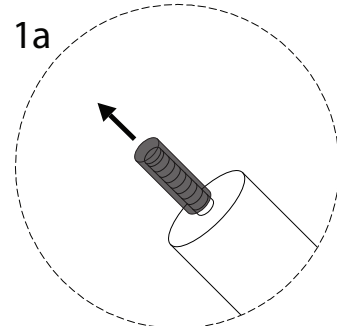
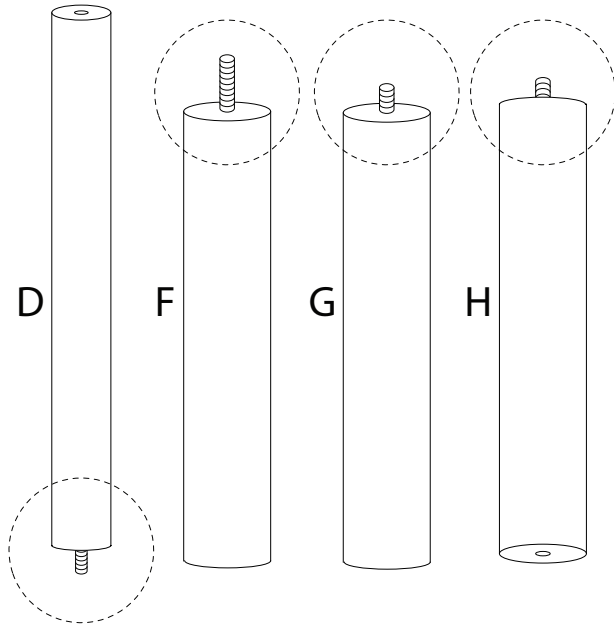
x 1

P

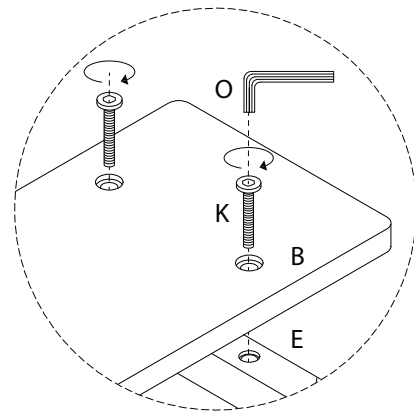
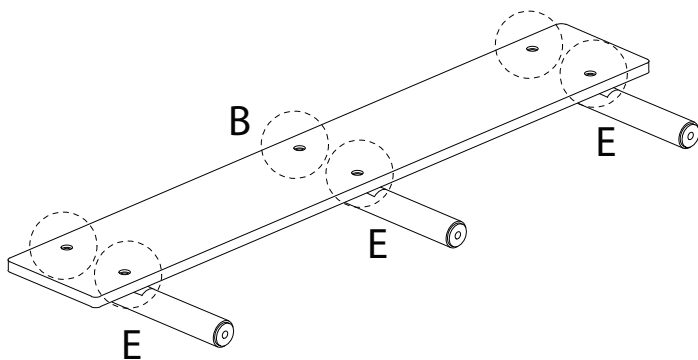
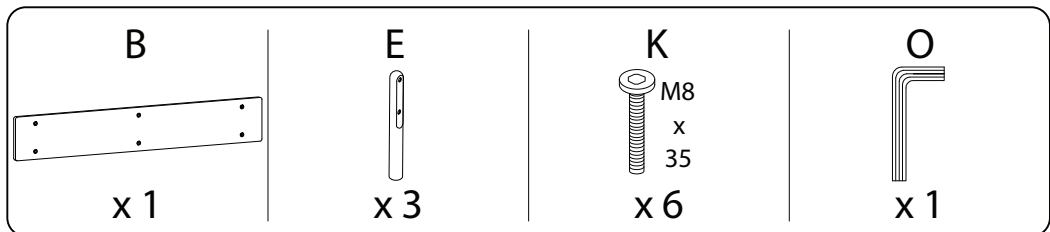


x 2

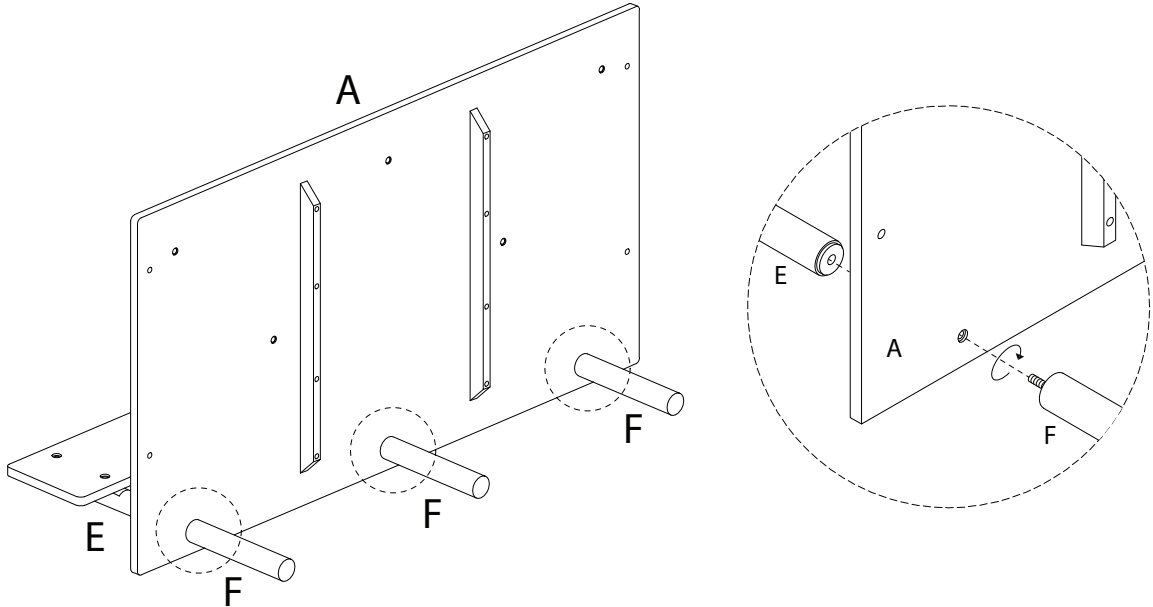
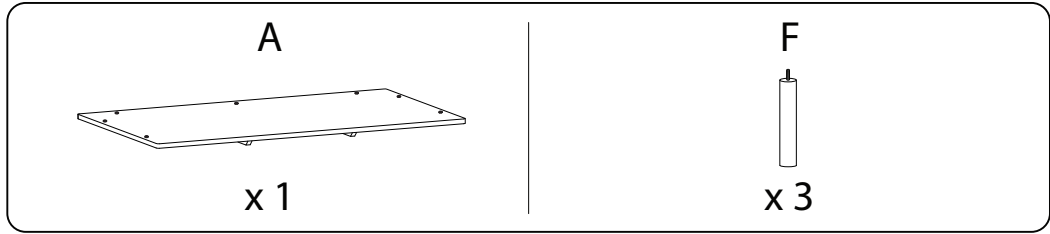
!



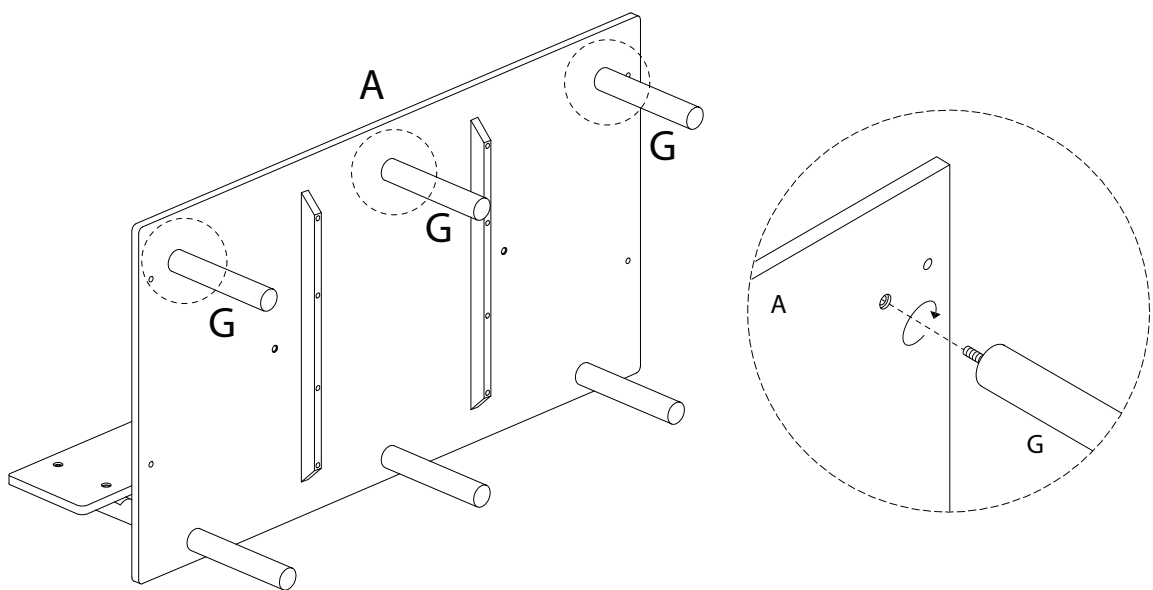
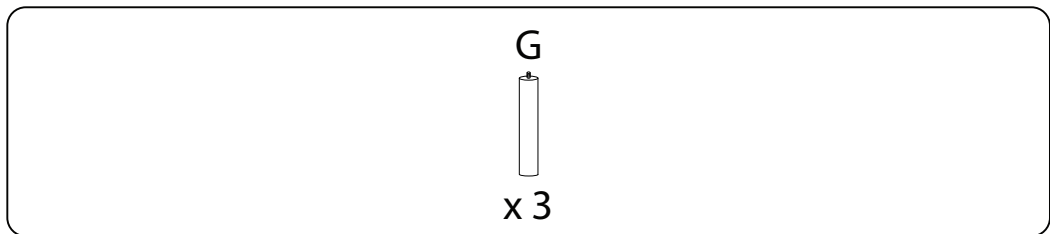
1



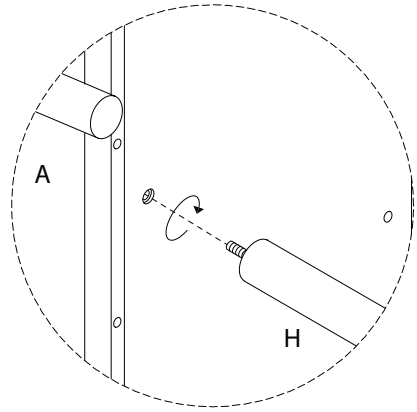
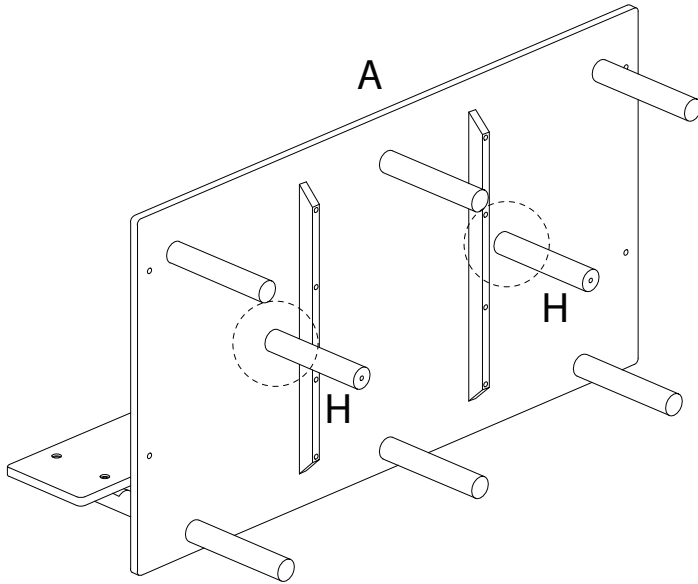
2



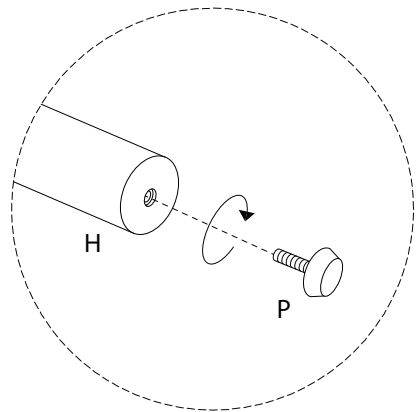
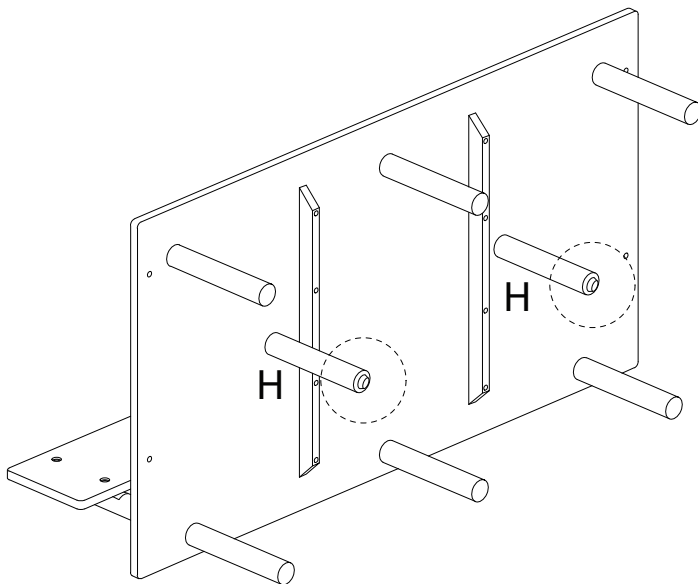
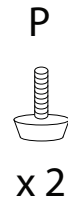
3



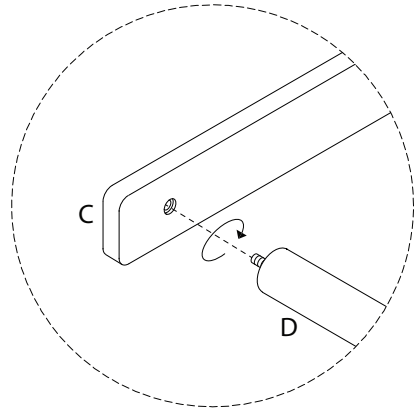
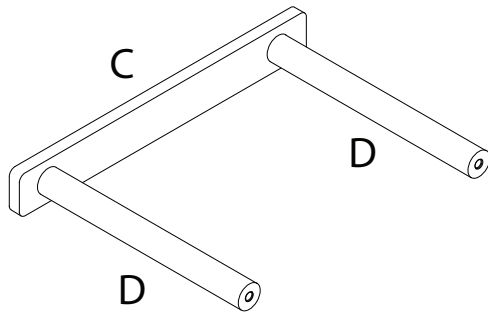
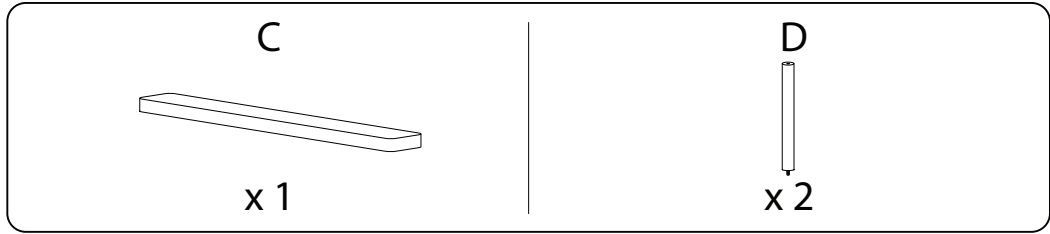
4



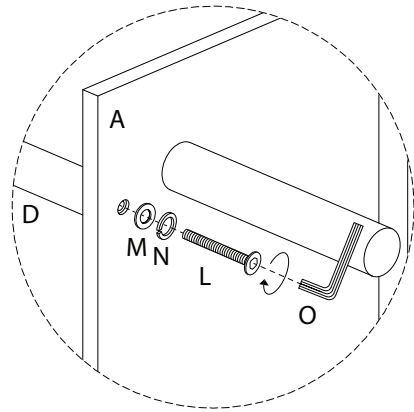
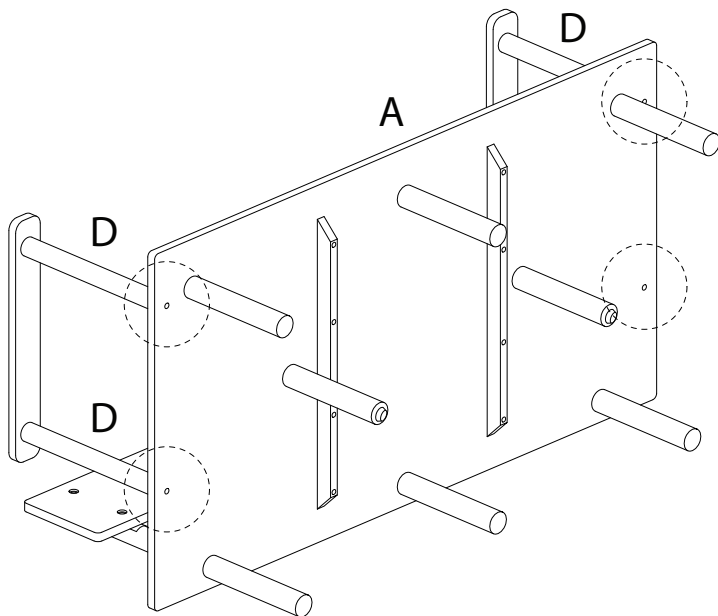
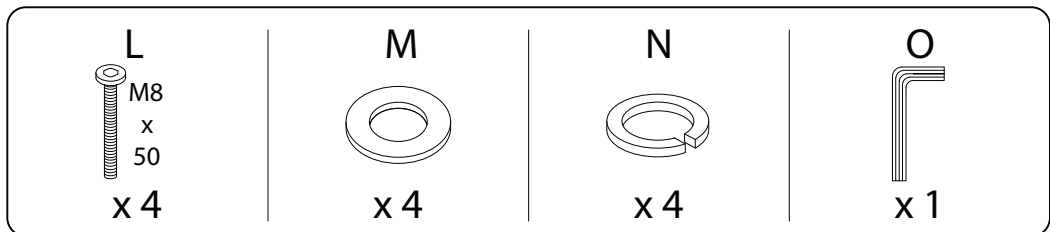
5



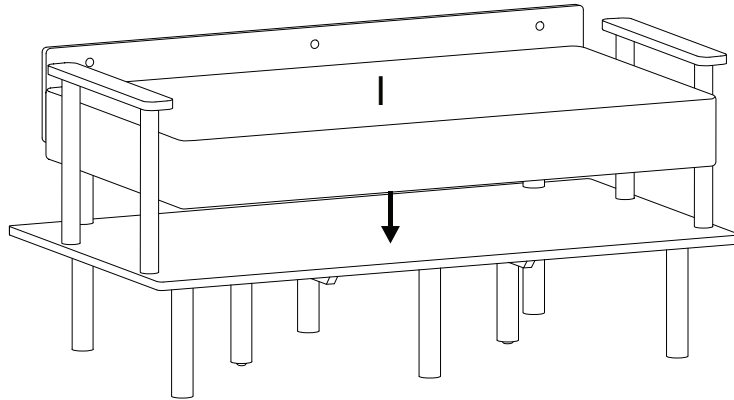
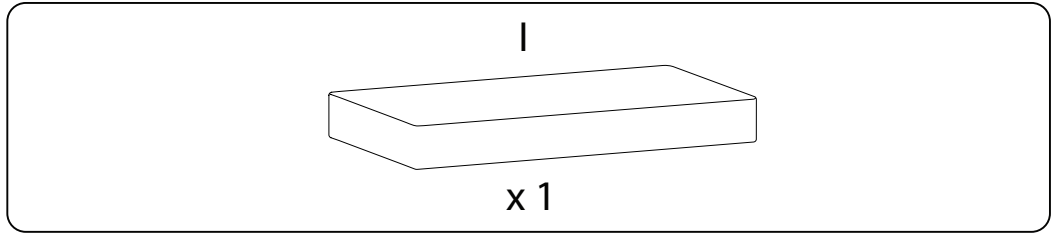
6 x 2



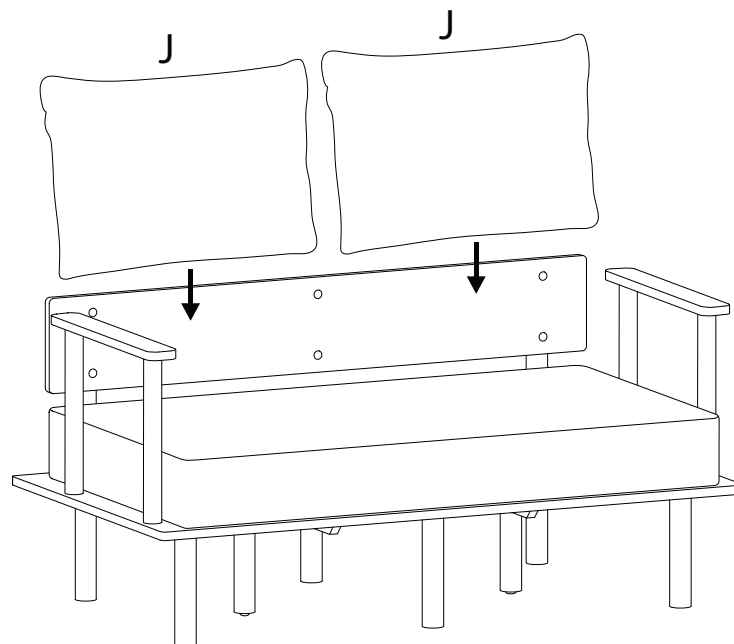
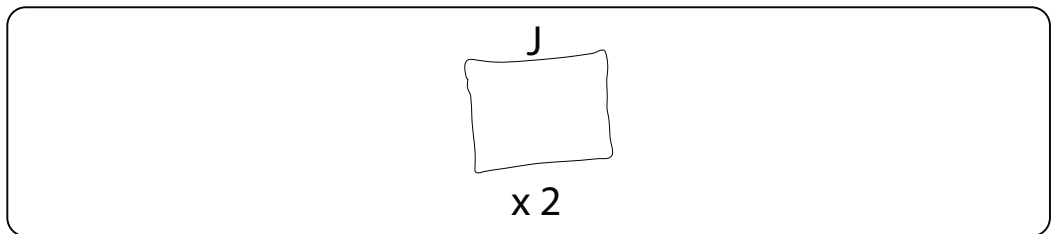
7



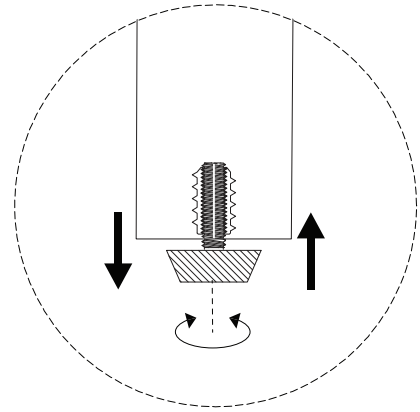
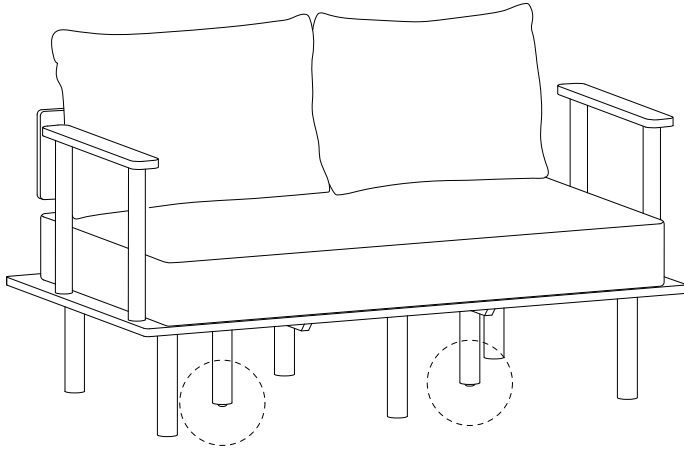
8



9



10



!

