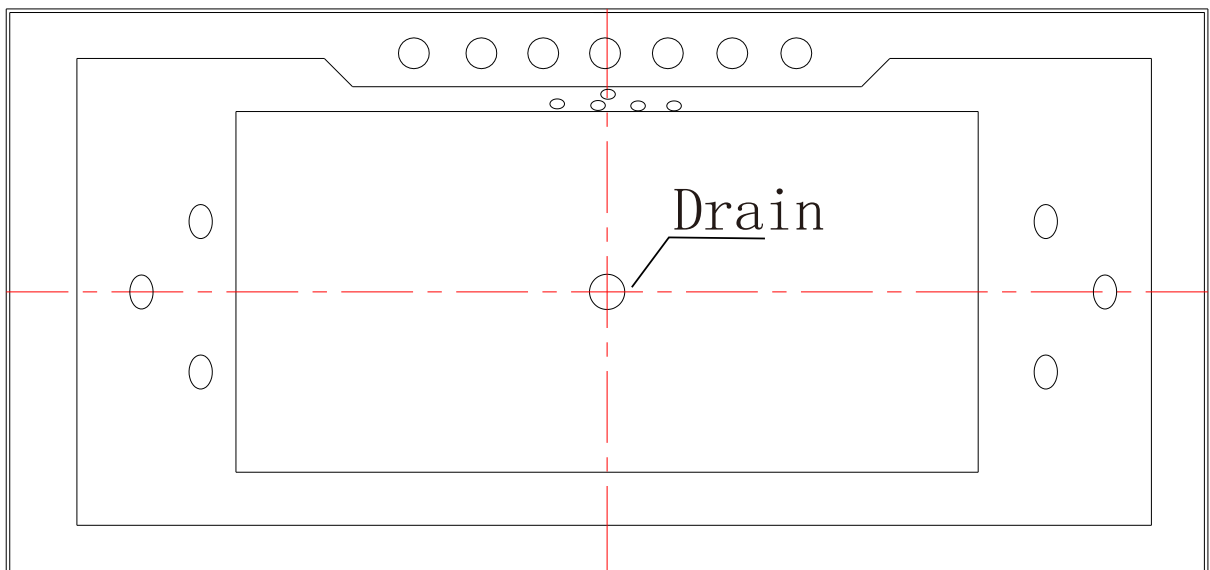
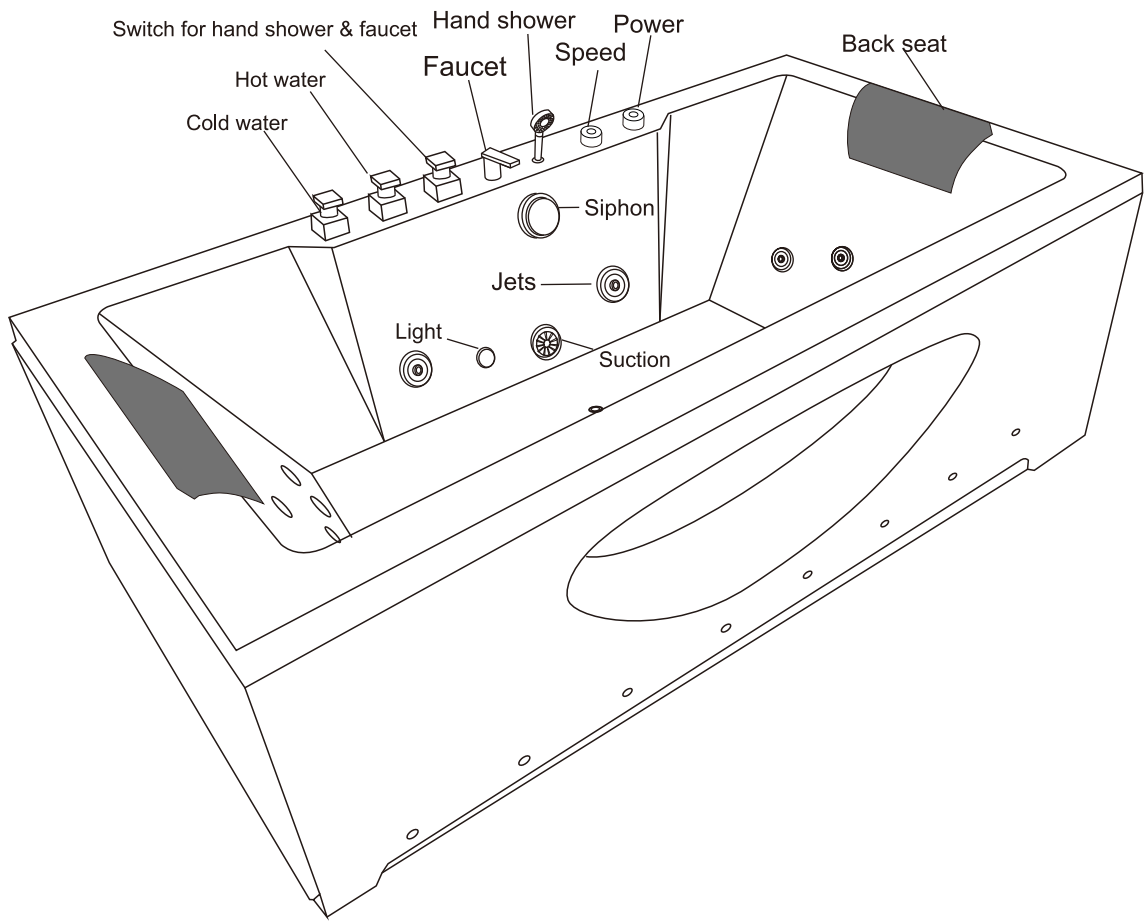
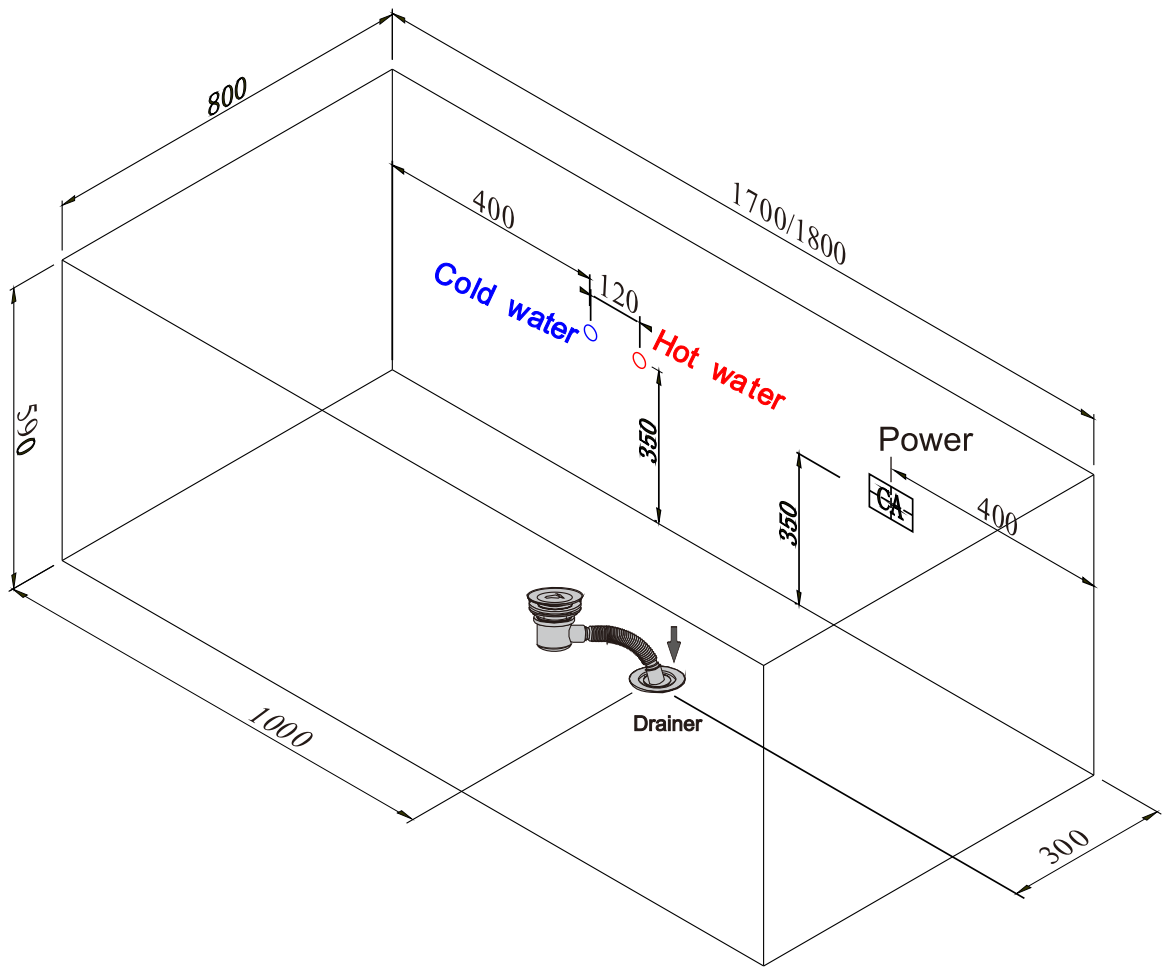



17901 17902
1700X800X580mm

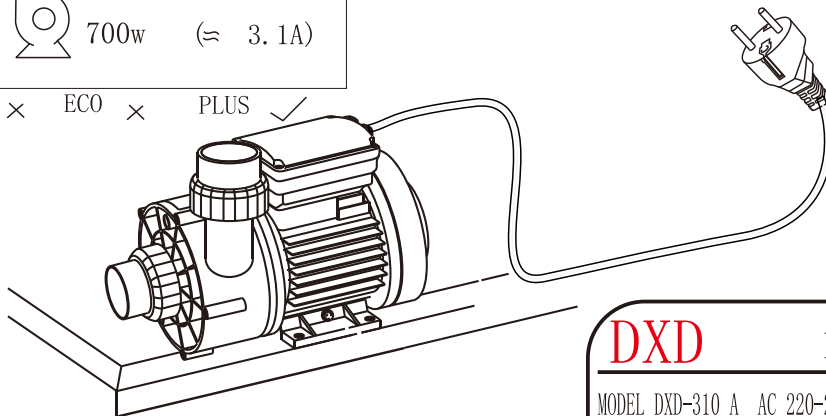
17903 17904
1800X800X580mm





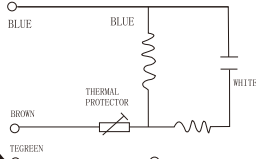
+  700w (≈ 3.1A)




VITAL × ECO × PLUS ✓




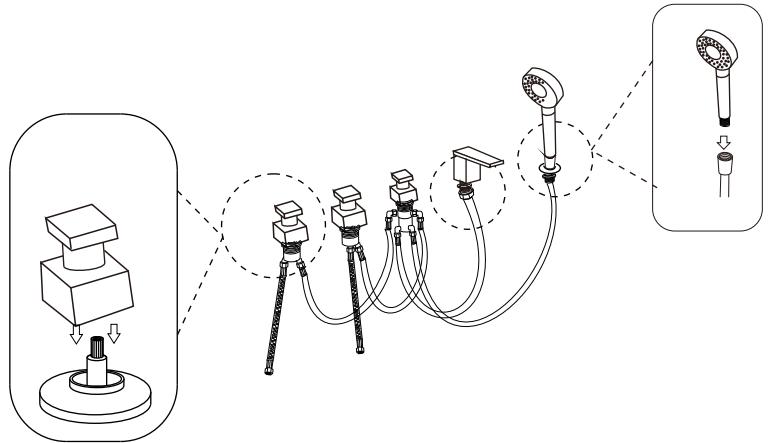
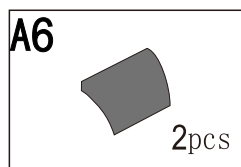
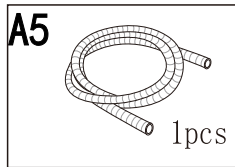
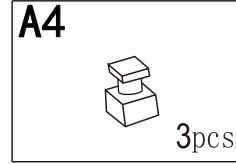
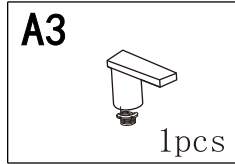
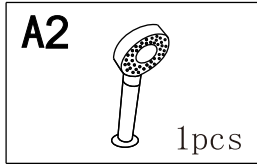
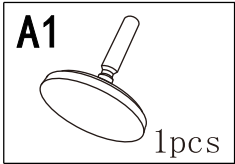
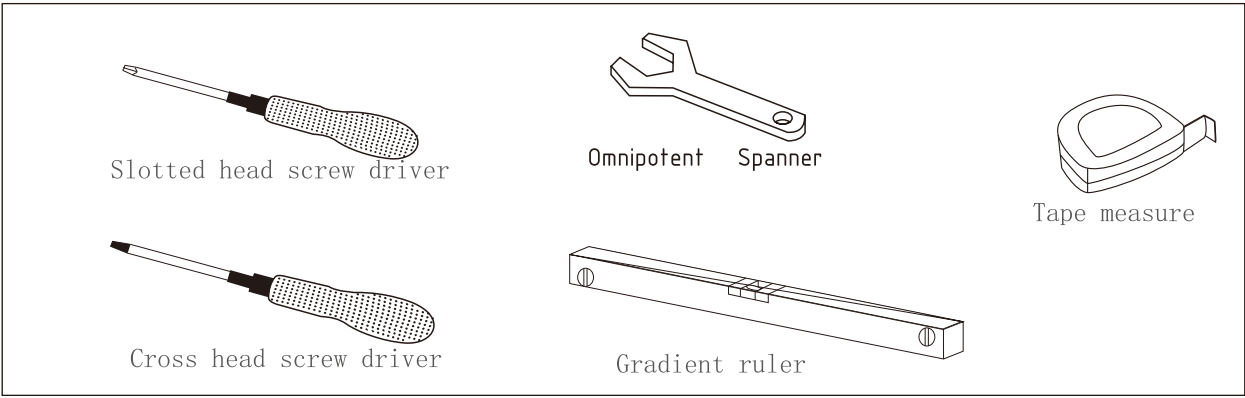
DXD PUMP

MODEL DXD-310 A AC 220-240V 50Hz 700W CLASS B IPX5
 MAX WATER TEMPERATURE 50C 15w F/450V Hmin 1m




 Mround properly!
 Do Not Start Pump
 Without Water!



Gradient ruler

