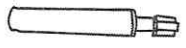


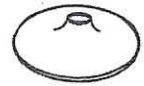
Ax1



Bx1



Cx1



Dx1



M6X18MM

Ex4

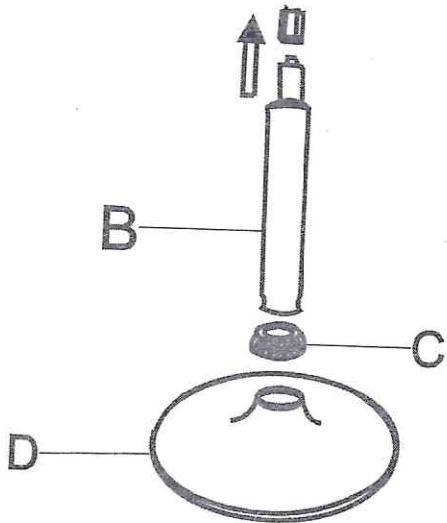


Fx1

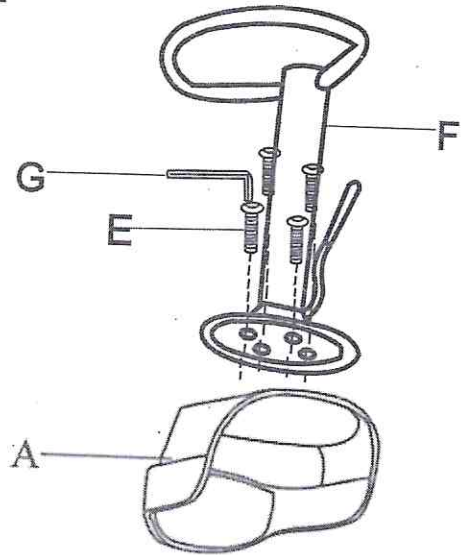


Gx1

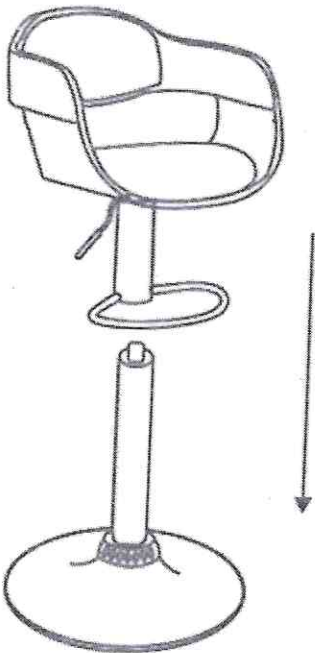
1



2



3



4

