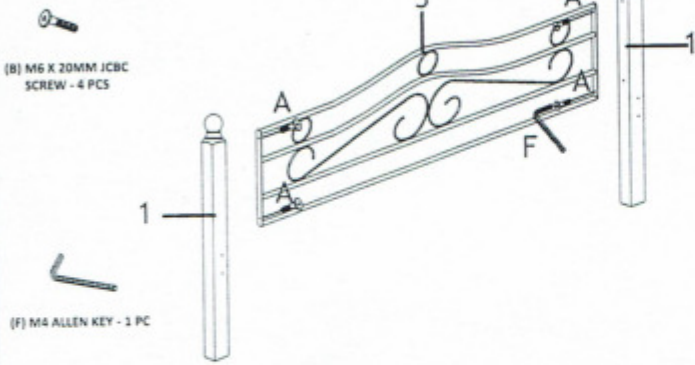


# ASSEMBLY INSTRUCTION

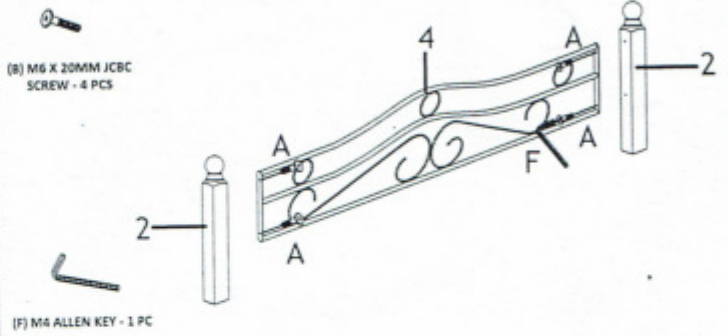
## MODEL : HOME 803 KING BED - 4 PCS WOODEN SUPPORT LEGS

Before you begin, please follow Assembly Instruction carefully. Follow them step by step.

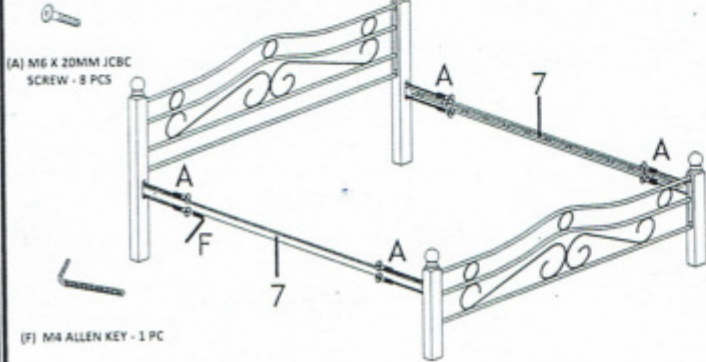
### STEP 1



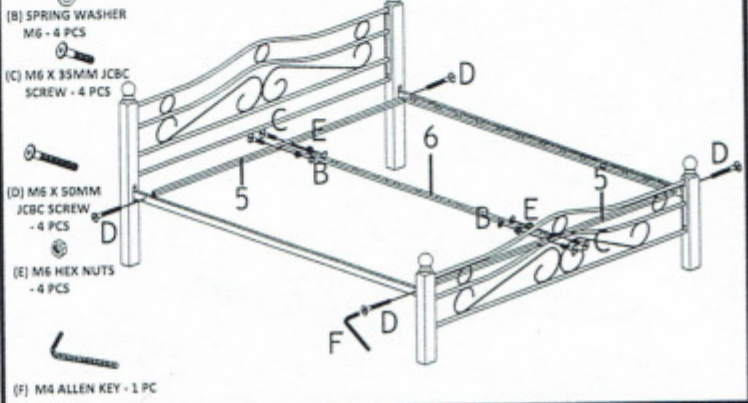
### STEP 2



### STEP 3



### STEP 4

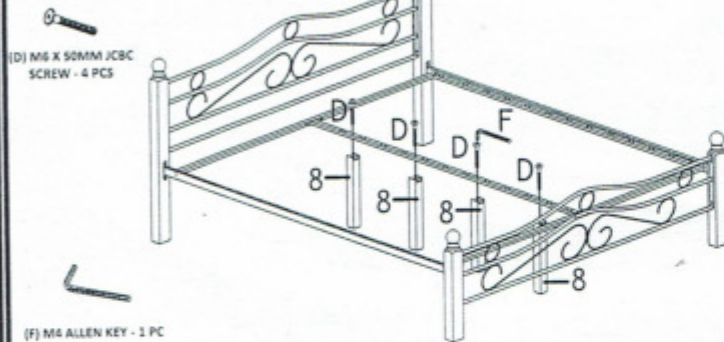


# ASSEMBLY INSTRUCTION









## MODEL : HOME 803 KING BED - 4 PCS WOODEN SUPPORT LEGS

Before you begin, please follow Assembly Instruction carefully. Follow them step by step.







### STEP 5

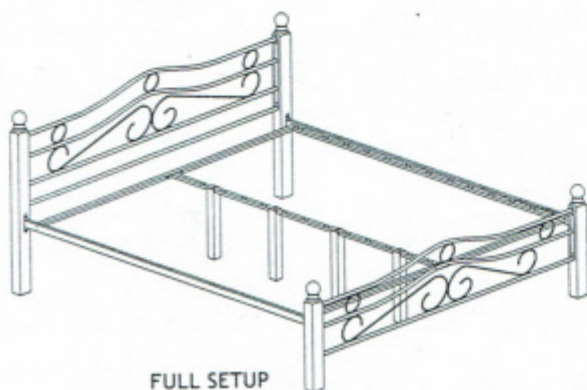


### PART LIST

 1) HEAD POST X 2 PCS	 2) FOOT POST X 2 PCS	 6) CENTER RAIL X 1PC
 3) HEADBOARD X 1 PC	 4) FOOTBOARD X 1 PC	 7) METAL SIDE RAIL ( WITH 26 HOLES ) X 2 PCS
 5) MIDDLE RAIL X 2 PCS	 8) WOODEN CENTER SUPPORT LEGS X 4 PCS	

### HARDWARE LIST

 (A) M6 X 20MM JCBC SCREW - 16 PCS	 (D) M6 X 50MM JCBC SCREW - 8 PCS
 (B) SPRING WASHER M6 X 4 PCS	 (E) M6 HEX NUTS - 4 PCS
 (C) M6 X 35MM JCBC SCREW - 4 PCS	 (F) M4 ALLEN KEY - 1 PC



FULL SETUP