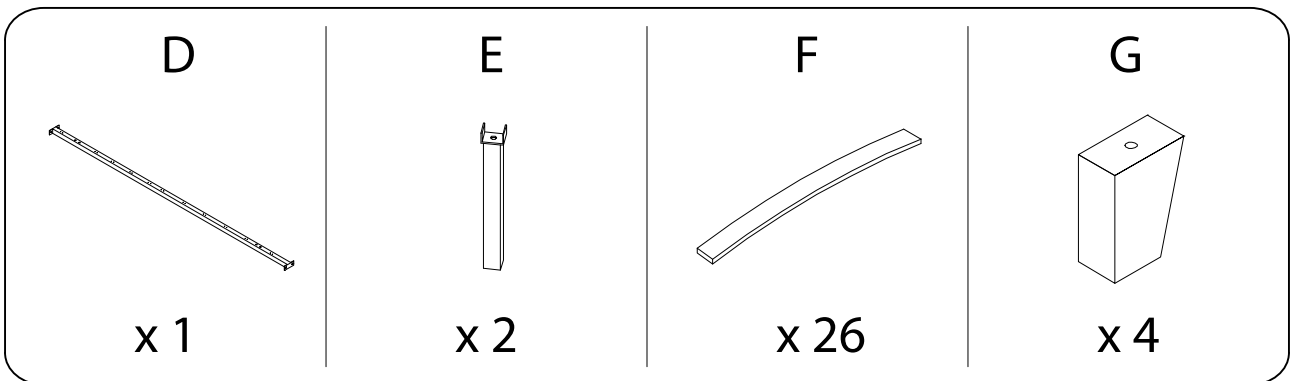
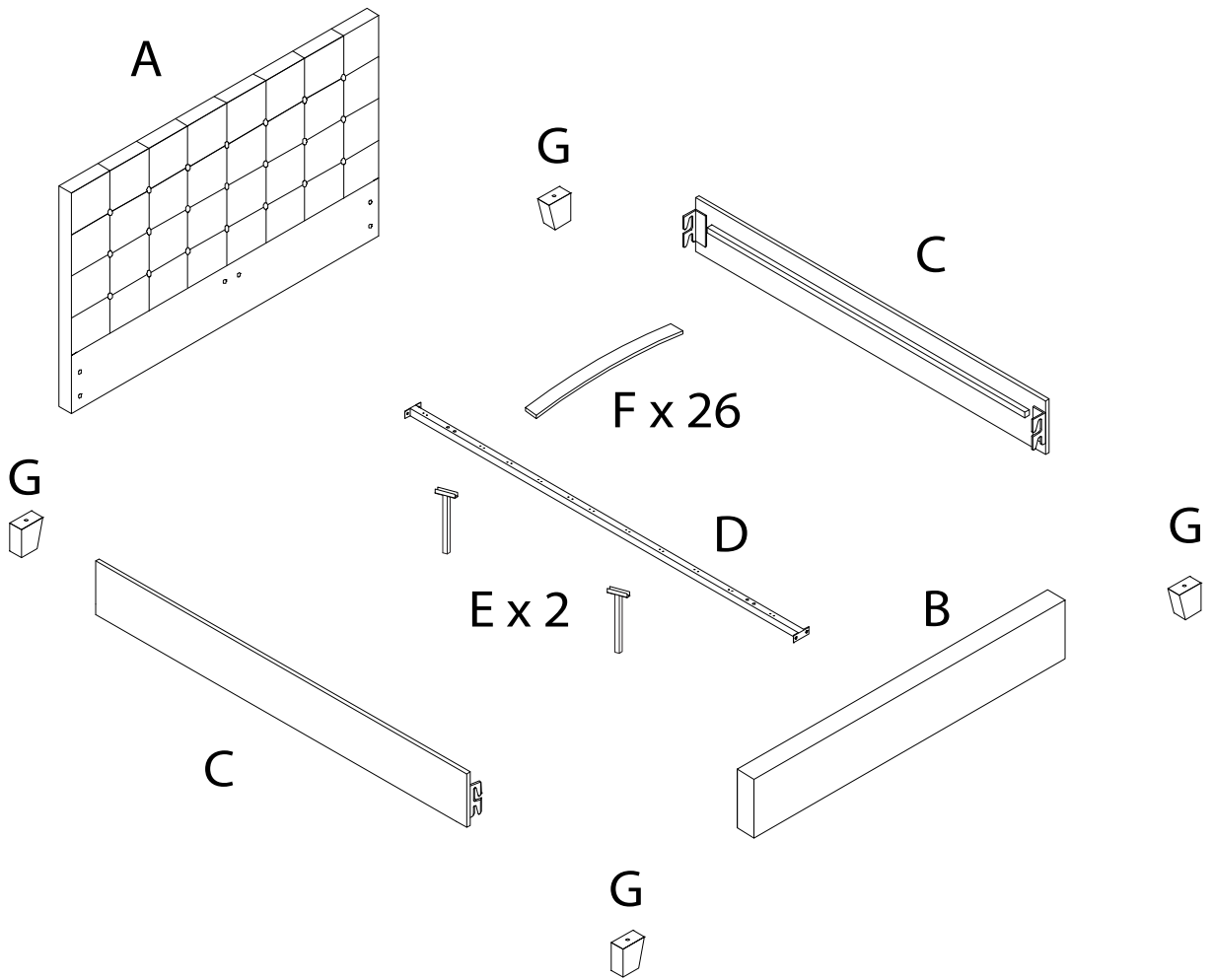
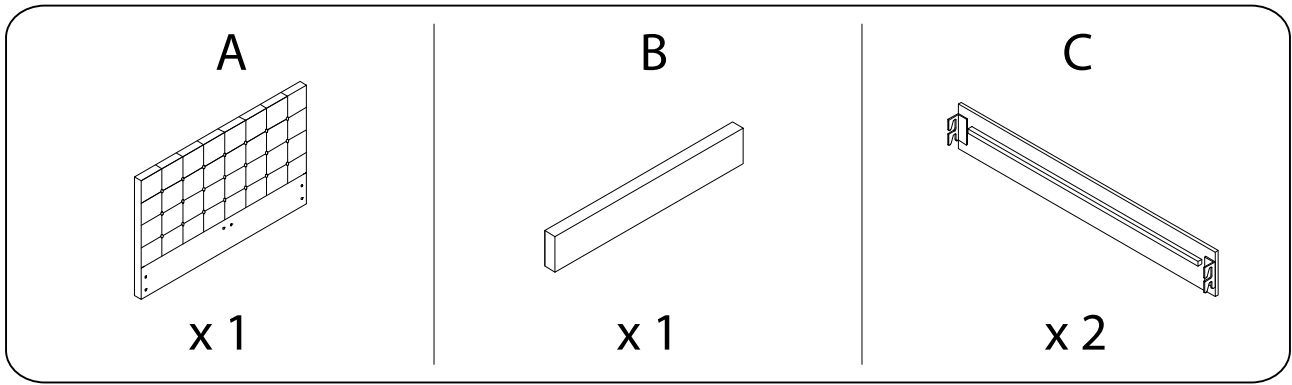
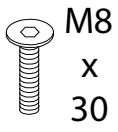


Diagram illustrating assembly instructions and safety warnings:

- Warning 1:** A triangle with an exclamation mark. Below it, a box contains an L-shaped metal bracket and a crossed-out power drill, indicating that a power drill should not be used for this step.
- Warning 2:** A triangle with an exclamation mark. Below it, a box shows a mattress being placed on a slatted base, with a crossed-out diagram showing the mattress being placed on a flat surface, indicating that the mattress should be placed on the slatted base.
- Time:** A clock icon with the text "45'", indicating the estimated assembly time.
- Personnel:** An icon of a person with the number "2", indicating that two people are required for assembly.

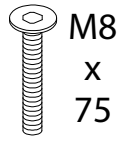


H



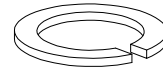
x 14

I



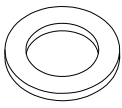
x 4

J



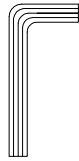
x 8

K



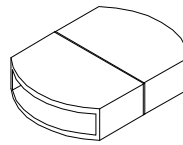
x 10

L



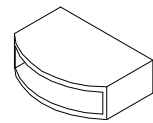
x 1

M



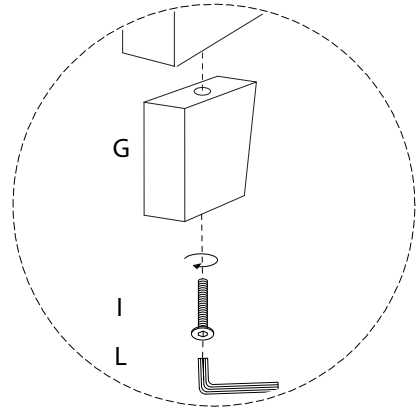
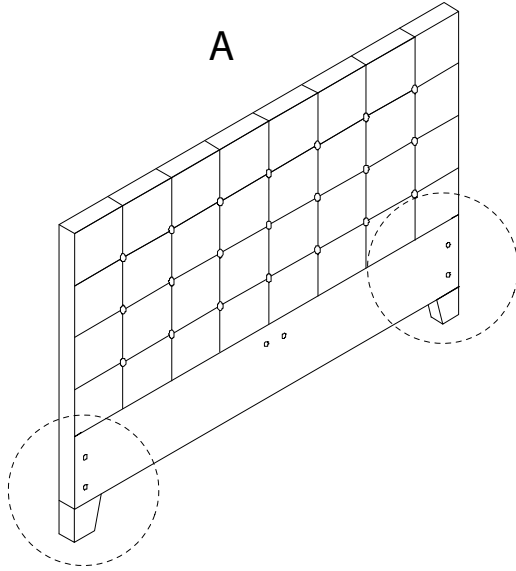
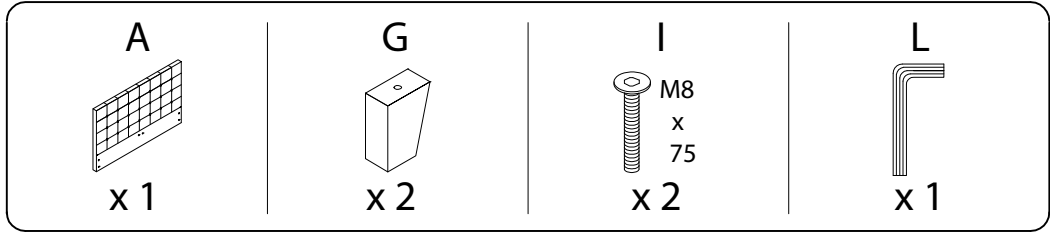
x 13

N

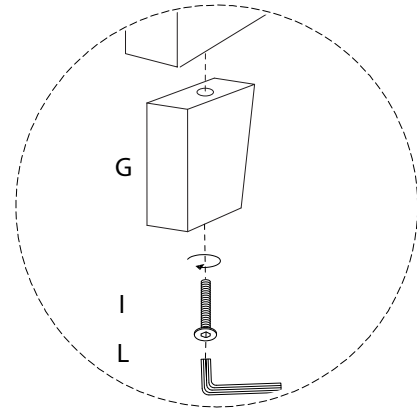
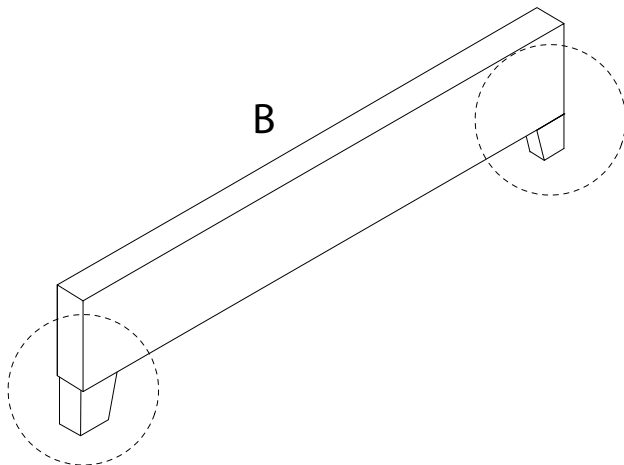
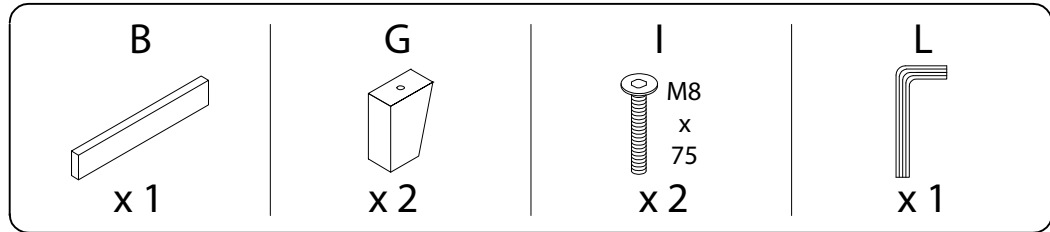


x 26

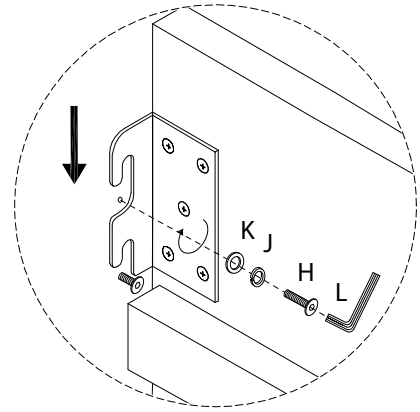
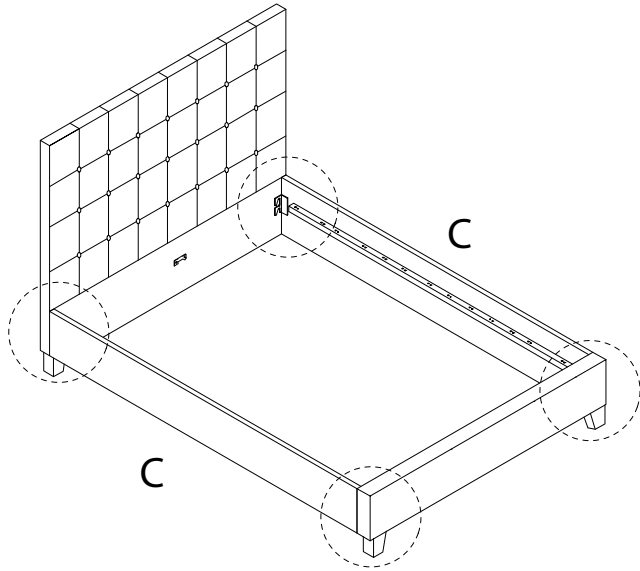
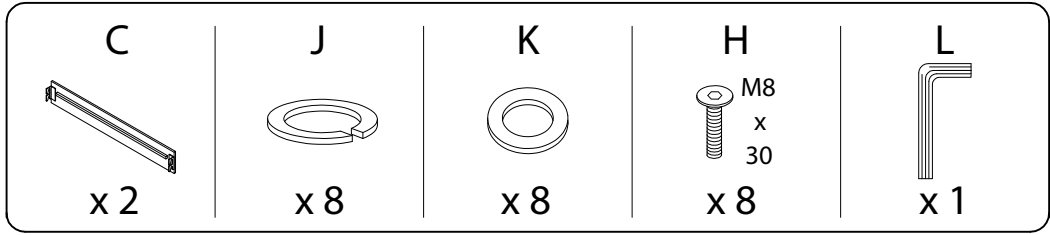
1



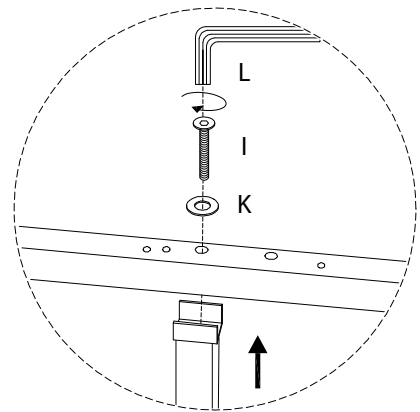
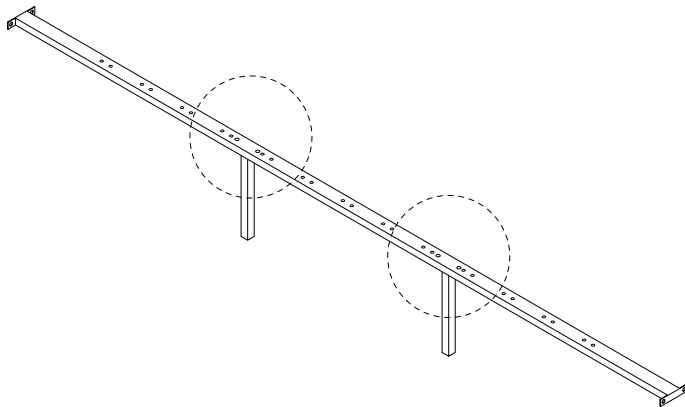
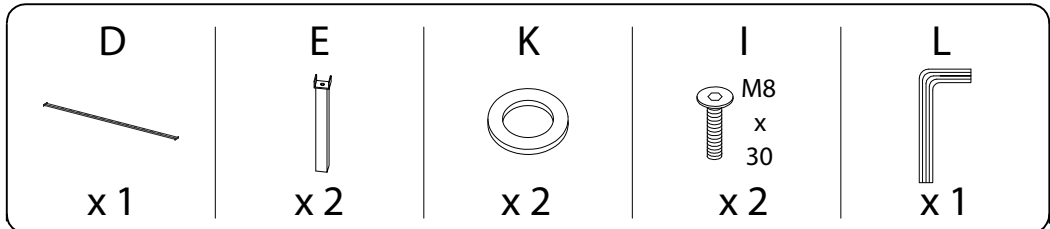
2



3

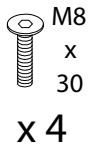


4

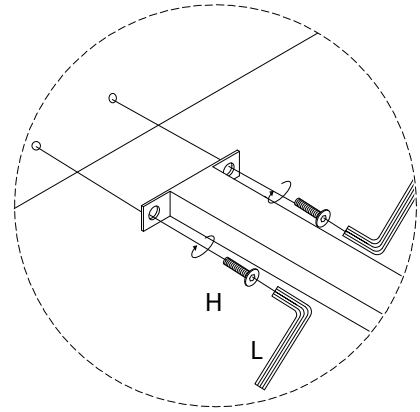
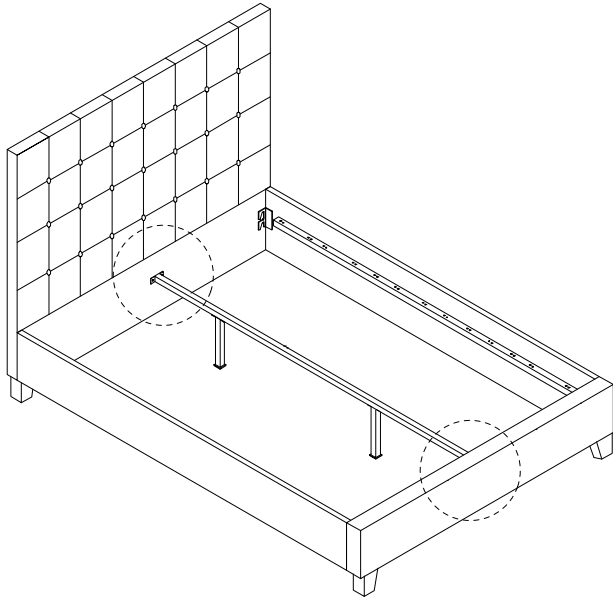
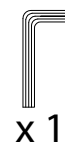


5

H

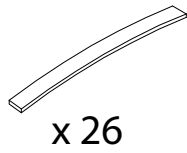


L



6

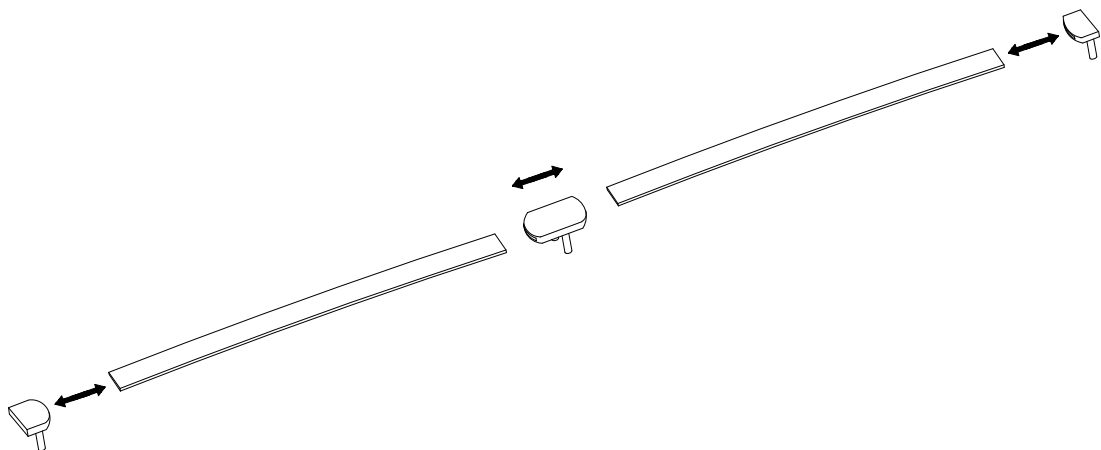
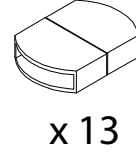
F



N



M



7

