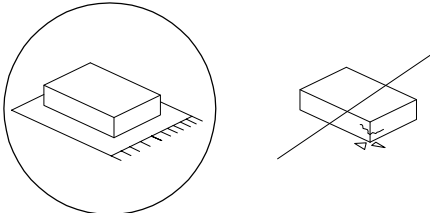
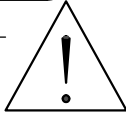

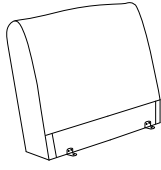
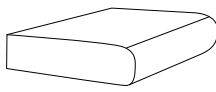
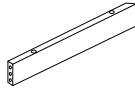
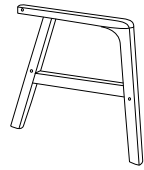

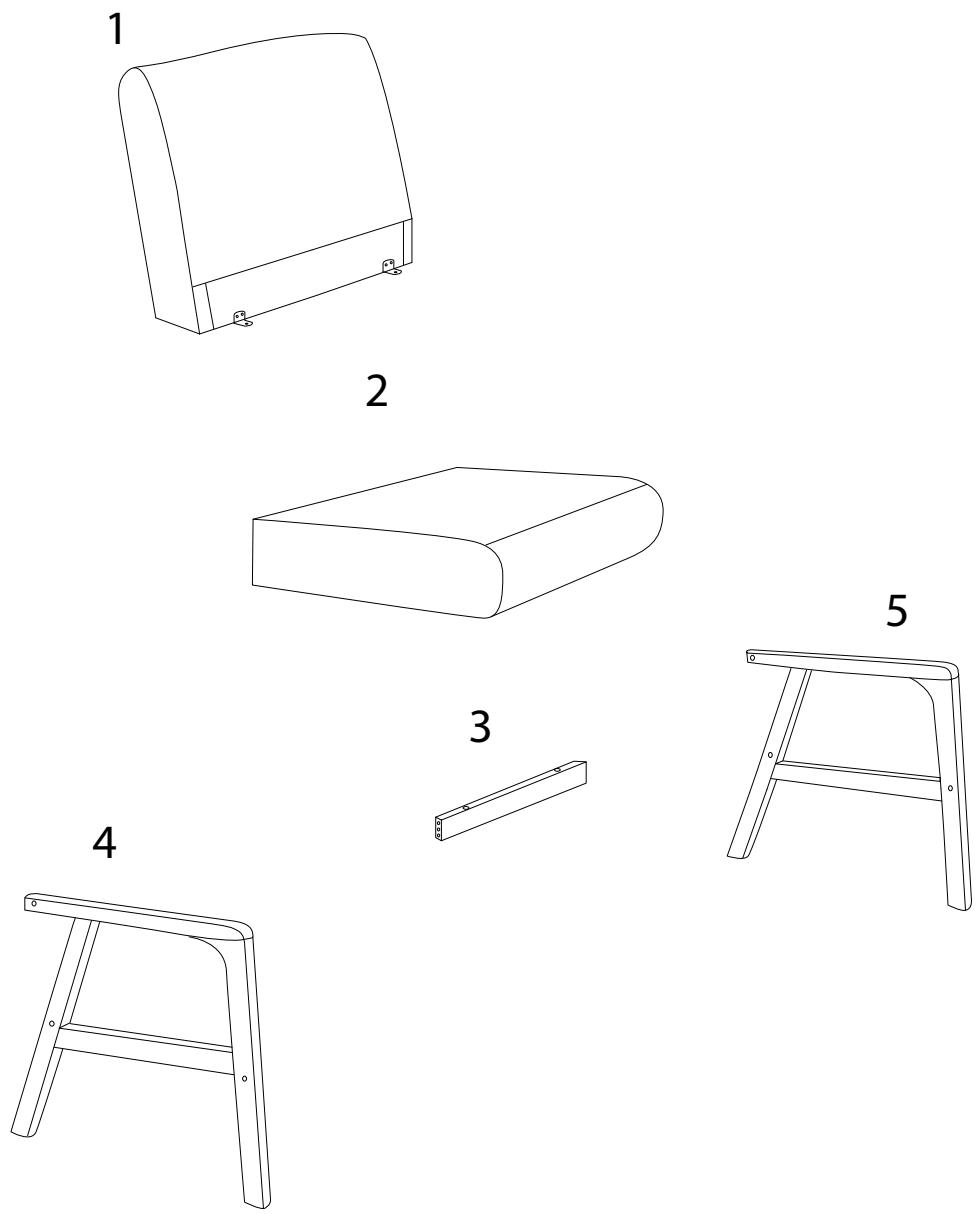
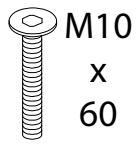

		30'
		
		1

<p>1</p>  <p>x 1</p>	<p>2</p>  <p>x 1</p>	<p>3</p>  <p>x 1</p>	<p>4</p>  <p>x 1</p>	<p>5</p>  <p>x 1</p>
---	---	---	--	---

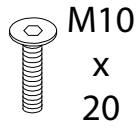


A



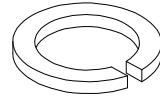
x 6

B



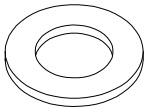
x 2

C



x 6

D



x 6

E



x 2

F



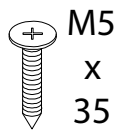
x 4

G



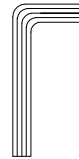
x 6

H



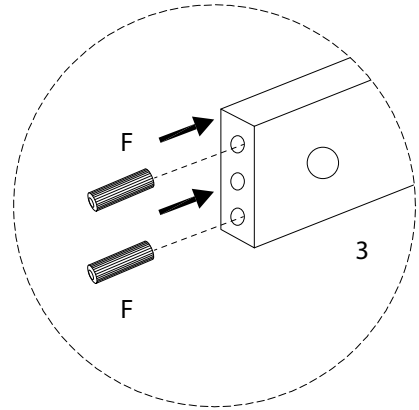
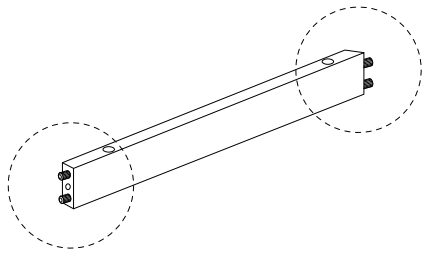
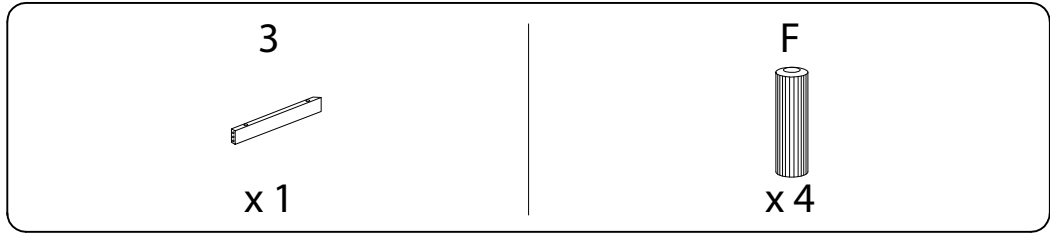
x 2

I

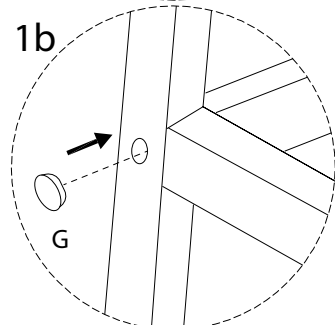
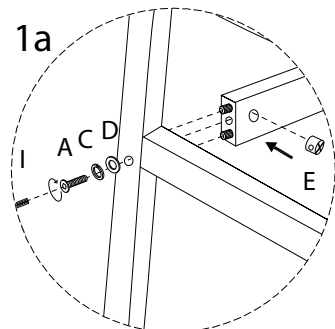
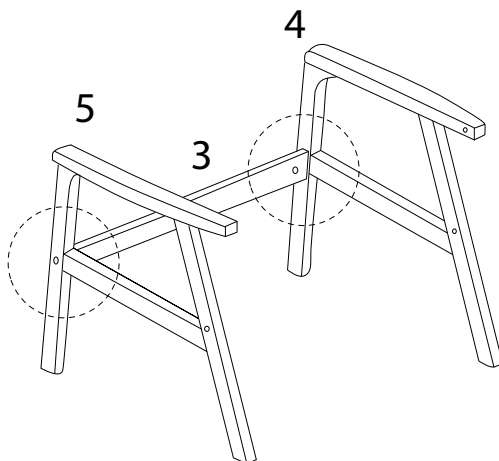
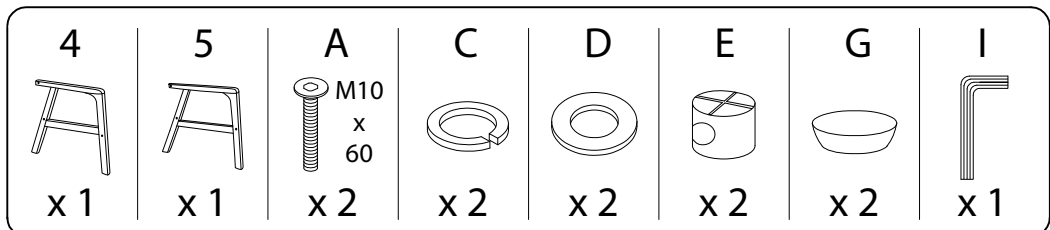


x 1

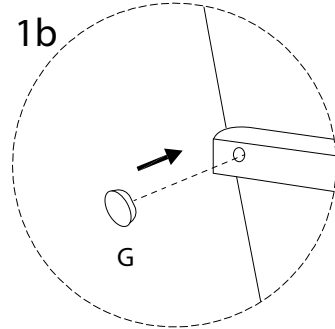
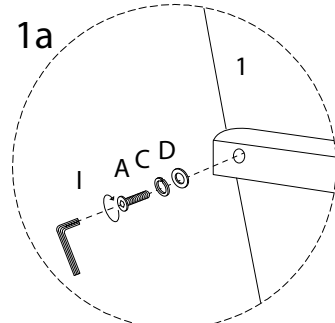
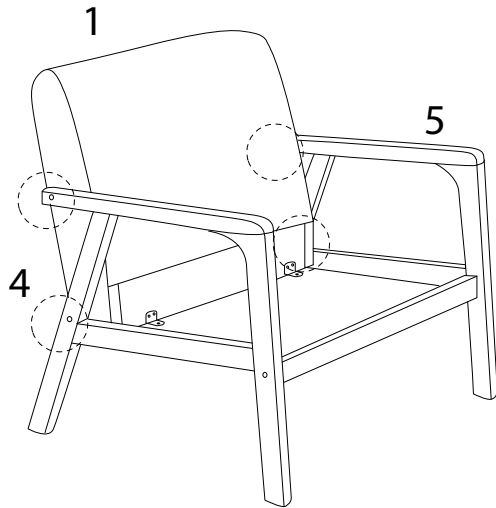
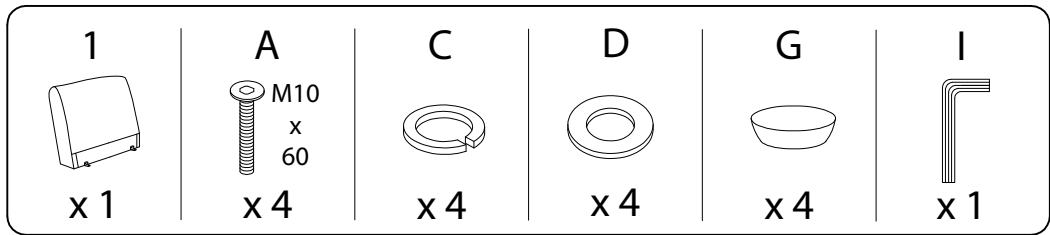
1



2



3



4

