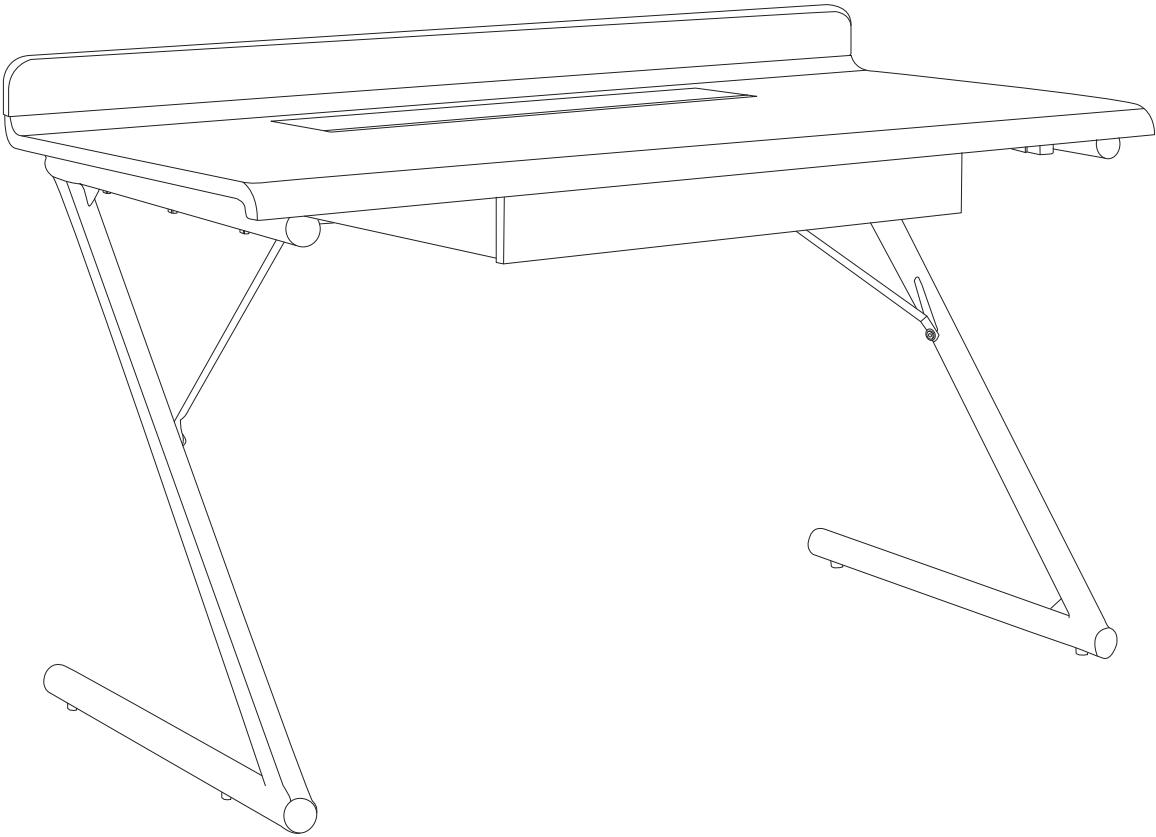
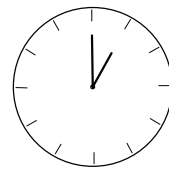
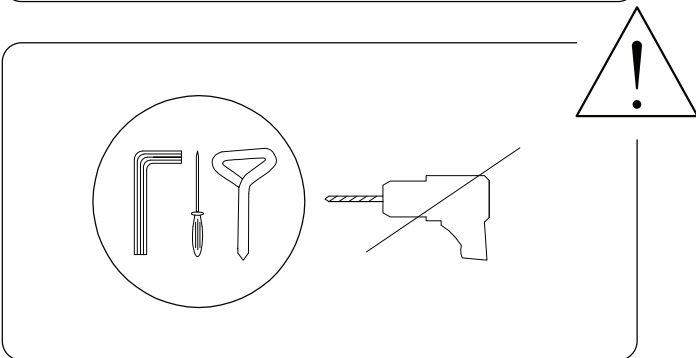
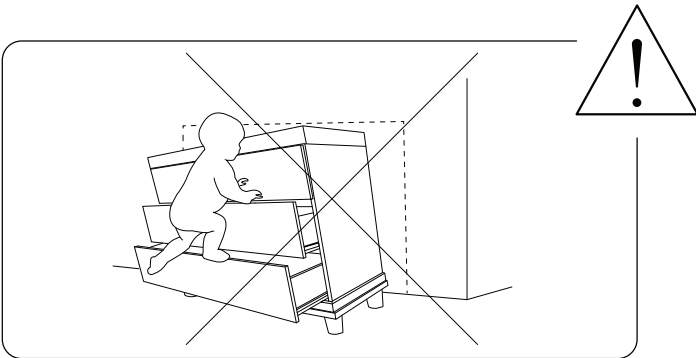
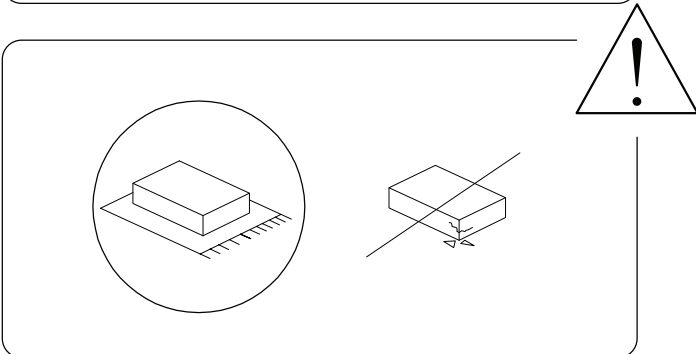


FOCUS

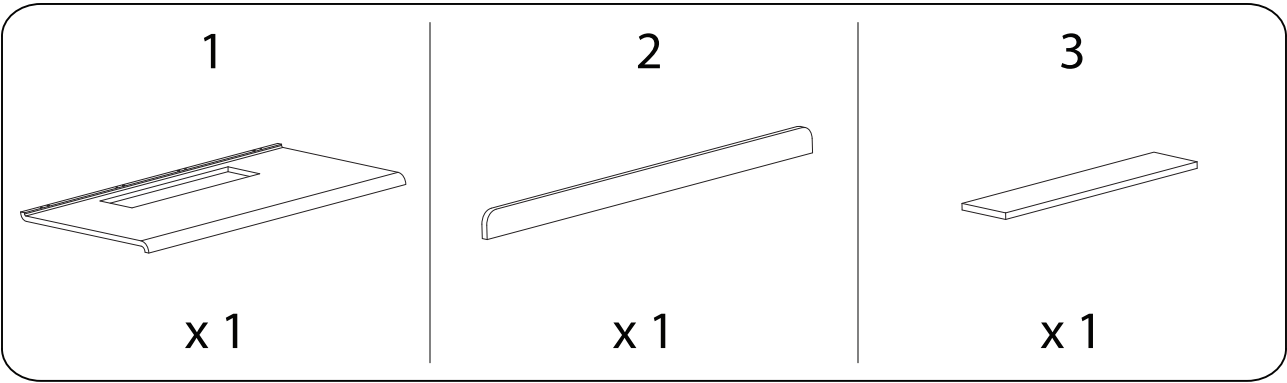
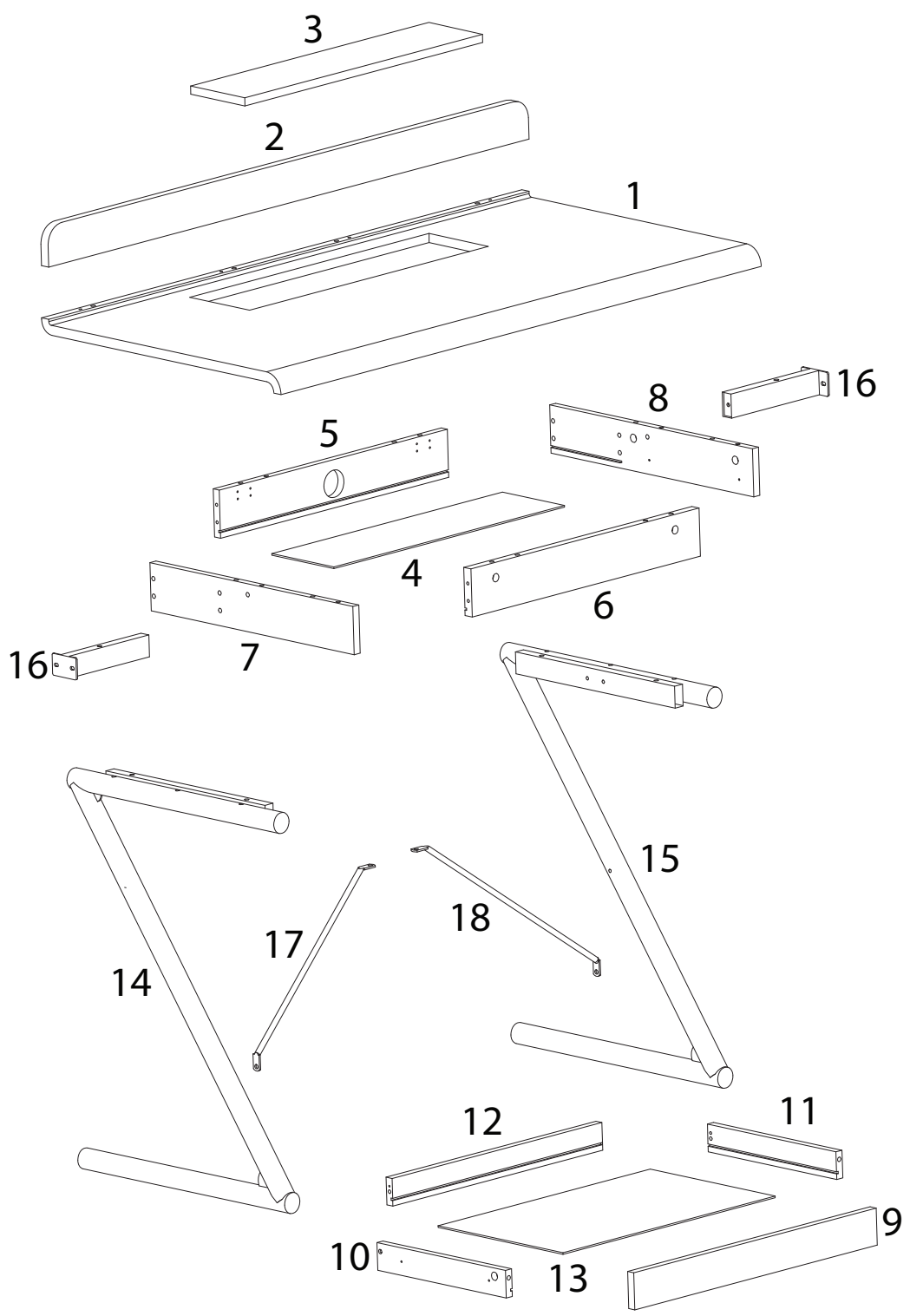




60'



2

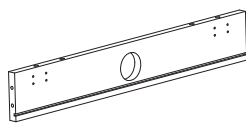


4



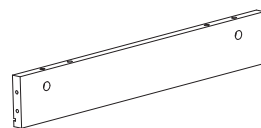
x 1

5



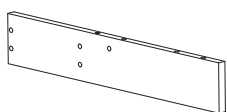
x 1

6



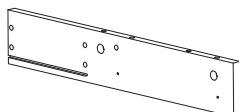
x 1

7



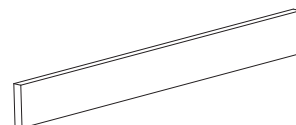
x 1

8



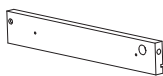
x 1

9



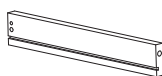
x 1

10



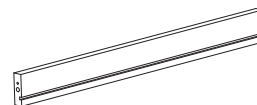
x 1

11



x 1

12



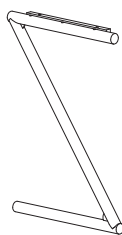
x 1

13



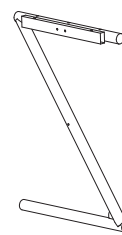
x 1

14



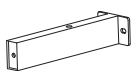
x 1

15



x 1

16



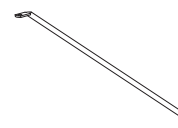
x 2

17



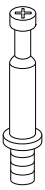
x 1

18



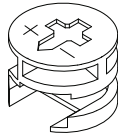
x 1

A



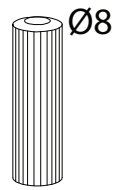
x 14

B



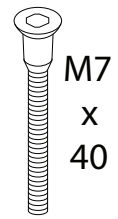
x 14

C



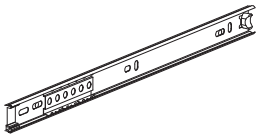
x 12

D



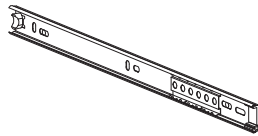
x 8

E1



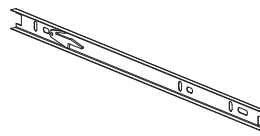
x 1

E2



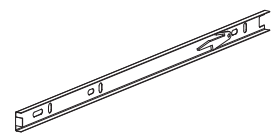
x 1

F1



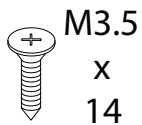
x 1

F2



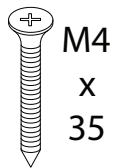
x 1

G



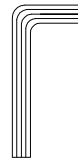
x 20

H



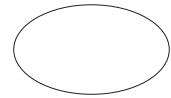
x 2

I



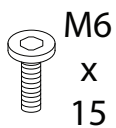
x 1

J



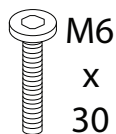
x 8

K



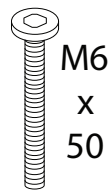
x 8

L



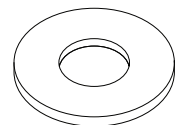
x 2

M



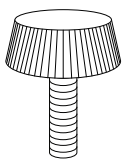
x 12

N



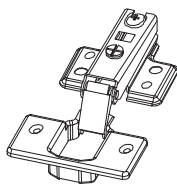
x 18

O



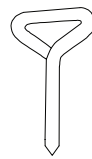
x 4

P



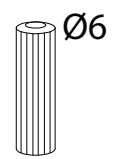
x 2

Q



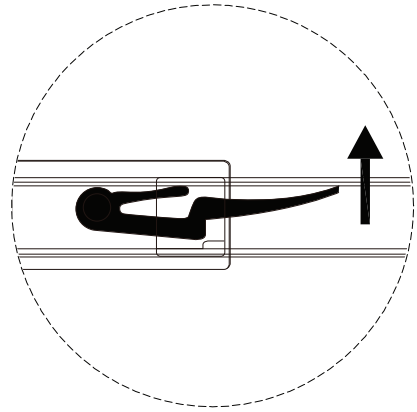
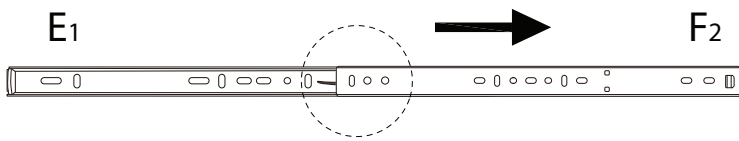
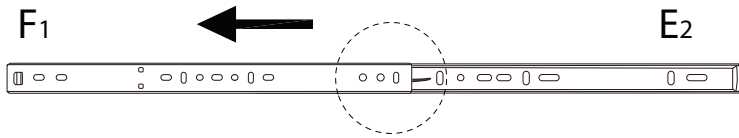
x 1

R

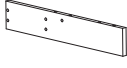
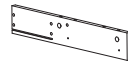
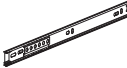
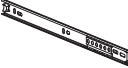

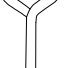


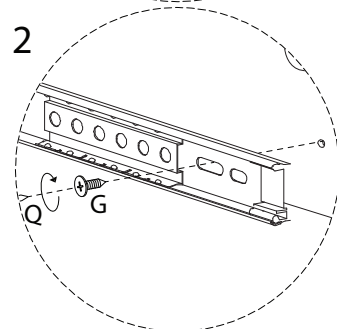
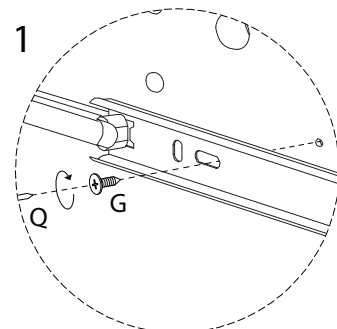
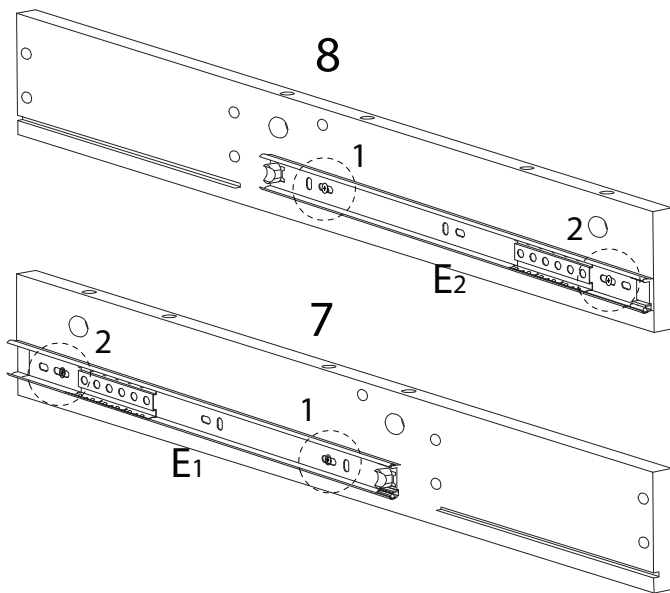
x 2

!

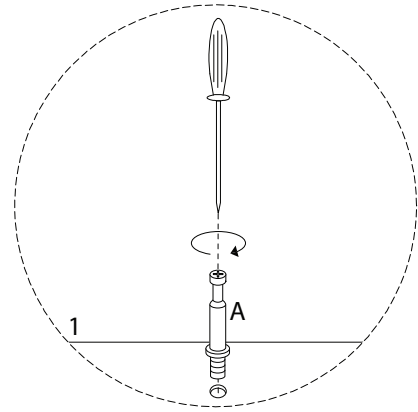
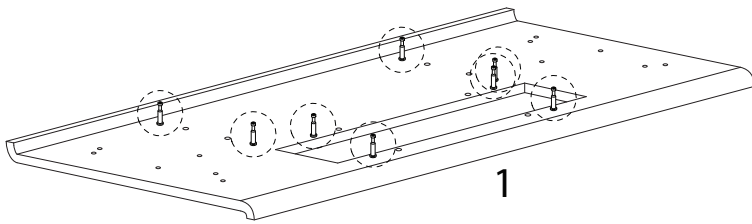
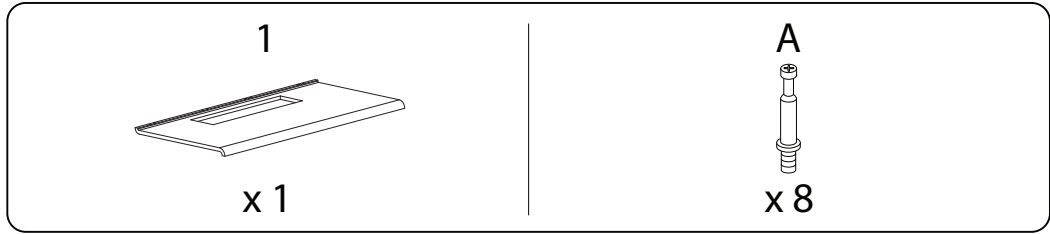


1

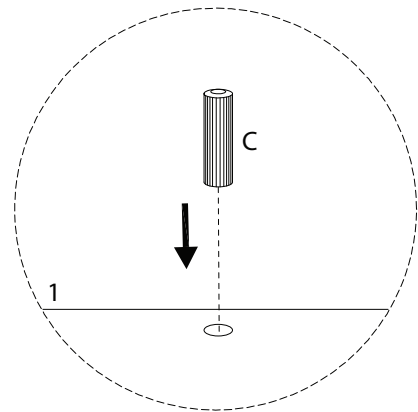
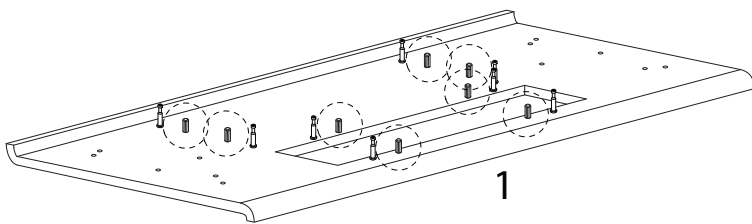
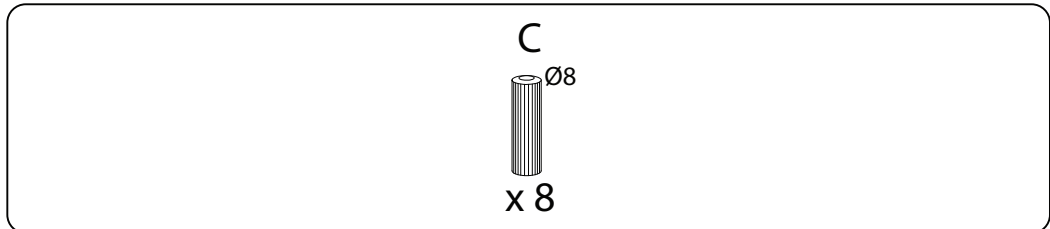
 7 x 1	 8 x 1	 E1 x 1	 E2 x 1	 G M3.5 x 14 x 4	 Q x 1
---	---	--	---	---	---



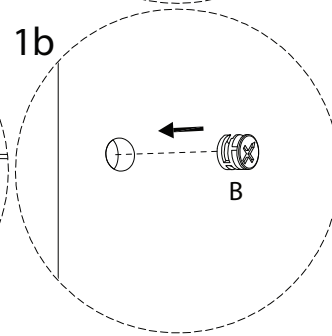
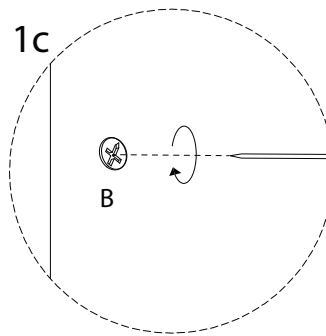
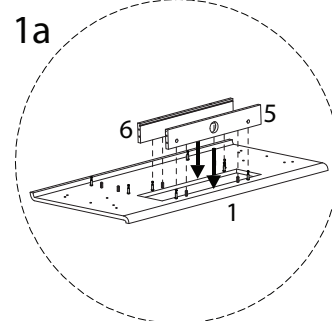
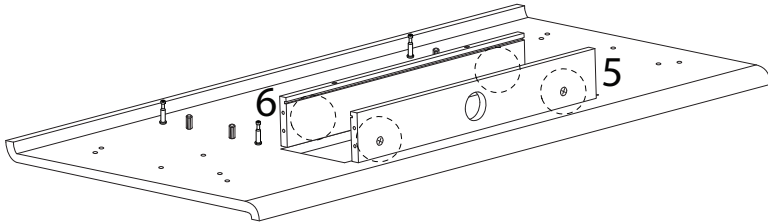
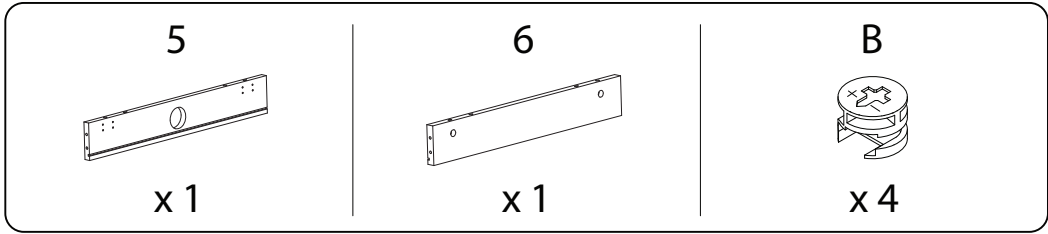
1



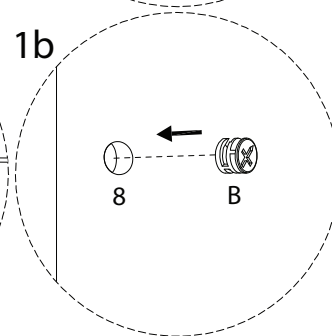
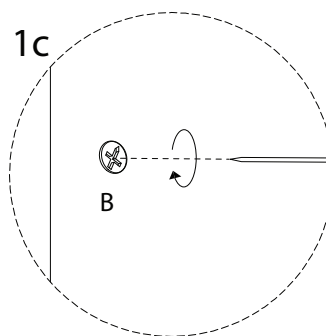
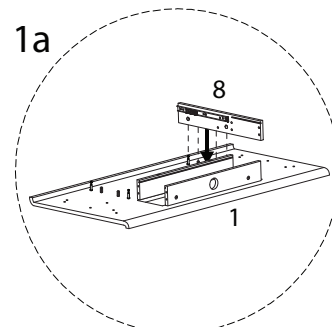
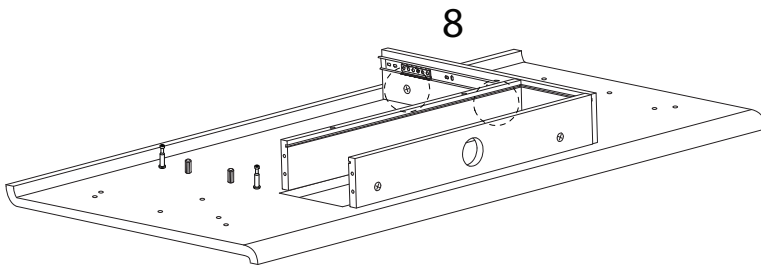
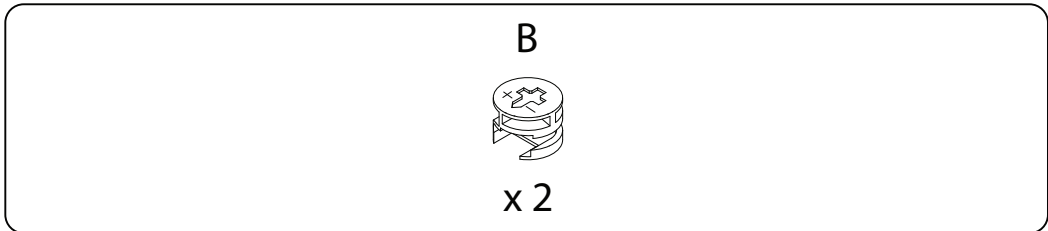
2



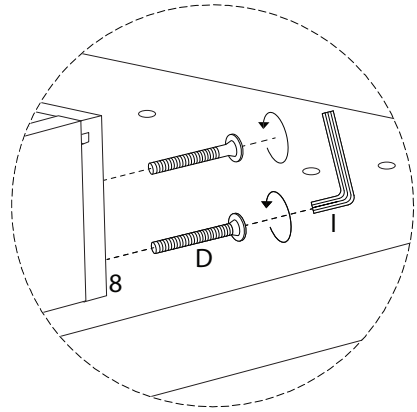
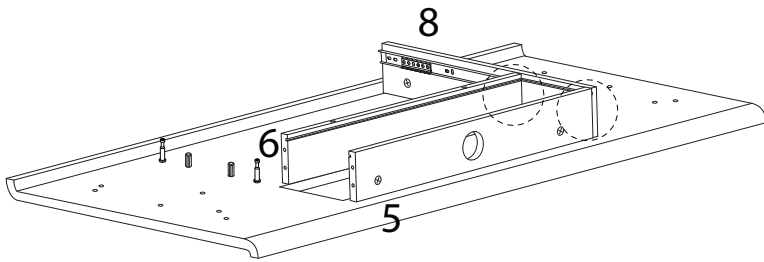
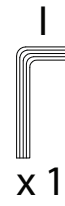
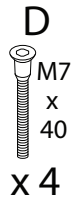
3



4



5

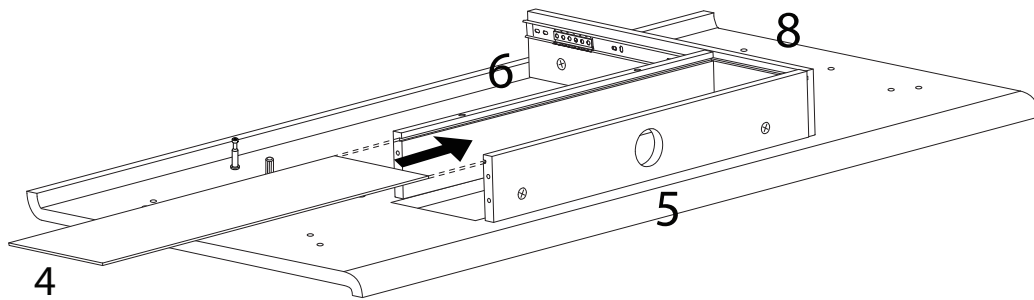


6

4



x 1

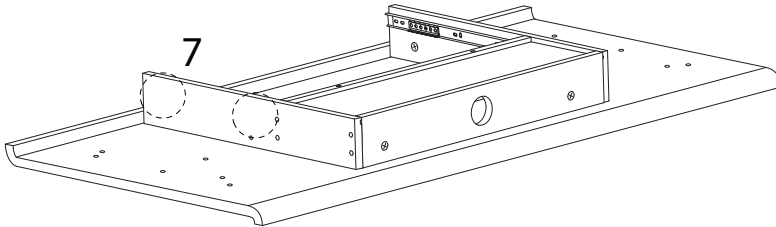


7

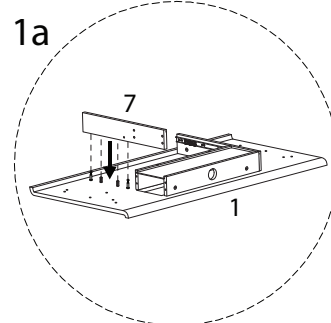
B



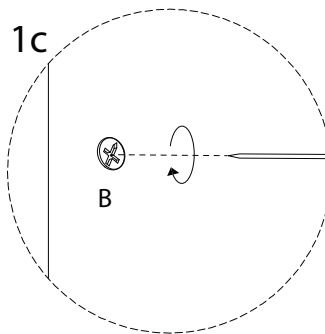
x 2



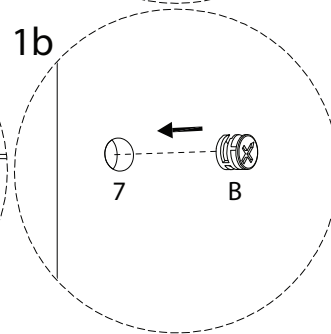
1a



1c

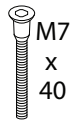


1b



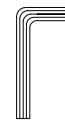
8

D

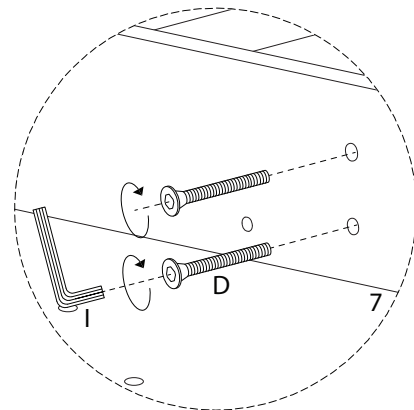
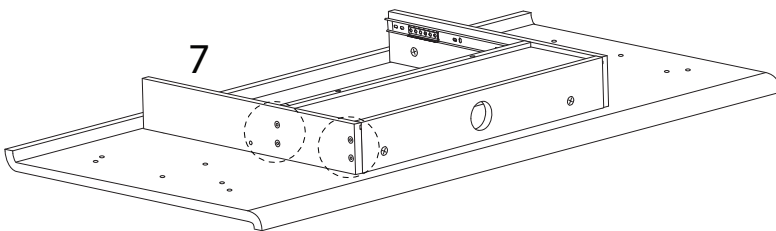


x 4

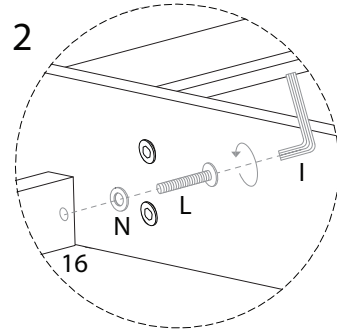
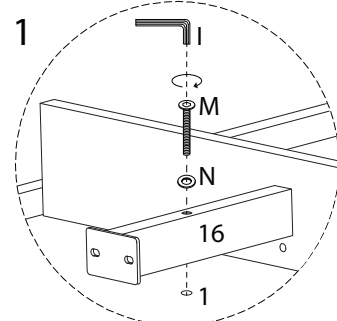
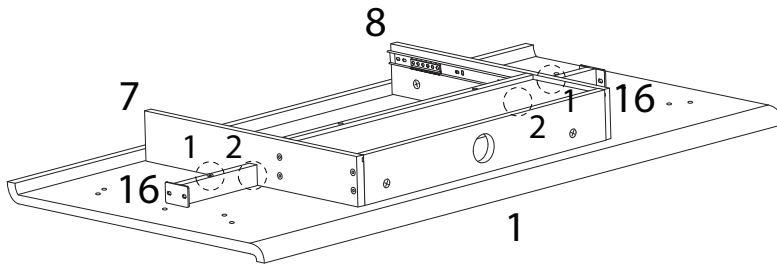
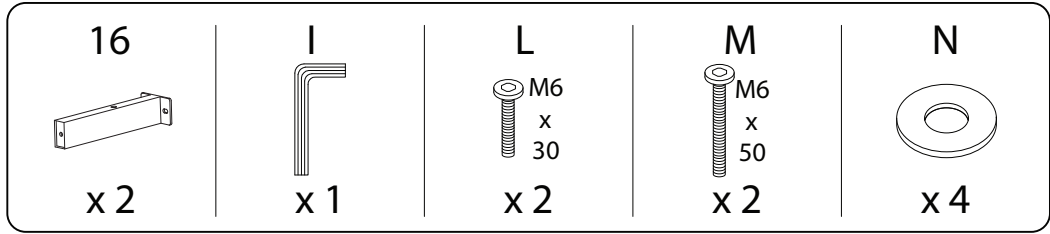
I



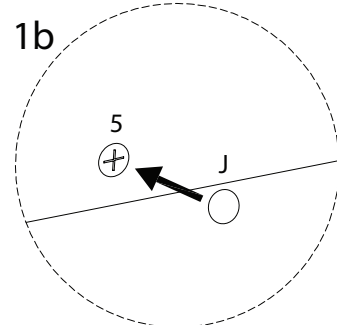
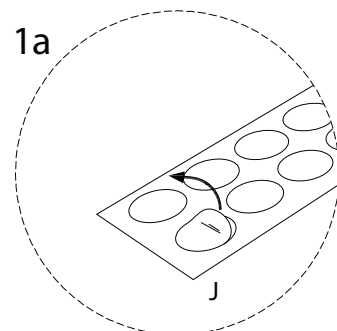
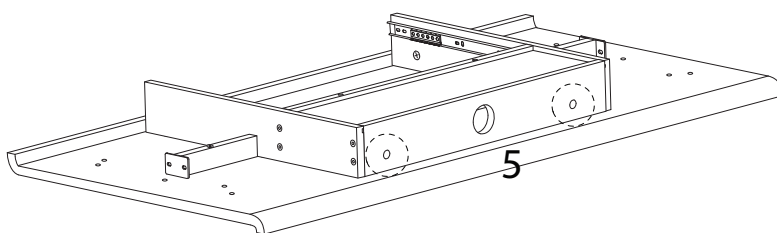
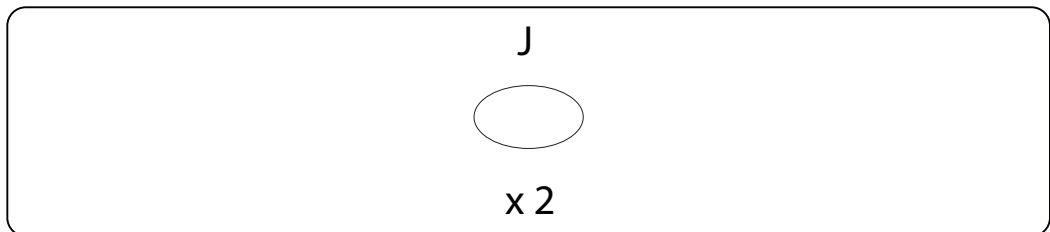
x 1



9



10



11

14



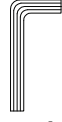
x 1

15



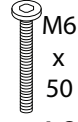
x 1

I



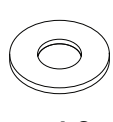
x 1

M

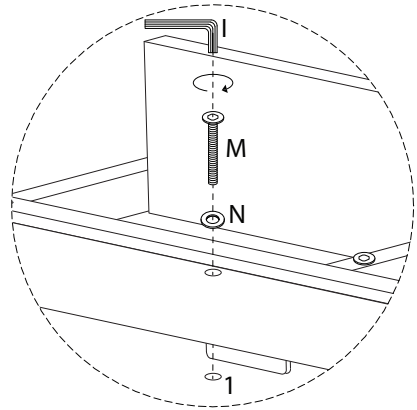
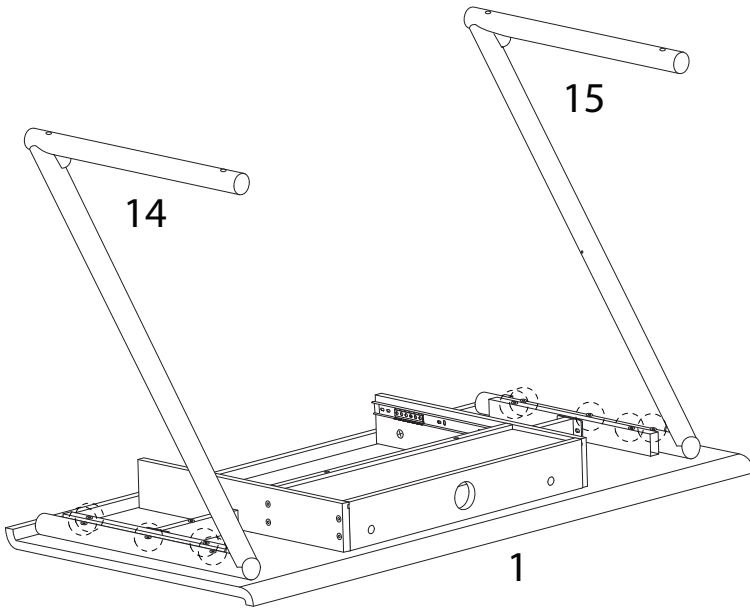


x 10

N

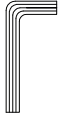


x 10



12

I



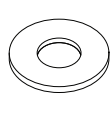
x 1

K

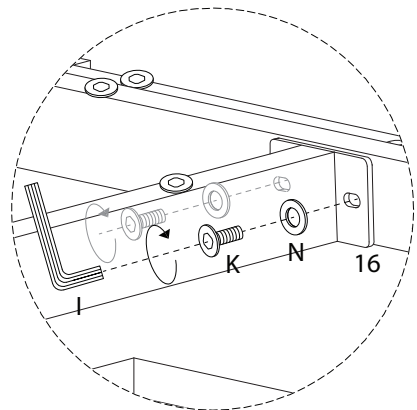
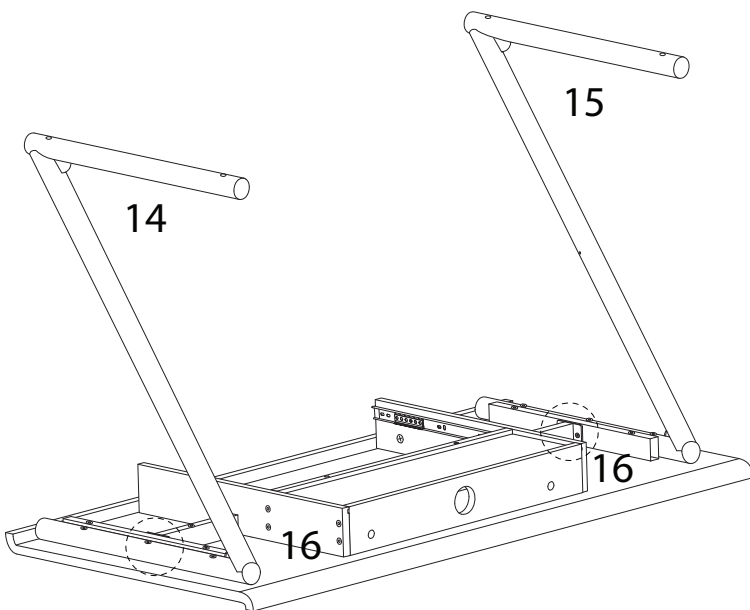


x 4

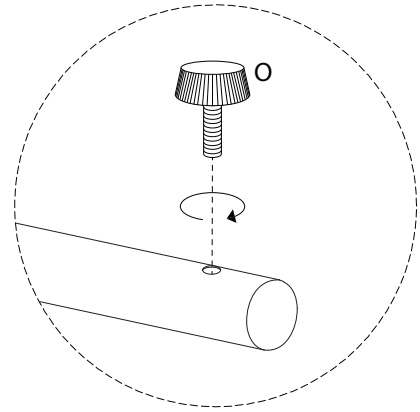
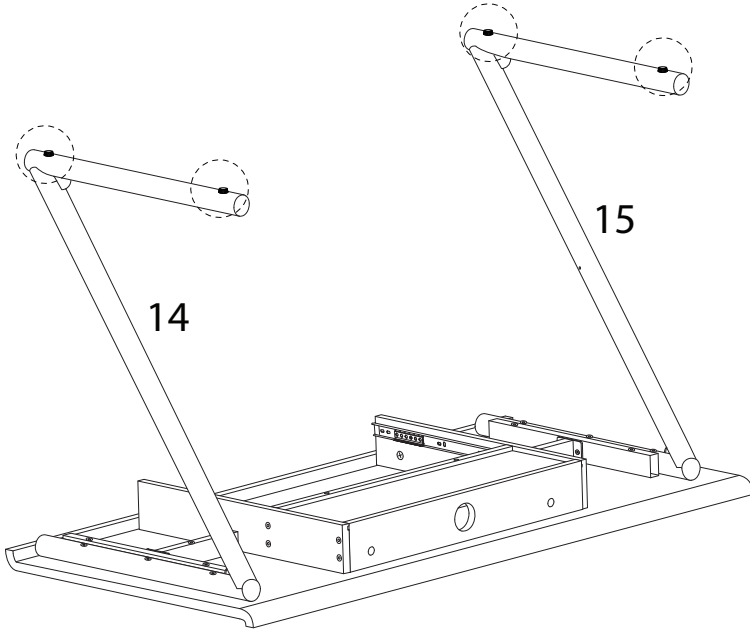
N



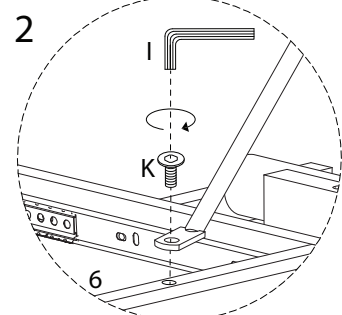
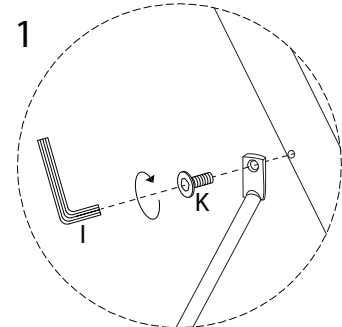
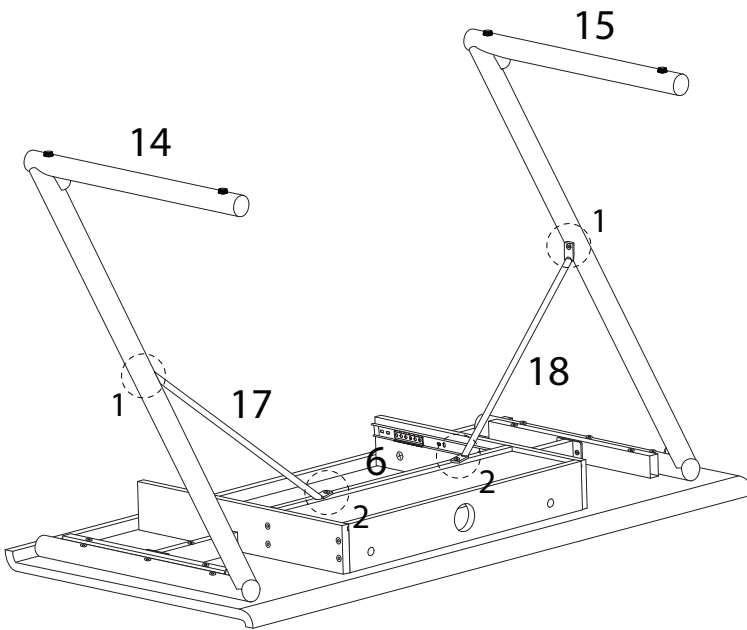
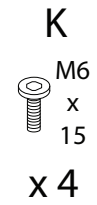
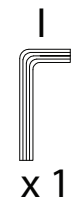
x 4



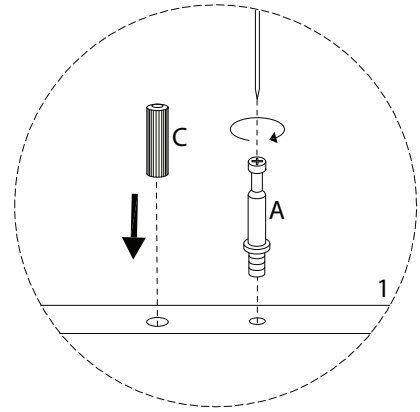
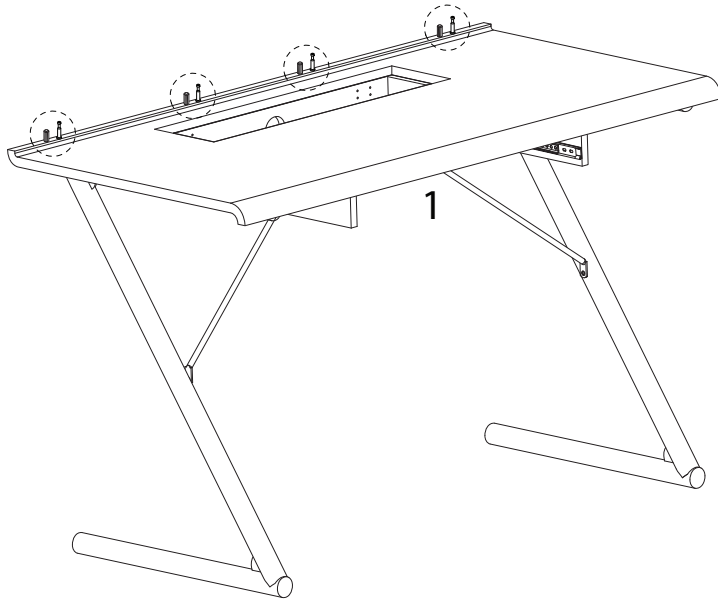
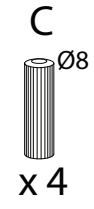
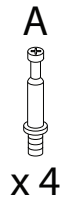
13



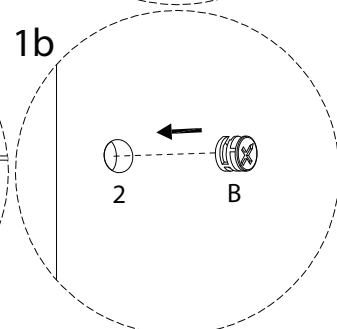
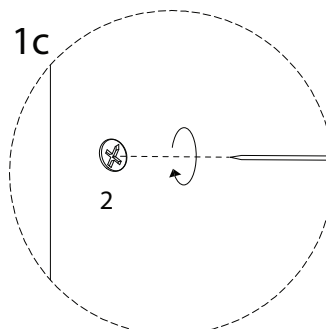
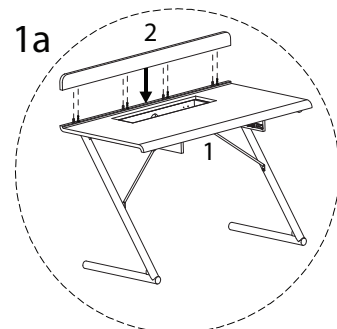
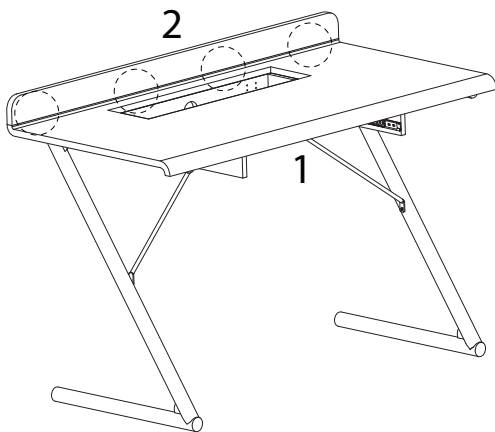
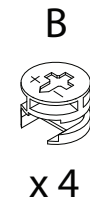
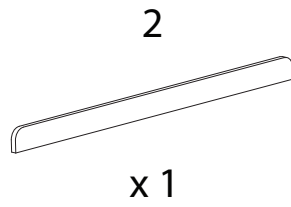
14



15

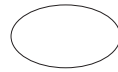


16

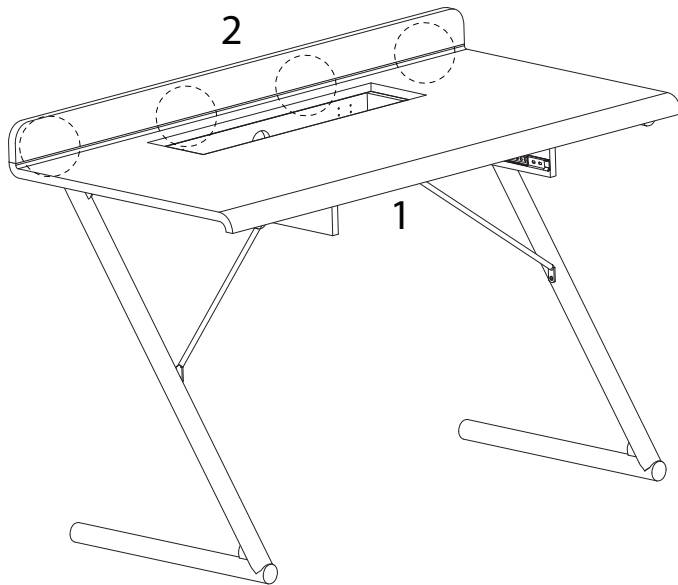


17

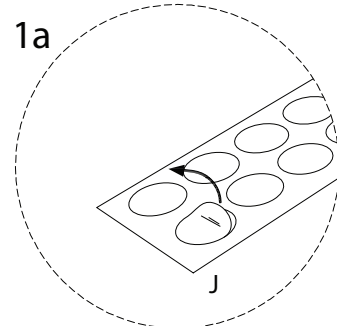
J



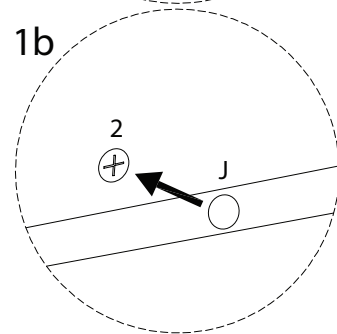
x 4



1a



1b



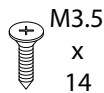
18

3



x 1

G



M3.5
x
14

x 4

P

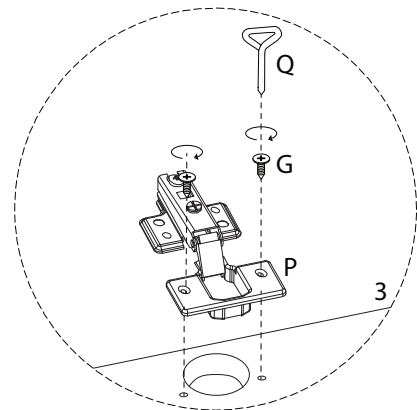
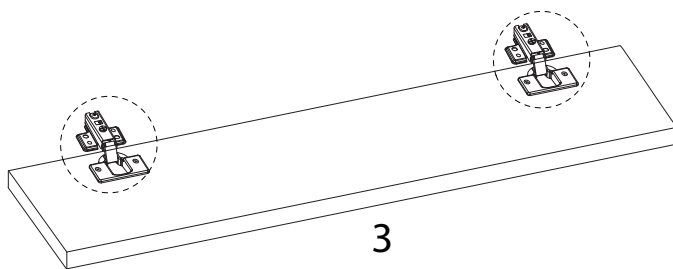


x 2

Q

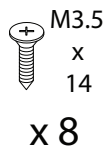


x 1

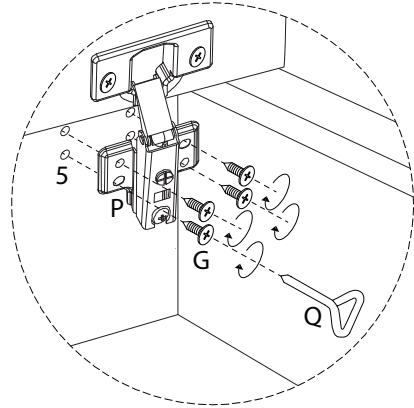
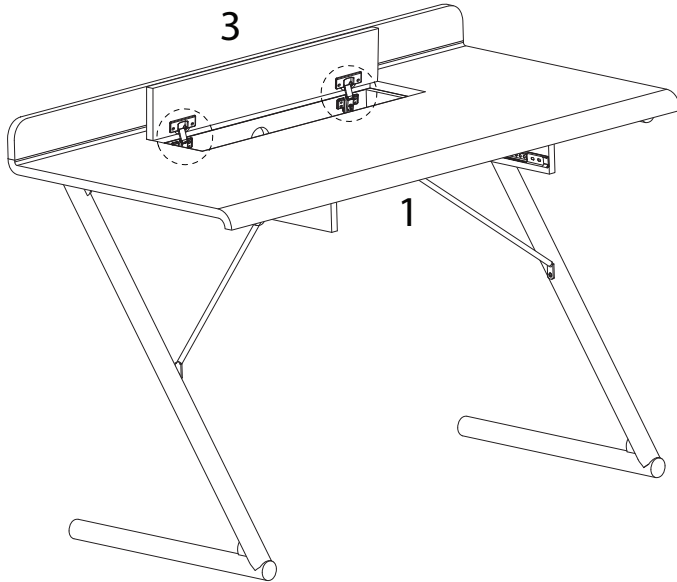


19

G

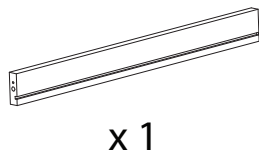


Q

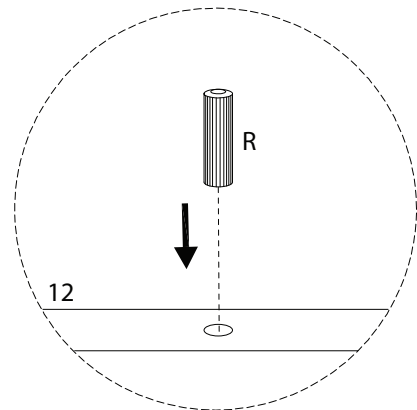
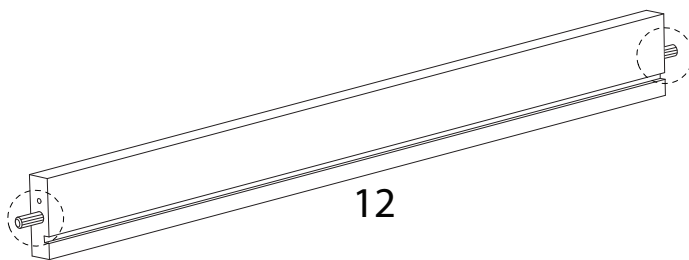
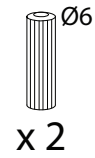


20

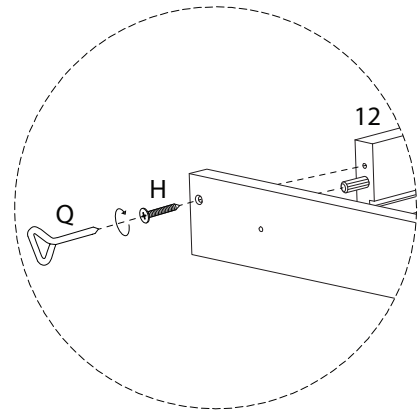
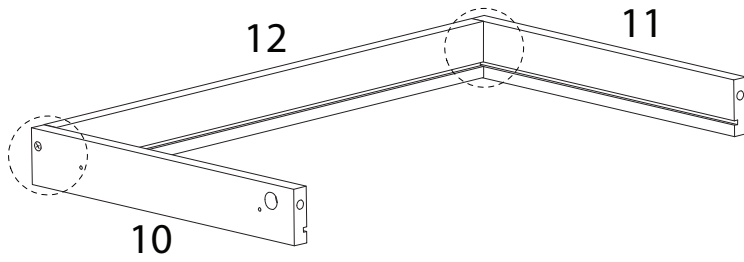
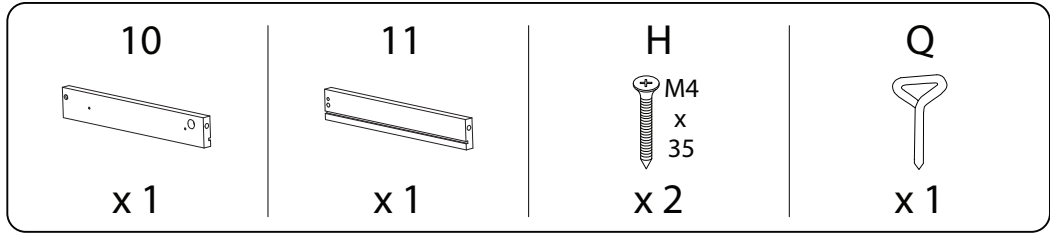
12



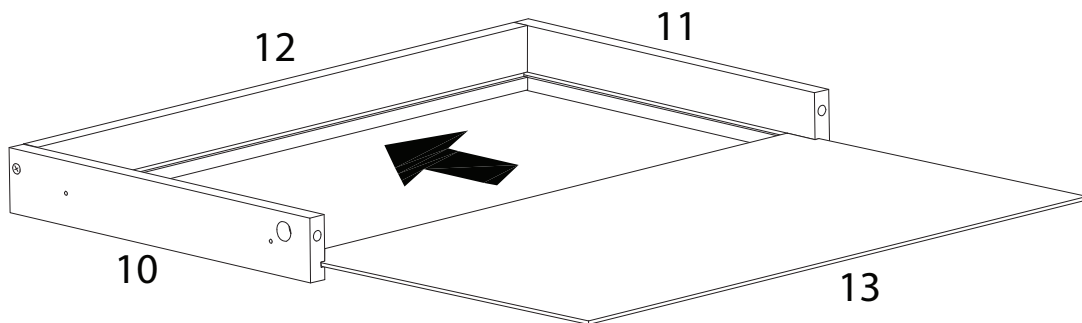
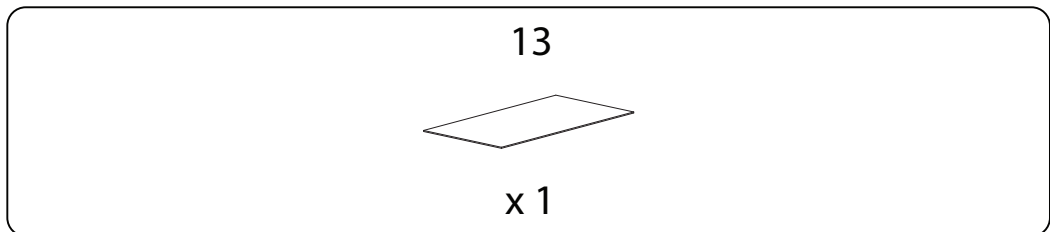
R



21

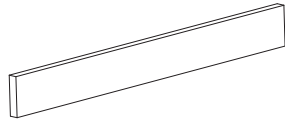


22



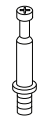
23

9

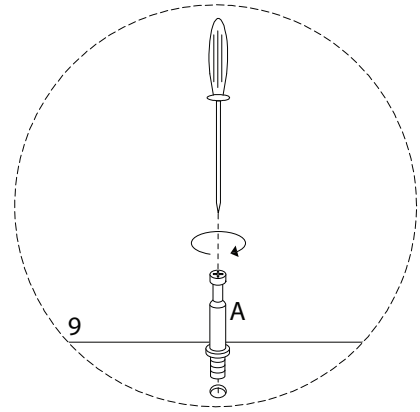
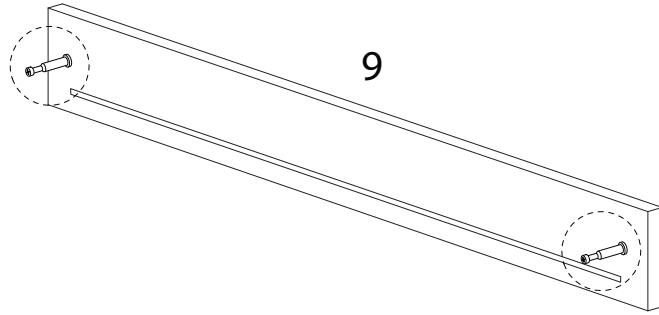


x 1

A



x 2

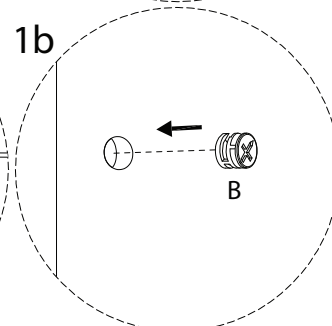
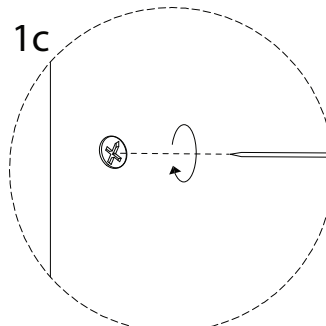
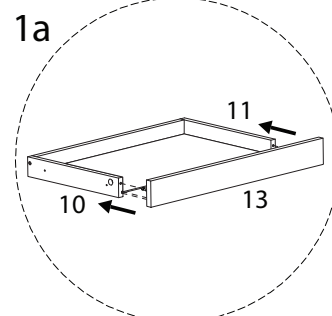
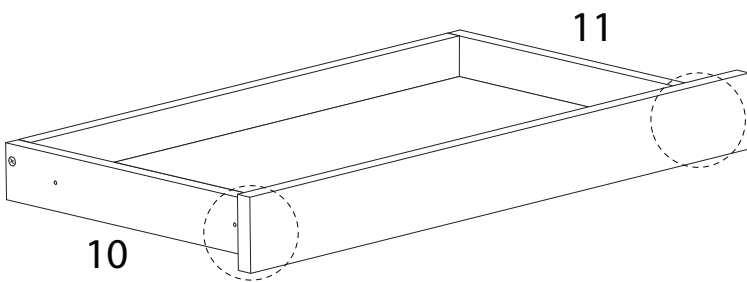


24

B

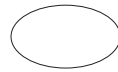


x 2

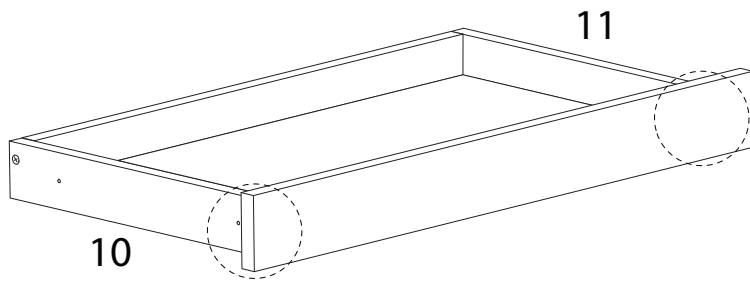


25

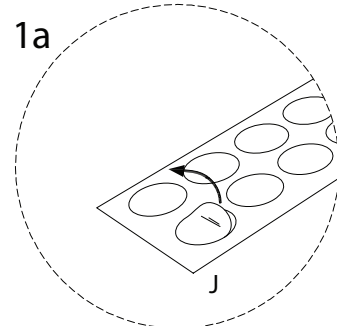
J



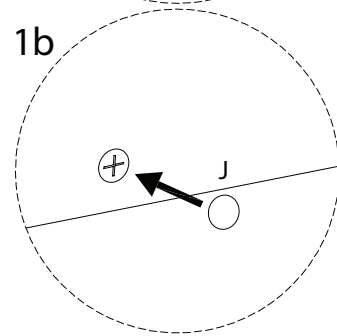
x2



1a

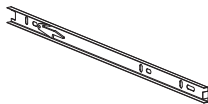


1b



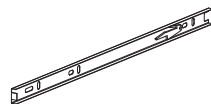
26

F1



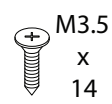
x 1

F2



x 1

G

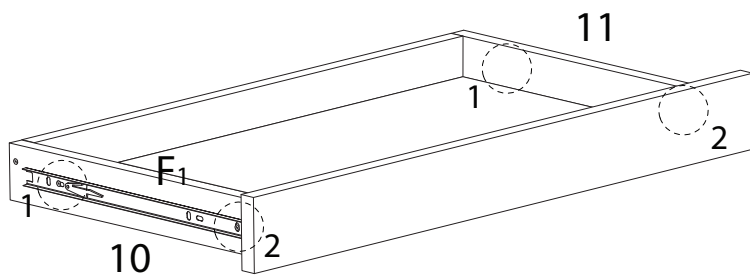


x 4

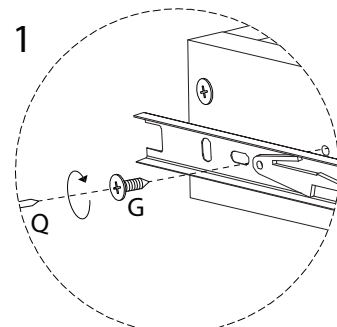
Q



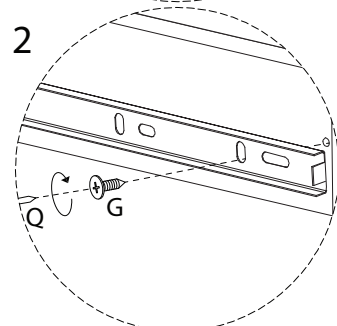
x 1



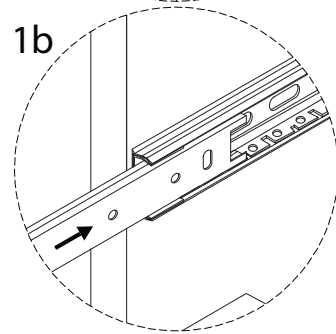
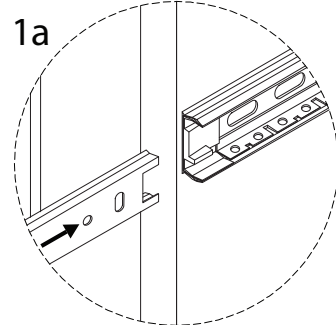
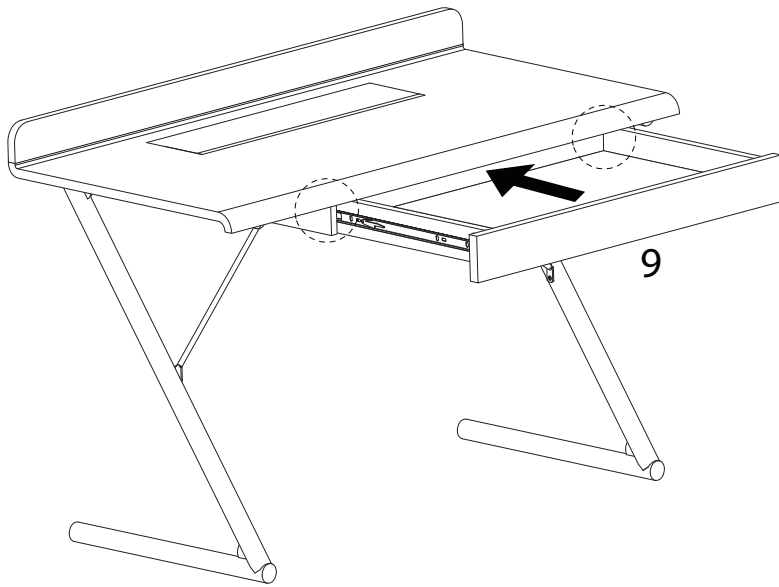
1



2



27



!

