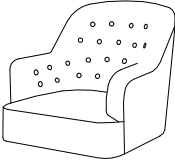



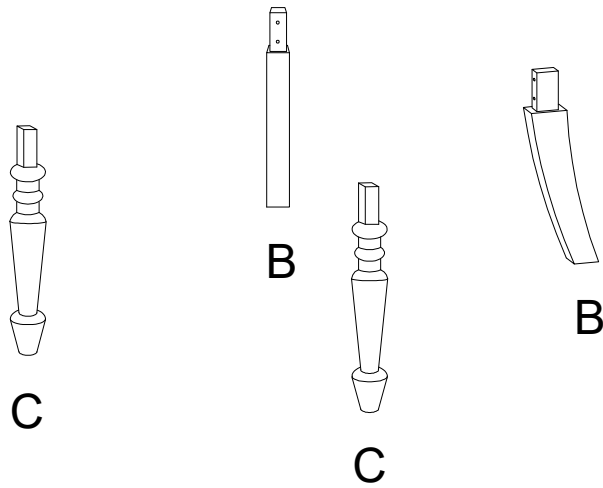
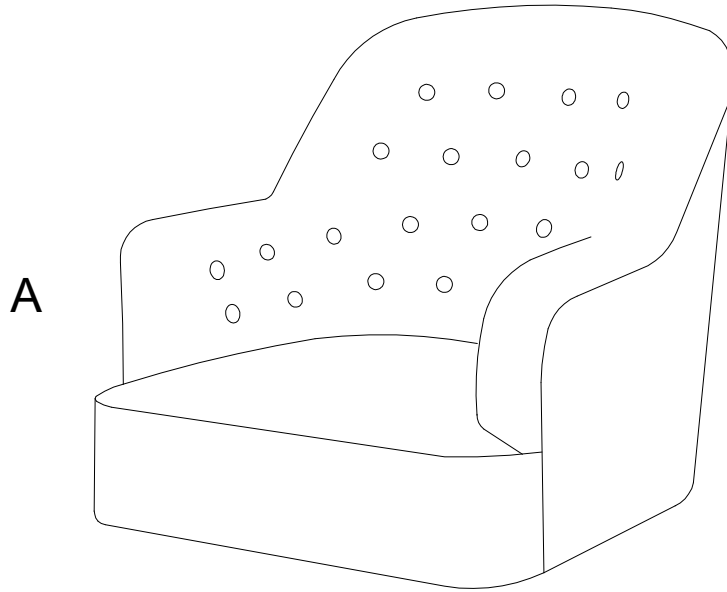


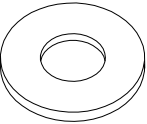
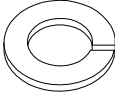
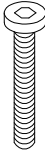
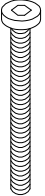
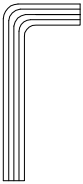
Assembly instructions for step 1/3:

- Warning:** Do not use a power drill. Use an Allen key (shown in a circle) to tighten the leg caps.
- Warning:** Do not use a power saw. Use a hand saw (shown in a circle) to cut the foam padding.
- Time:** 15 minutes (indicated by a clock icon).
- Personnel:** 1 person (indicated by a person icon).

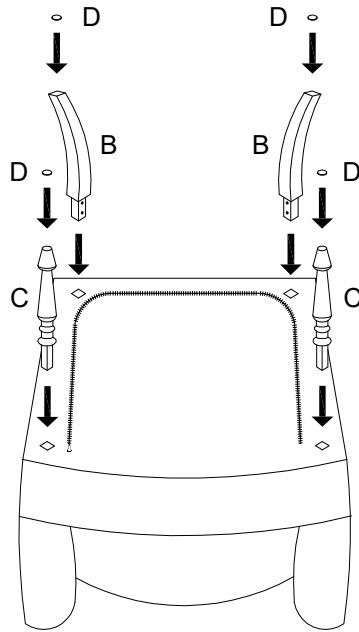
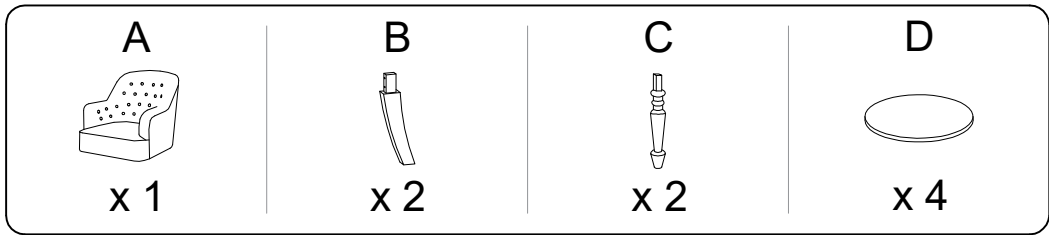
1/3

A	B	C	D
			
x 1	x 2	x 2	x 4



E	F	G	H	I
		 M8 x 55	 M8 x 80	
x 8	x 8	x 4	x 4	x 1

1



2

