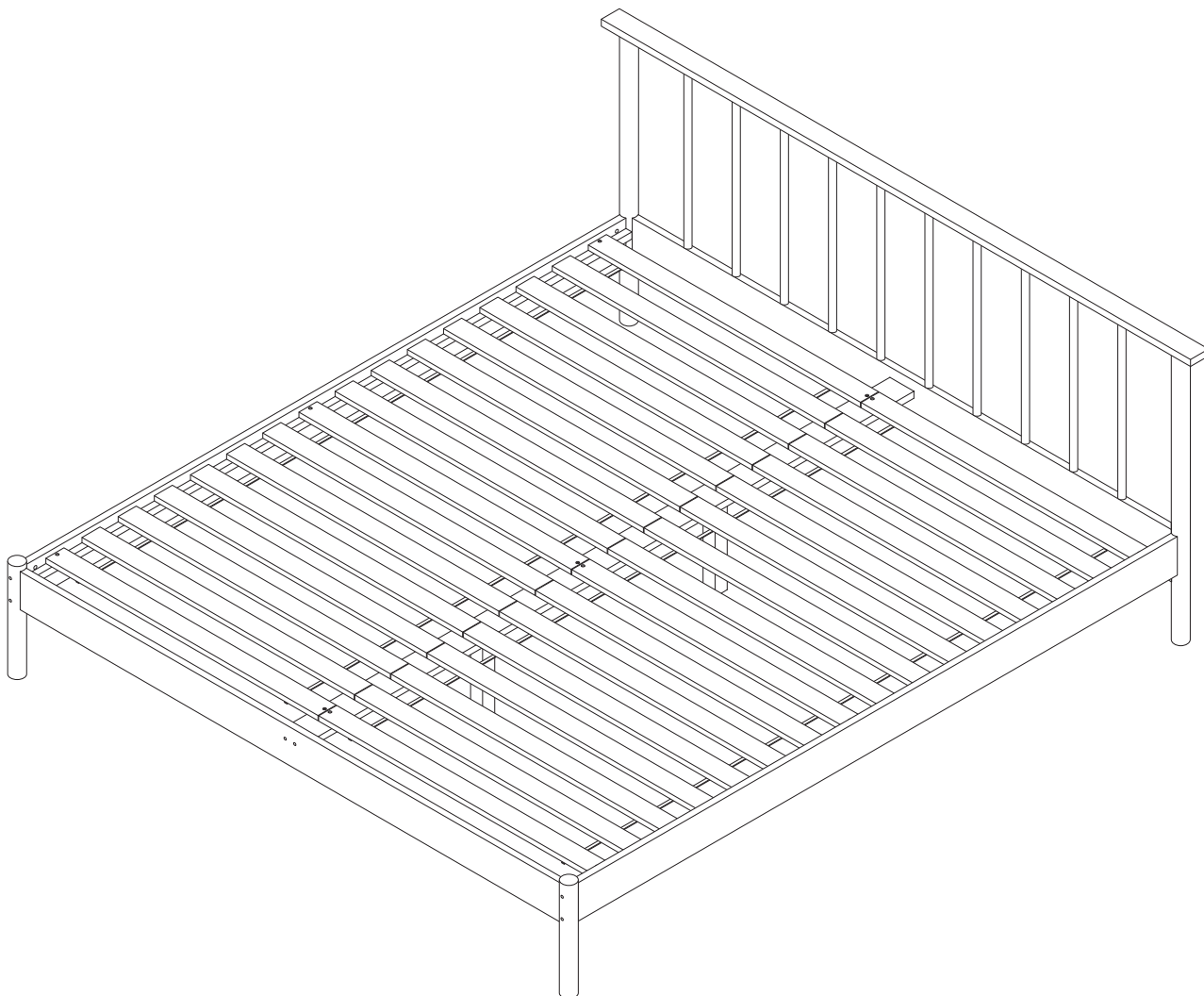
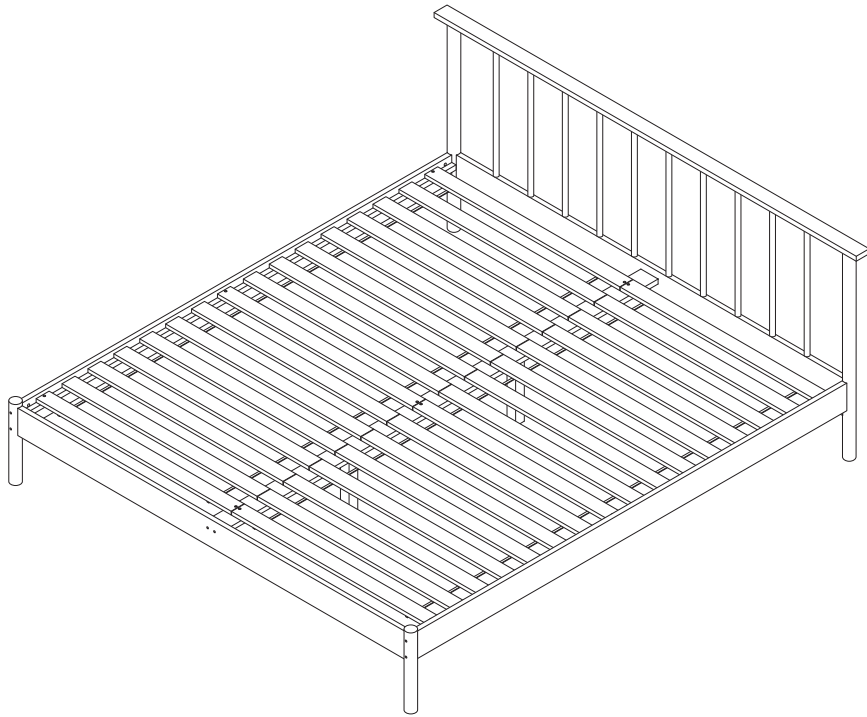


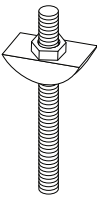
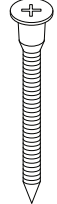
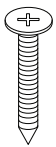
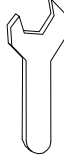
# BARRET II

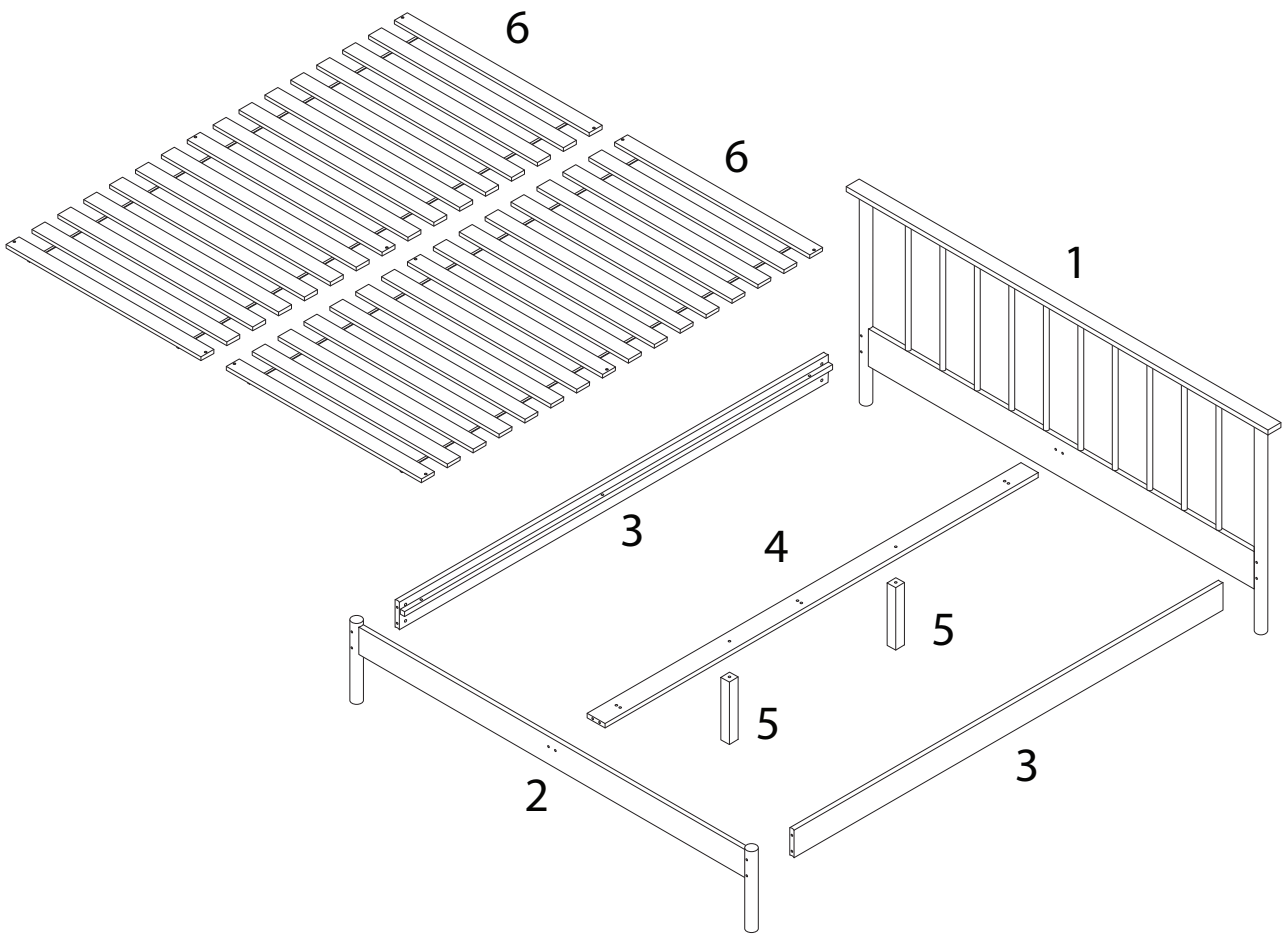


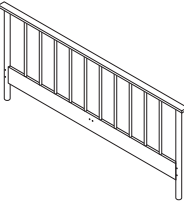
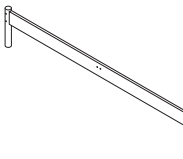
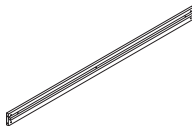
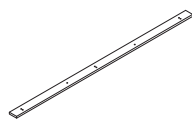

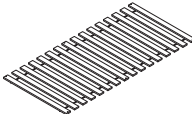


Assembly instructions for step 1/5:

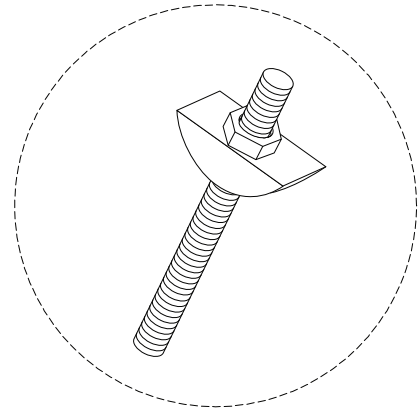
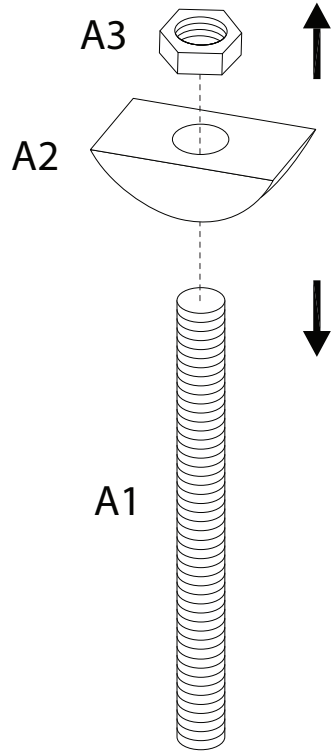
- Tools:** A circle containing a screwdriver and a wrench, and a crossed-out power drill icon, indicating that a power drill is not to be used.
- Warning:** A triangle with an exclamation mark.
- Time:** A clock icon with the text "45'" below it, indicating an estimated assembly time of 45 minutes.
- Personnel:** A person icon with the number "2" below it, indicating that two people are required for assembly.

<p><b>A</b></p>  <p>M8 x 80</p> <p>x 8</p>	<p><b>B</b></p>  <p>M7 x 50</p> <p>x 6</p>	<p><b>C</b></p>  <p>M3.5 x 30</p> <p>x 12</p>	<p><b>D</b></p>  <p>x 1</p>
---	---	--	--

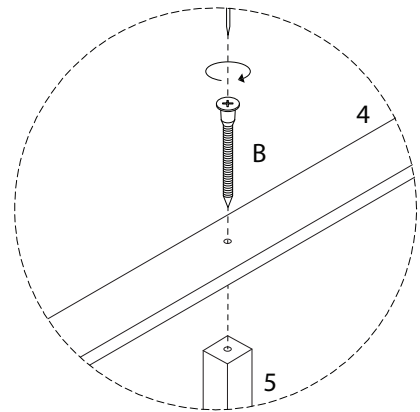
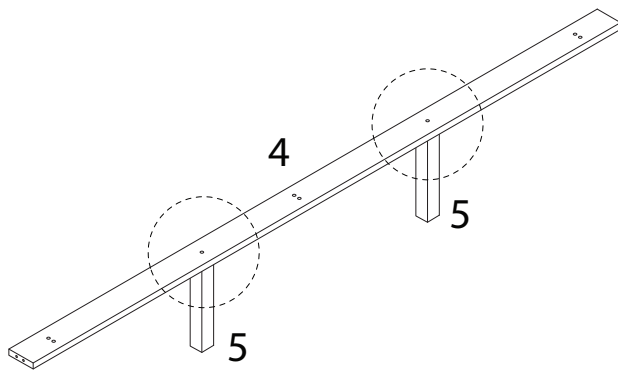
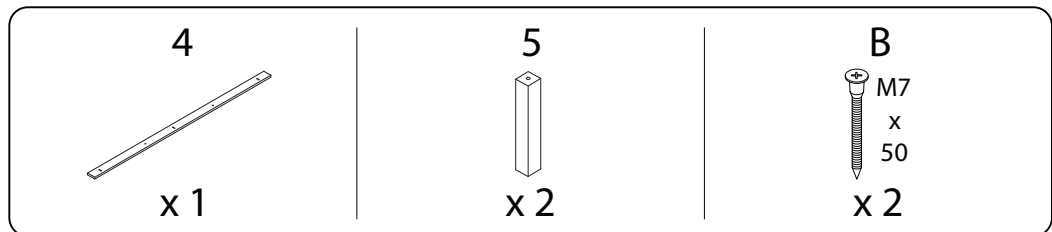


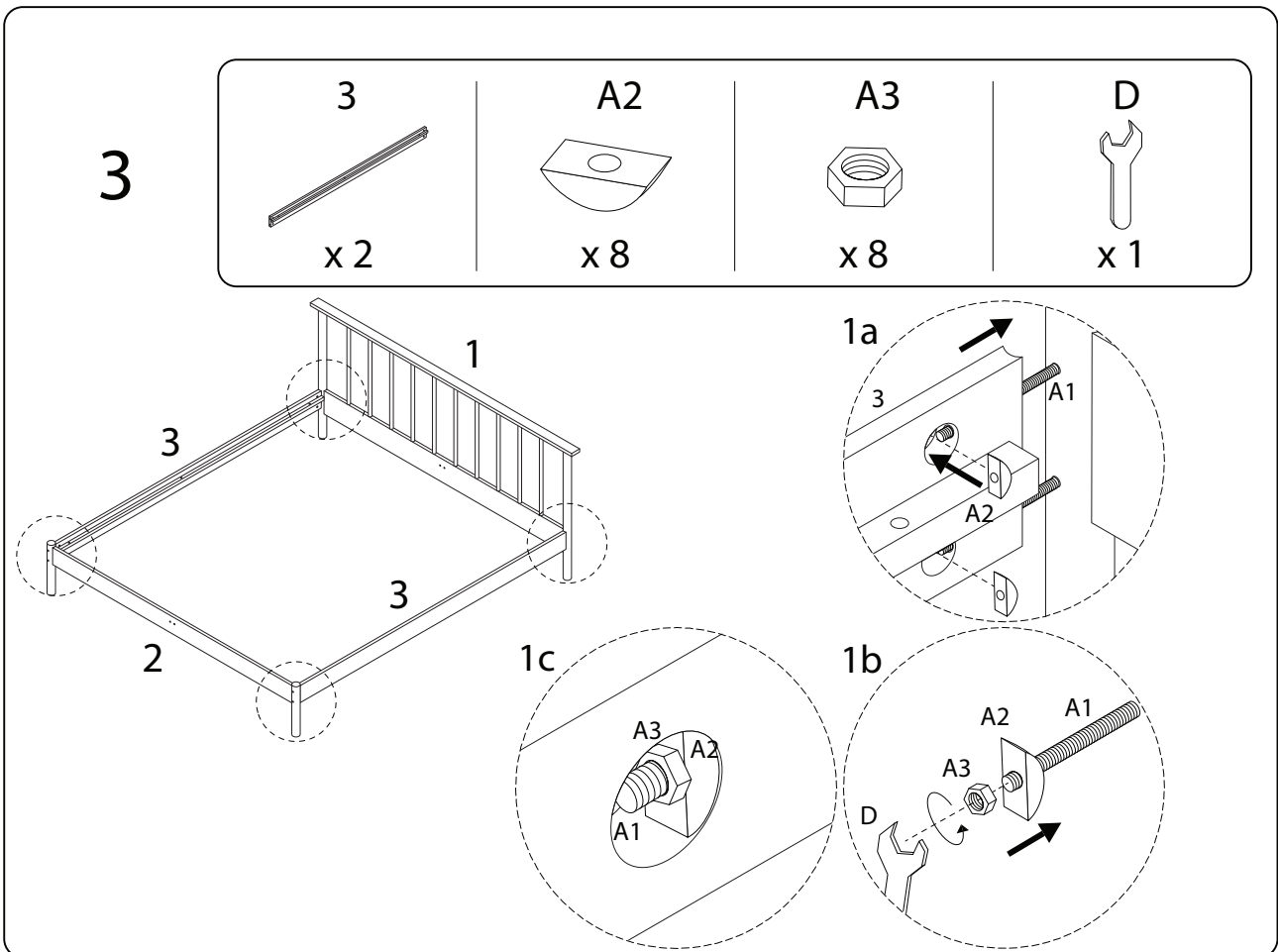
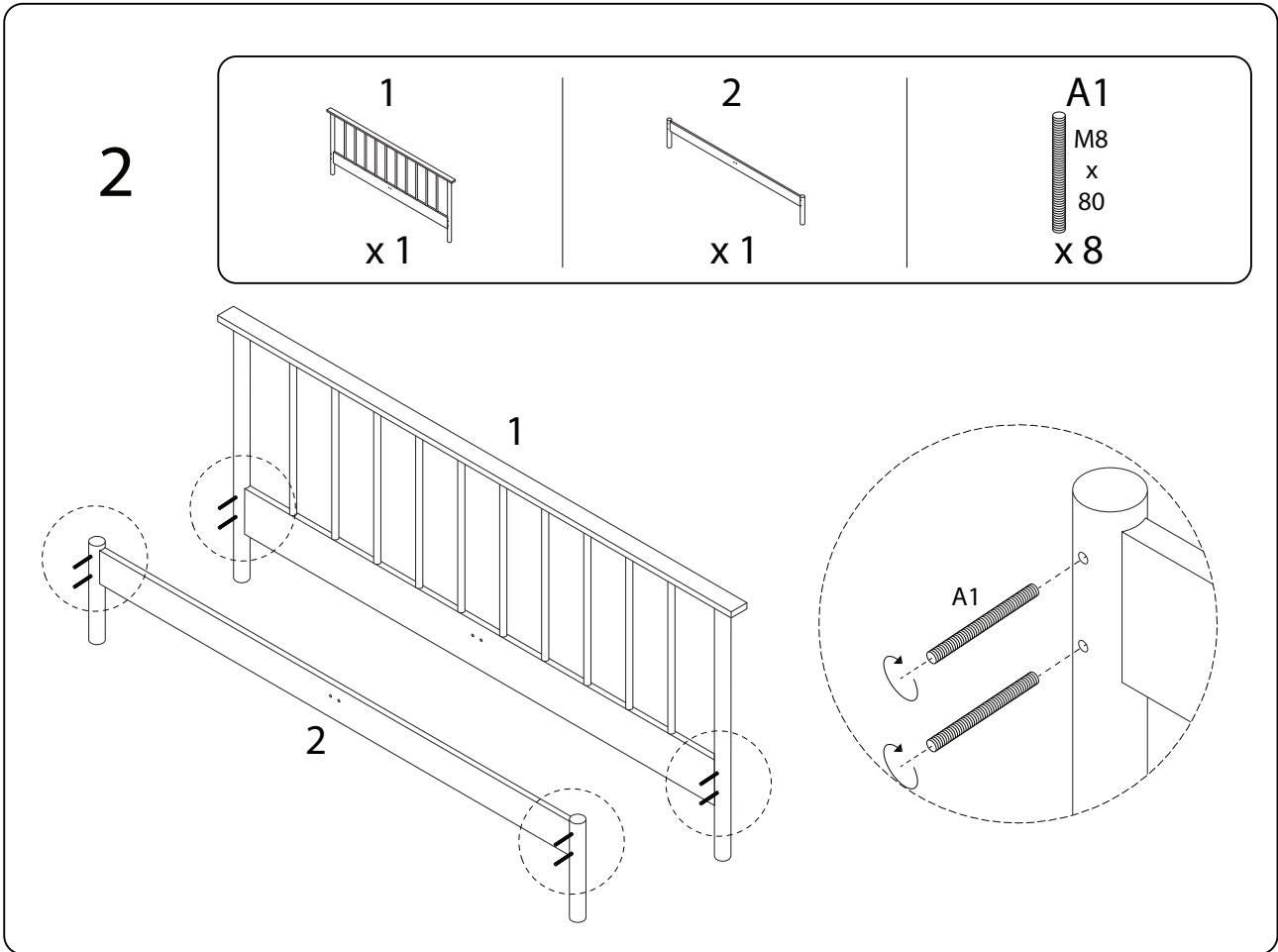
<p><b>1</b></p>  <p>x 1</p>	<p><b>2</b></p>  <p>x 1</p>	<p><b>3</b></p>  <p>x 2</p>	<p><b>4</b></p>  <p>x 1</p>	<p><b>5</b></p>  <p>x 2</p>	<p><b>6</b></p>  <p>x 2</p>
--	--	--	--	--	--

!



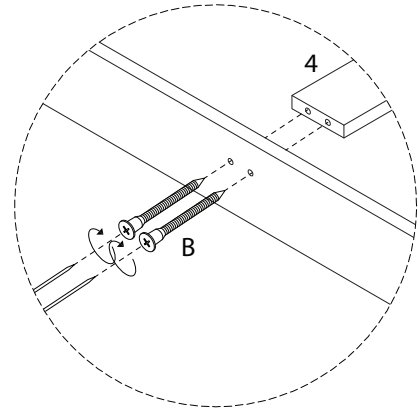
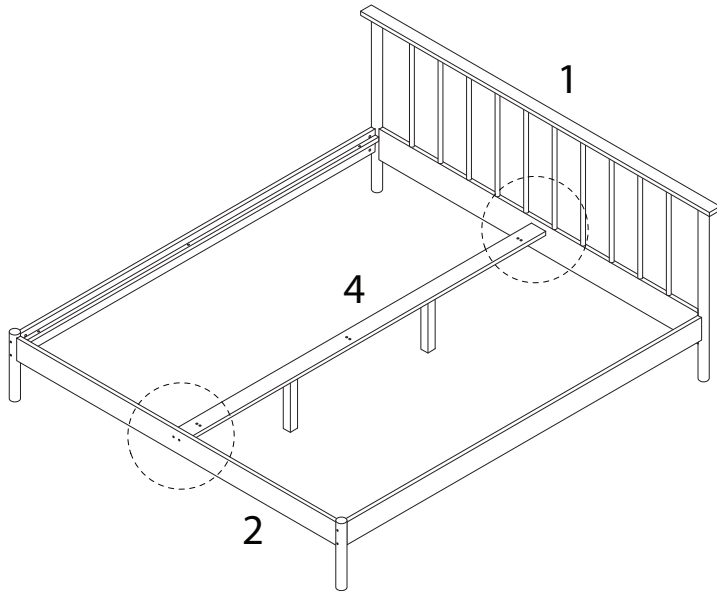
1





4

B  
M7  
x  
50  
x 4



5

6  
x 2

C  
M3.5  
x  
30  
x 12

