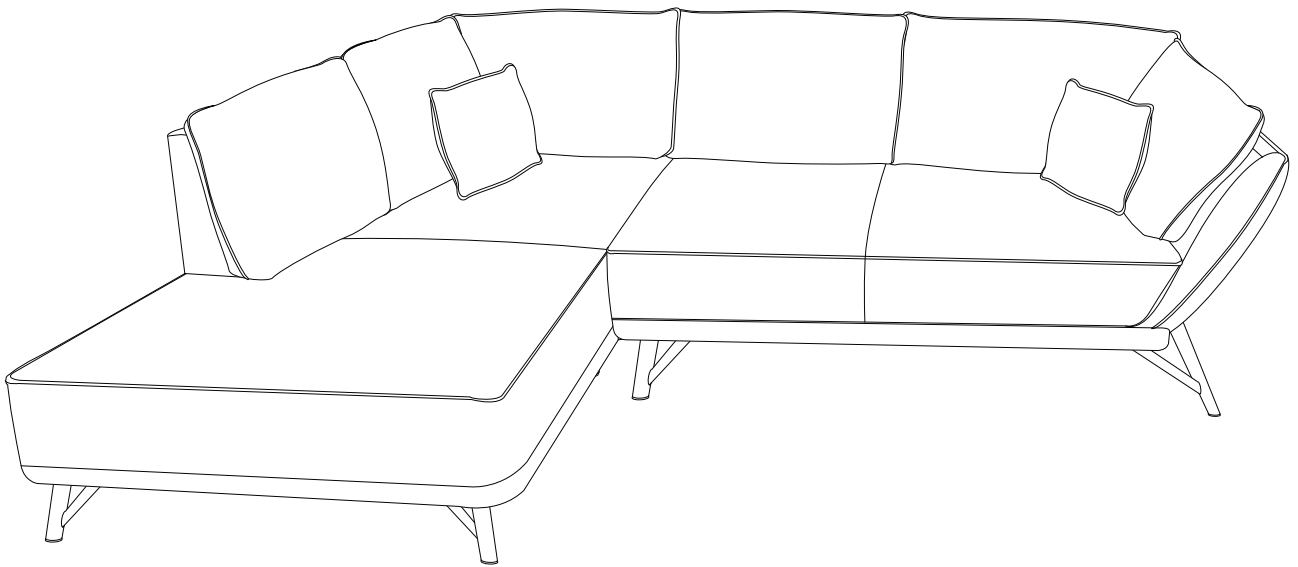
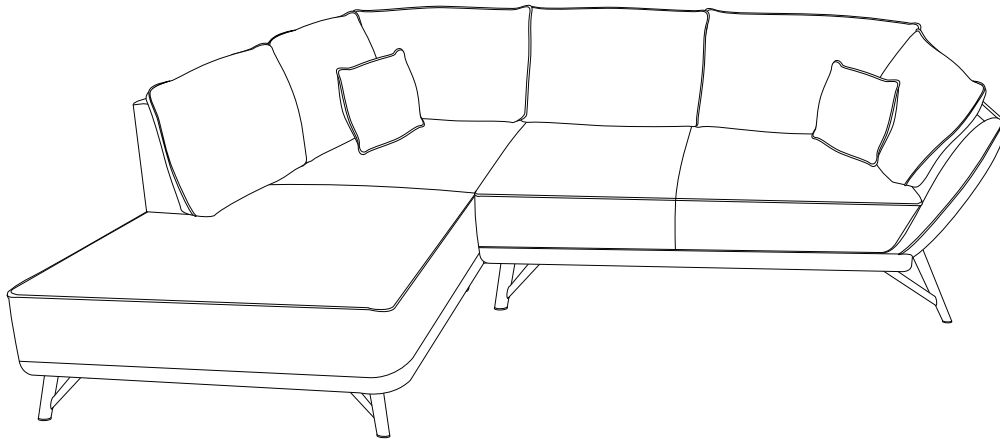
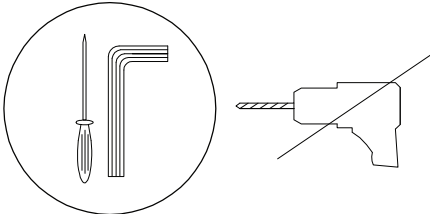

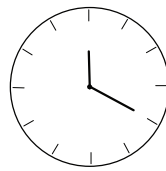
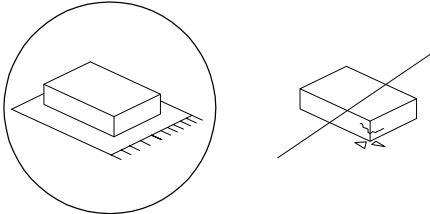

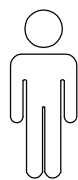
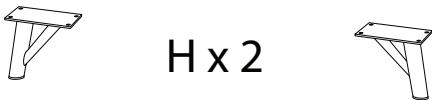
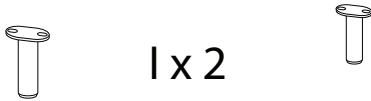
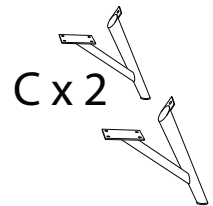
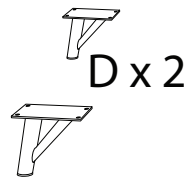
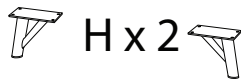
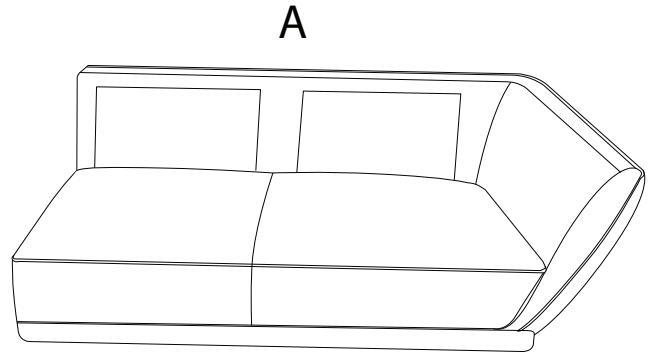
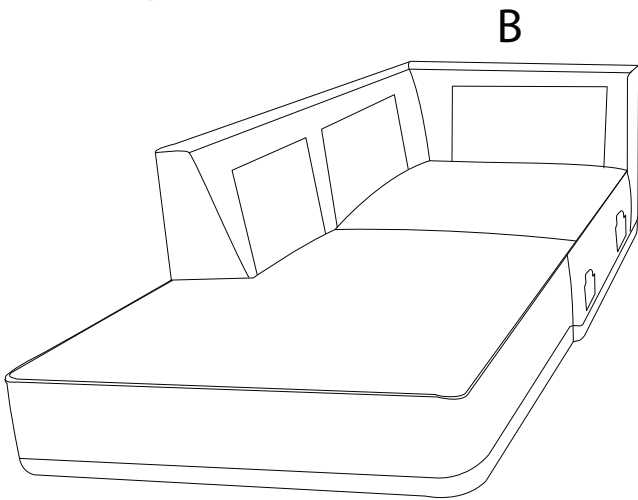
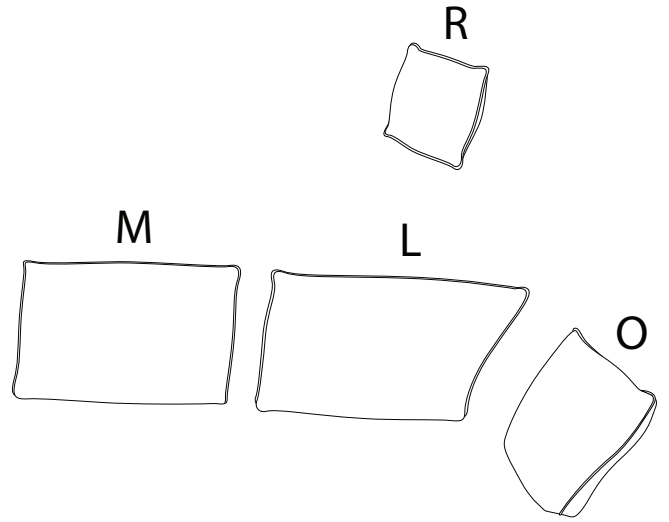
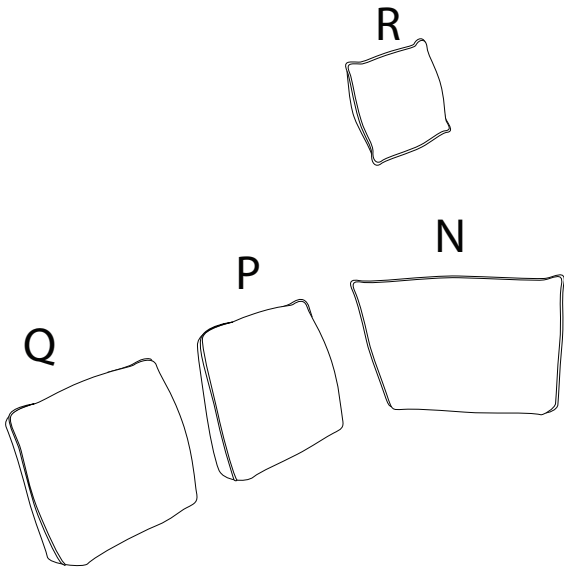


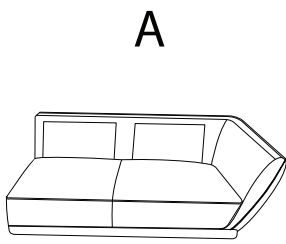
# ELGA



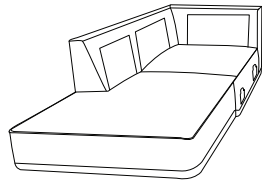


		
		
		<p>20'</p>
		<p>2</p>

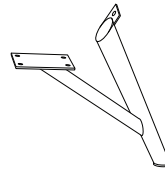




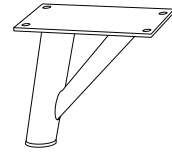
x 1



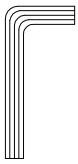
x 1



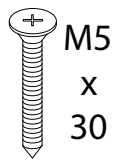
x 2



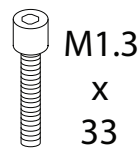
x 2



x 1



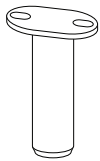
x 16



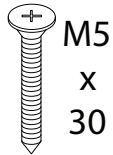
x 2



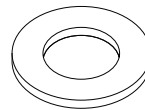
x 4



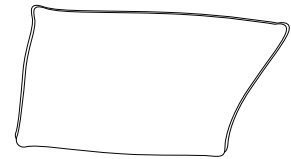
x 2



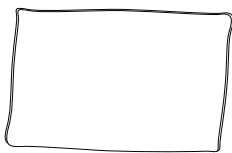
x 20



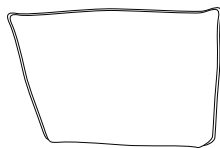
x 4



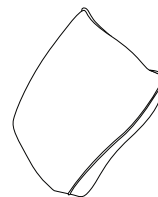
x 1



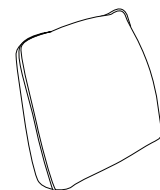
x 1



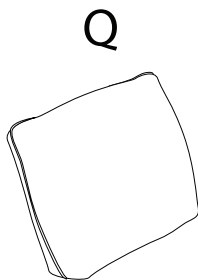
x 1



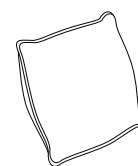
x 1



x 1

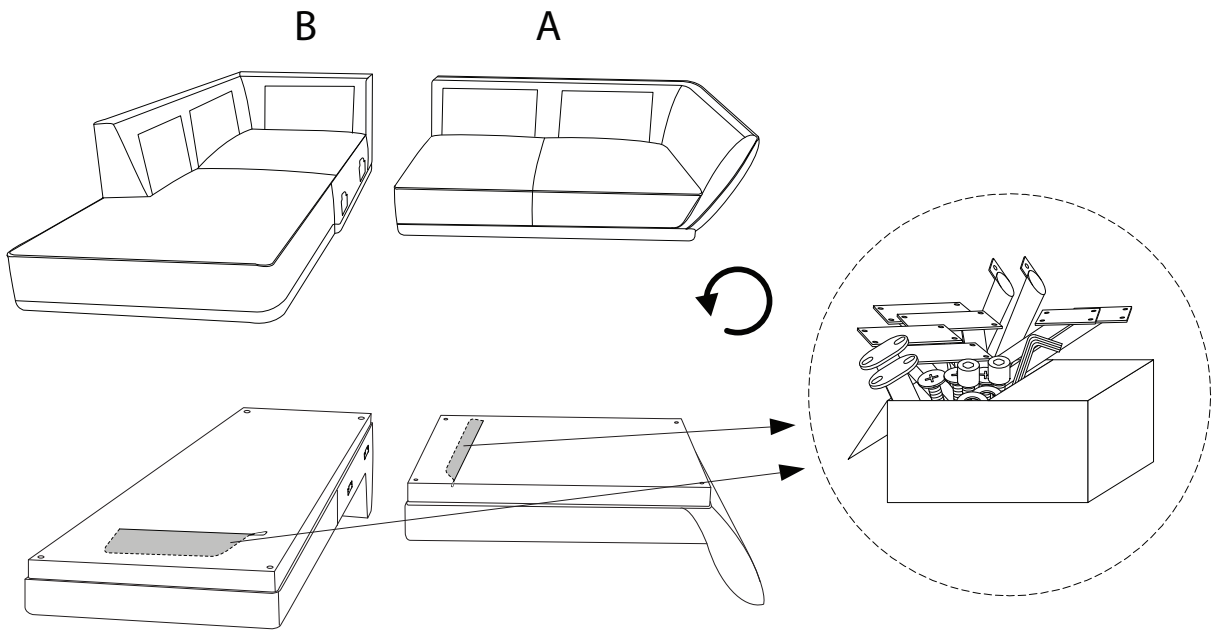


x 1

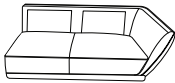
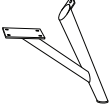
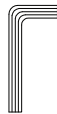
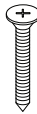



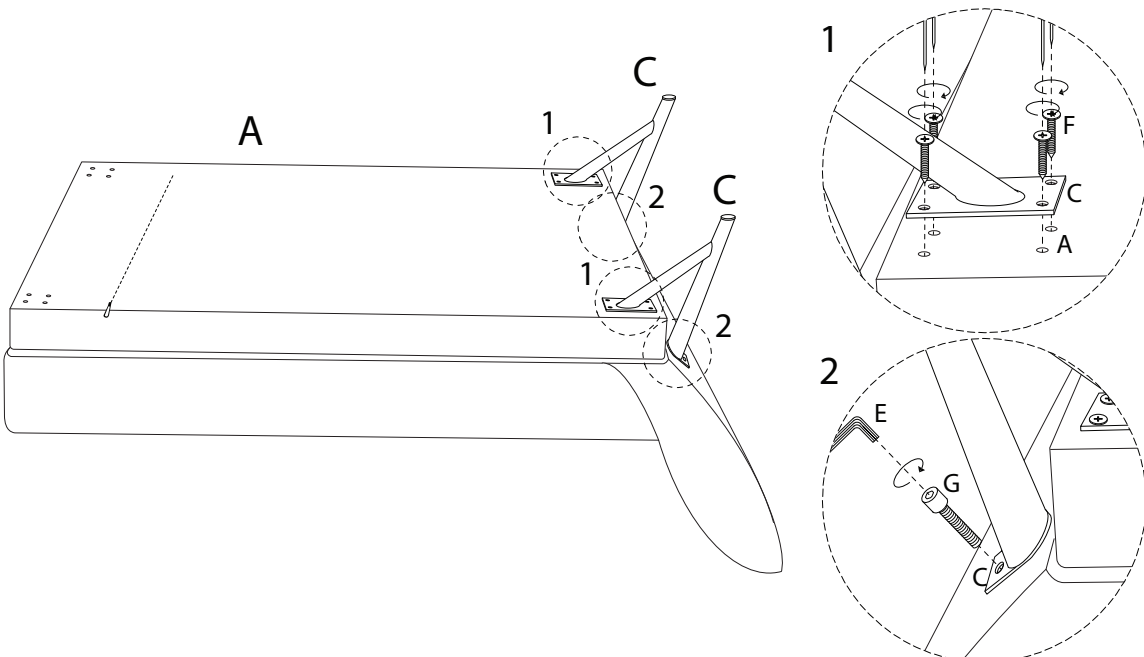
x 2

!

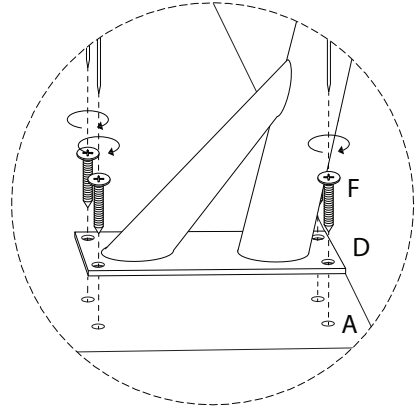
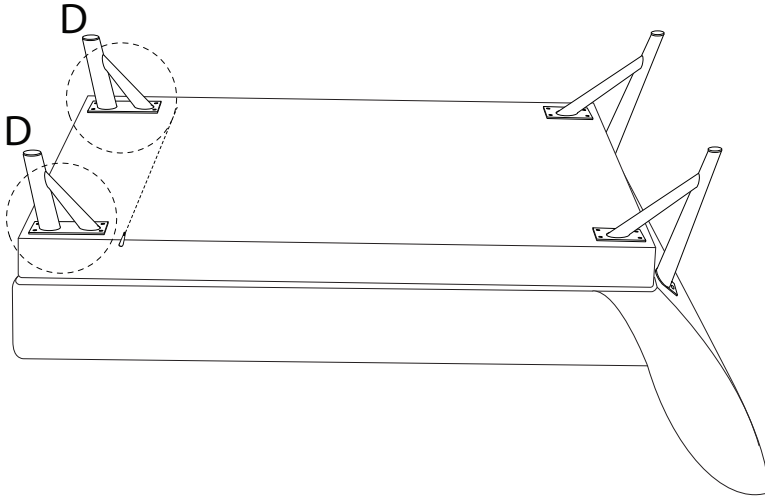
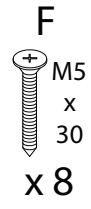


1

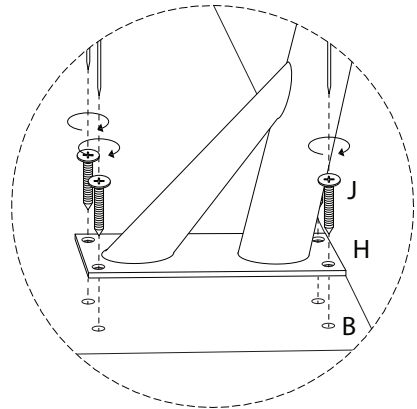
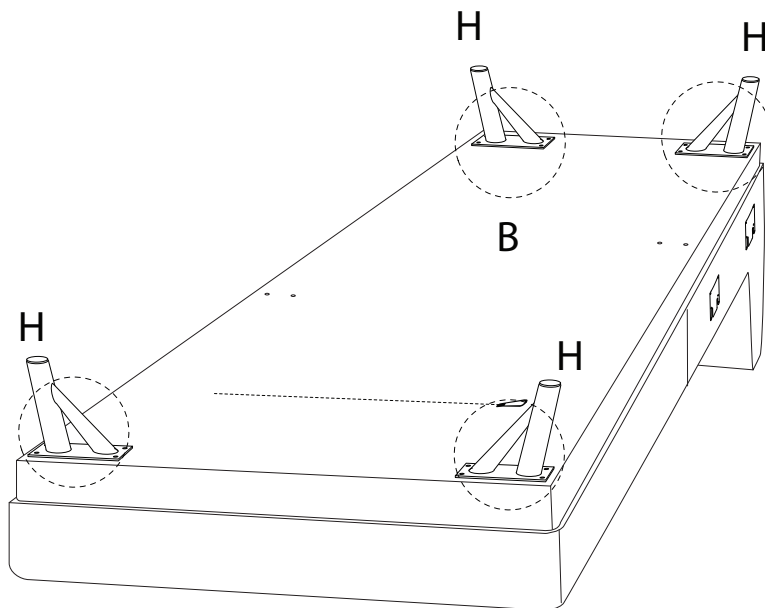
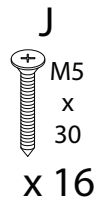
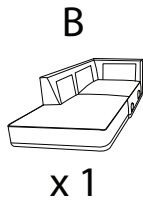
<b>A</b>  x 1	<b>C</b>  x 2	<b>E</b>  x 1	<b>F</b>  M5 x 30 x 8	<b>G</b>  M1.3 x 33 x 2
--	--	--	--	--



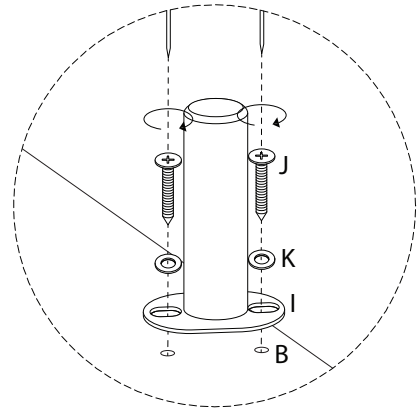
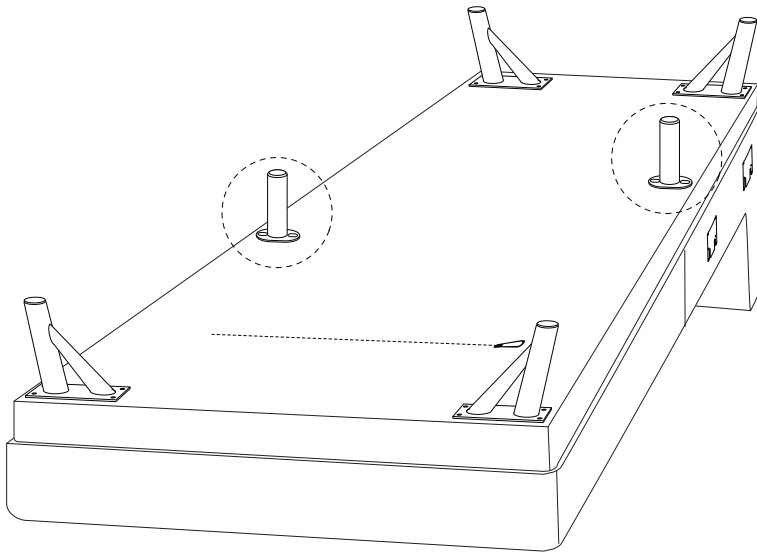
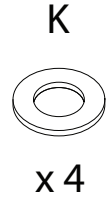
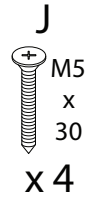
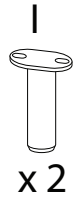
2



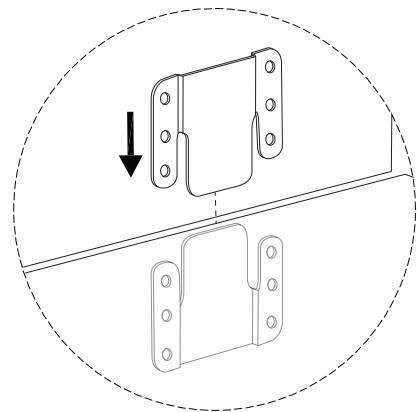
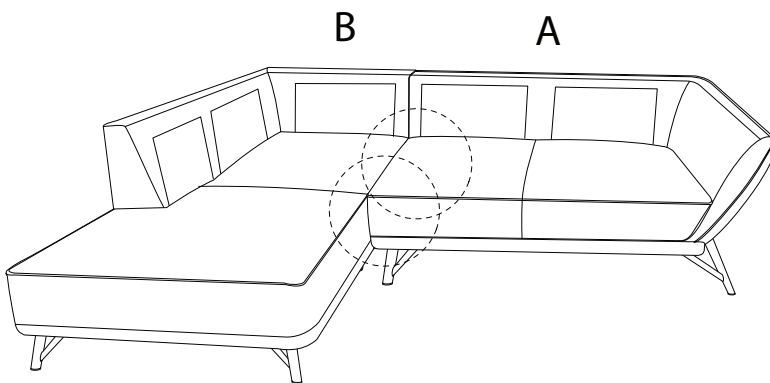
3








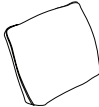
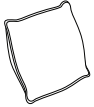
4



5



6

L	M	N	O	P	Q	R
						
x1	x1	x1	x1	x1	x1	x2

