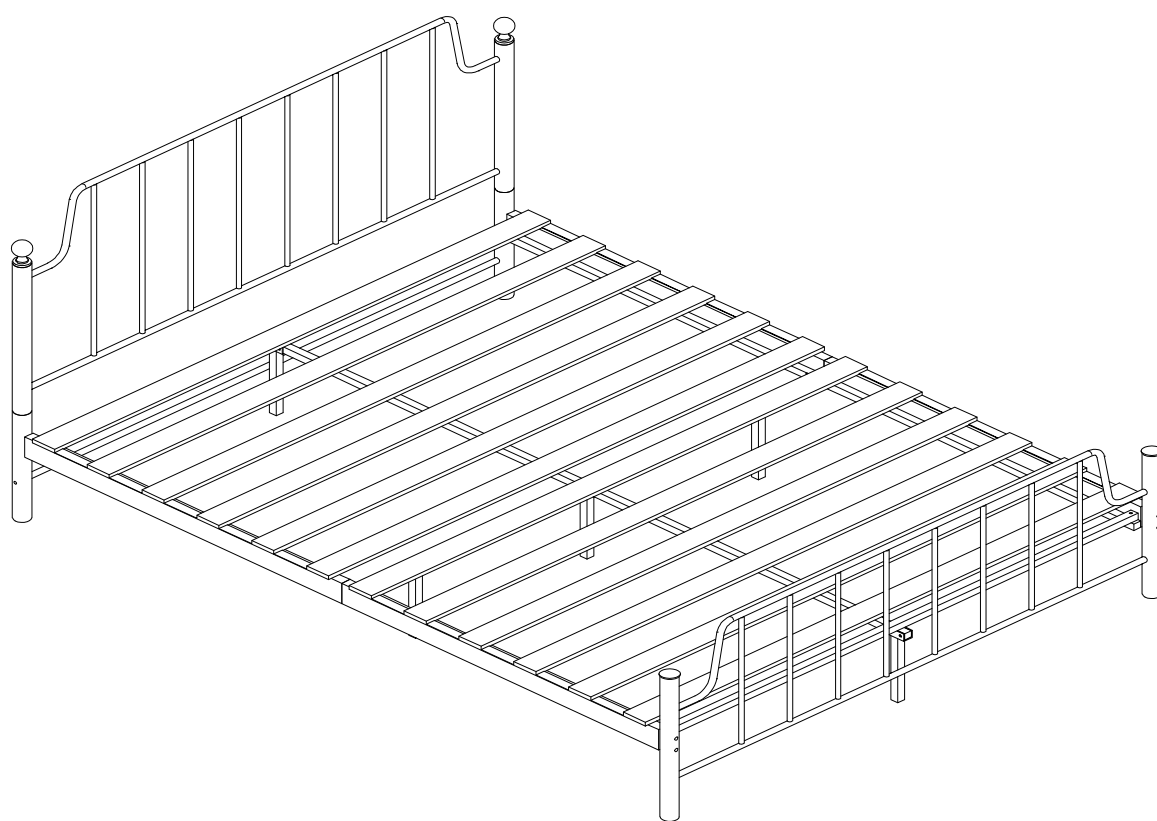
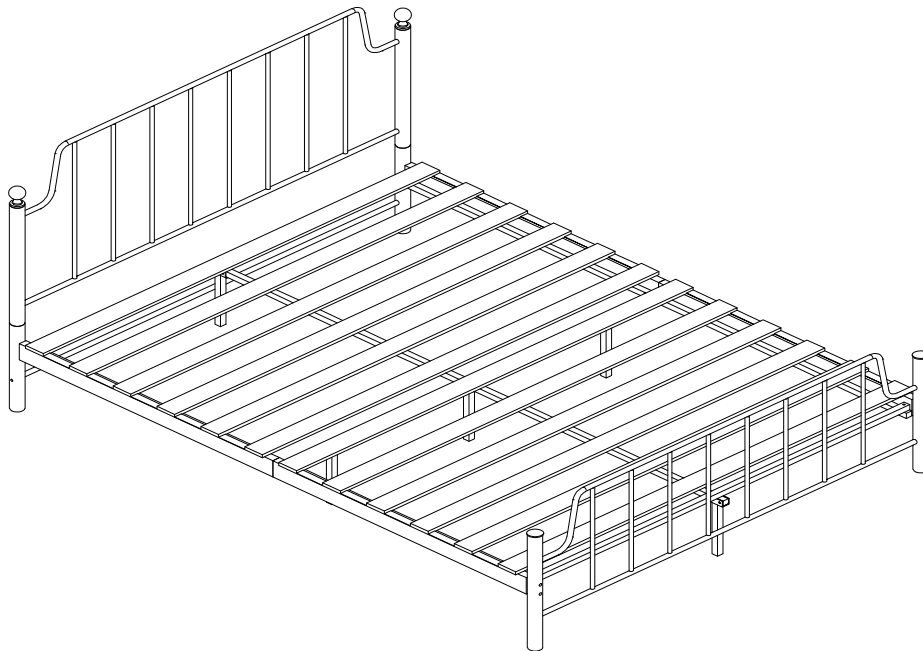
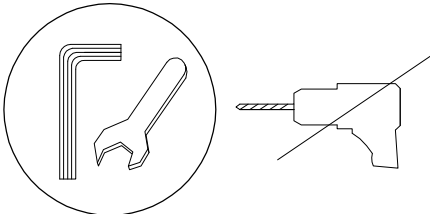

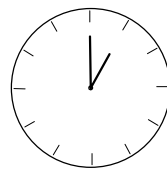
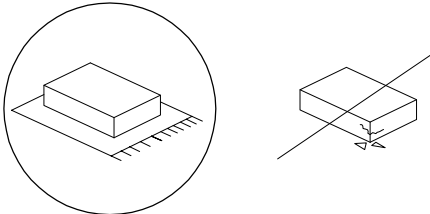

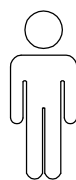
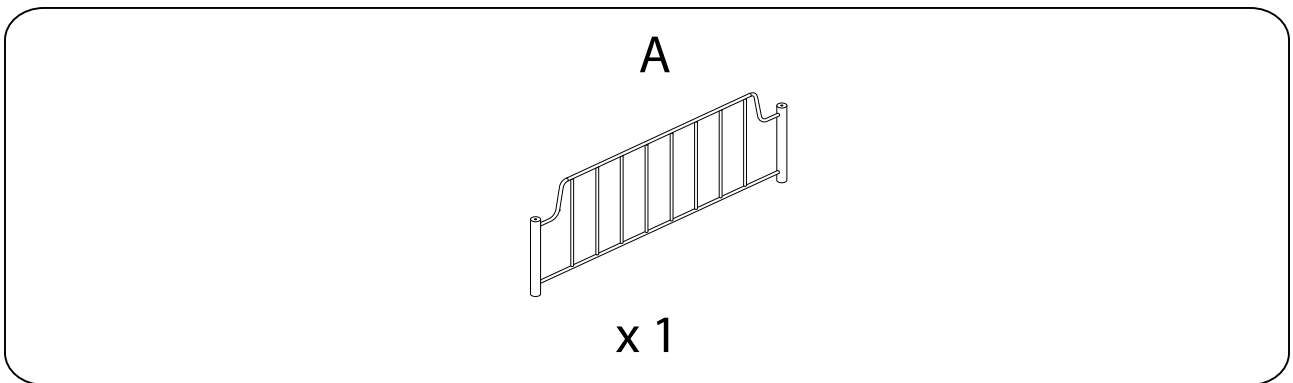
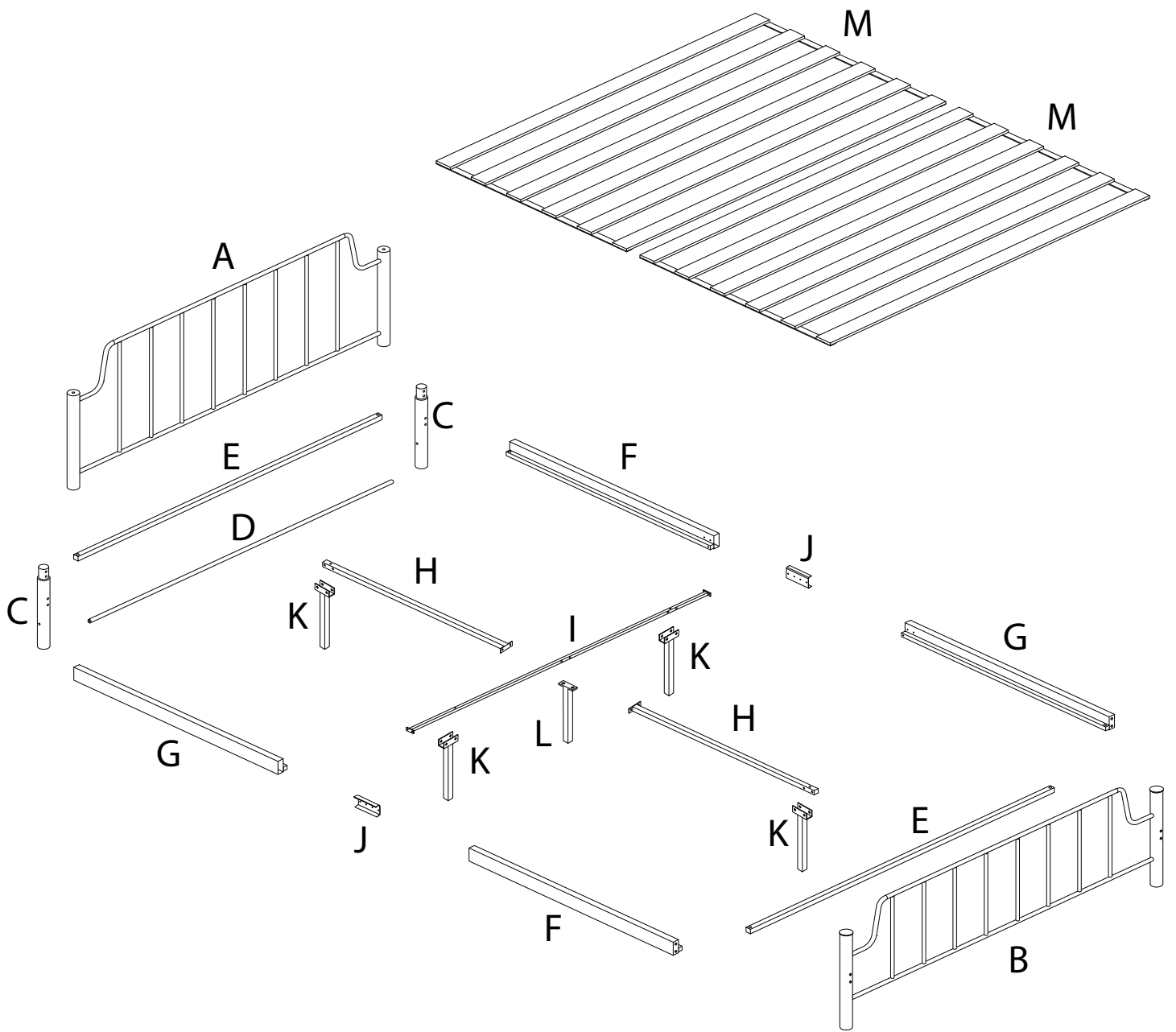


# MAURESSAC

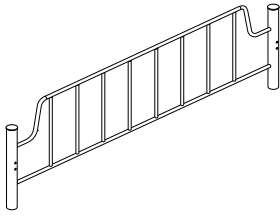




		
		<b>60'</b>
		
		<b>2</b>

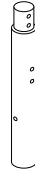


B



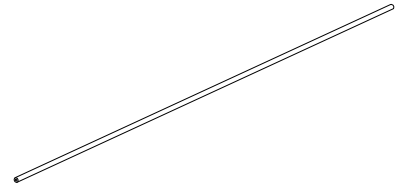
x 1

C



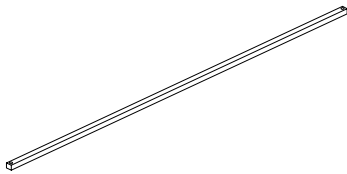
x 2

D



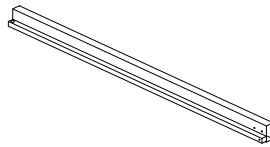
x 1

E



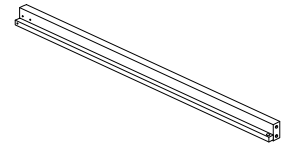
x 2

F



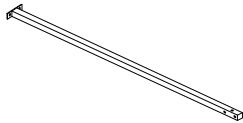
x 2

G



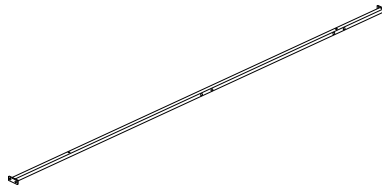
x 2

H



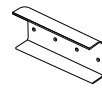
x 2

I



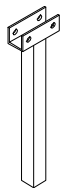
x 1

J



x 2

K



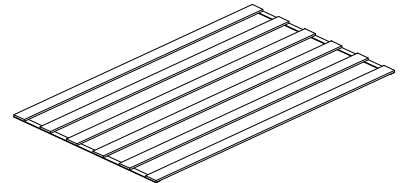
x 4

L



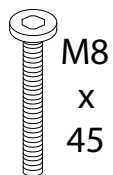
x 1

M



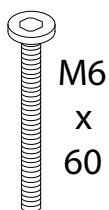
x 2

1



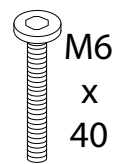
x 8

2



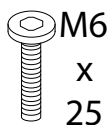
x 6

3



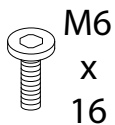
x 8

4



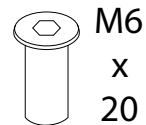
x 8

5



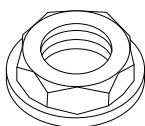
x 16

6



x 8

7



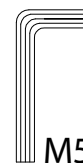
x 8

8



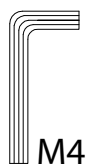
x 8

9



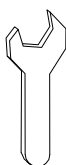
x 1

10



x 1

11



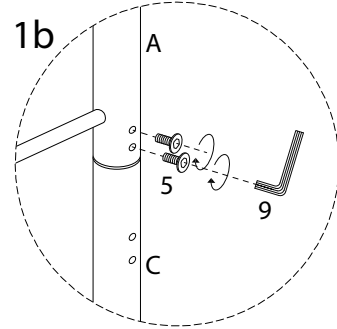
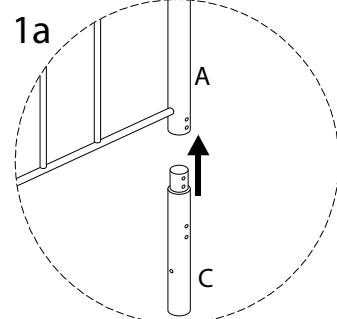
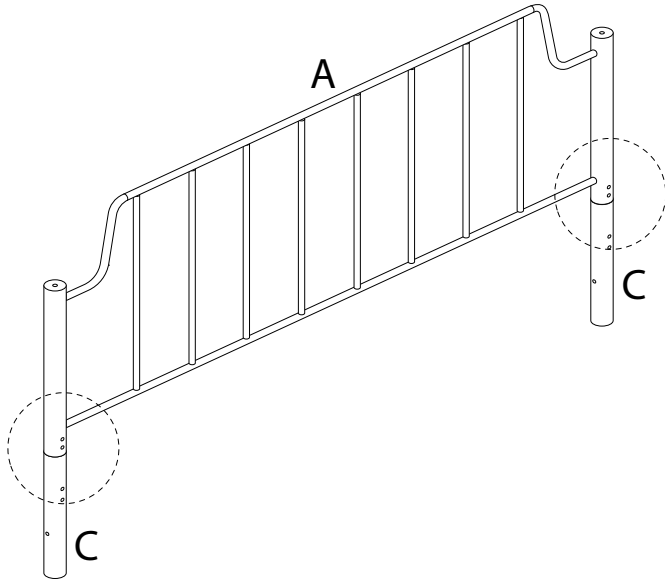
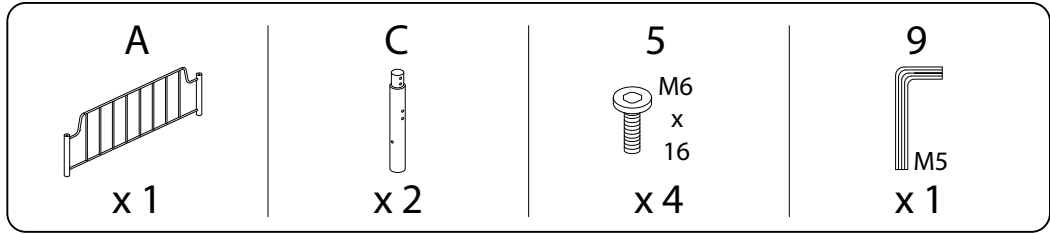
x 1

12

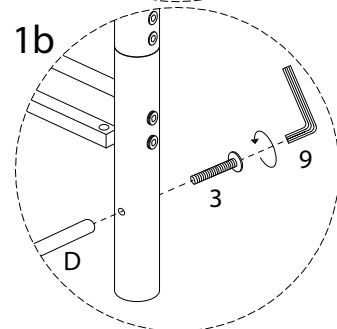
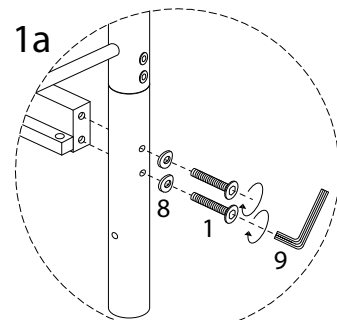
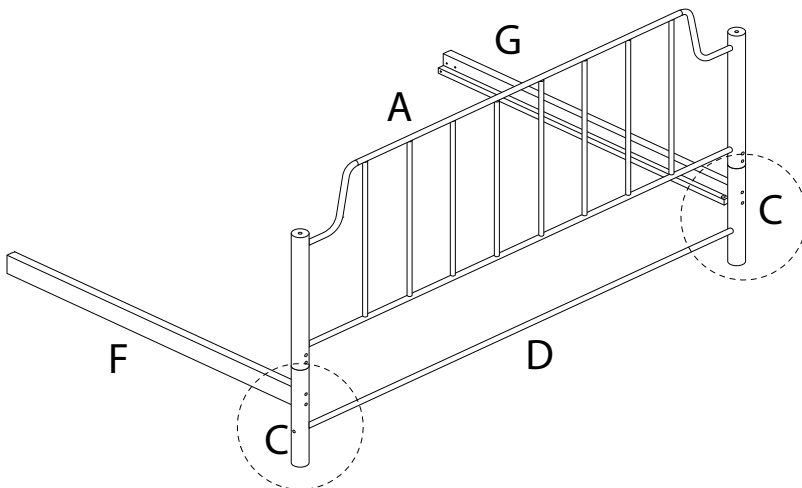
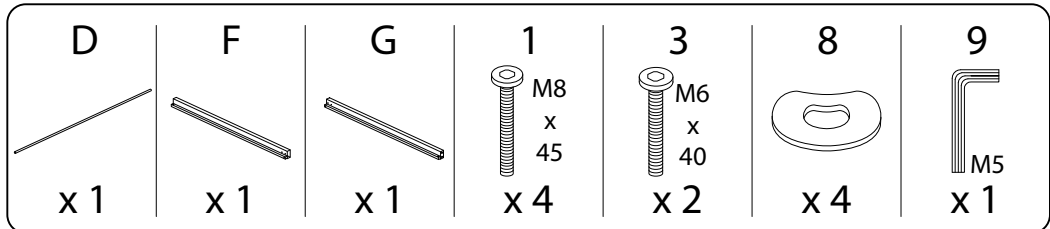


x 2

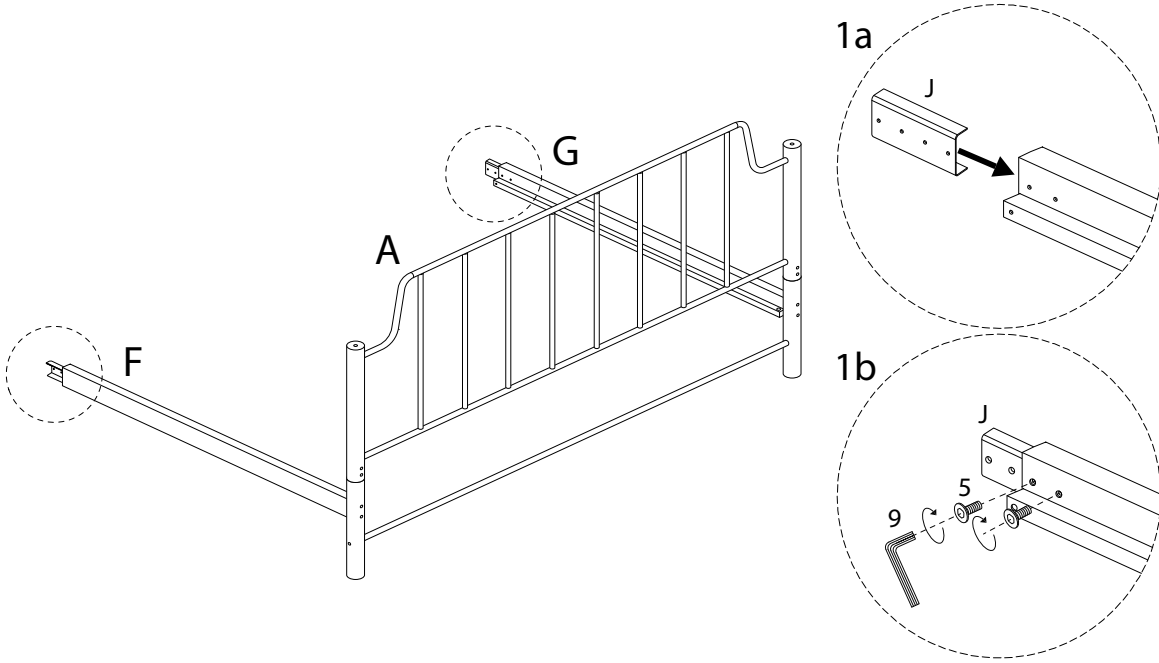
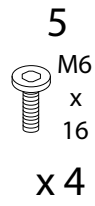
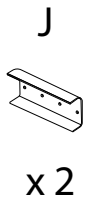
1



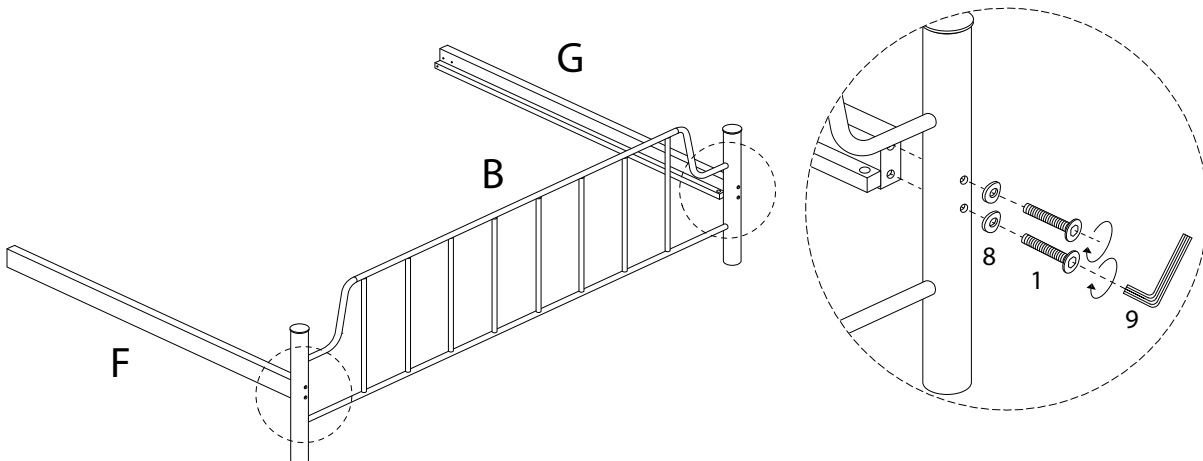
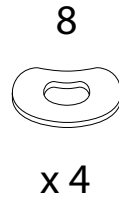
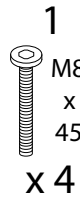
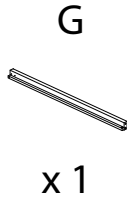
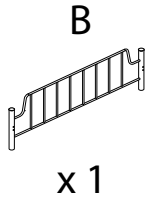
2



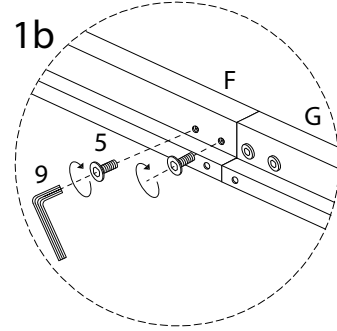
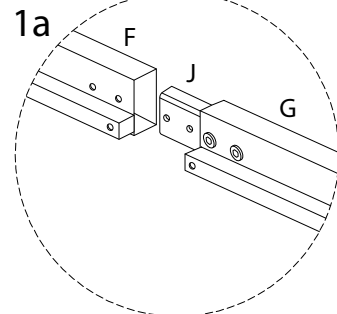
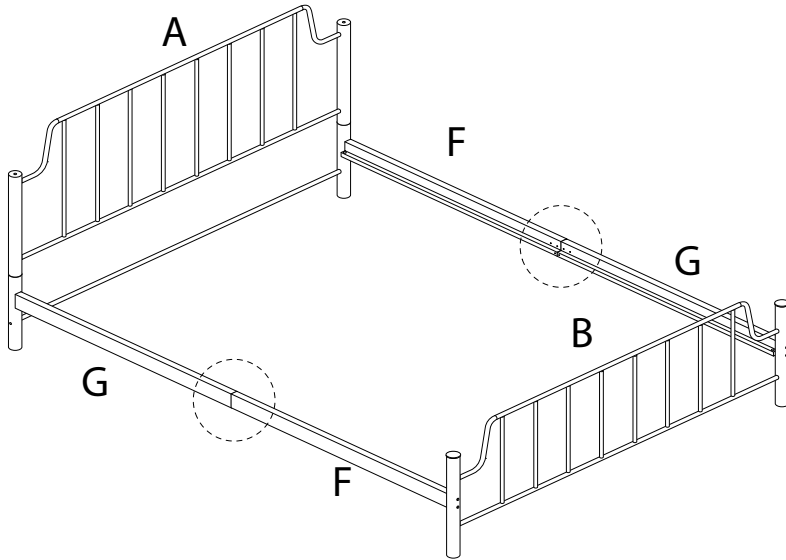
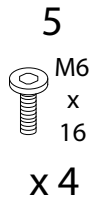
3



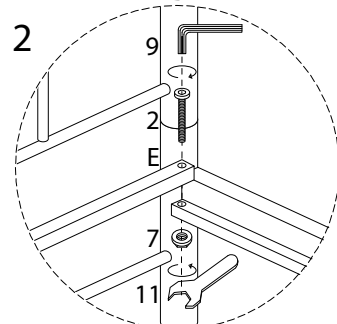
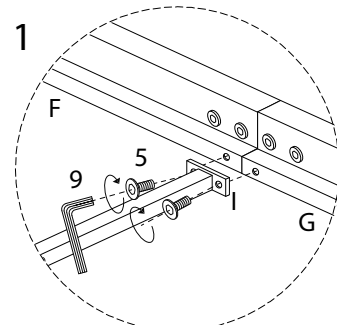
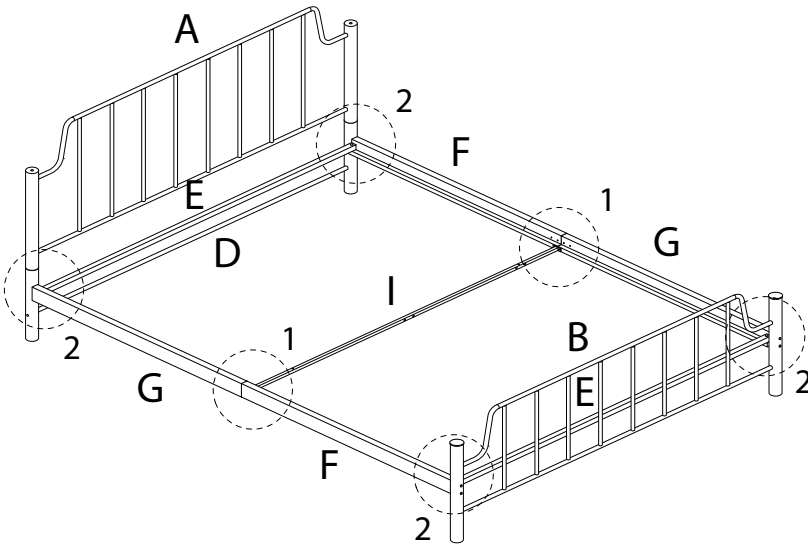
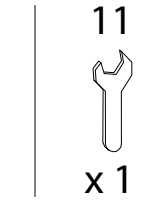
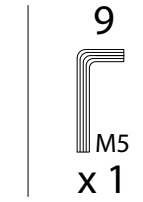
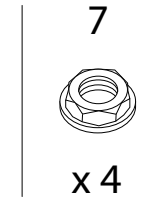
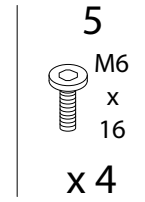
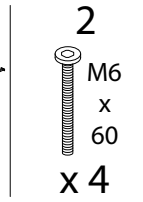
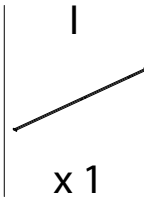
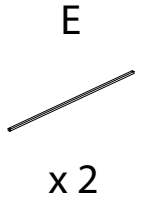
4



5




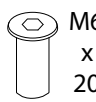
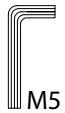
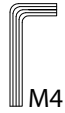


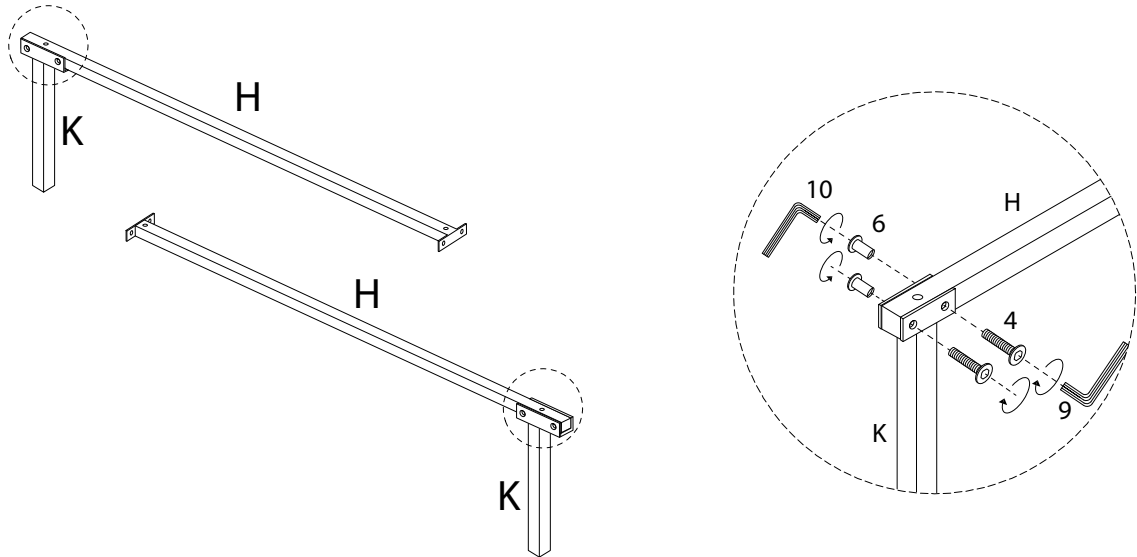
6




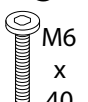
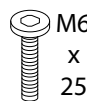
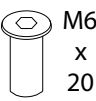




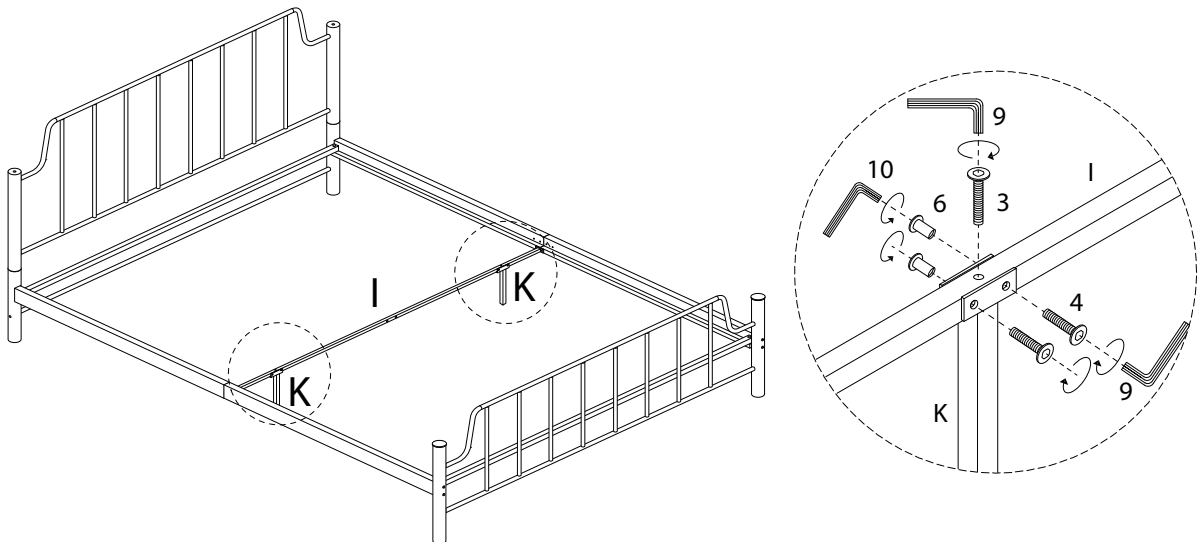
7

H  x 2	K  x 2	4  M6 x 25 x 4	6  M6 x 20 x 4	9  M5 x 1	10  M4 x 1
---	---	--	---	---	--

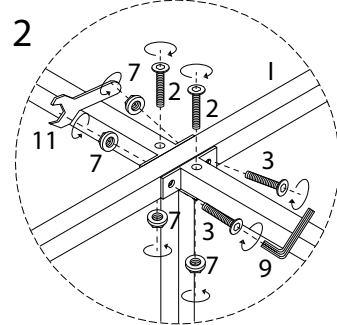
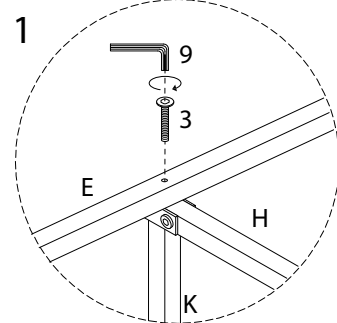
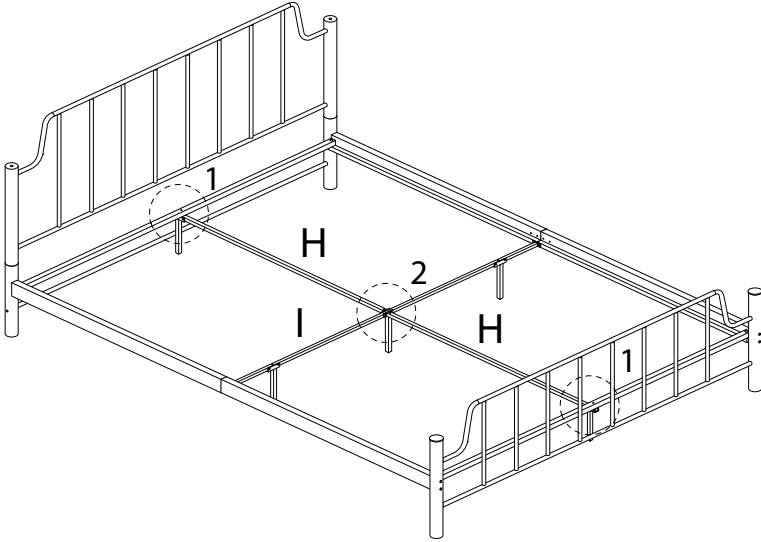
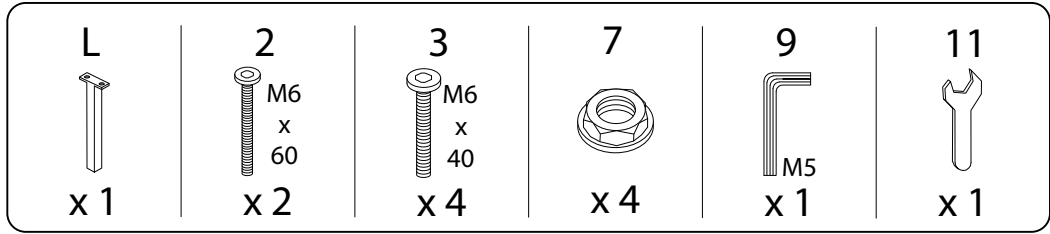


8

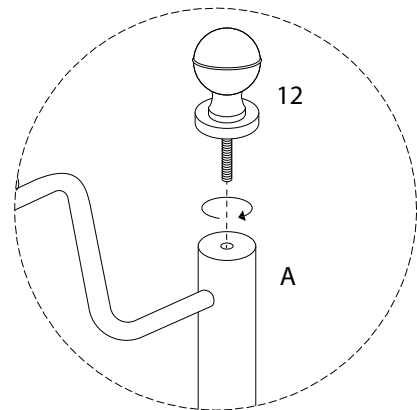
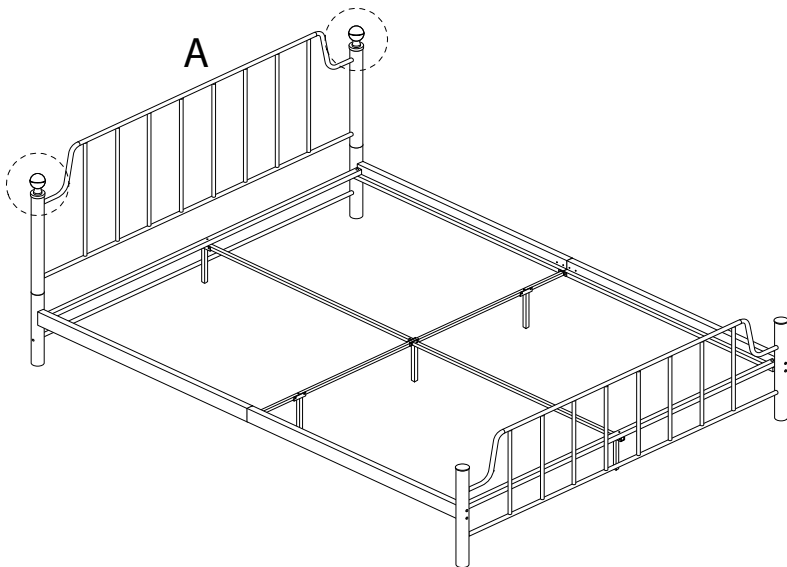
K  x 2	3  M6 x 40 x 2	4  M6 x 25 x 4	6  M6 x 20 x 4	9  M5 x 1	10  M4 x 1
---	--	--	---	---	--



9



10



11

