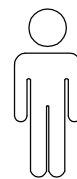
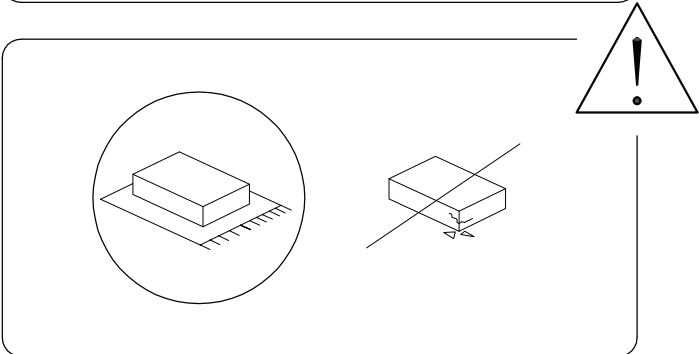
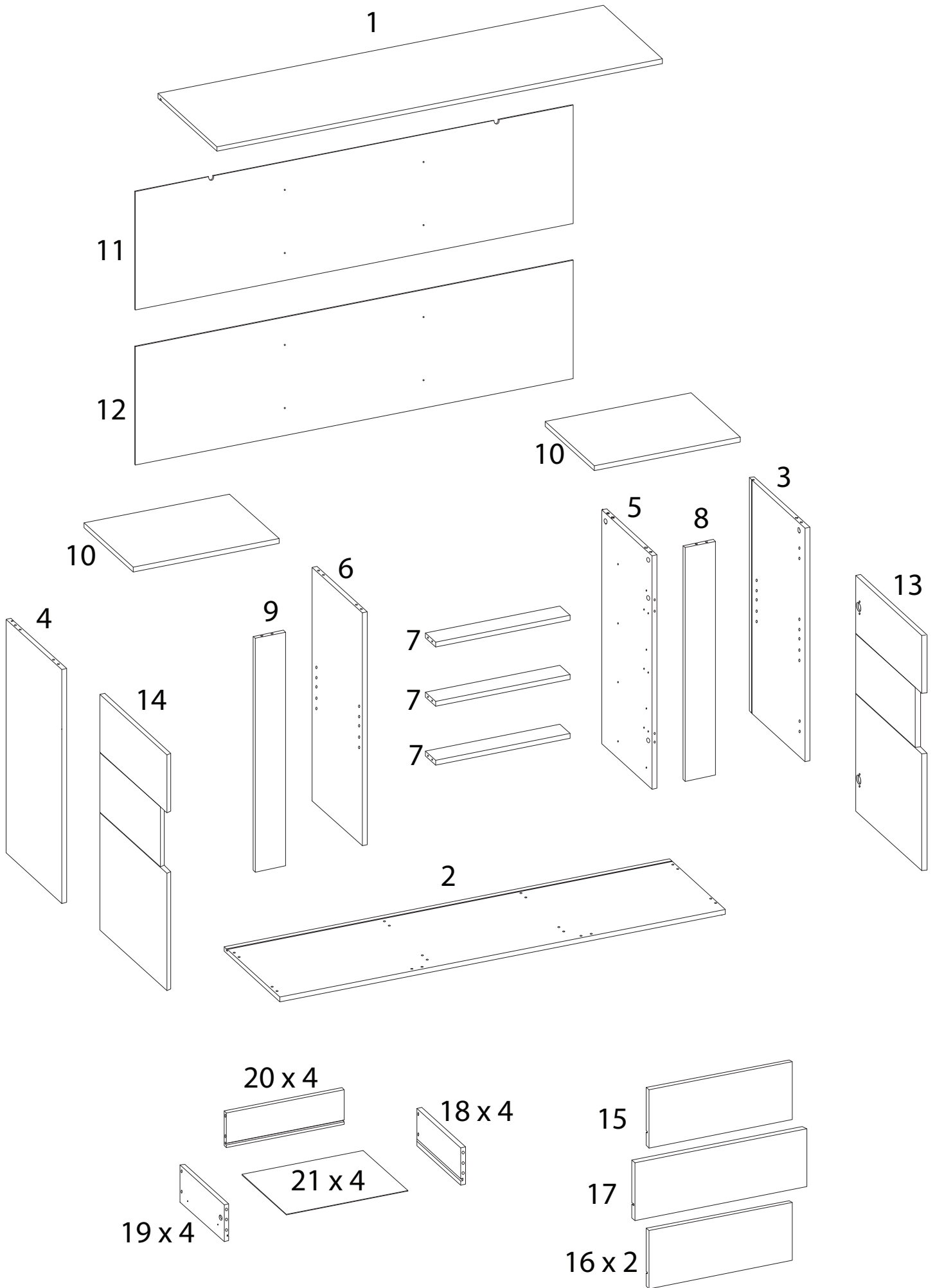
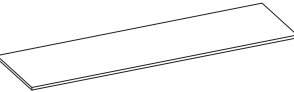
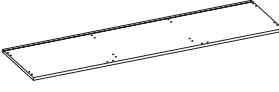







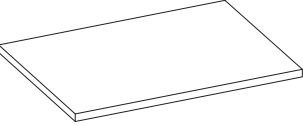
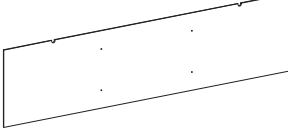
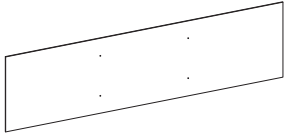
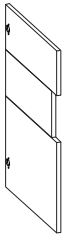

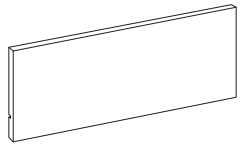
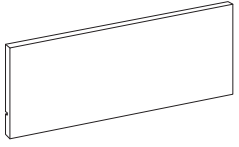
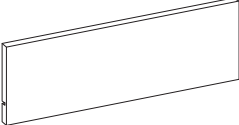
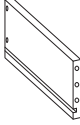
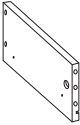




120'



2



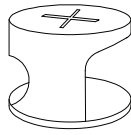
<p>1</p>  <p>x 1</p>	<p>2</p>  <p>x 1</p>	<p>3</p>  <p>x 1</p>	<p>4</p>  <p>x 1</p>	
<p>5</p>  <p>x 1</p>	<p>6</p>  <p>x 1</p>	<p>7</p>  <p>x 3</p>	<p>8</p>  <p>x 1</p>	
<p>9</p>  <p>x 1</p>	<p>10</p>  <p>x 2</p>	<p>11</p>  <p>x 1</p>	<p>12</p>  <p>x 1</p>	
<p>13</p>  <p>x 1</p>	<p>14</p>  <p>x 1</p>	<p>15</p>  <p>x 1</p>	<p>16</p>  <p>x 2</p>	
<p>17</p>  <p>x 1</p>	<p>18</p>  <p>x 4</p>	<p>19</p>  <p>x 4</p>	<p>20</p>  <p>x 4</p>	<p>21</p>  <p>x 4</p>

A



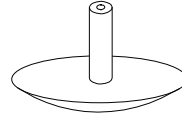
x 28

B



x 28

C



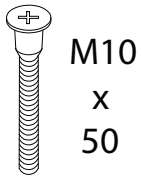
x 16

D



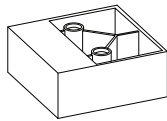
x 46

E



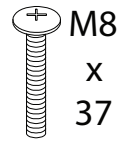
x 10

F



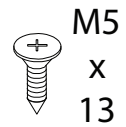
x 6

G



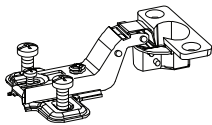
x 12

H



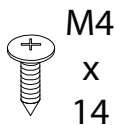
x 8

J



x 4

K



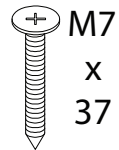
x 8

L



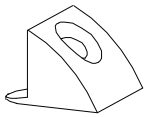
x 42

M



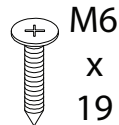
x 18

N



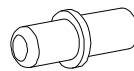
x 22

P



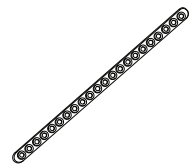
x 22

Q



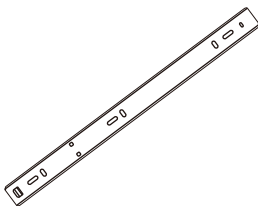
x 8

R



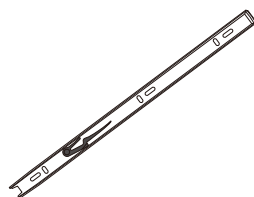
x 2

S



x 8

T



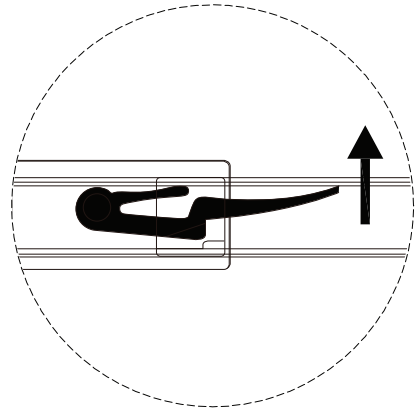
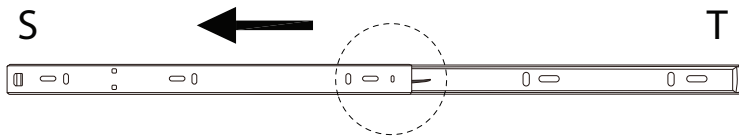
x 8

U

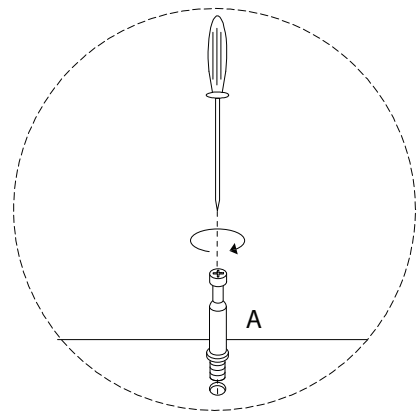
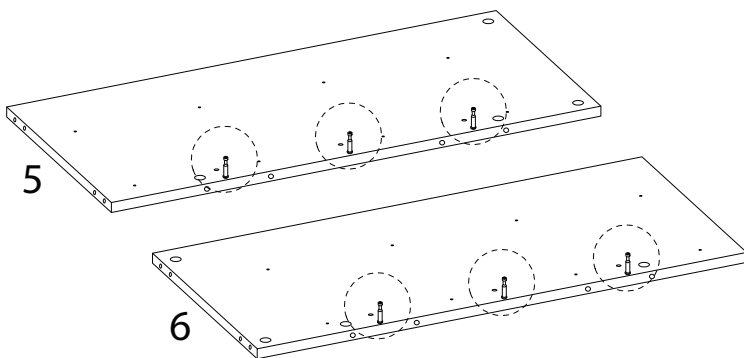
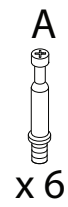
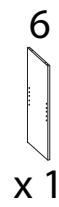


x 2

!



1

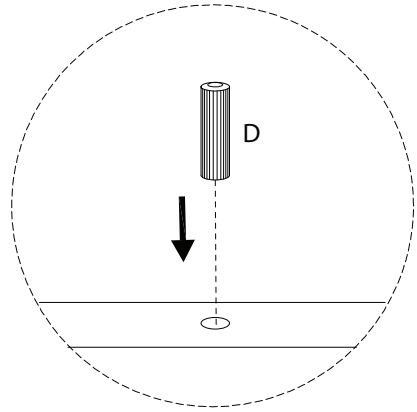
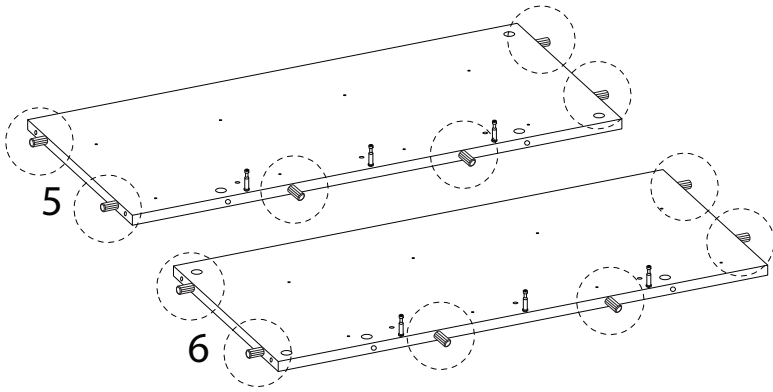


2

D



x 12

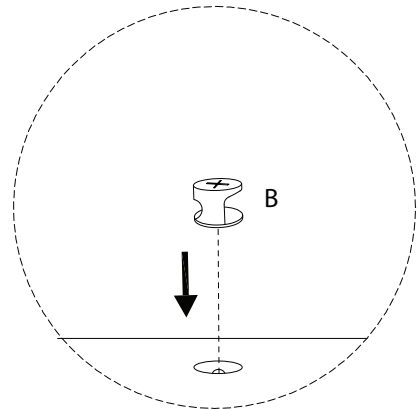
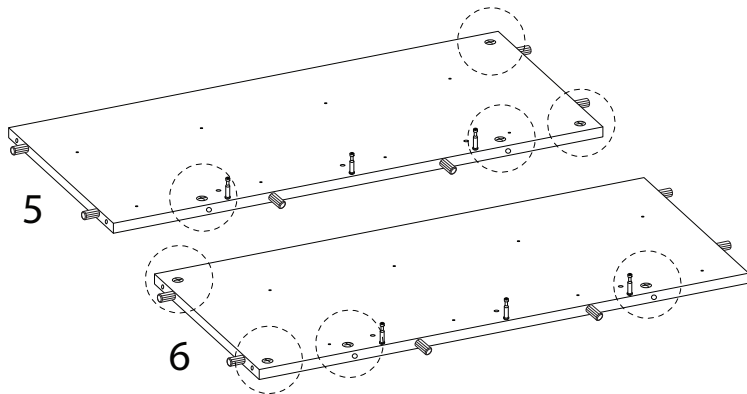


3

B



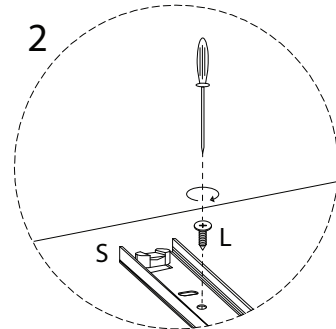
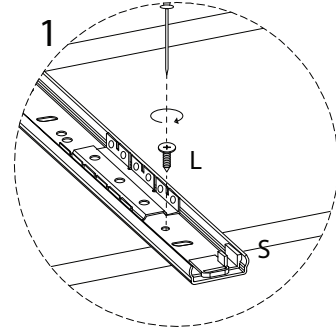
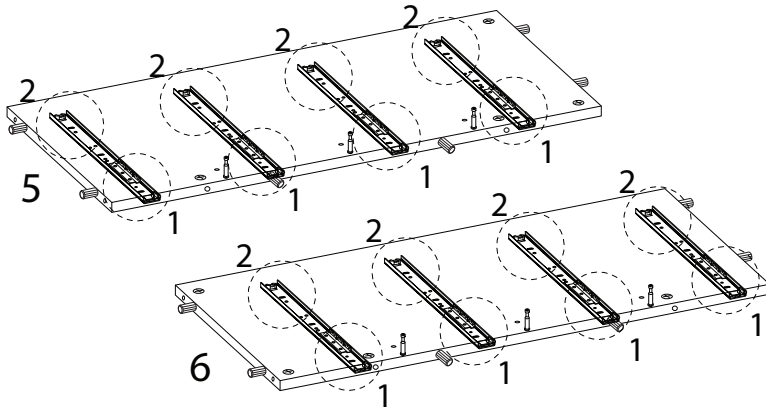
x 8



4

L  
M6  
x  
12  
x 16

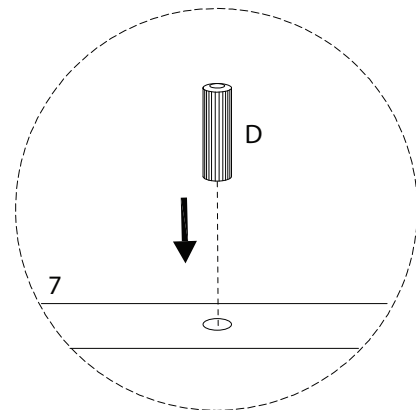
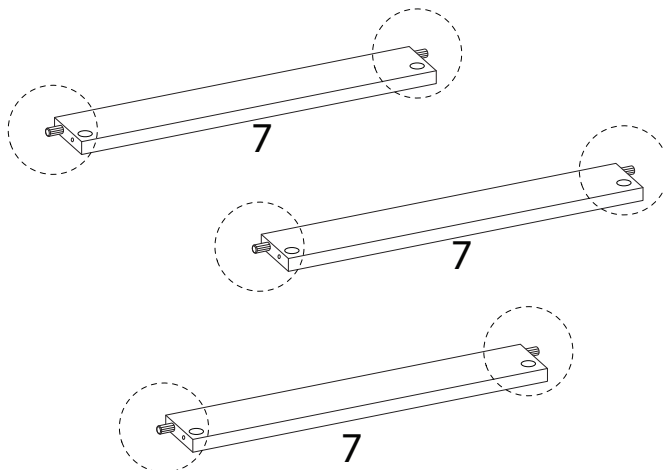
S  
x 8



5

7  
x 3

D  
x 6

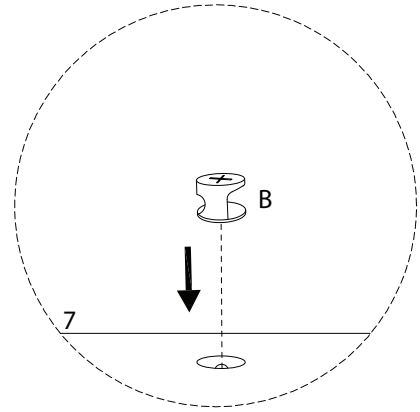
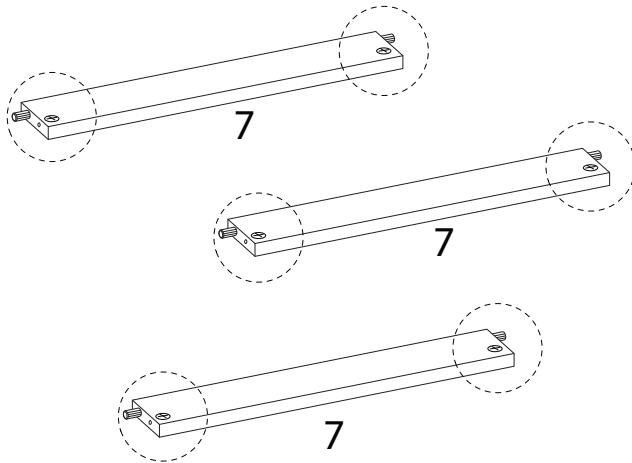


6

B



x6



7

8

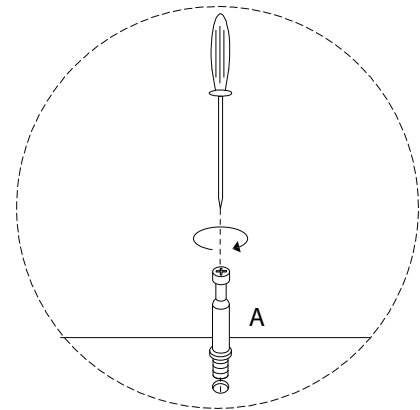
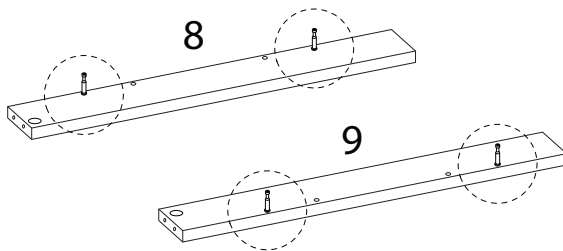
x1

9

x1

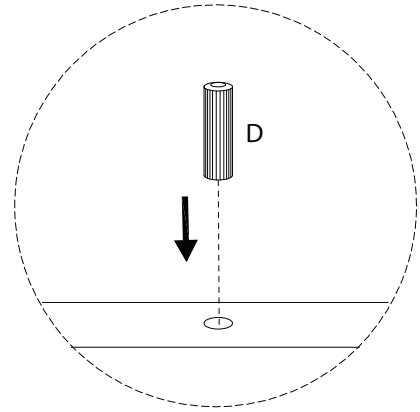
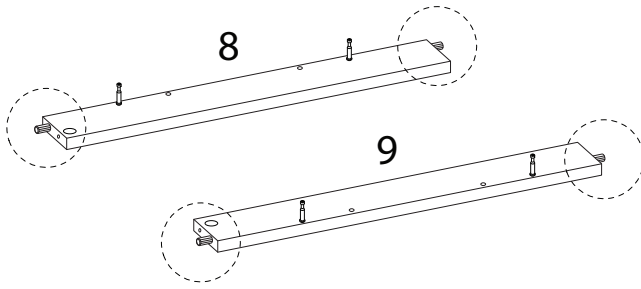
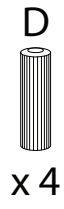
A

x4

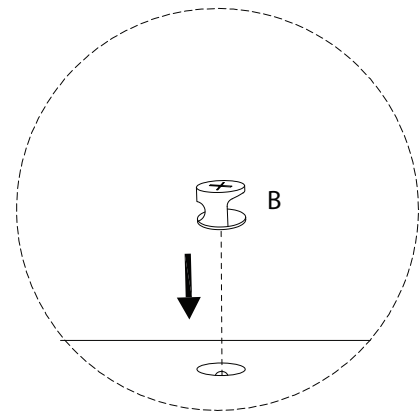
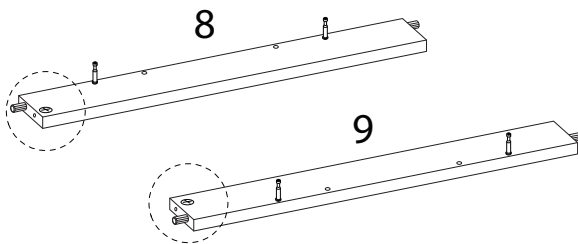
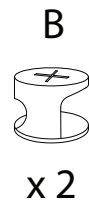




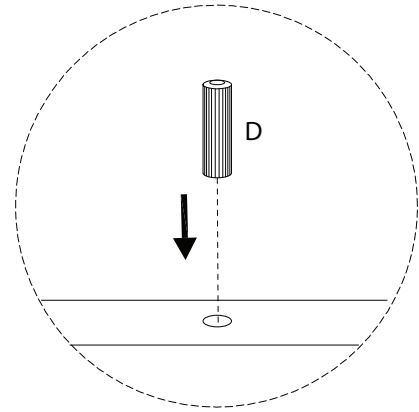
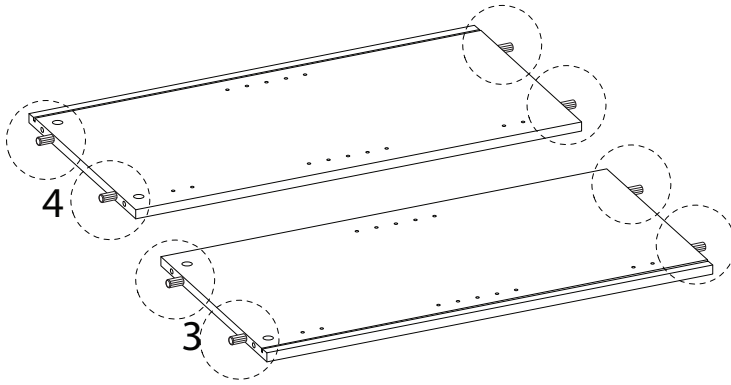
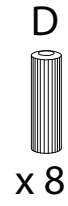
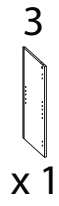
8



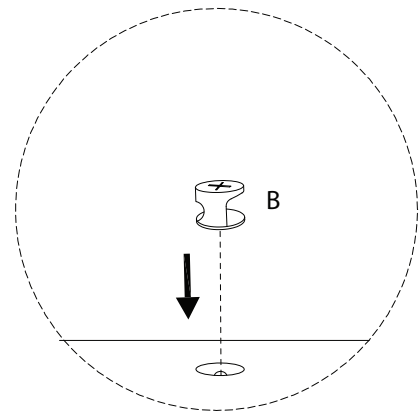
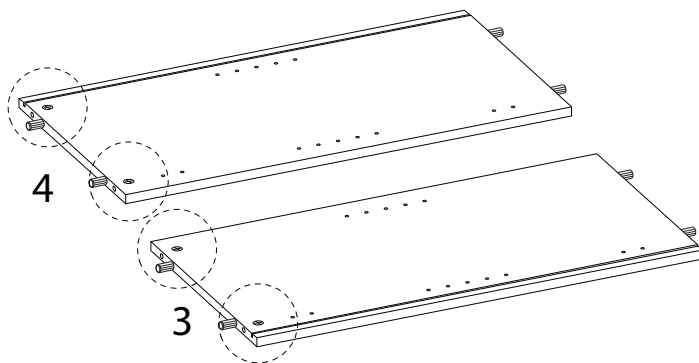
9



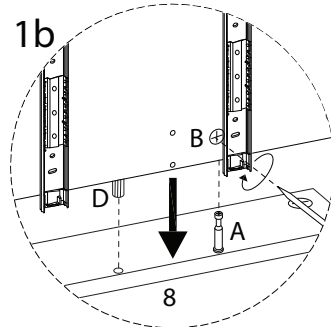
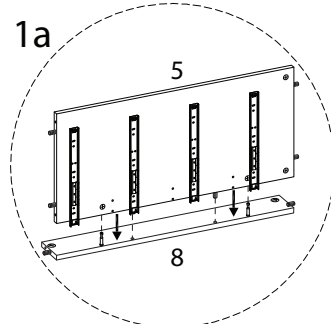
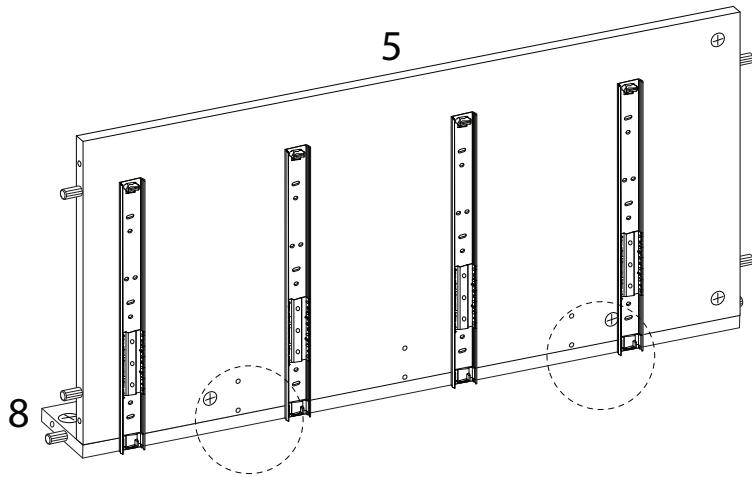
10



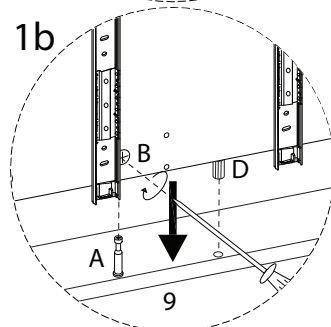
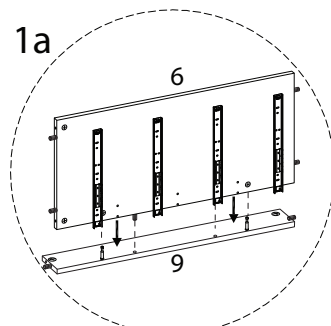
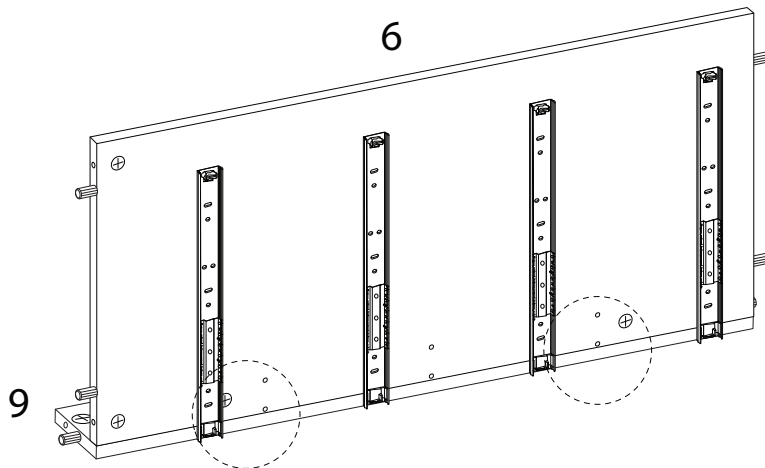
11



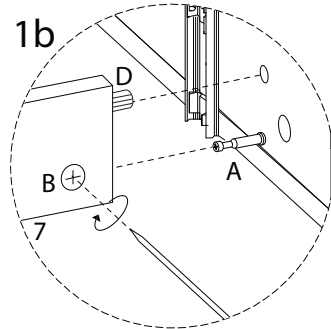
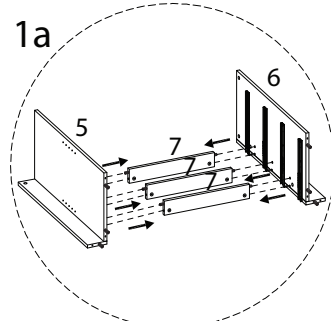
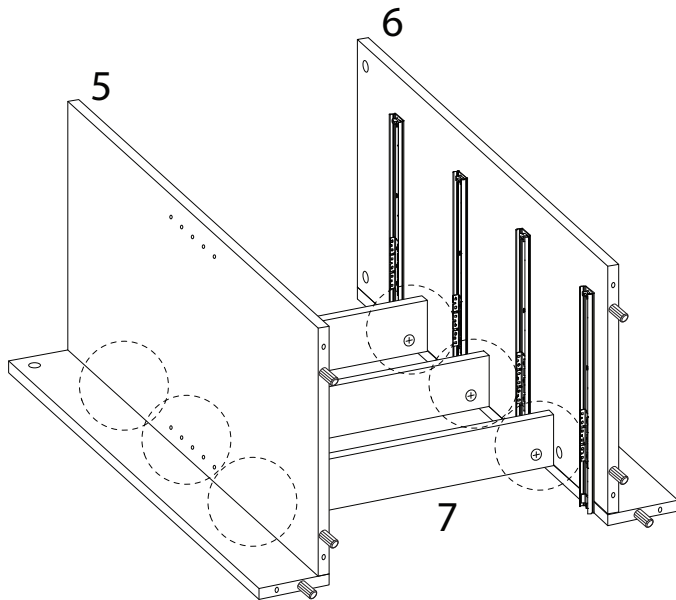
12



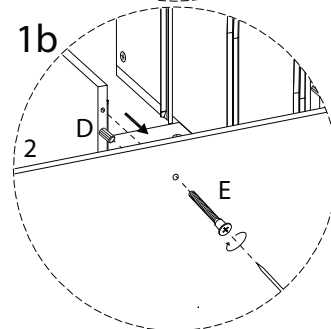
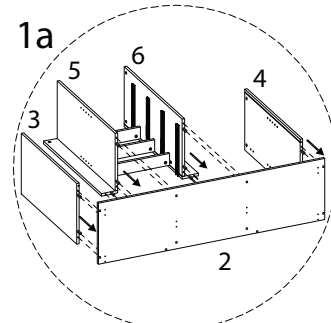
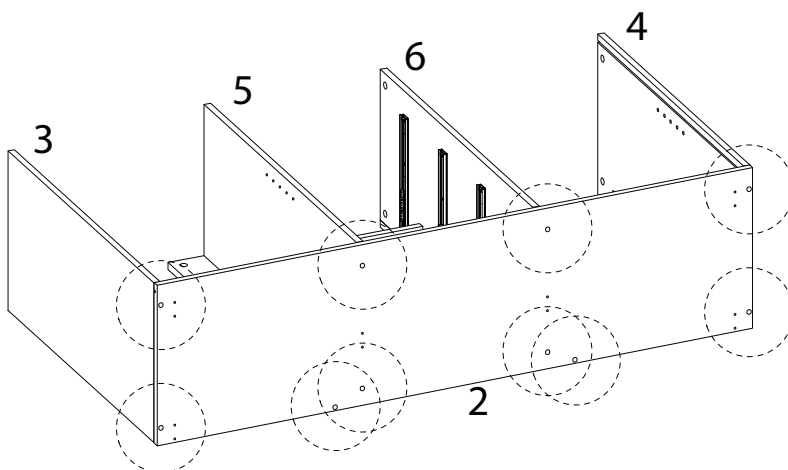
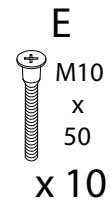
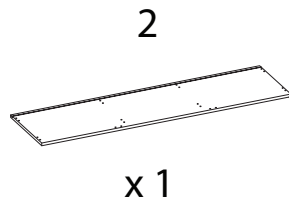
13



14

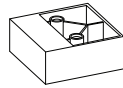


15



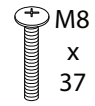
16

F

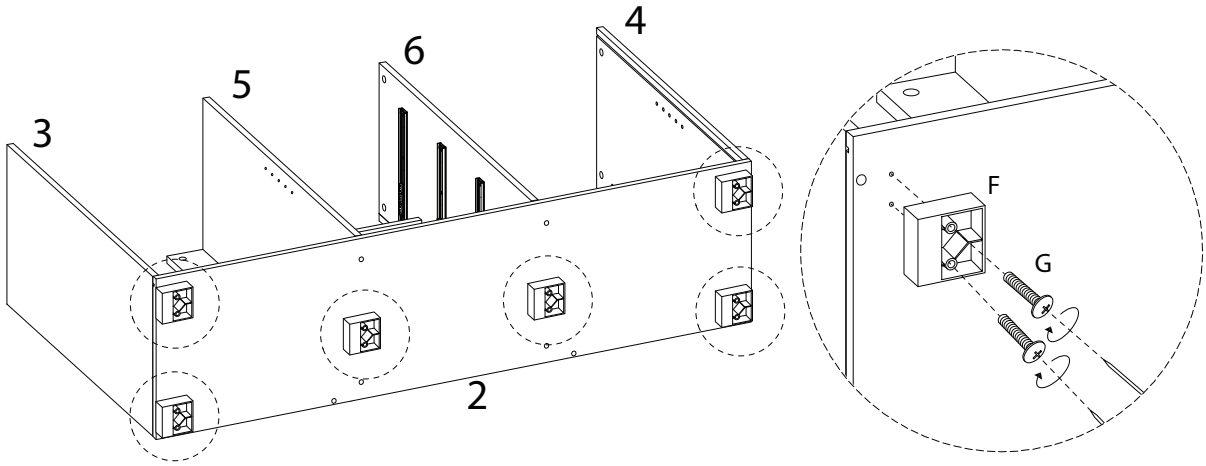


x 6

G

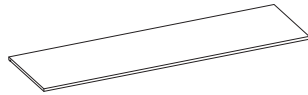


x 12



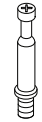
17

1

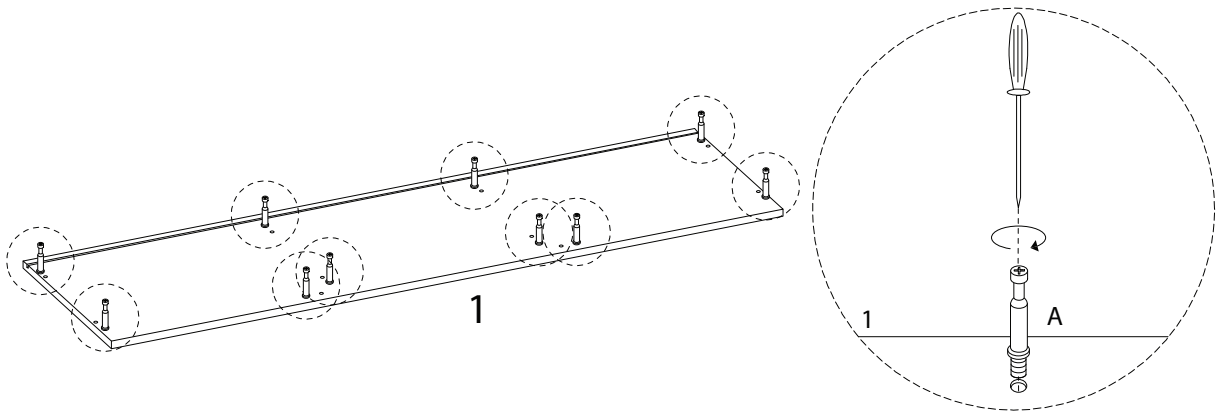


x 1

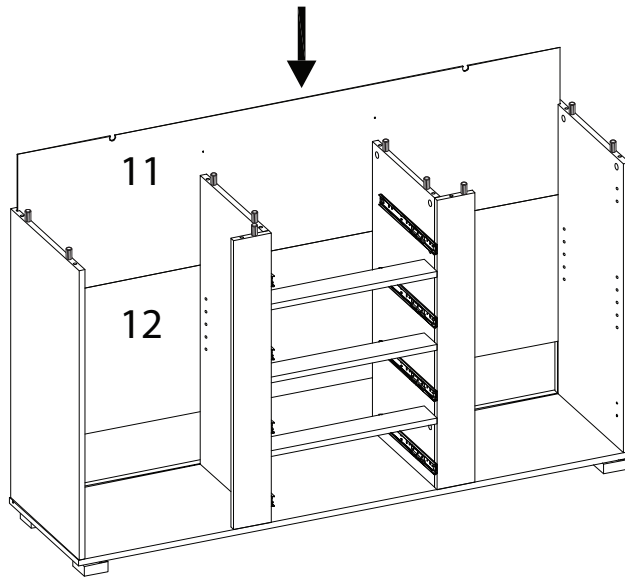
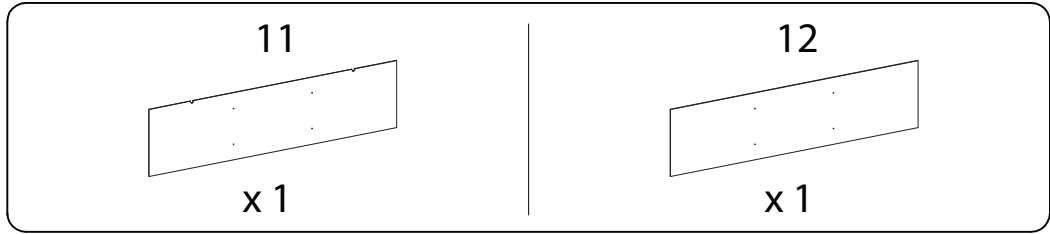
A



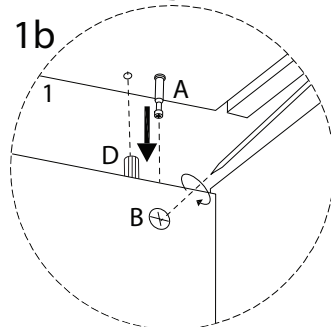
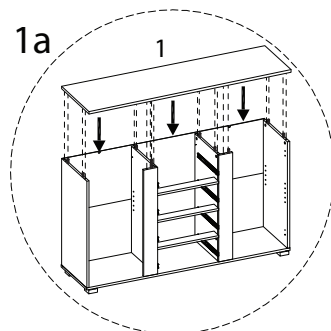
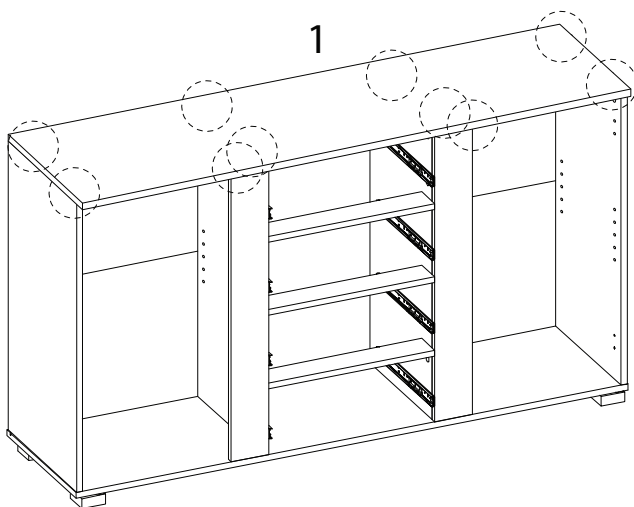
x 10



18

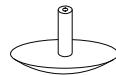


19

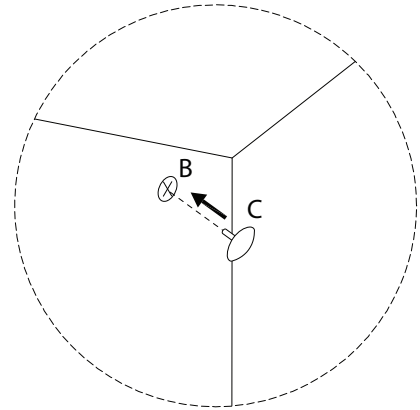
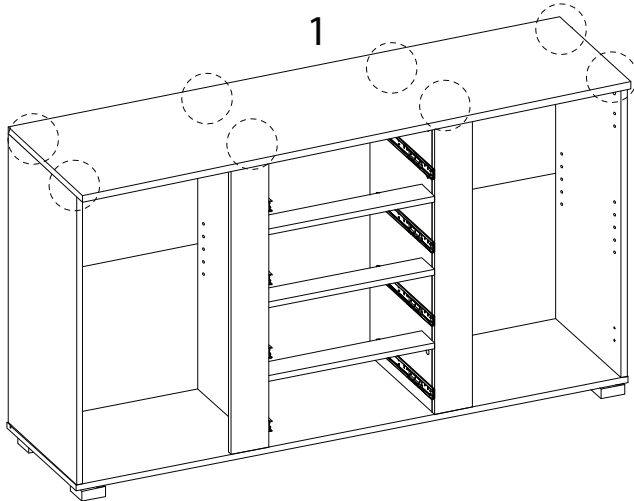


20

C



x 8



21

H



x 8

N

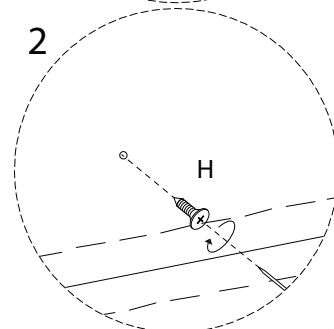
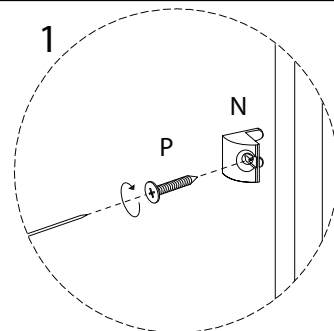
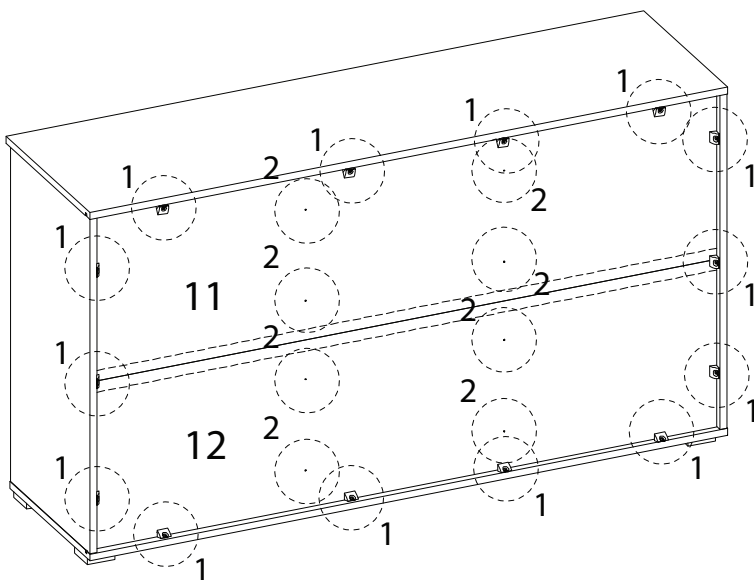


x 14

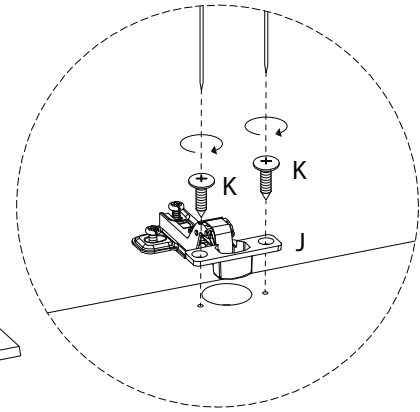
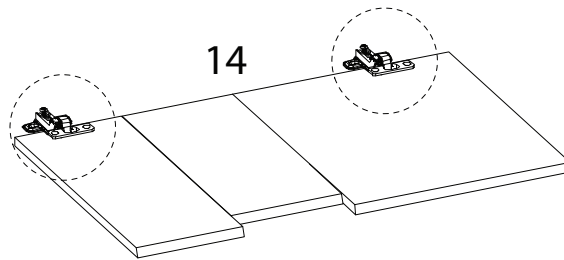
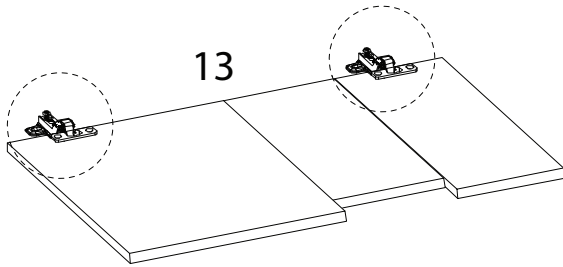
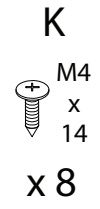
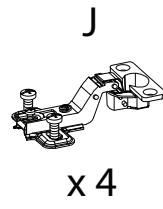
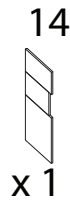
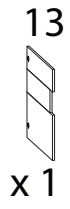
P



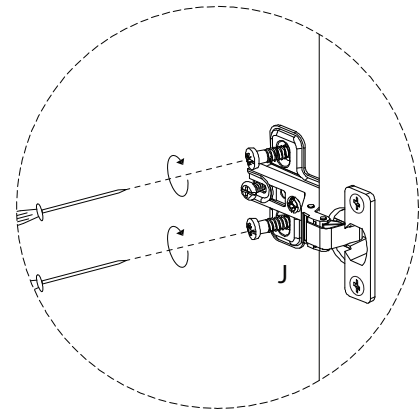
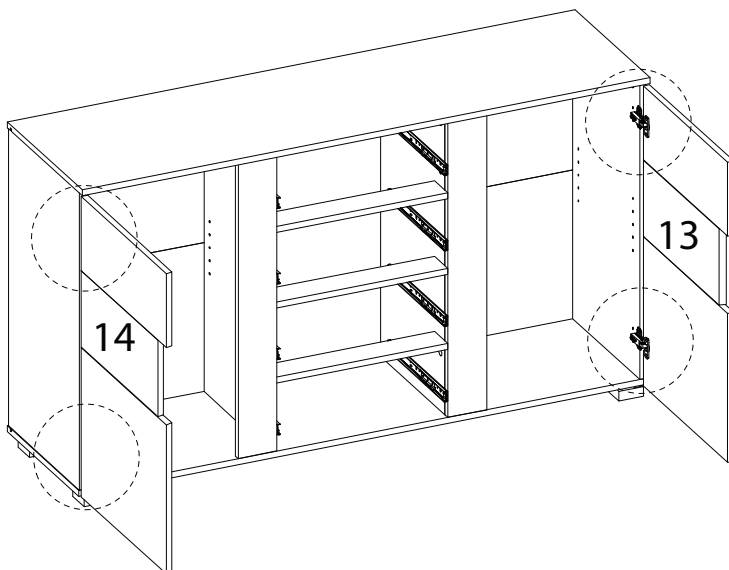
x 14



22



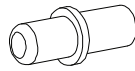
23



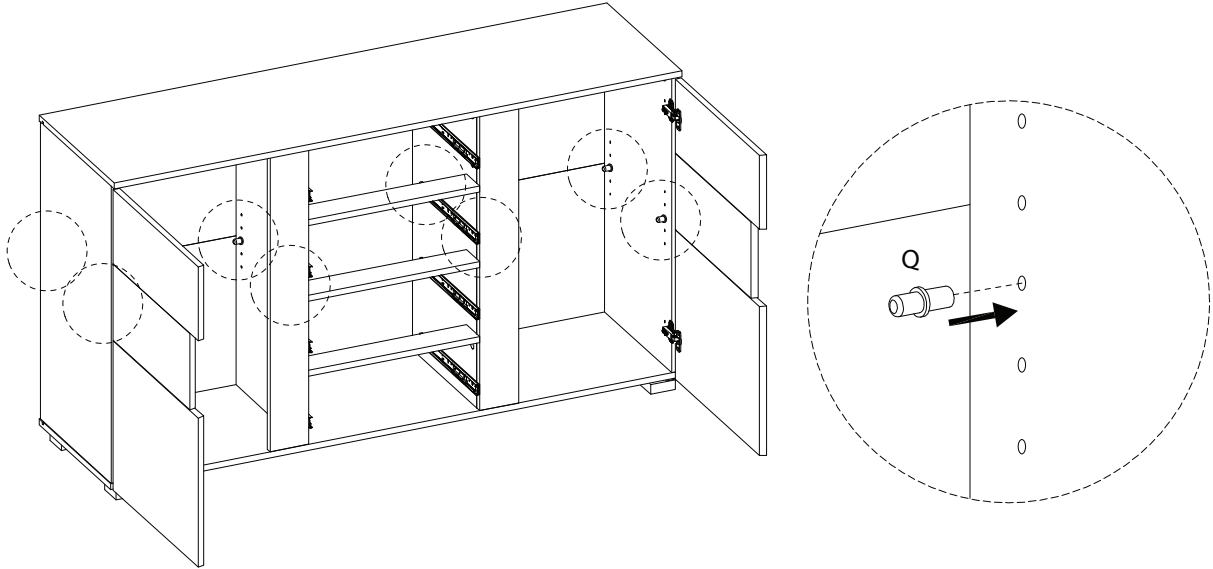


24

Q

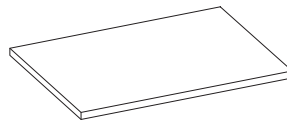


x 8

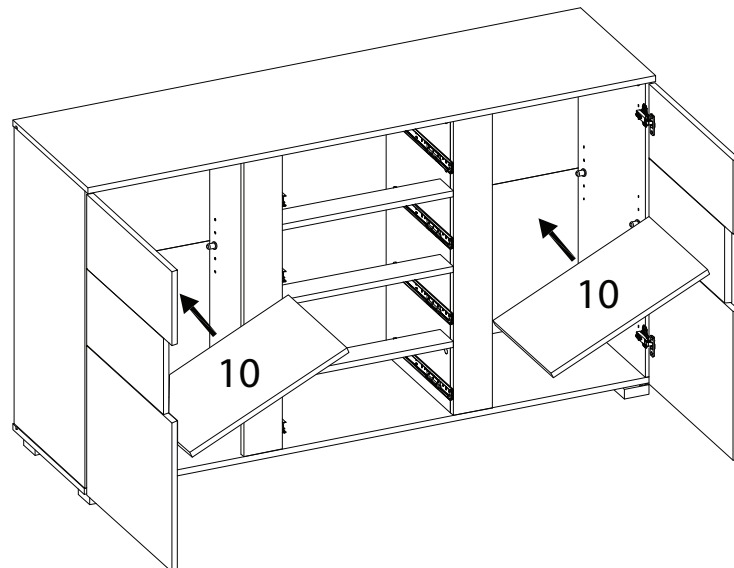


25

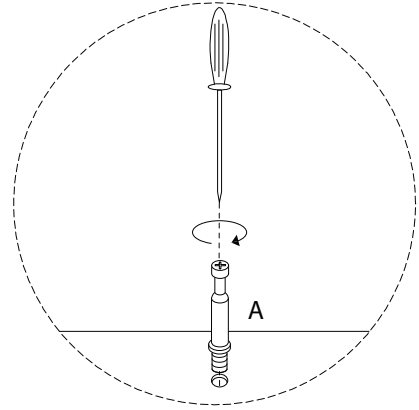
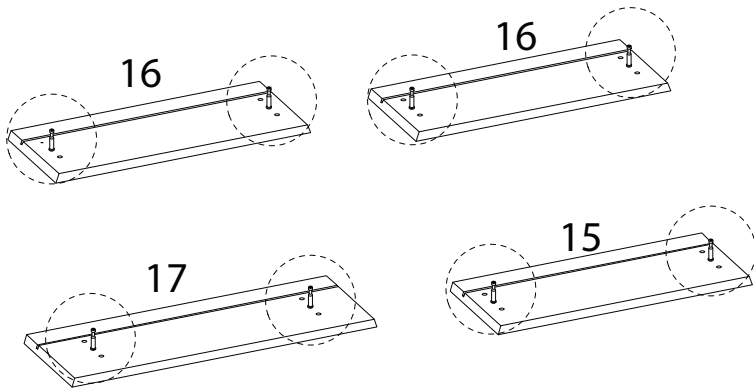
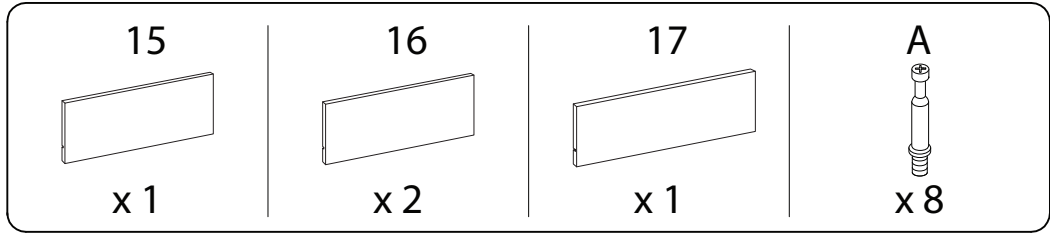
10



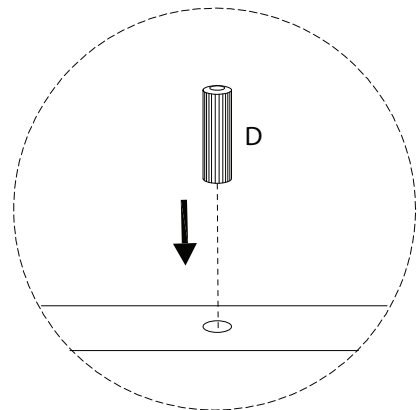
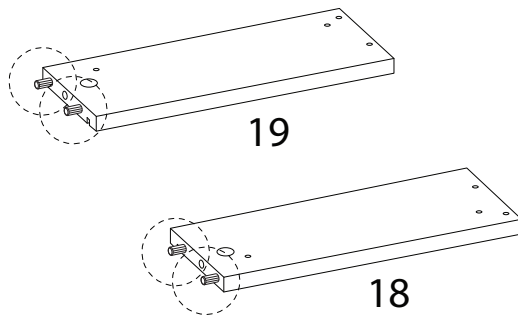
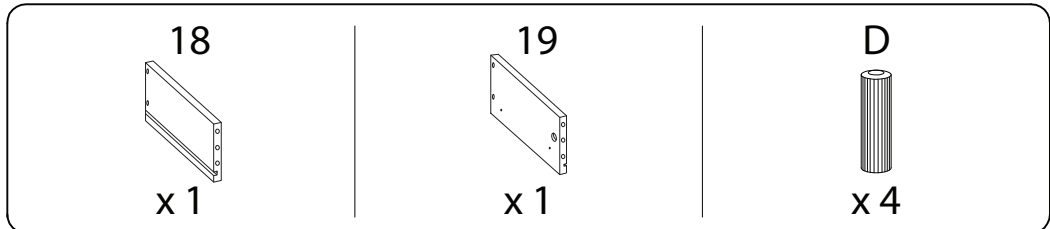
x 2



26



27 x 4

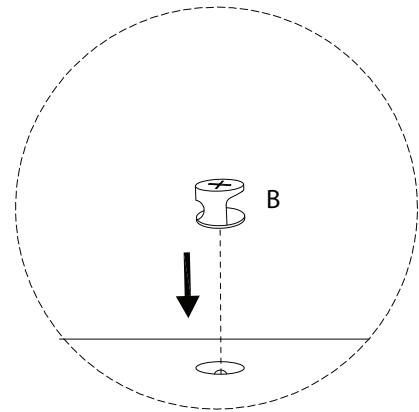
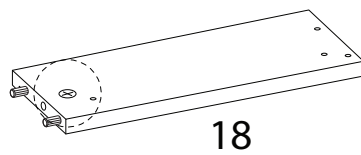
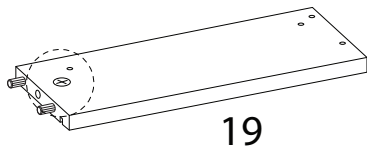


28 x 4

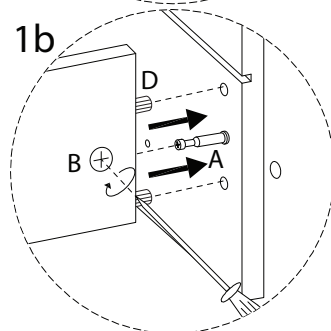
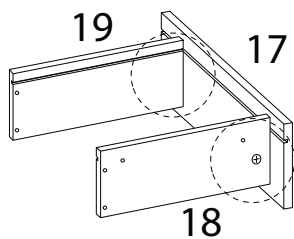
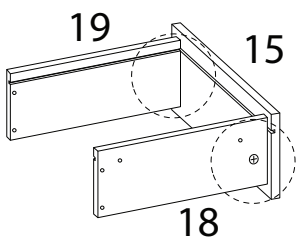
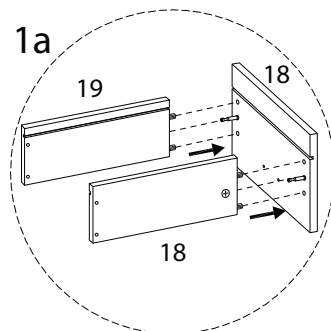
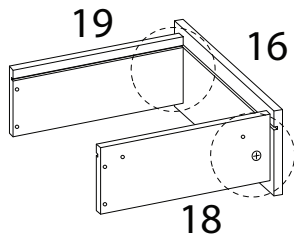
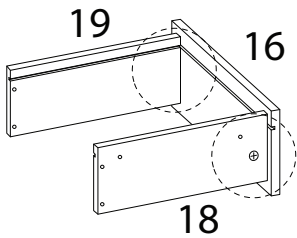
B



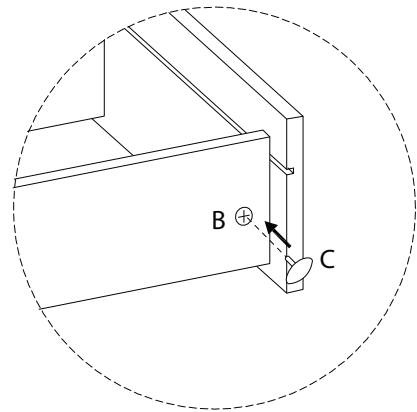
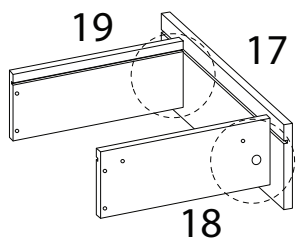
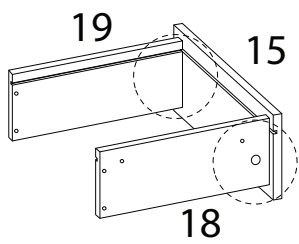
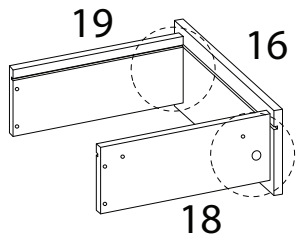
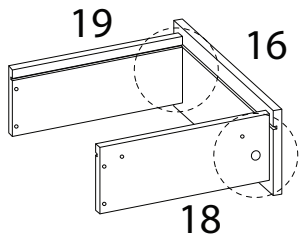
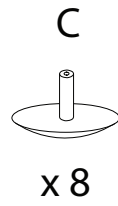
x 2



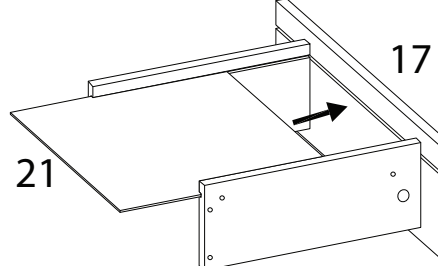
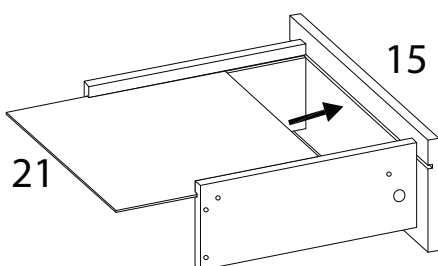
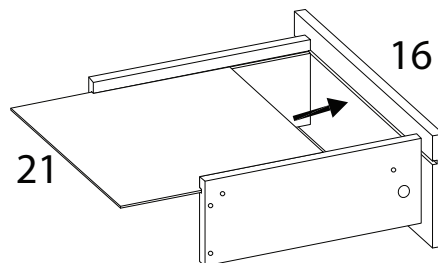
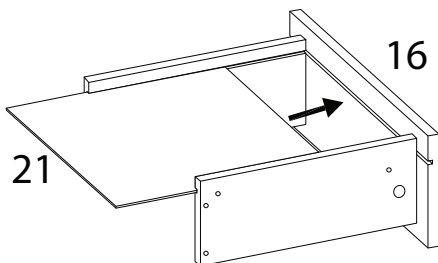
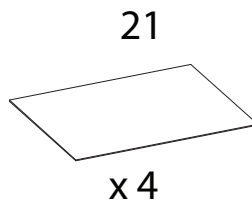
29



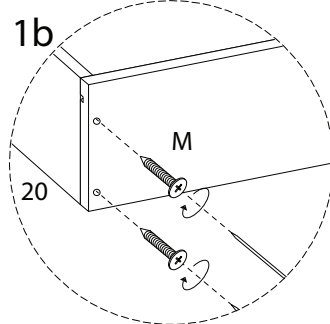
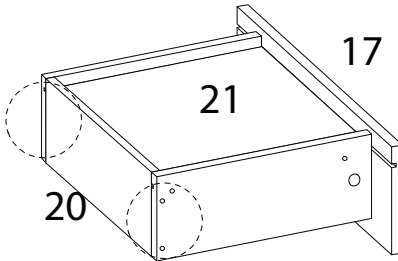
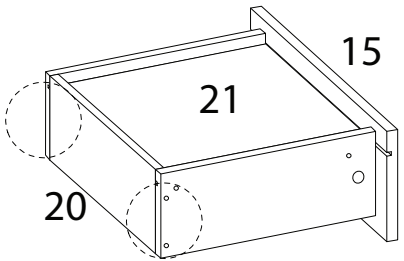
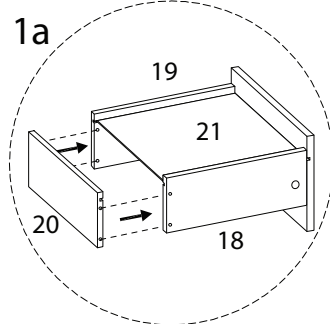
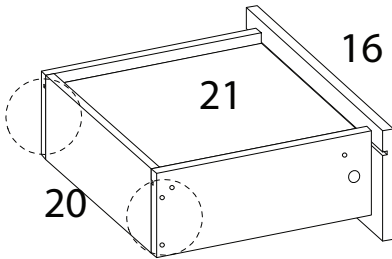
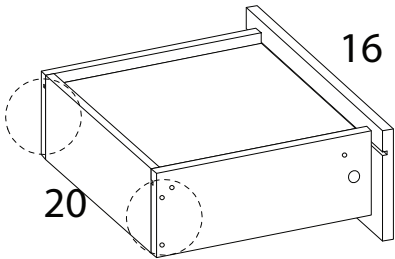
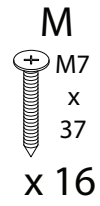
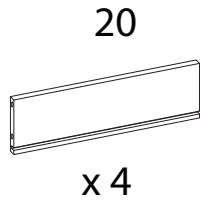
30



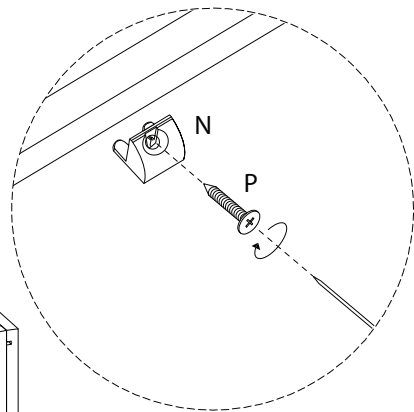
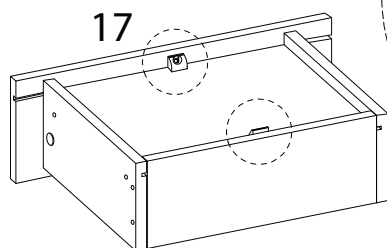
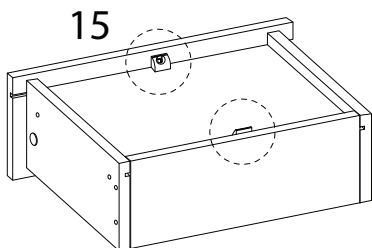
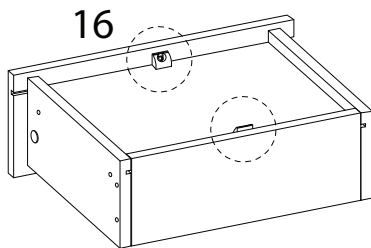
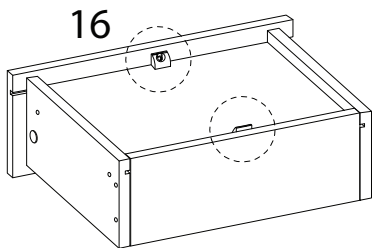
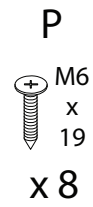
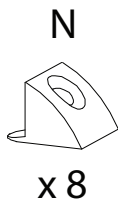
31



32



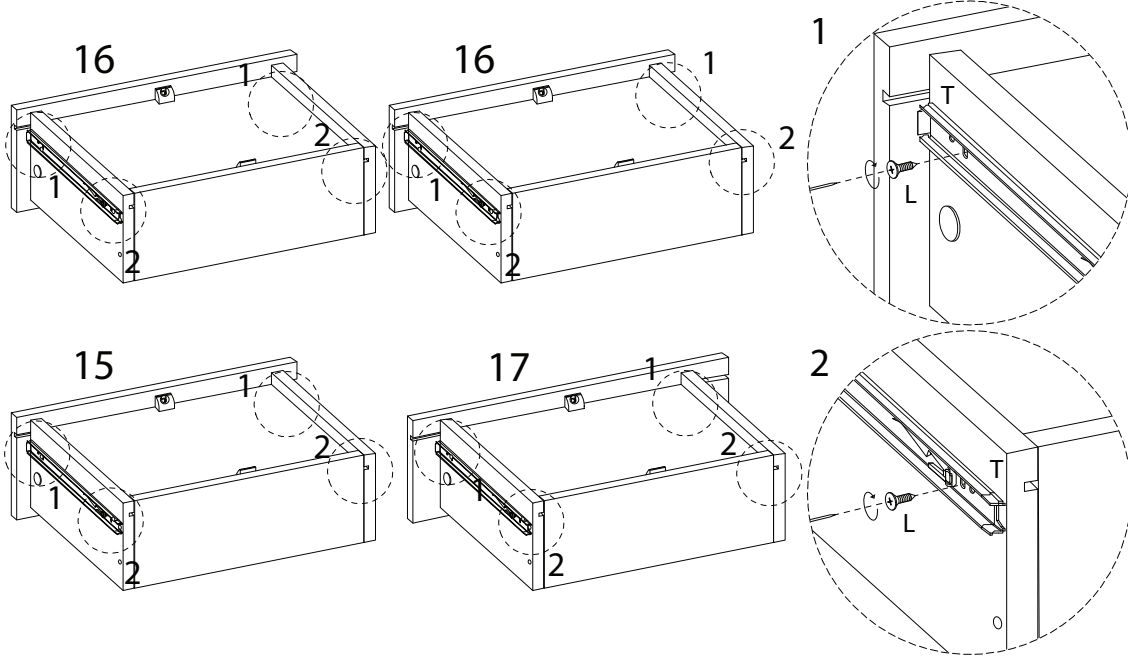
33



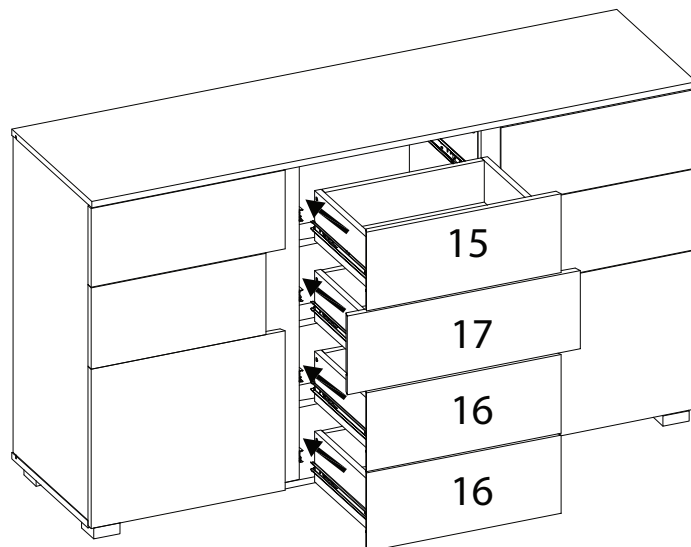
# 34

L  
M6  
x  
12  
x 16


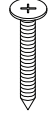
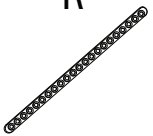

T  
x 8

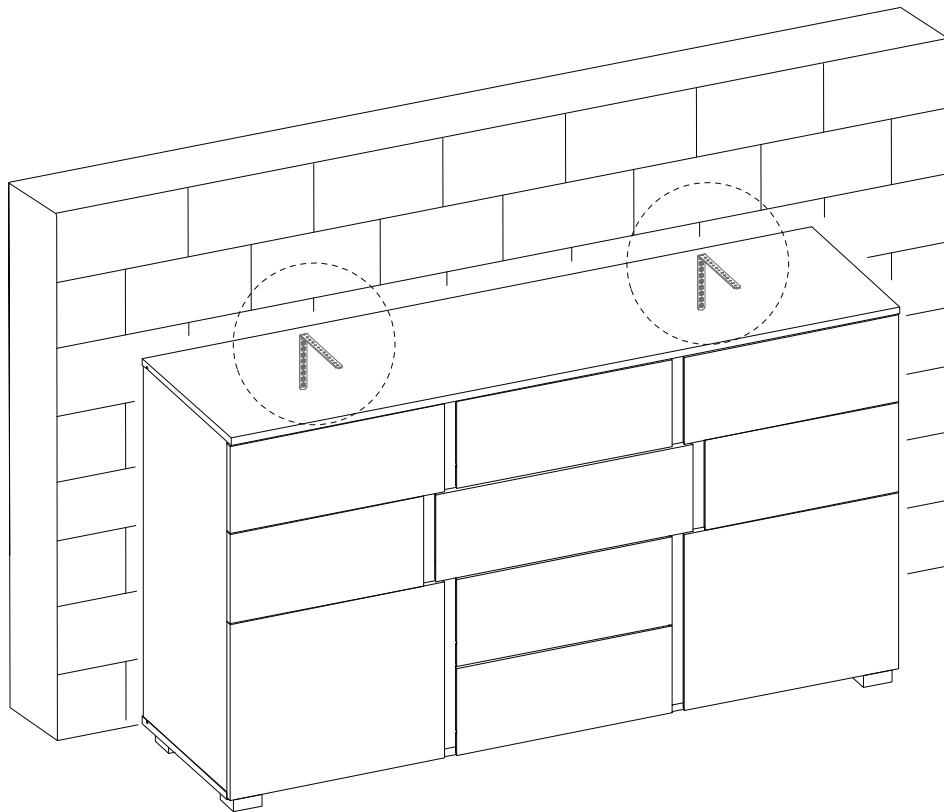


# 35

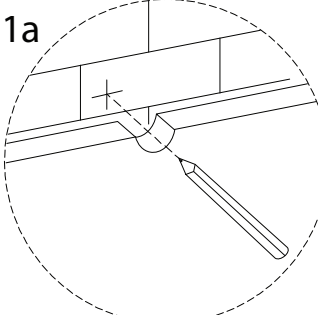


36

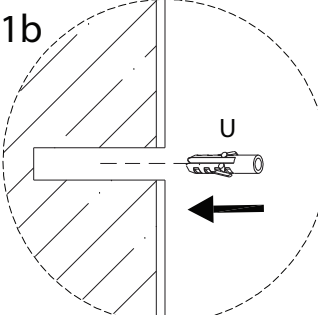
<p>L</p>  <p>M6 x 12 x 2</p>	<p>M</p>  <p>M7 x 37 x 2</p>	<p>R</p>  <p>x 2</p>	<p>U</p>  <p>x 2</p>
---------------------------------------------------------------------------------------------------------------------------	---------------------------------------------------------------------------------------------------------------------------	--------------------------------------------------------------------------------------------------------	---------------------------------------------------------------------------------------------------------



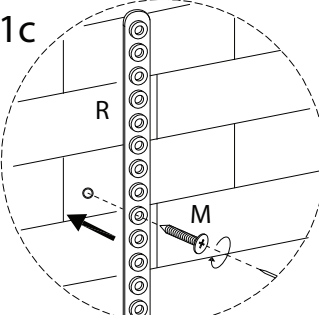
1a



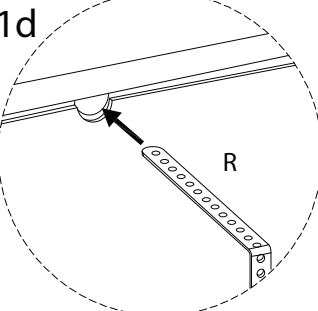
1b



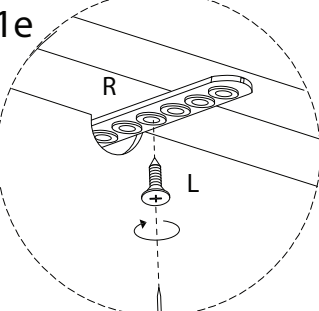
1c



1d

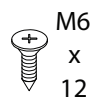


1e

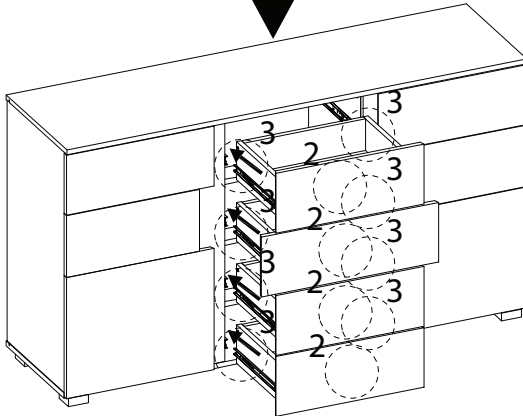
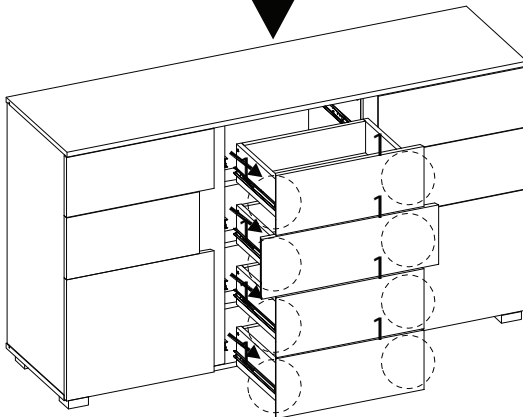
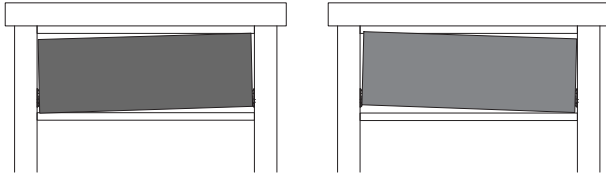


37

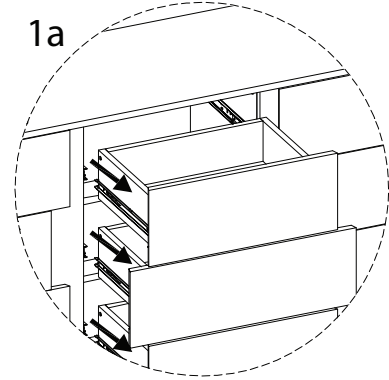
L



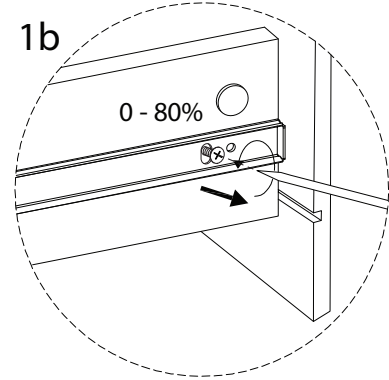
x 8



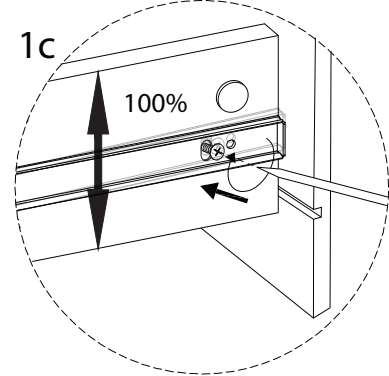
1a



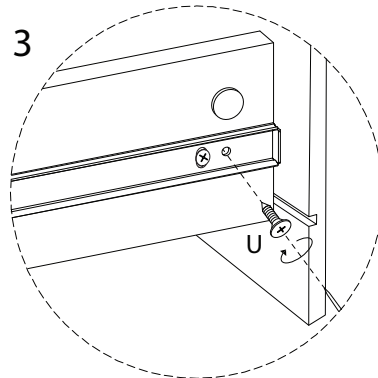
1b



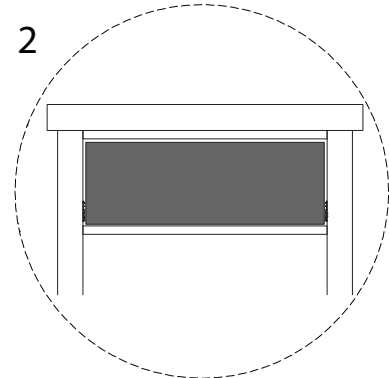
1c



3



2





38

