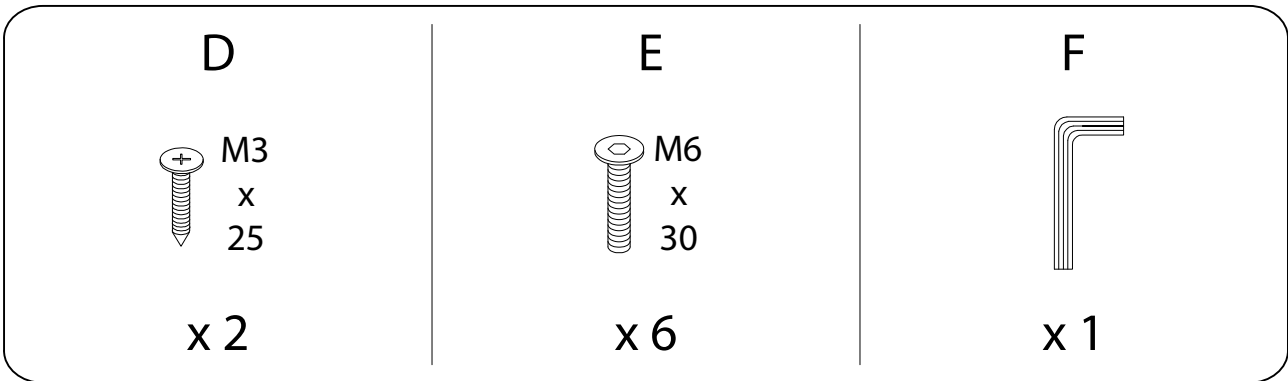
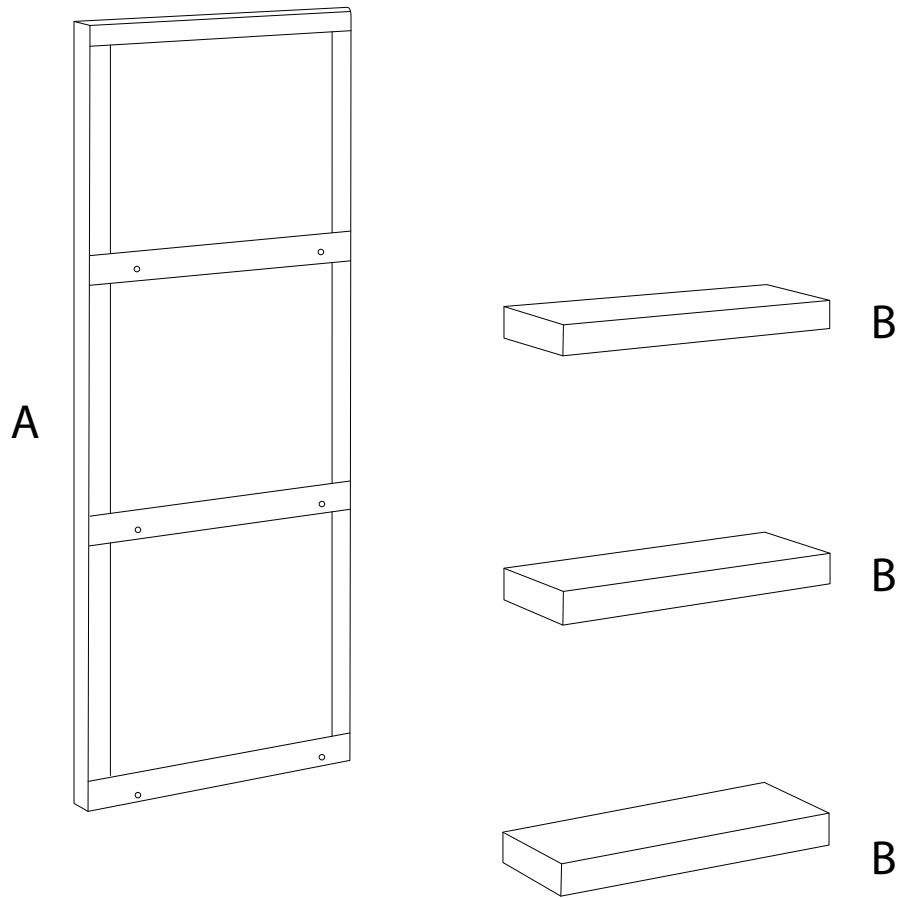
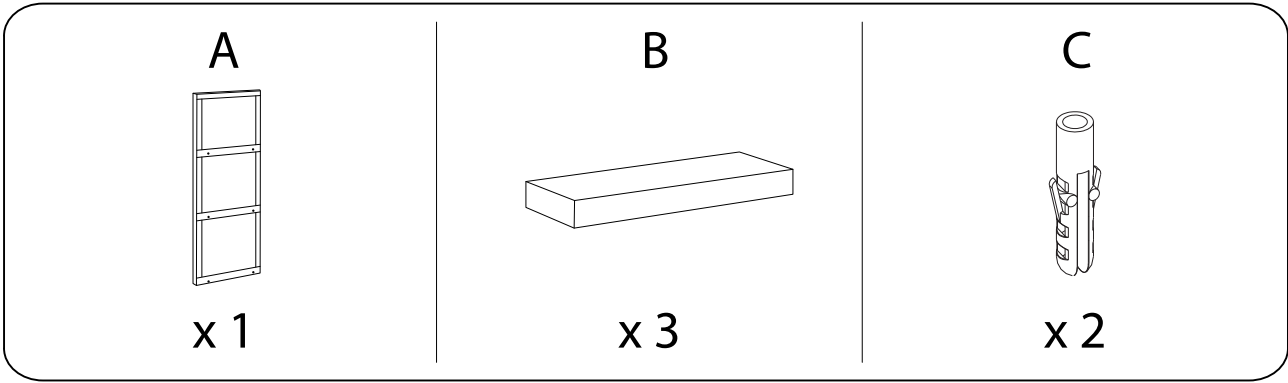


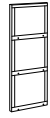
Diagram illustrating assembly steps and safety warnings:

- Step 1:** Requires a screwdriver and a power drill. Estimated time: 30 minutes.
- Step 2:** Shows a warning icon (triangle with exclamation mark) and a person icon, indicating that one person is required for this step.



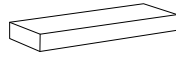
1

A



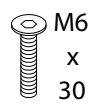
x 1

B



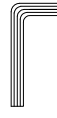
x 3

E

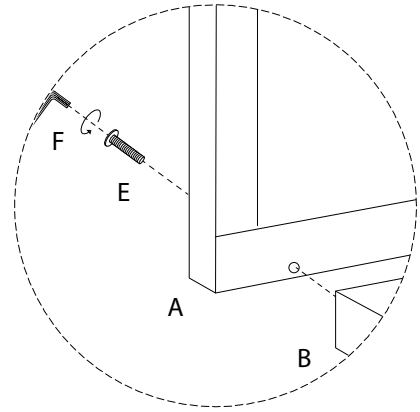
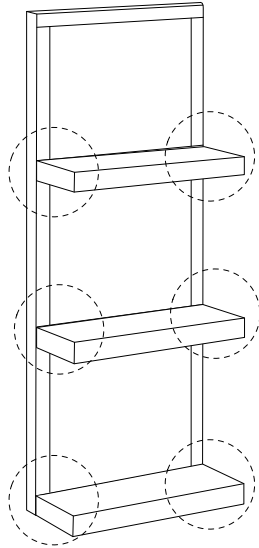


x 6

F

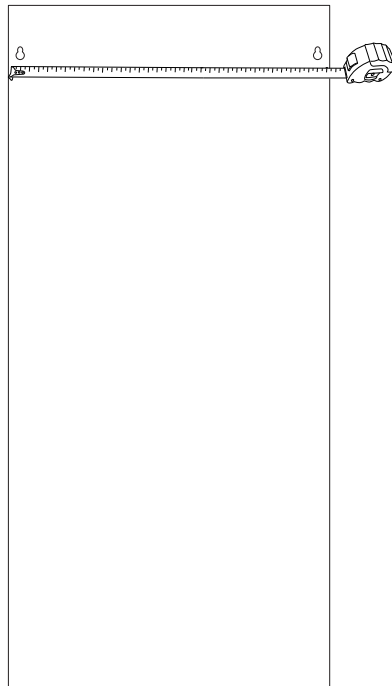


x 1

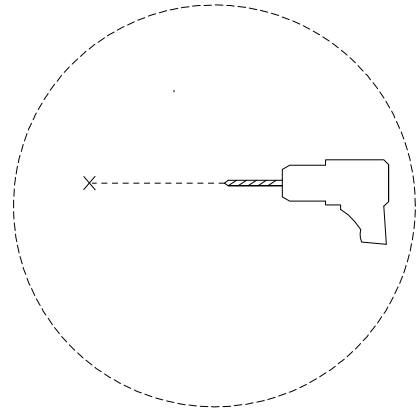
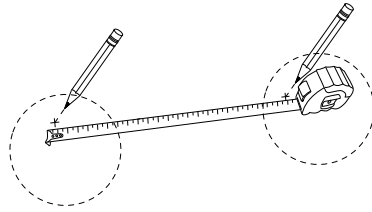


2


A

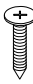


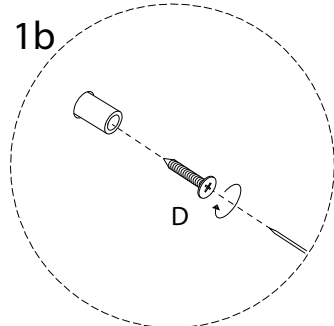
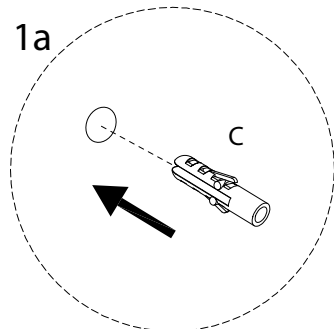
3



4

C

x 2

D

M3
x
25
x 2



5

