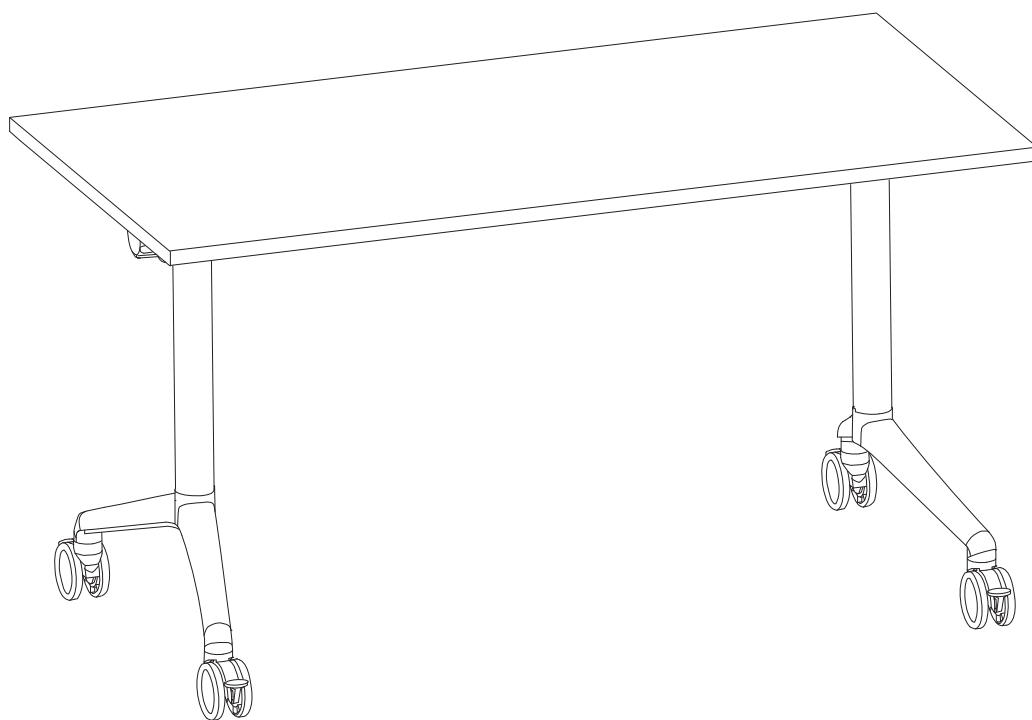
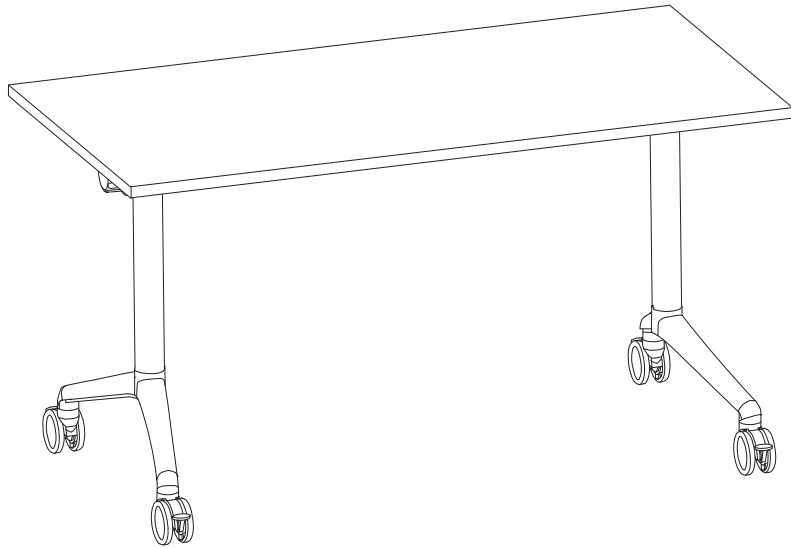
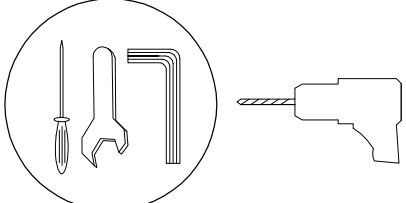

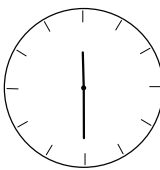
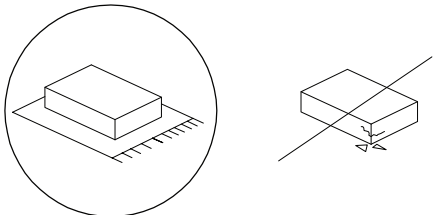


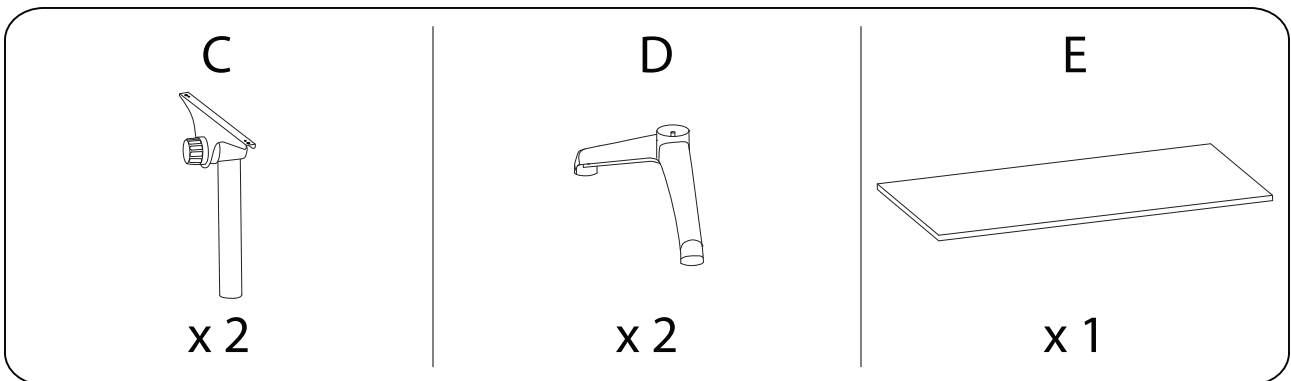
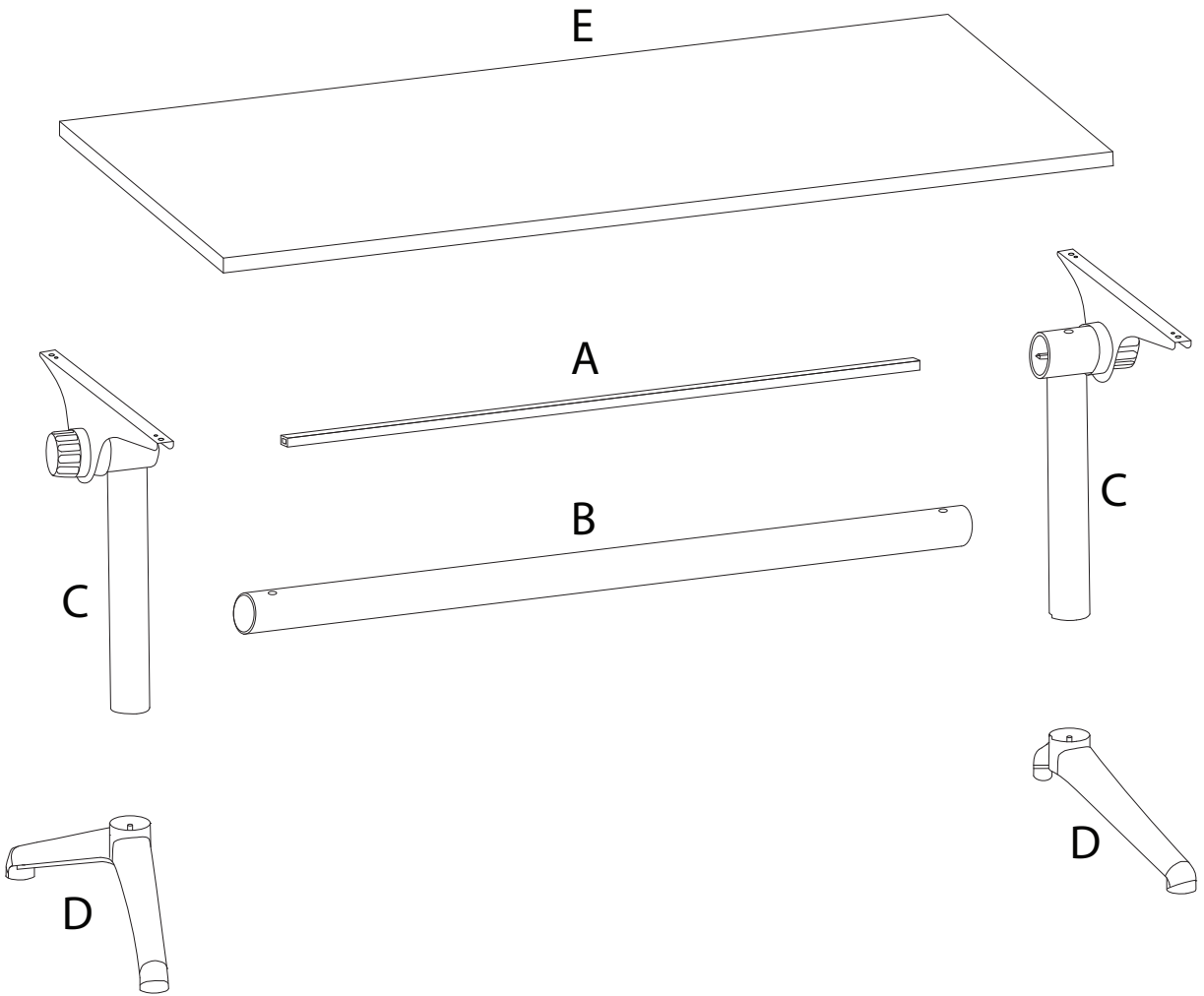
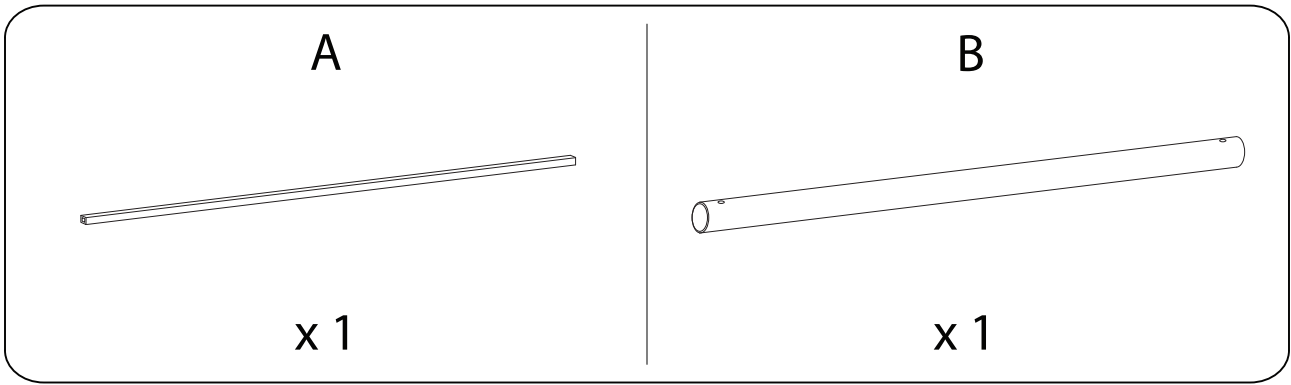


CAVI

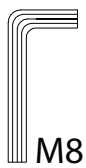




		
		30'
		
		2



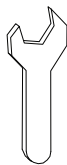
1



M8

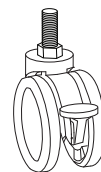
x 1

2



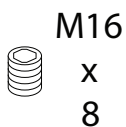
x 1

3



x 4

4



M16

x 8

x 2

5



x 1

6

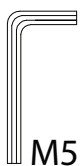


M5

x 20

x 6

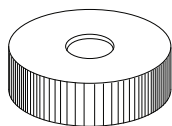
7



M5

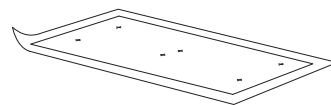
x 1

8



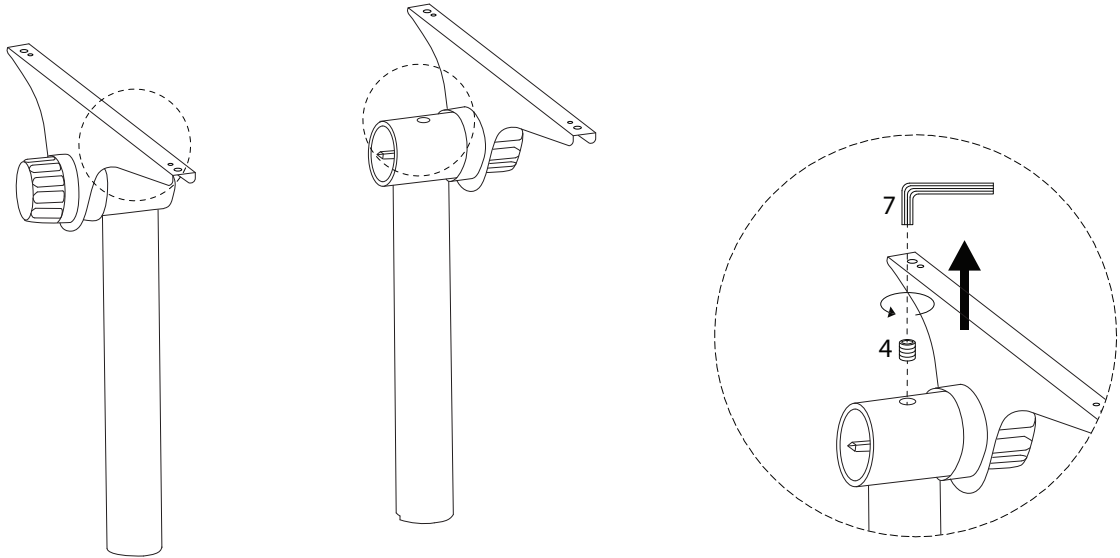
x 4

9

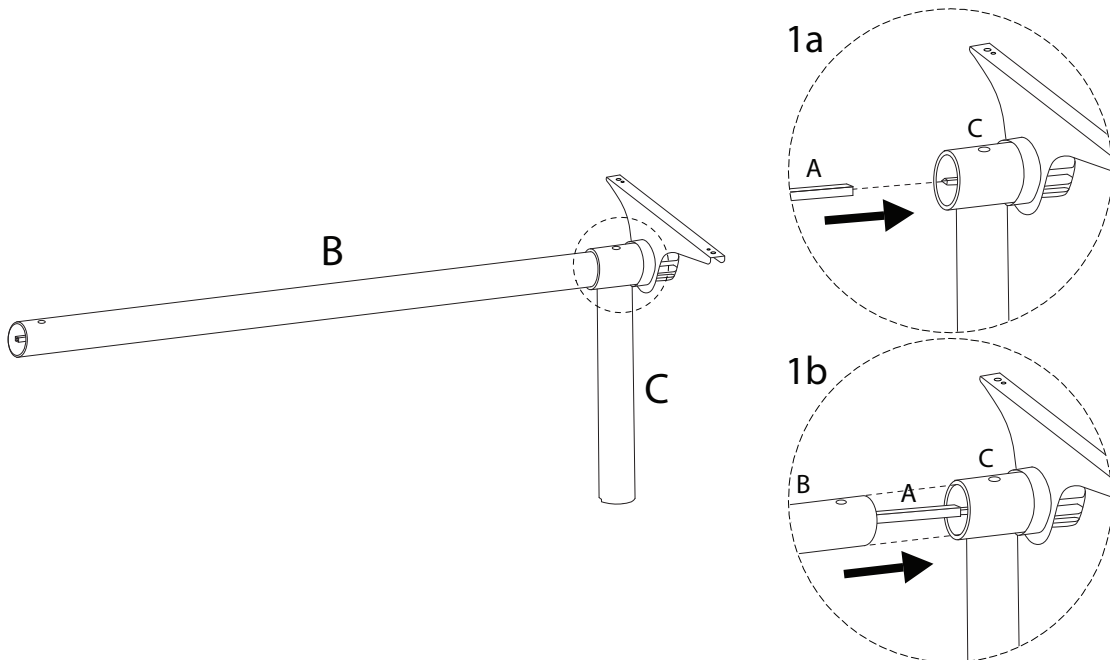
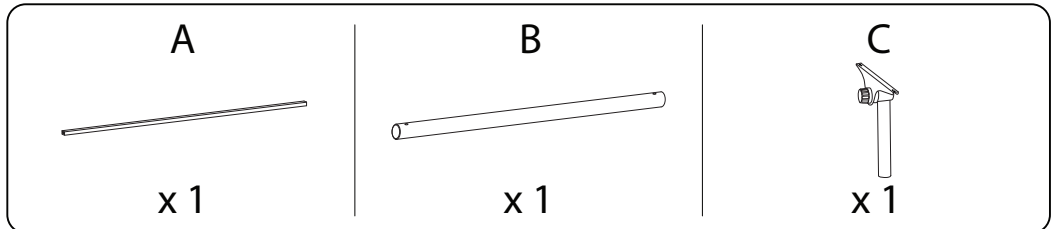


x 1

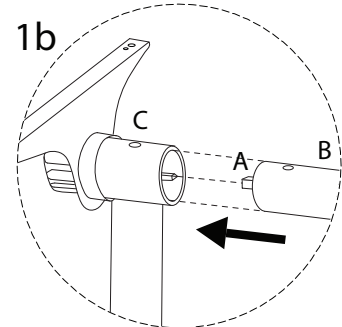
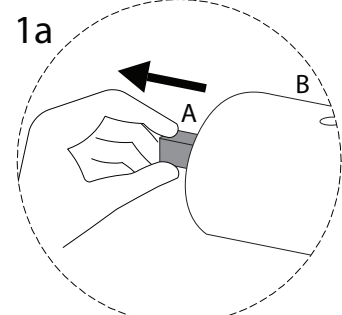
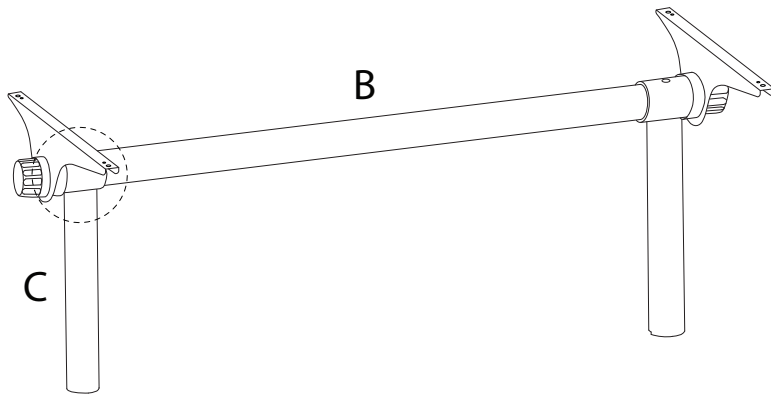
!



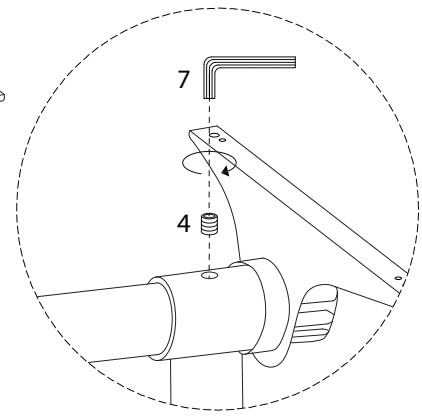
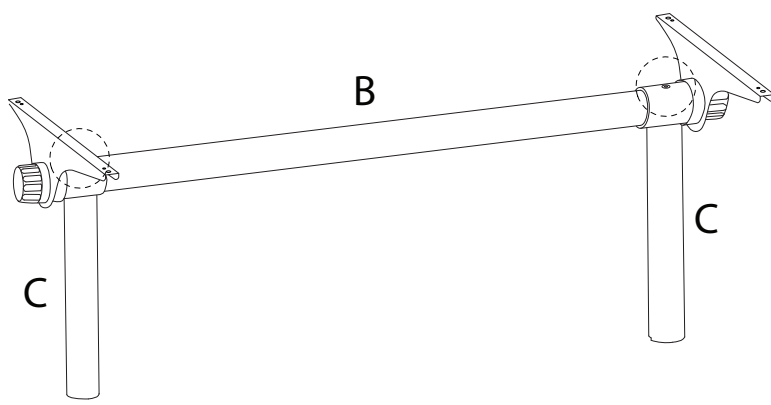
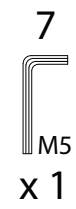
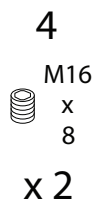
1



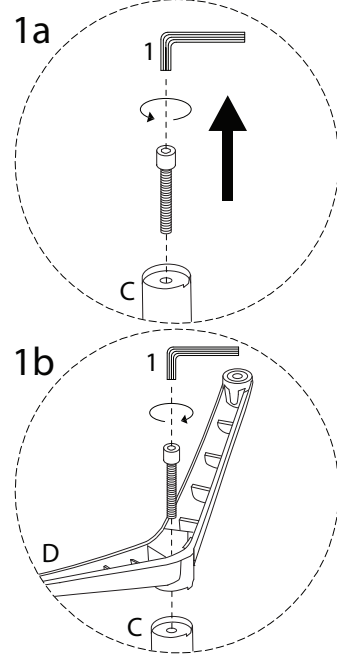
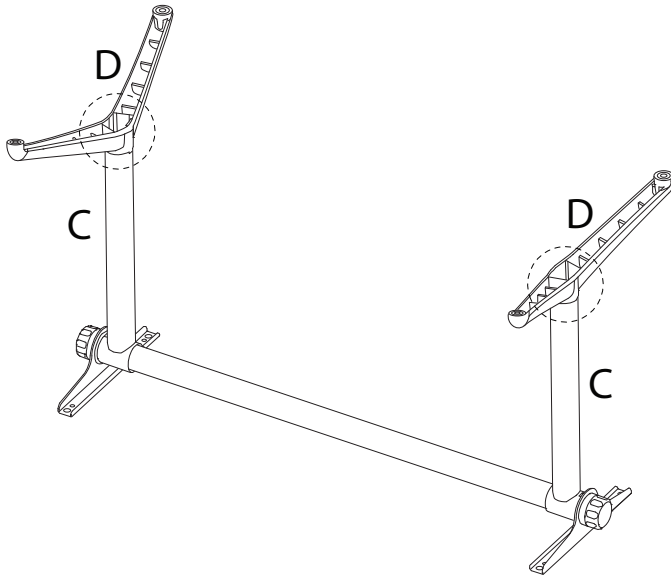
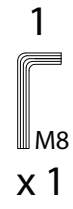
2



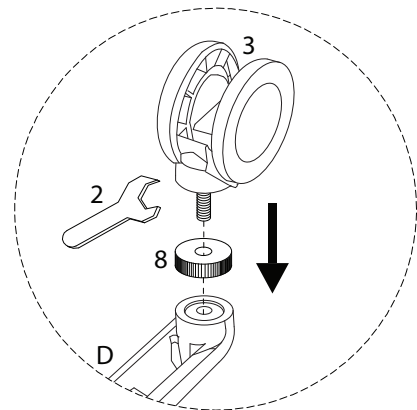
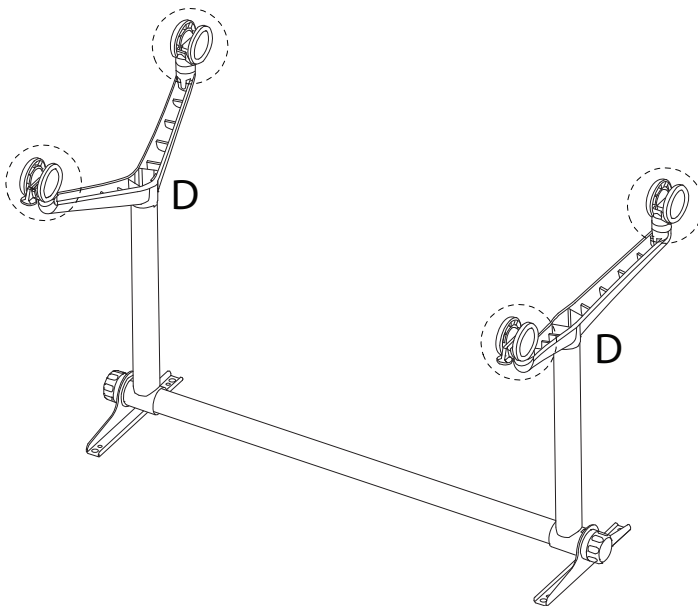
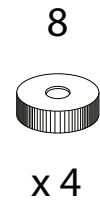
3



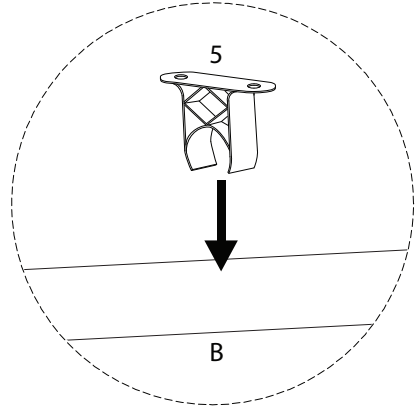
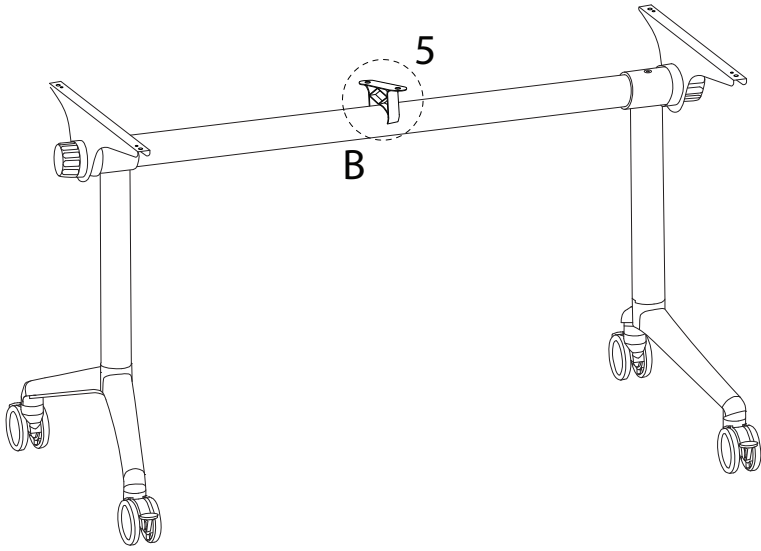
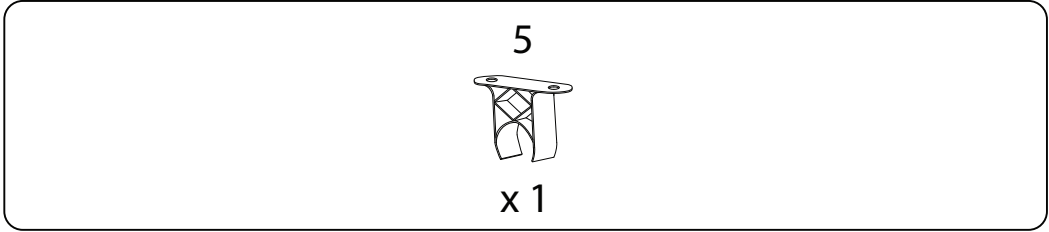
4



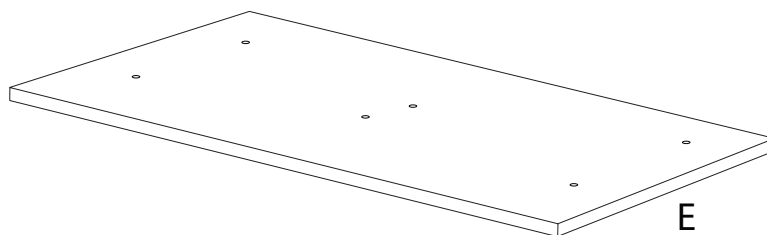
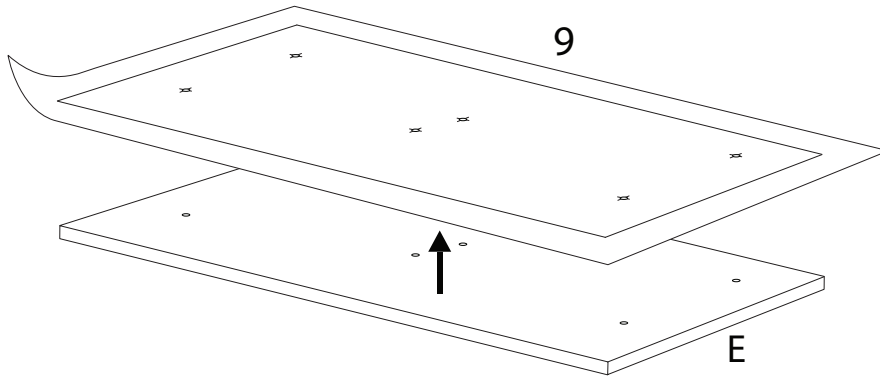
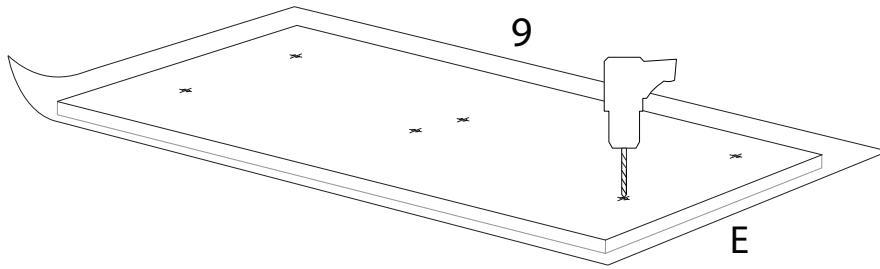
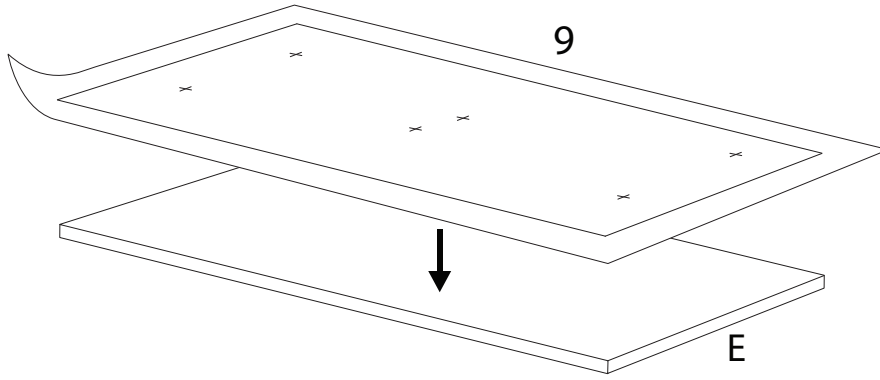
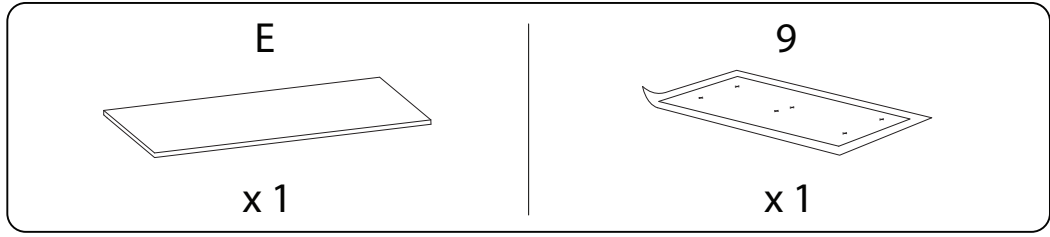
5



6



7

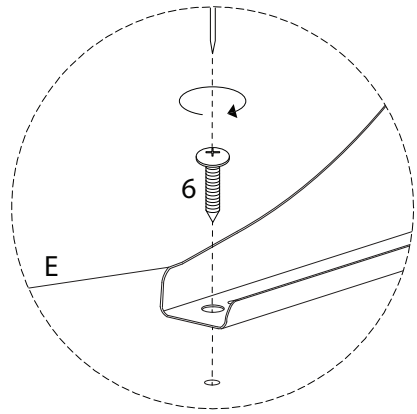
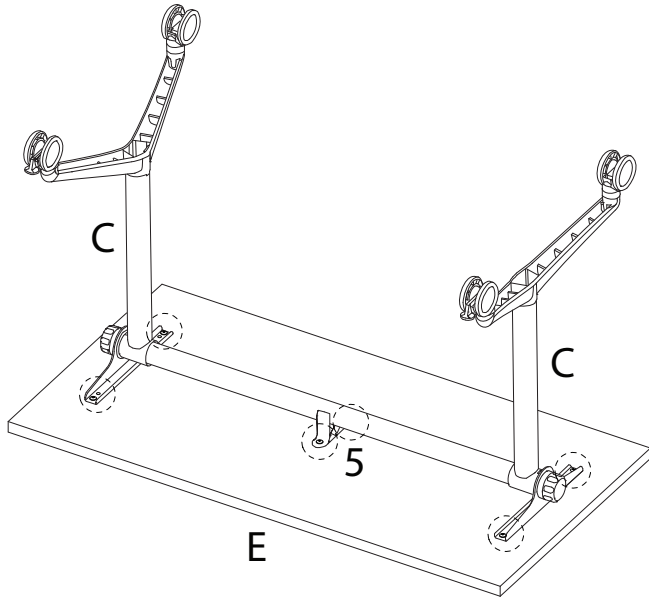


8

6



x 6



!

