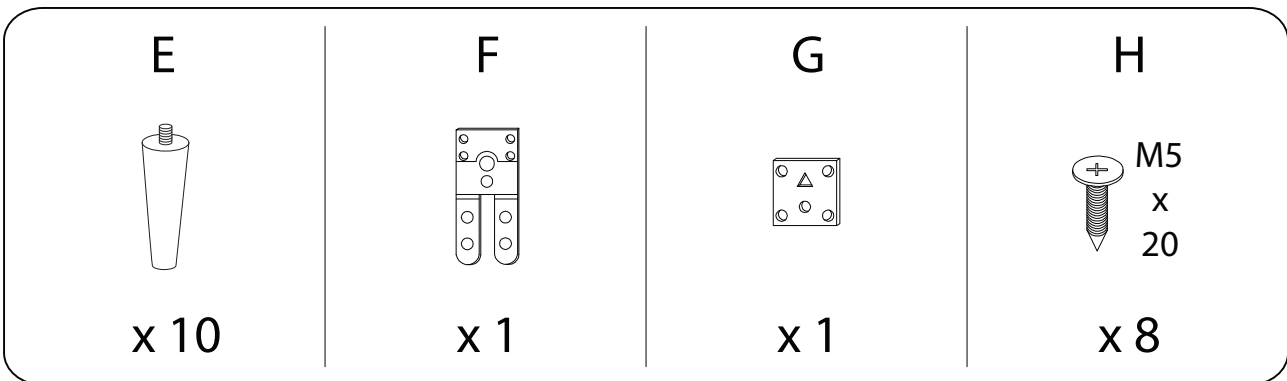
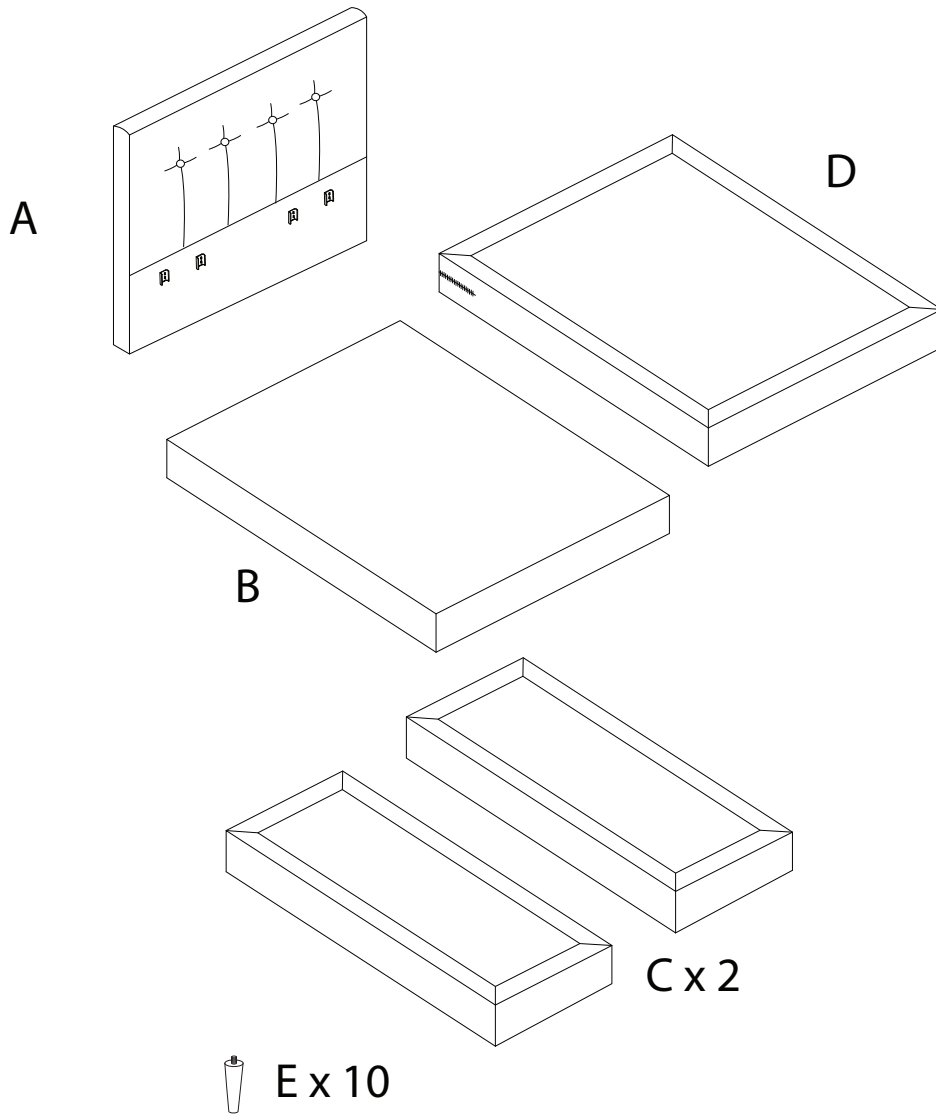
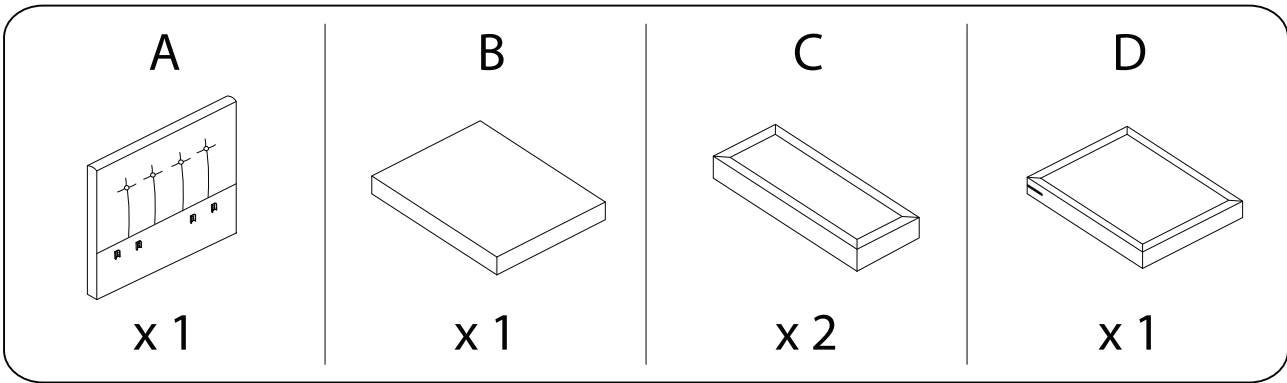


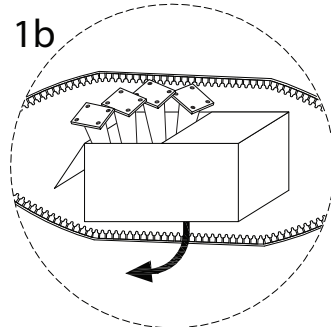
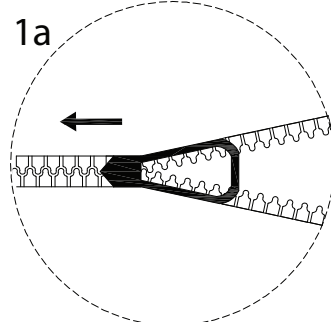
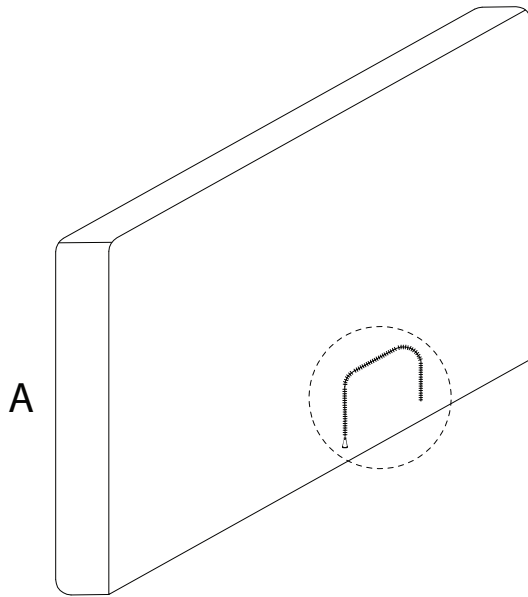
Assembly instructions for step 1/6:

- Tools:** A screwdriver is required. A power drill is not required (indicated by a diagonal line through the drill icon).
- Warnings:** Two warning triangles with exclamation marks are present, one above the tools section and one above the material section.
- Time:** Estimated assembly time is 20 minutes, represented by a clock icon.
- Personnel:** One person is required for assembly, represented by a person icon.

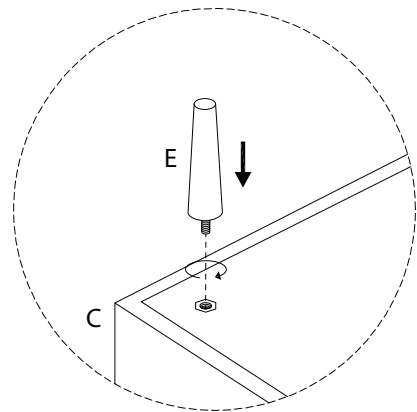
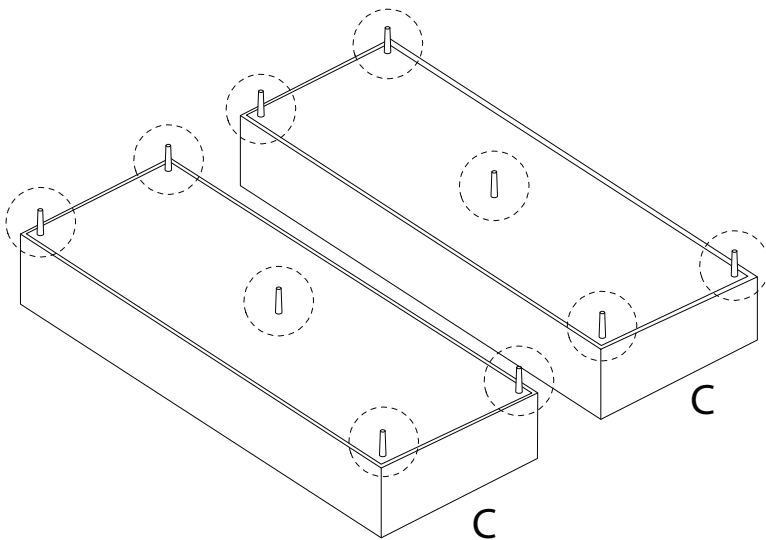
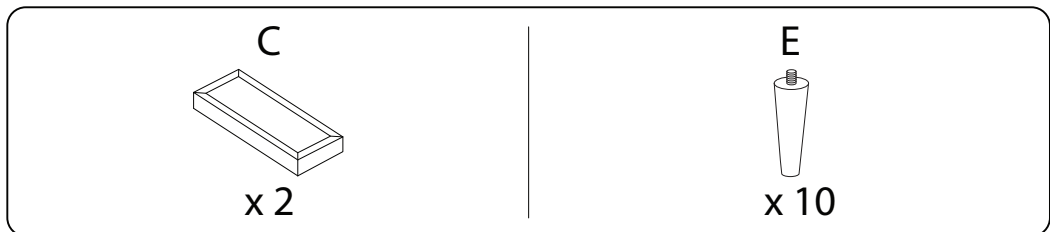
1/6



!

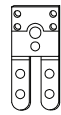


1



2

F



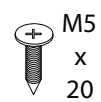
x 1

G

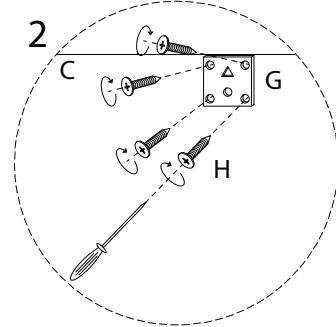
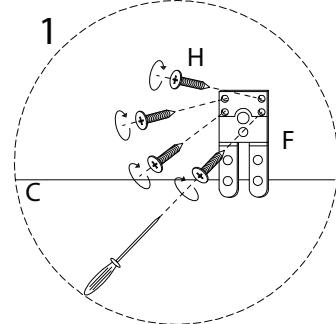
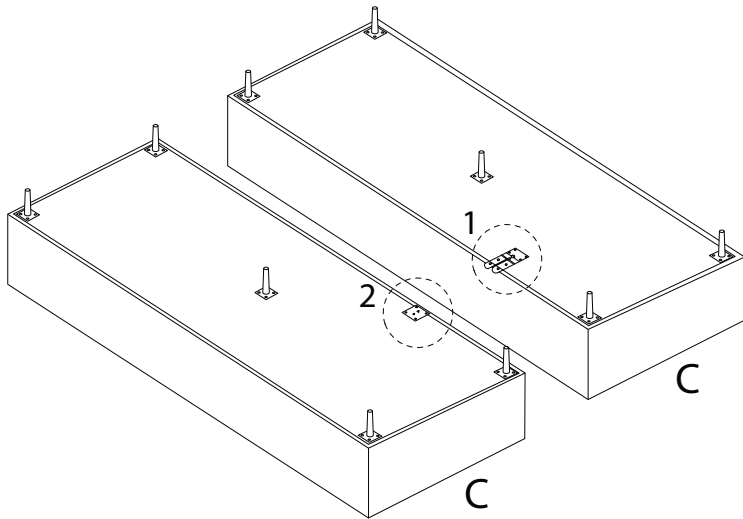


x 1

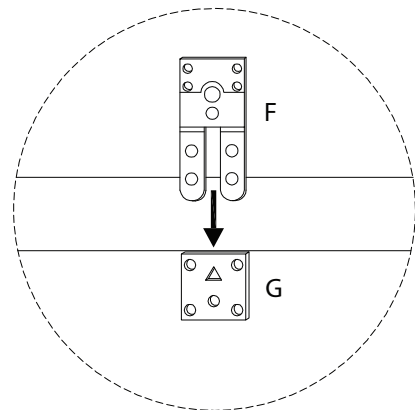
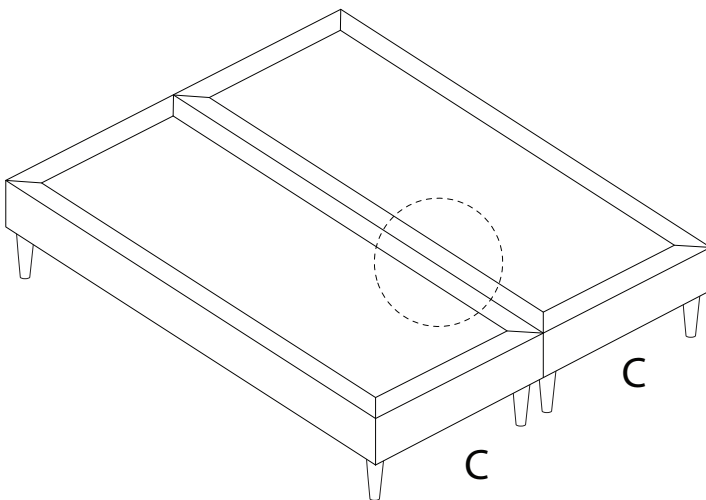
H



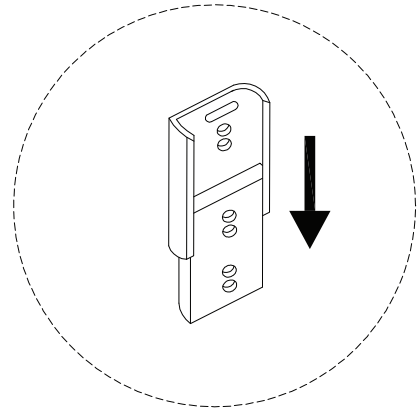
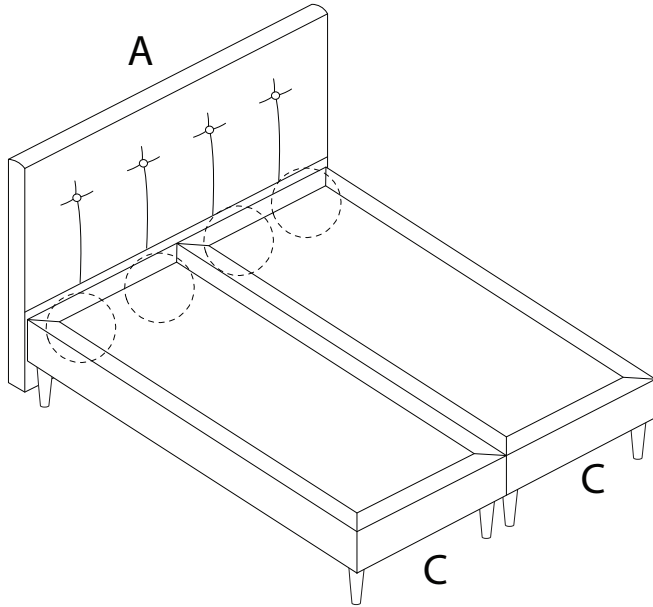
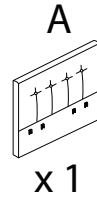
x 8



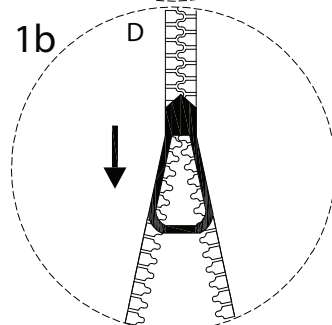
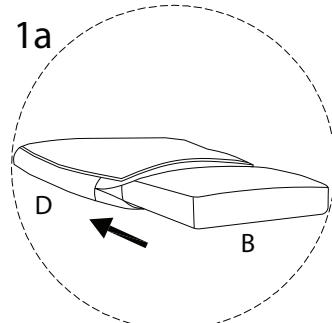
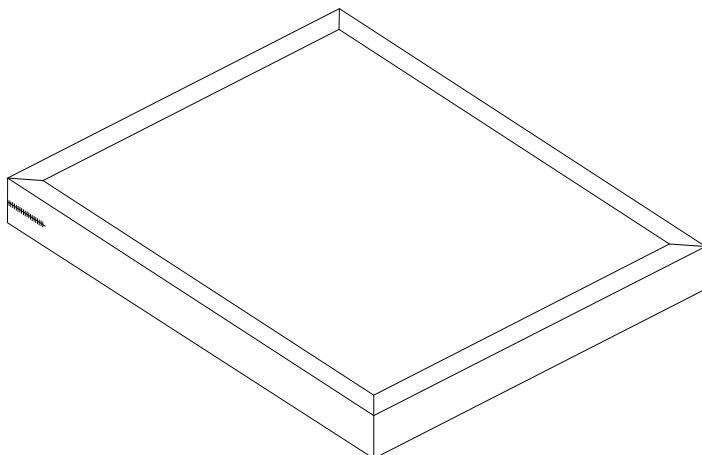
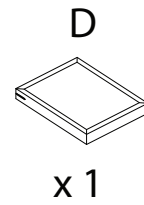
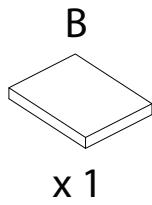
3



4



5



6

