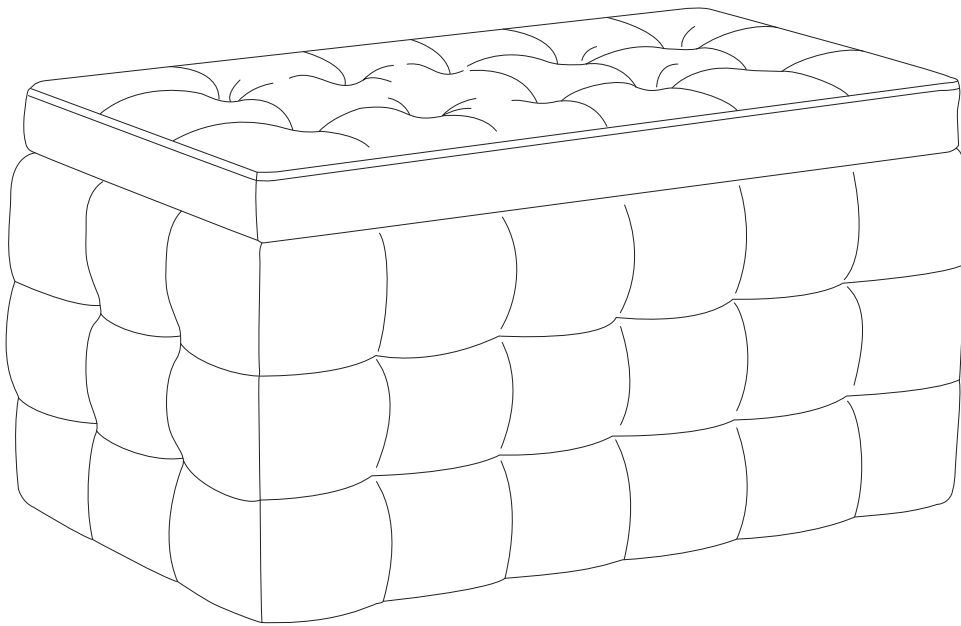
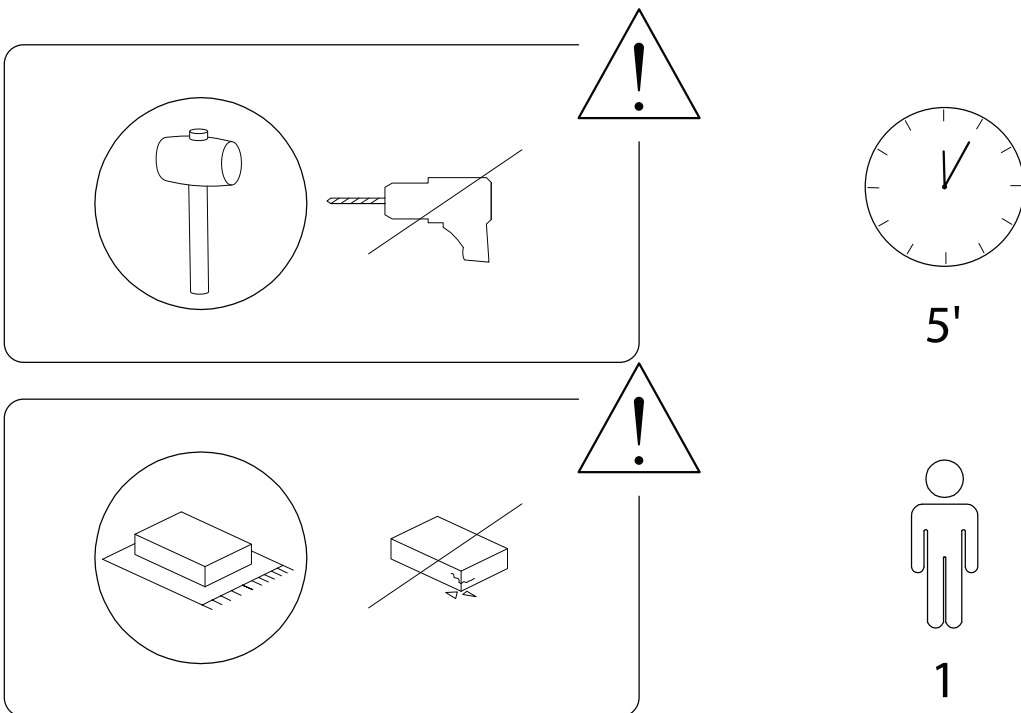
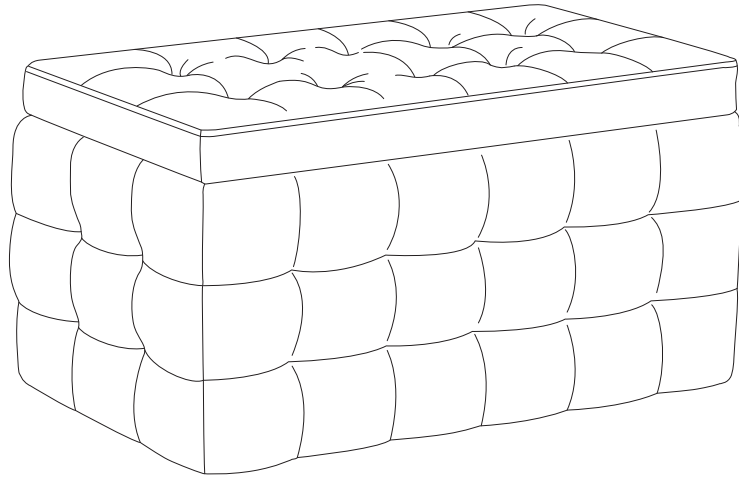
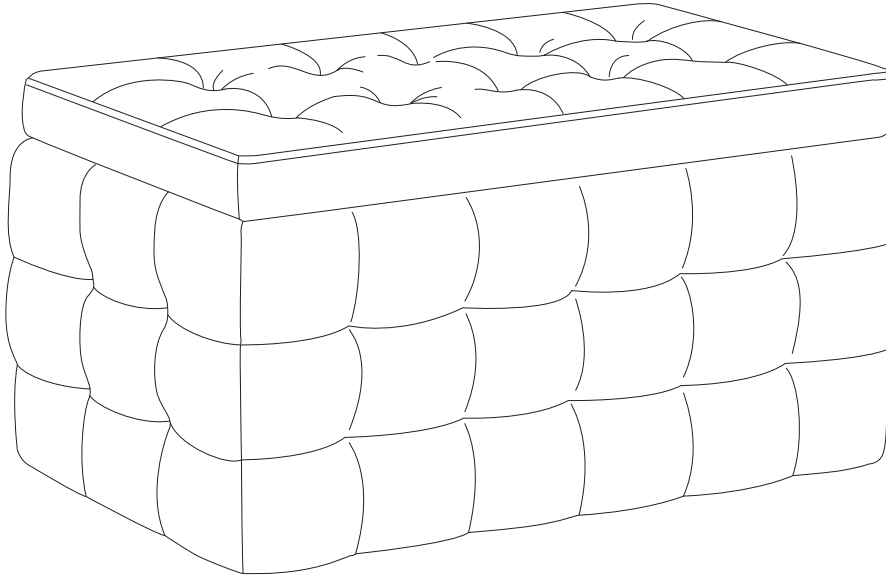


MICHIGAN





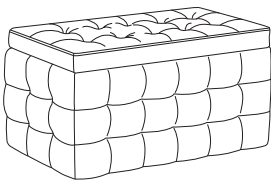
A



B x 4

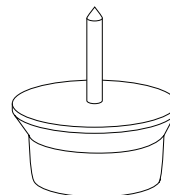


A



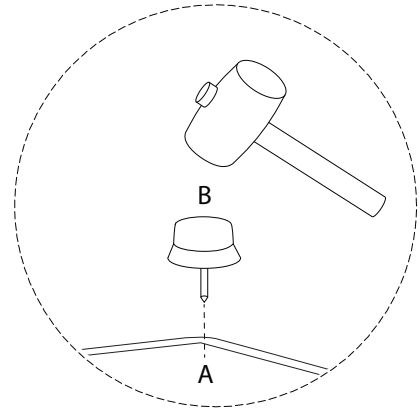
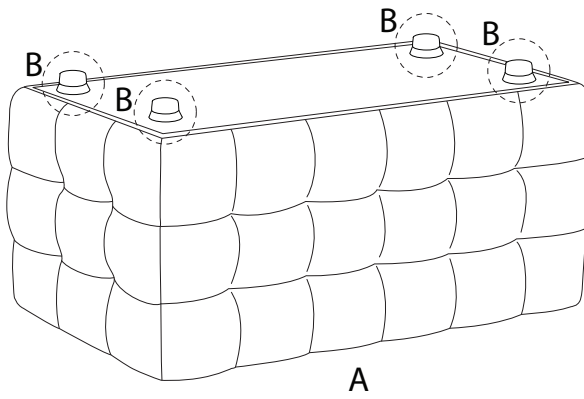
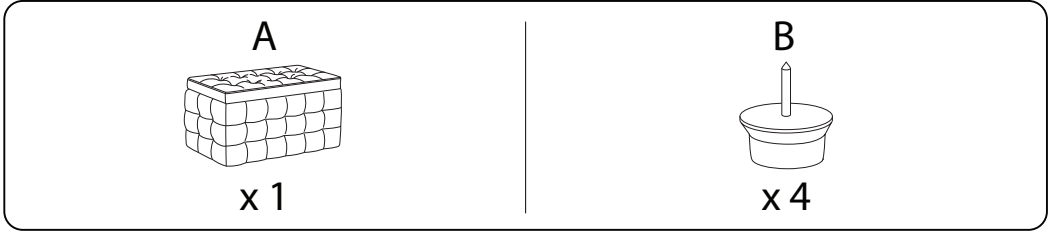
x 1

B



x 4

1



!

