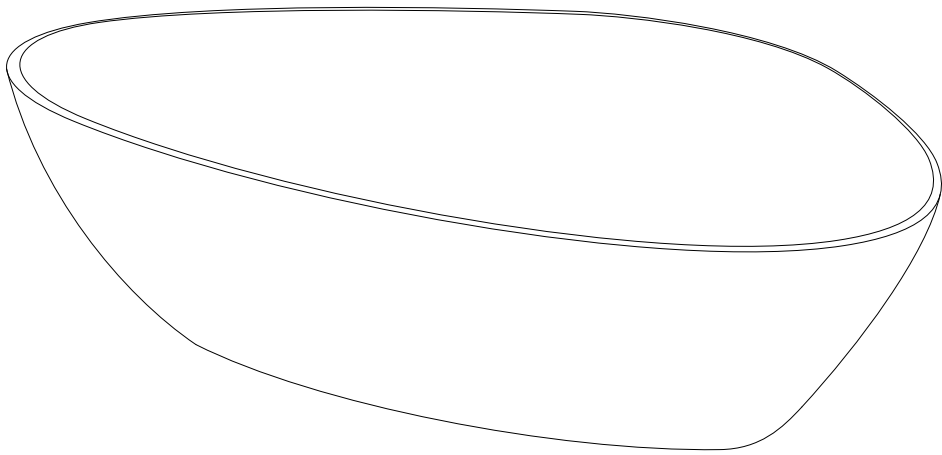
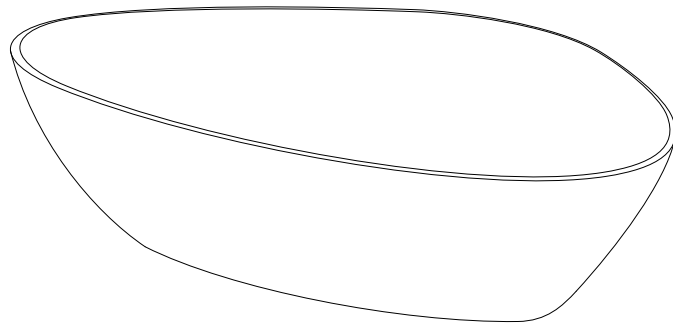


# TIRIG





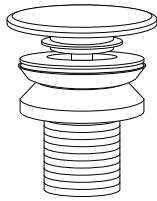
Tools and materials required for assembly:

- Icon of a pencil, a utility knife, a tape measure, and a power drill.
- Warning symbol: a triangle with an exclamation mark.
- Icon of a clock face.
- Text: **20'**
- Icon of a person.
- Text: **1**

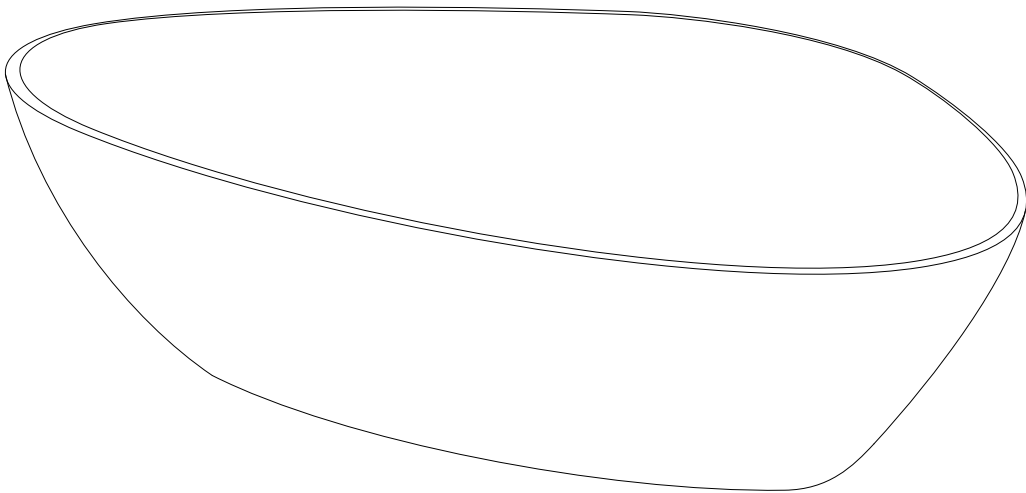
Assembly steps:

- Icon of a rectangular block being placed on a textured surface.
- Warning symbol: a triangle with an exclamation mark.
- Icon of a rectangular block with a diagonal line through it, indicating a cut or removal.

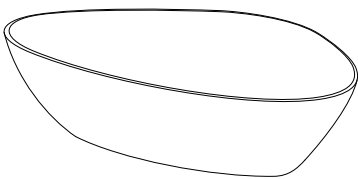
**B**



**A**

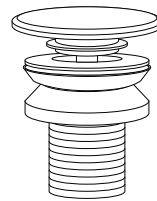


**A**



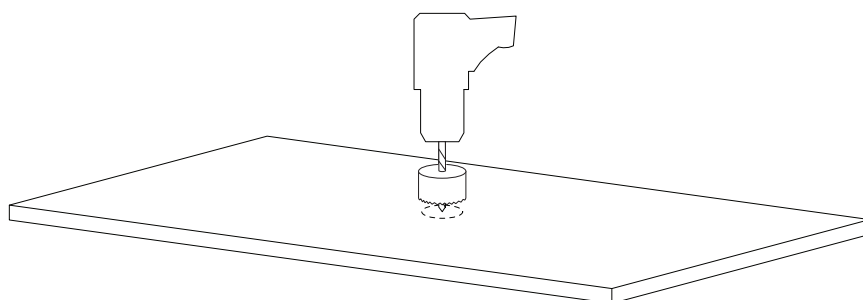
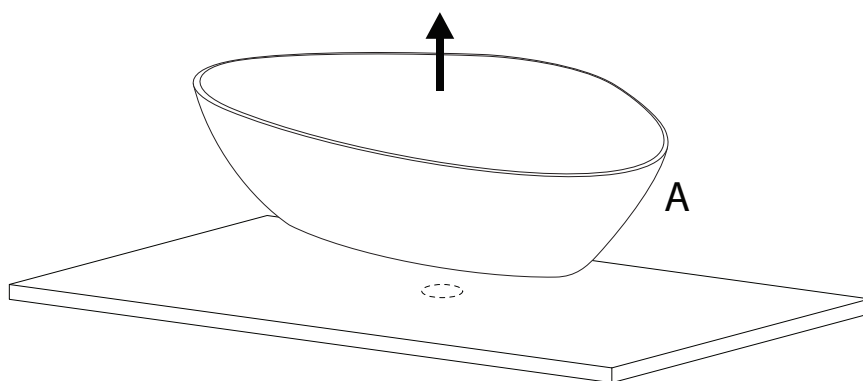
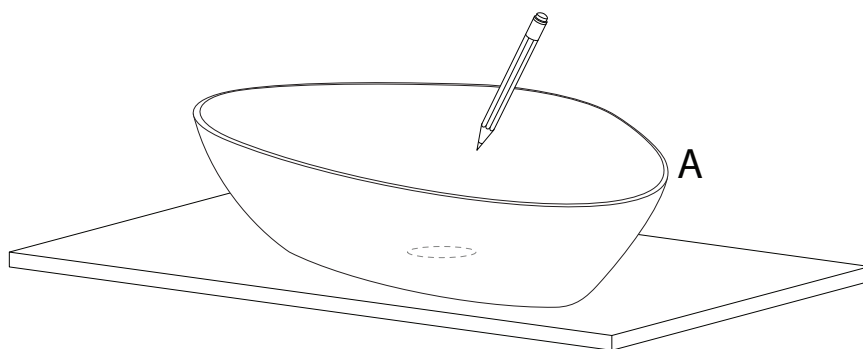
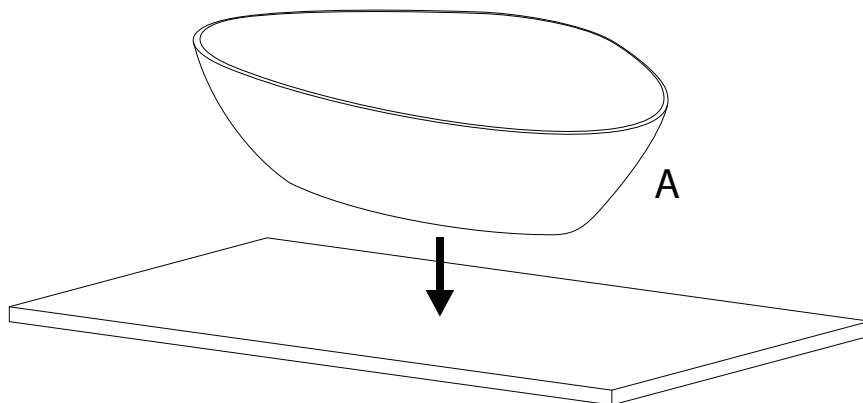
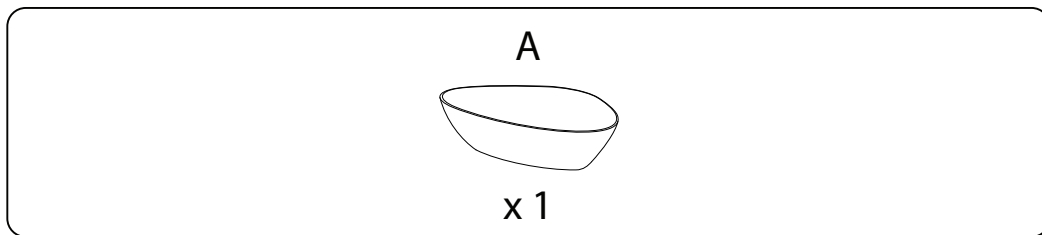
**x 1**

**B**

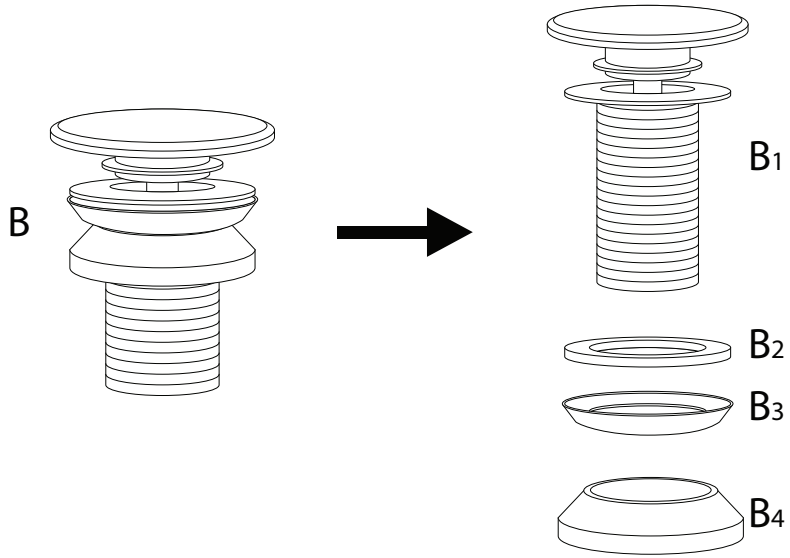


**x 1**

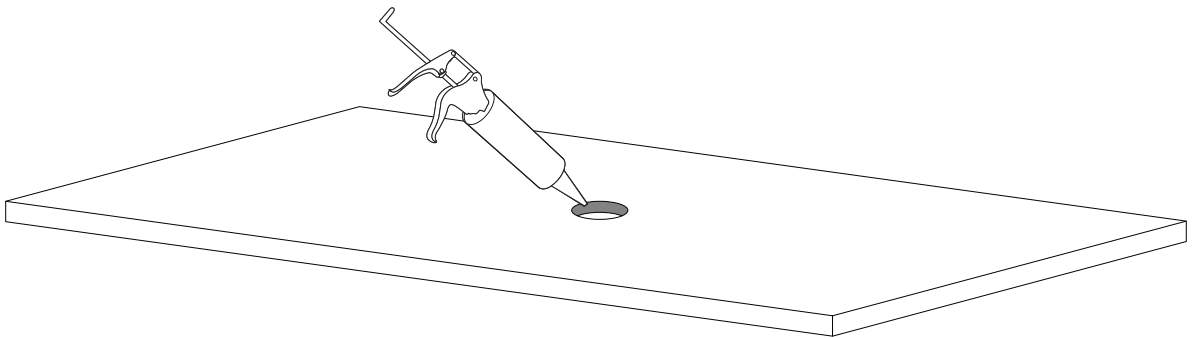
1



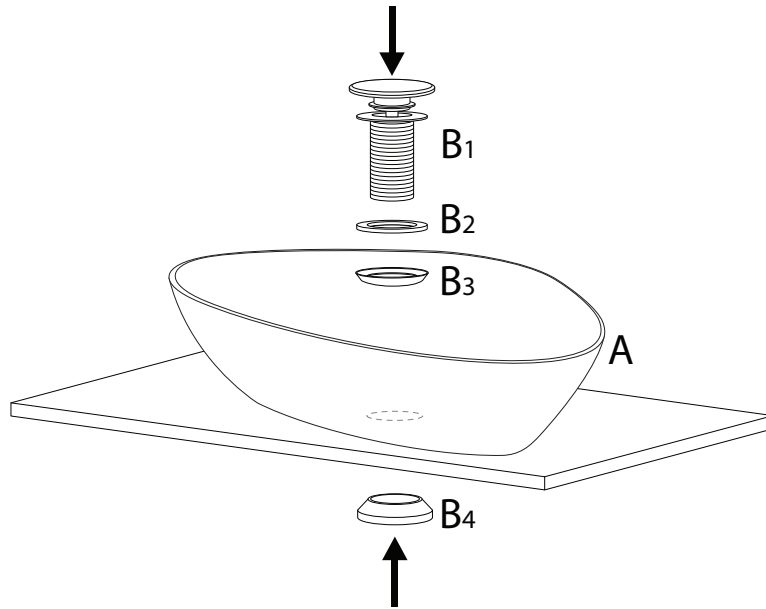
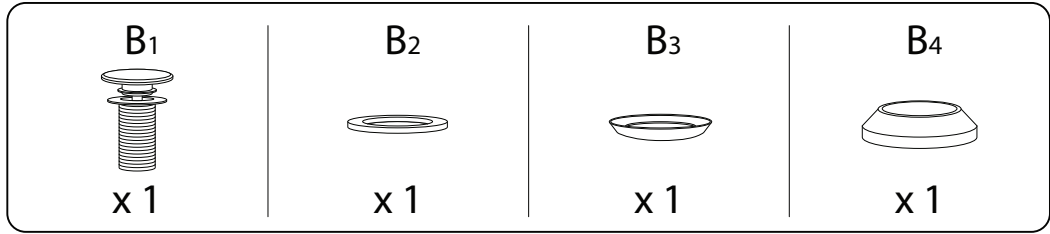
!



!



2



3

