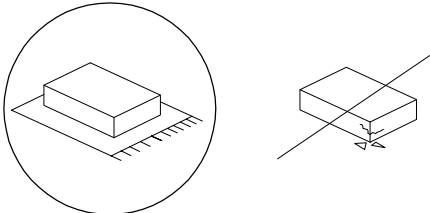
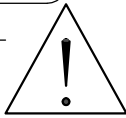
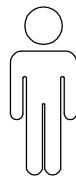
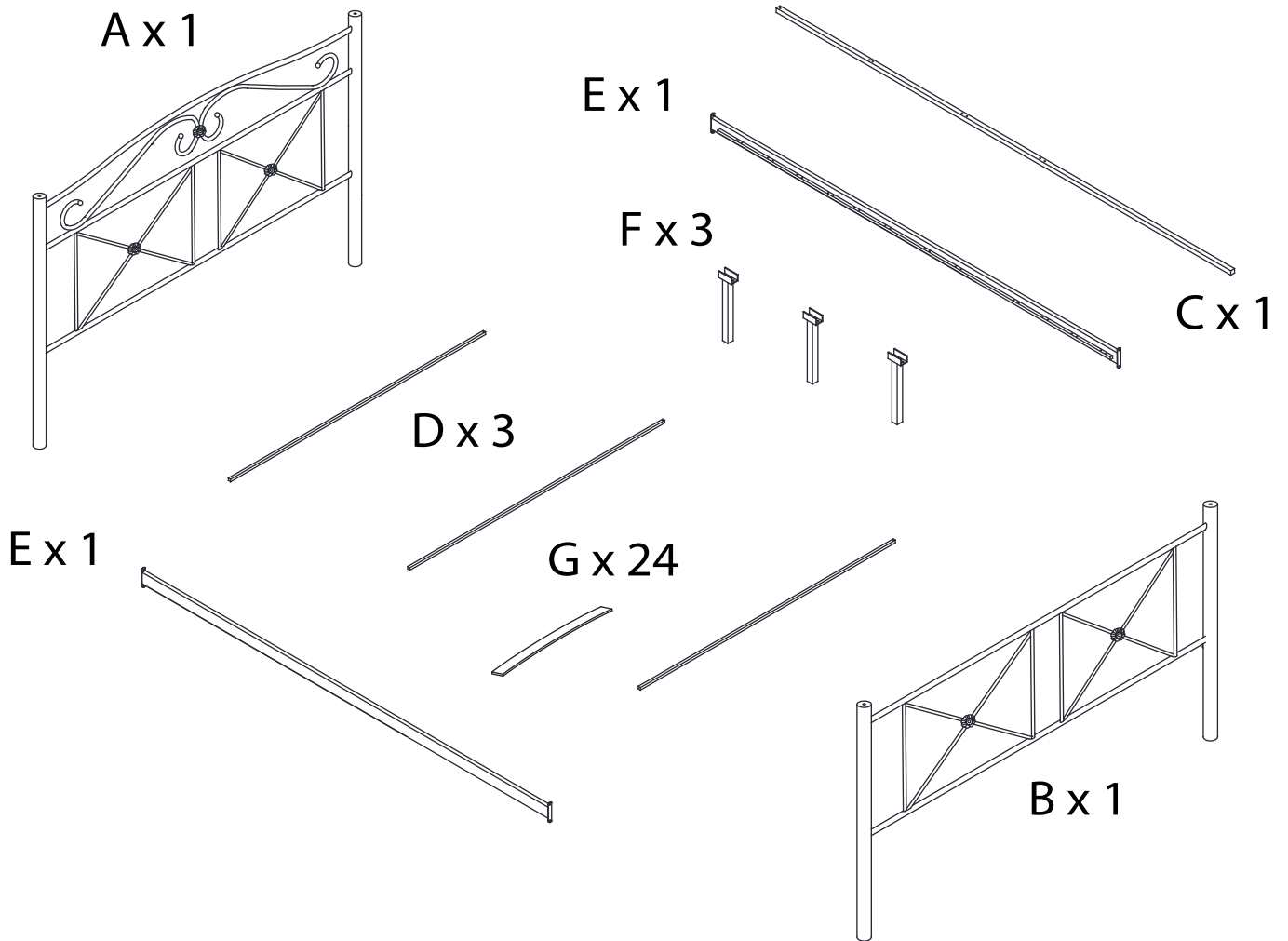
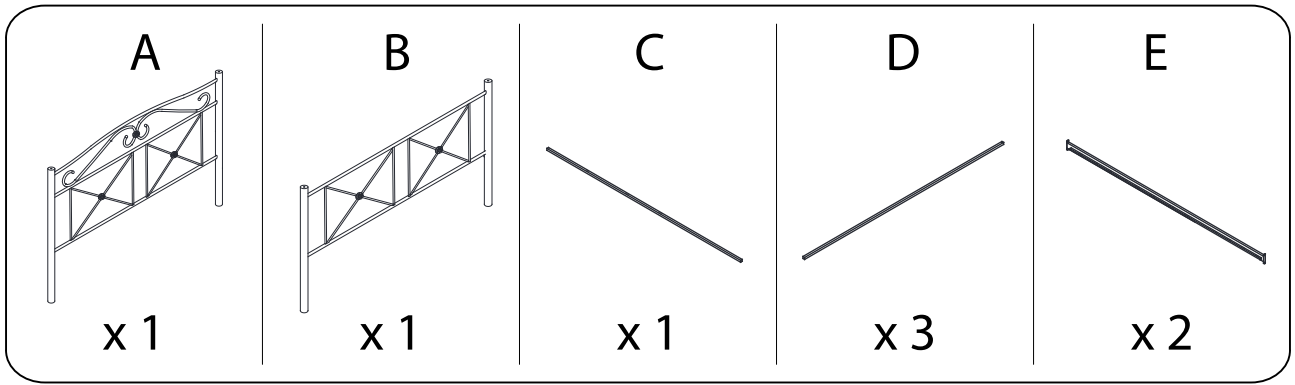
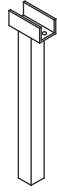

		<b>45'</b>
		
		<b>2</b>

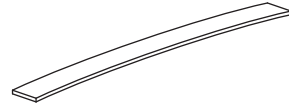


F



x 3

G



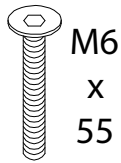
x 24

H



x 4

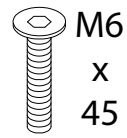
I



M6  
x  
55

x 3

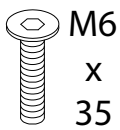
J



M6  
x  
45

x 6

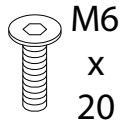
K



M6  
x  
35

x 5

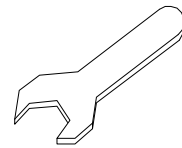
L



M6  
x  
20

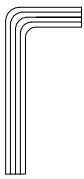
x 4

M



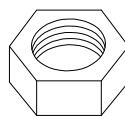
x 1

N



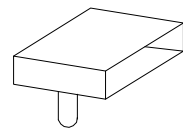
x 1

O



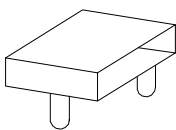
x 16

P



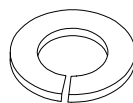
x 12

Q



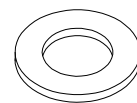
x 24

R



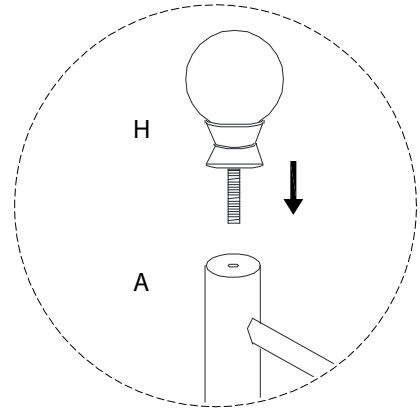
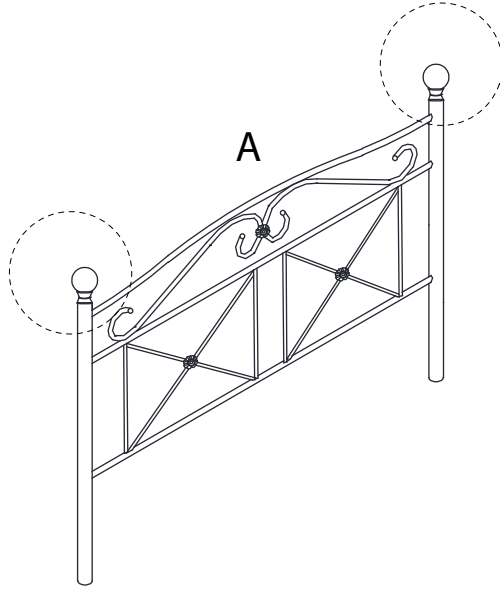
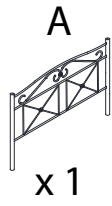
x 4

S

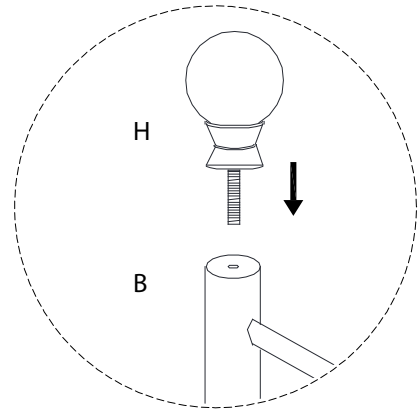
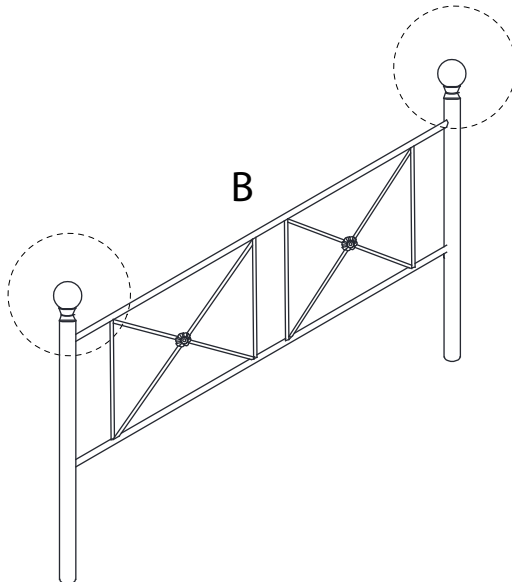
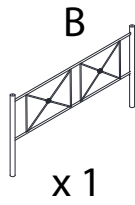


x 18



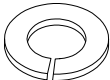
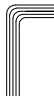
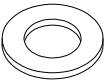
1

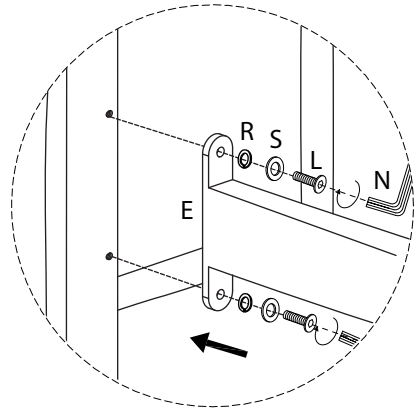
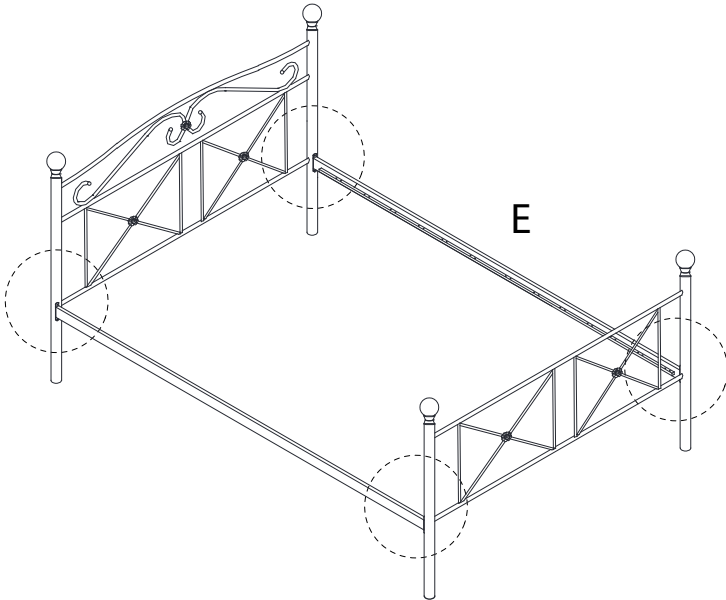


2


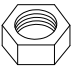
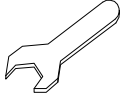
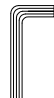
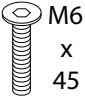


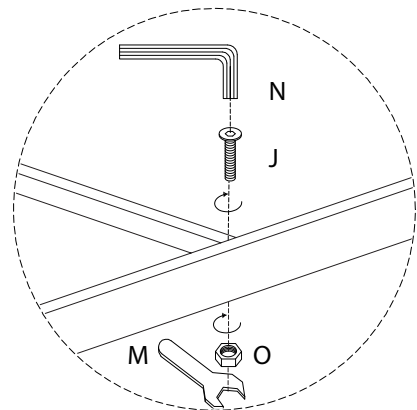
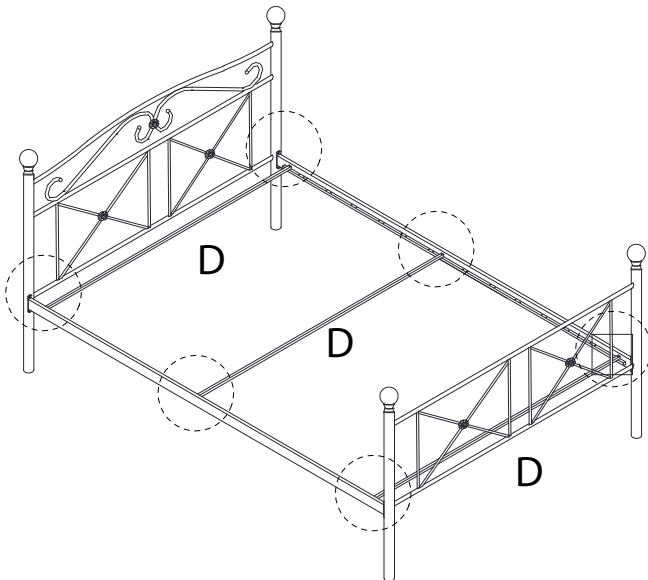
3

<p>E</p>  <p>x 2</p>	<p>L</p>  <p>M6 x 20 x 8</p>	<p>R</p>  <p>x 8</p>	<p>N</p>  <p>x 1</p>	<p>S</p>  <p>x 8</p>
---	---	---	---	---


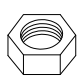
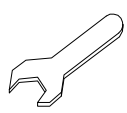
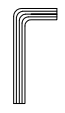
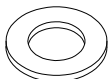
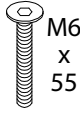


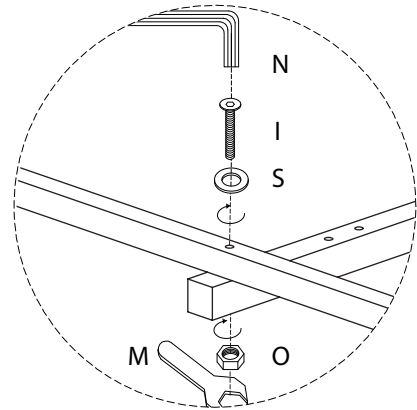
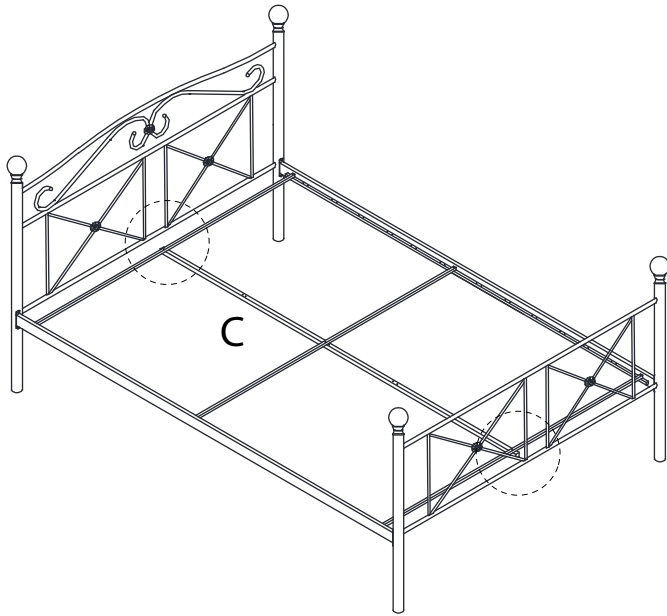
4

<p>D</p>  <p>x 3</p>	<p>O</p>  <p>x 6</p>	<p>M</p>  <p>x 1</p>	<p>N</p>  <p>x 1</p>	<p>J</p>  <p>M6 x 45 x 6</p>
---	---	---	---	---

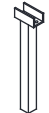
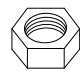
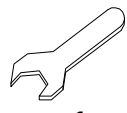
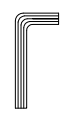

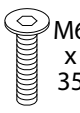
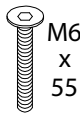


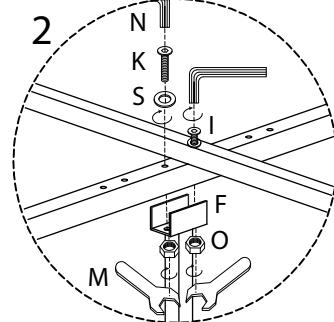
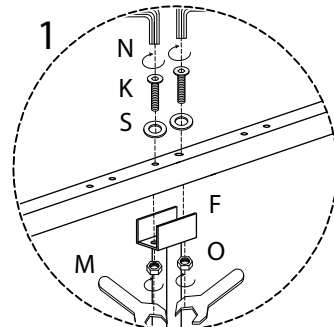
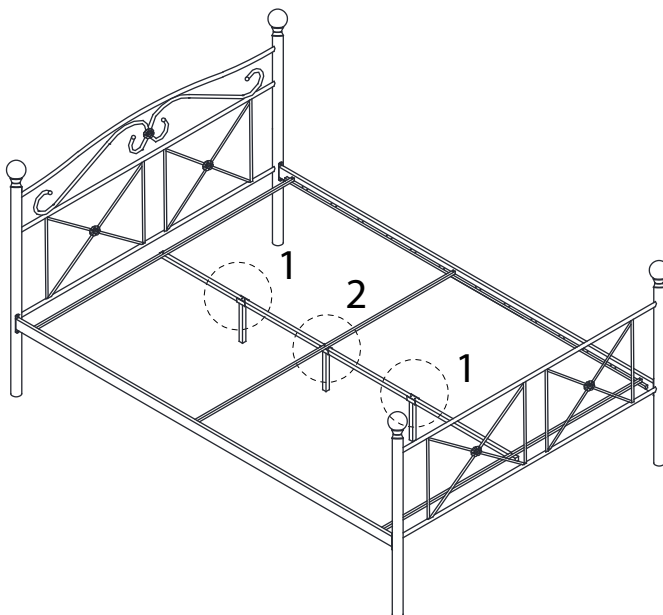
5

C	O	M	N	S	I
					
x 1	x 2	x 1	x 1	x 2	x 2

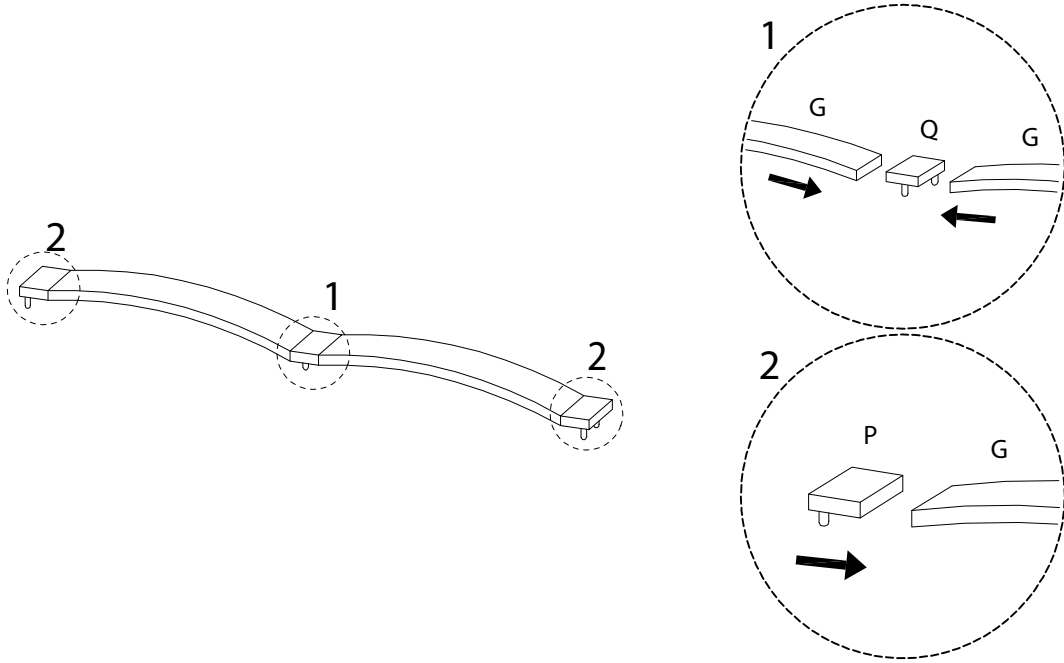
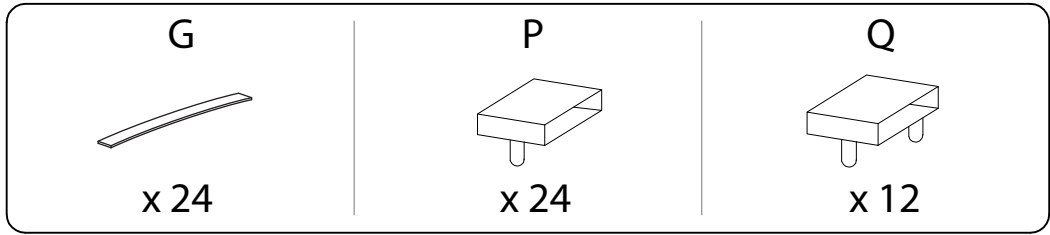


7

F	O	M	N	S	K	I
						
x 3	x 6	x 1	x 1	x 6	x 5	x 1



8



9

