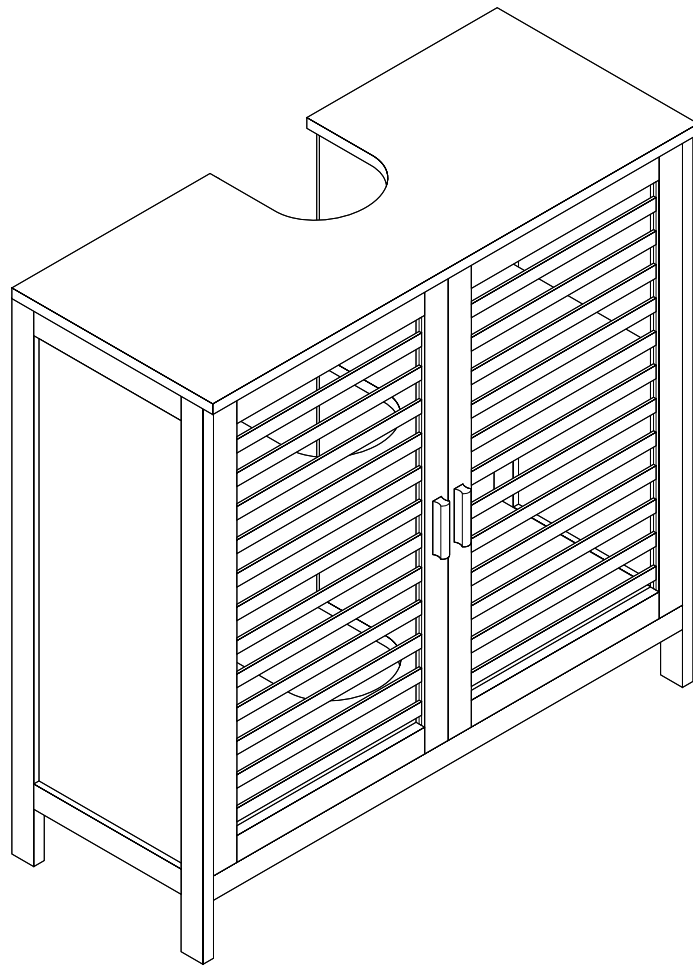
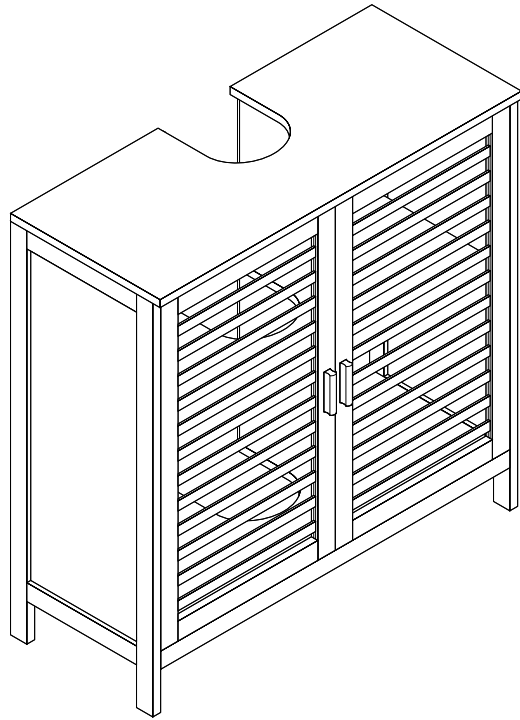


MISSOULA





Assembly instructions for the cabinet, including tool requirements, time, and personnel.

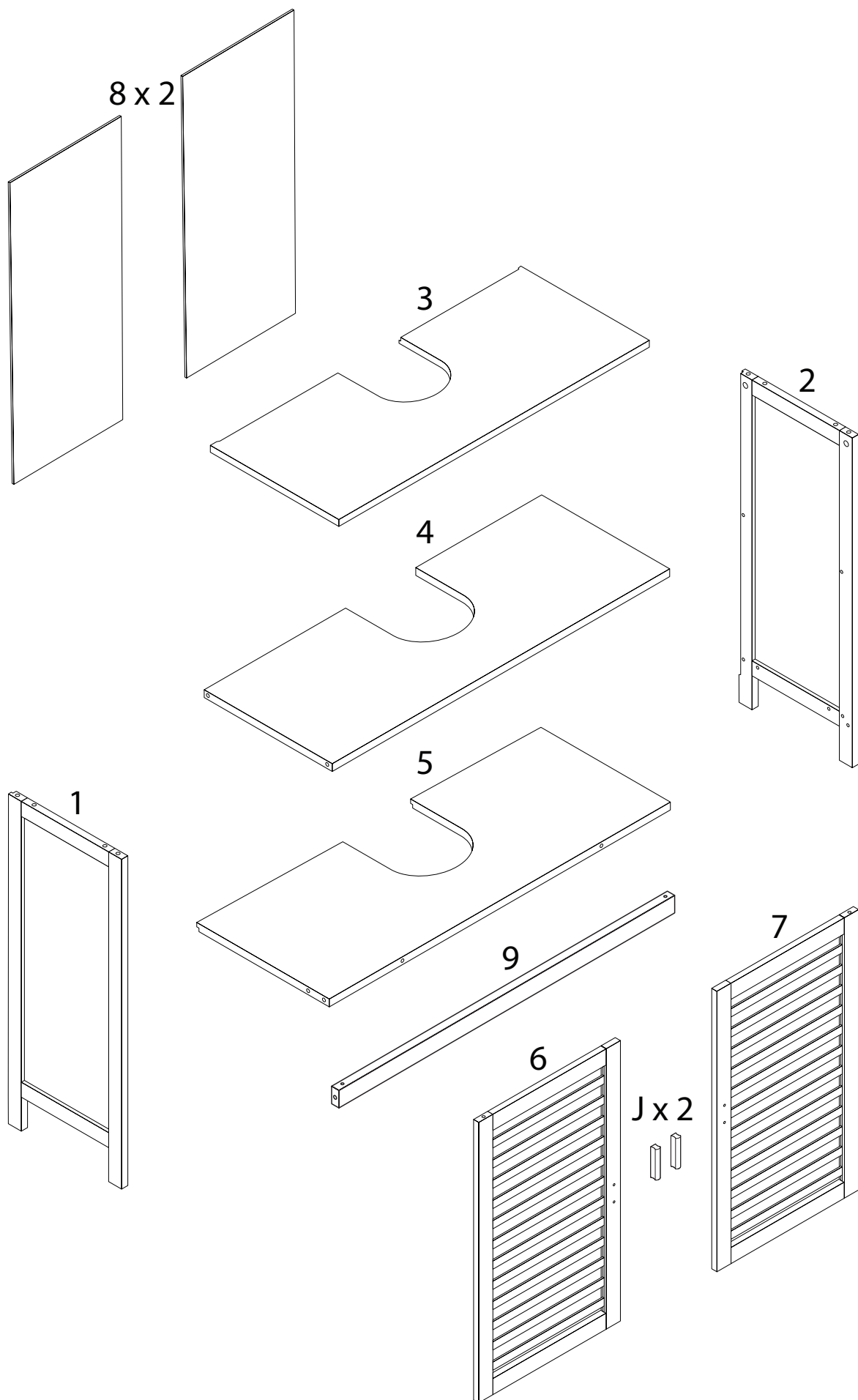
Tools: A circular icon shows a screwdriver. A power drill icon is crossed out with a diagonal line, indicating it is not to be used.

Warning: A triangular warning icon with an exclamation mark is positioned to the right of the tool icons.

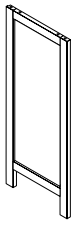
Time: A clock icon is shown, with the number **60'** below it, indicating a 60-minute assembly time.

Personnel: A stick figure icon is shown, with the number **2** below it, indicating that two people are required for assembly.

Material Handling: A circular icon shows a rectangular block being placed on a textured surface. A second icon shows the same block being lifted, with a diagonal line and arrows indicating the correct lifting technique.



1



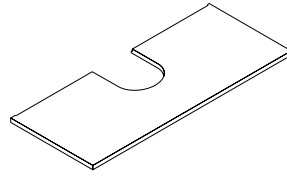
x 1

2



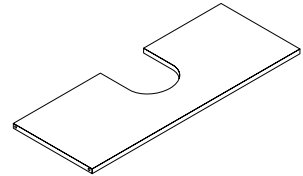
x 1

3



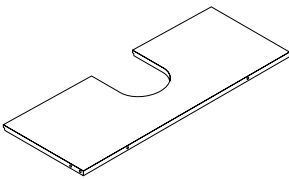
x 1

4



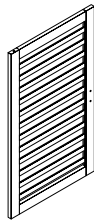
x 1

5



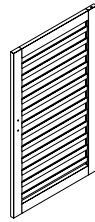
x 1

6



x 1

7



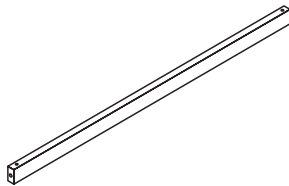
x 1

8



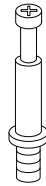
x 2

9



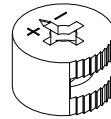
x 1

A



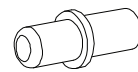
x 14

B



x 14

C



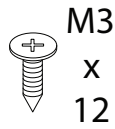
x 4

D



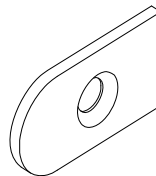
x 4

E



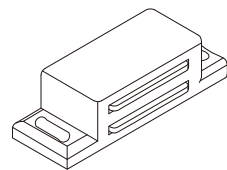
x 14

F



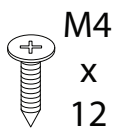
x 2

G



x 1

H



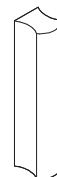
x 2

I



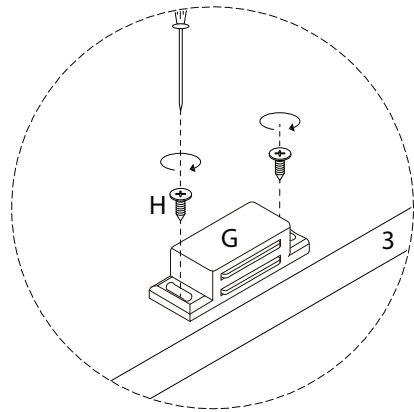
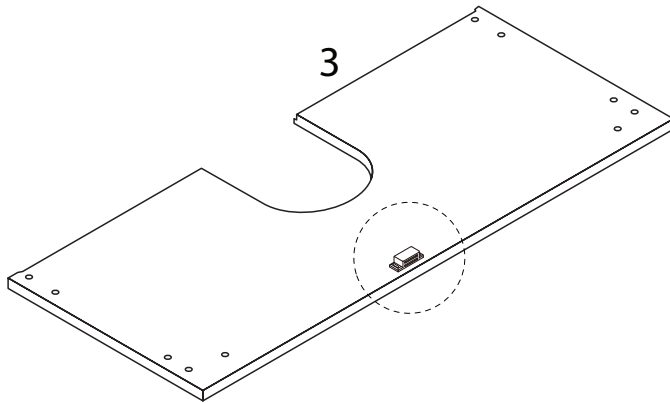
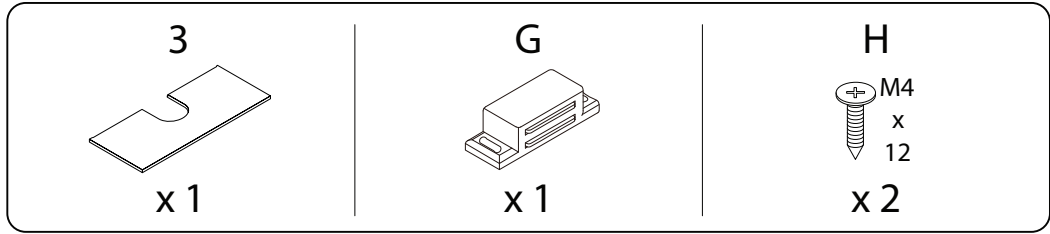
x 10

J

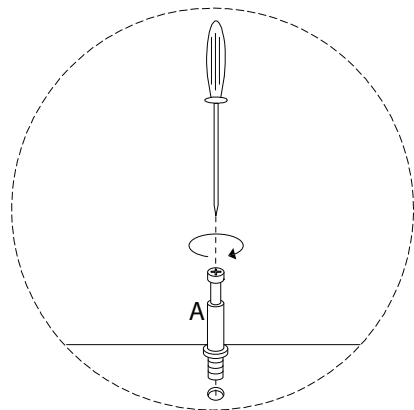
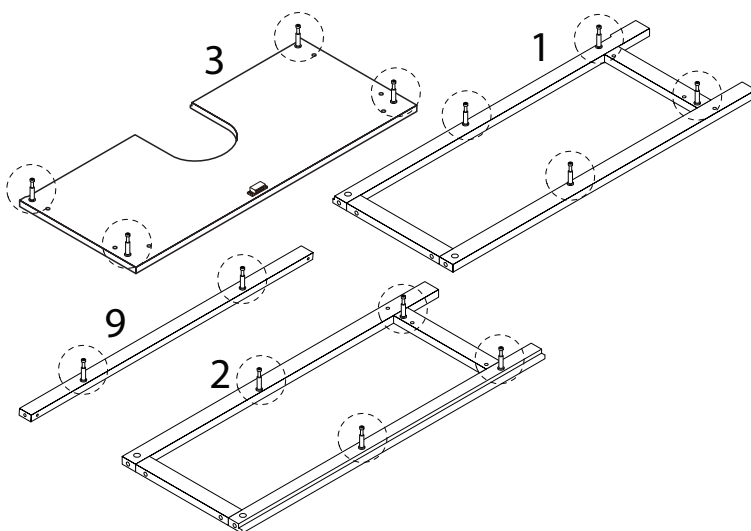
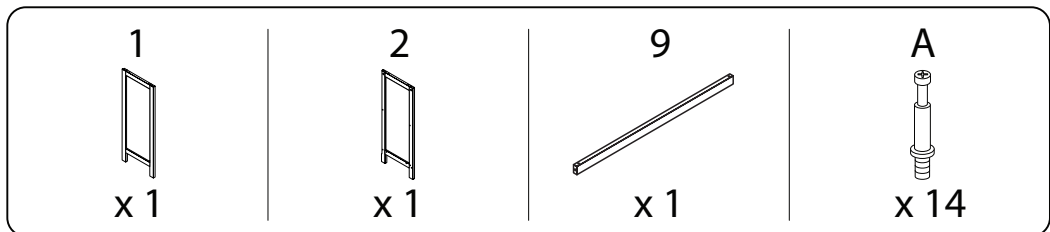


x 2

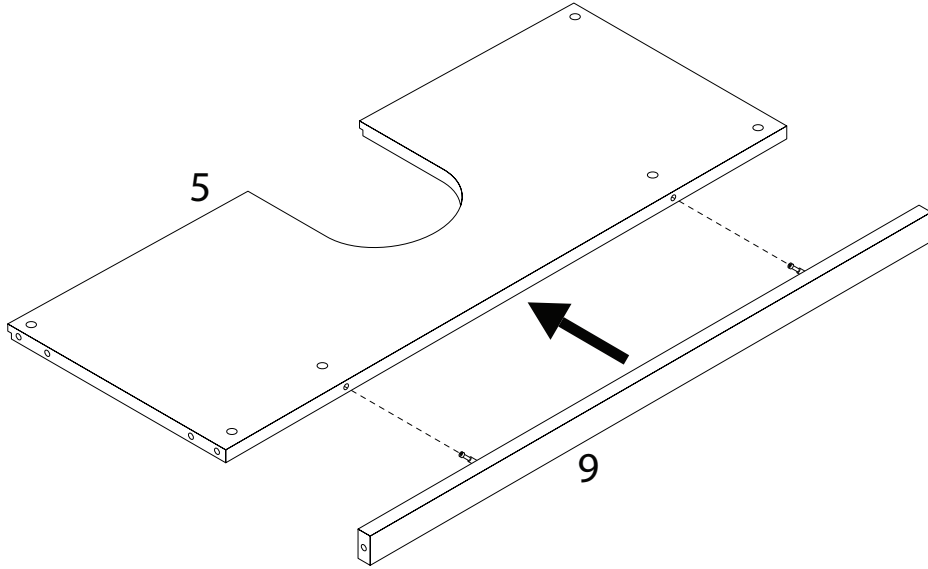
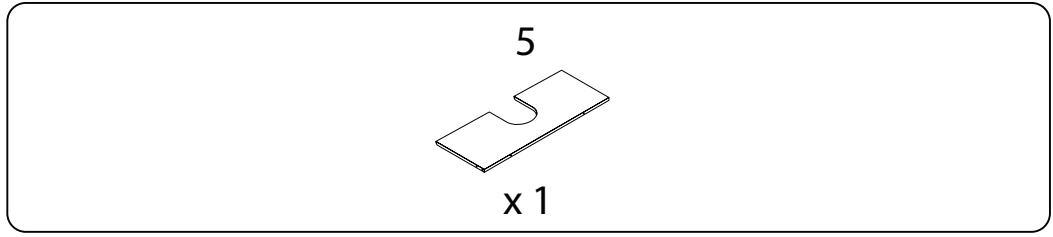
1



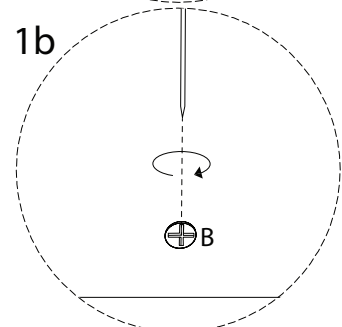
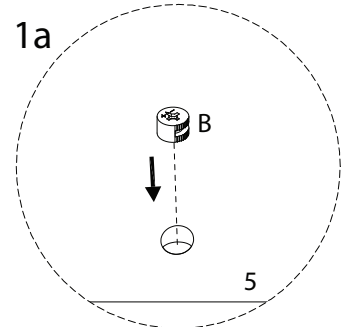
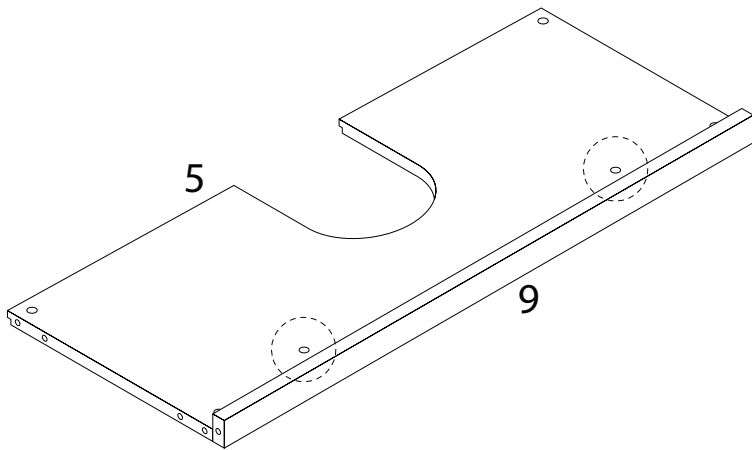
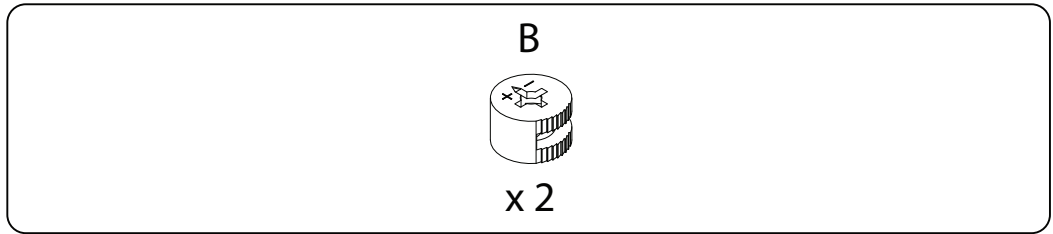
2



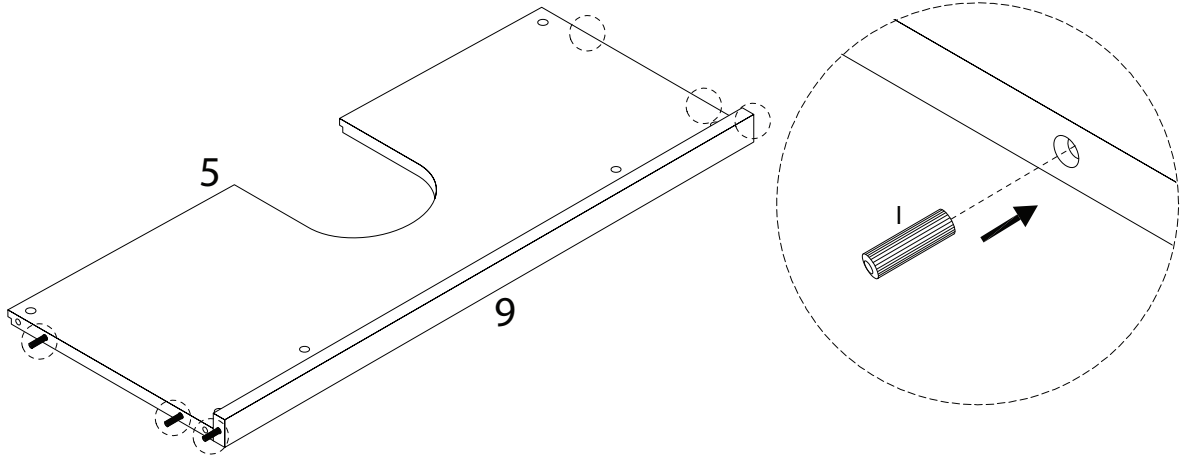
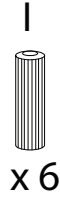
3



4



5



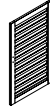
6

6



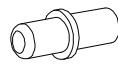
x1

7



x1

C



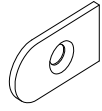
x4

E

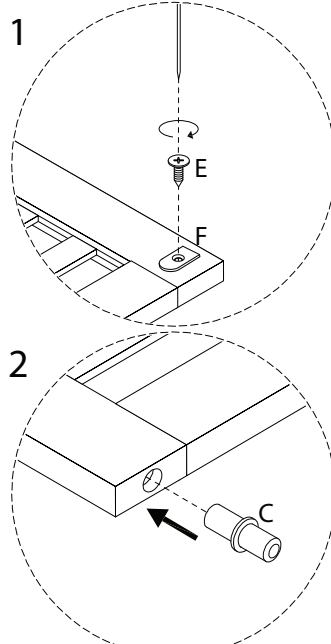
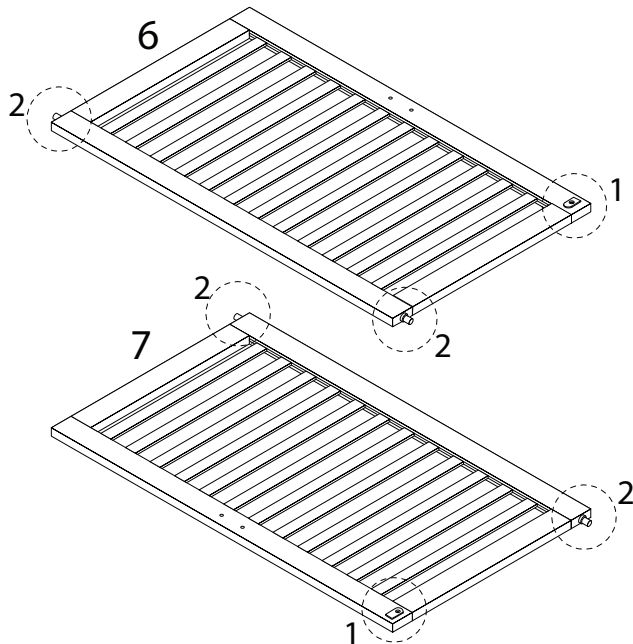


x2

F



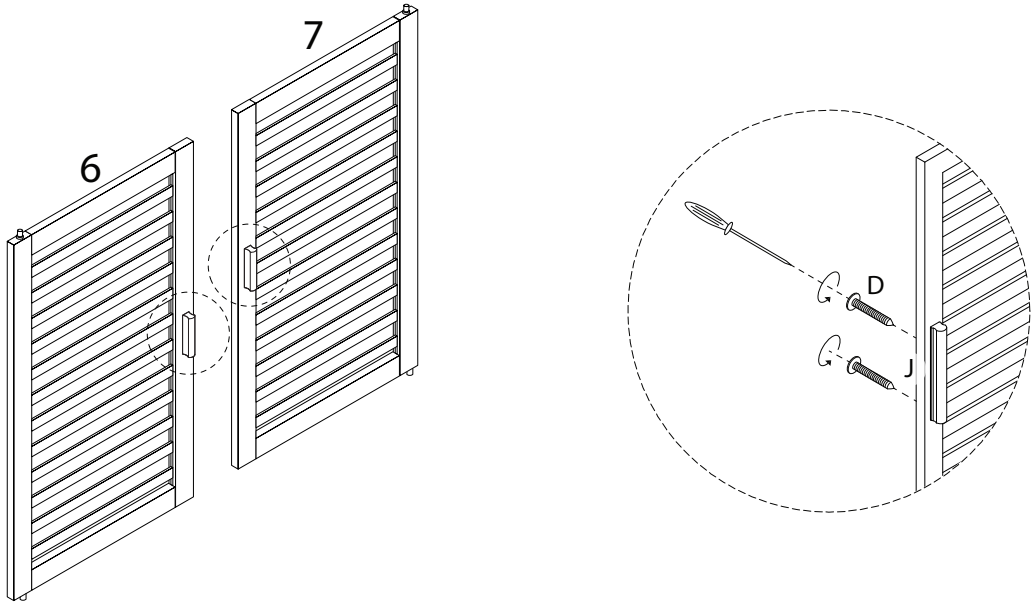
x2



7

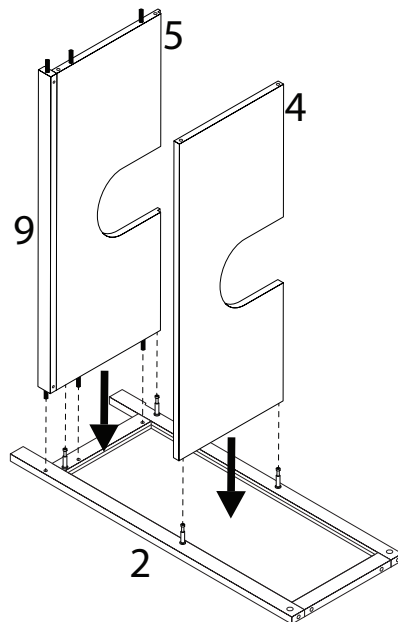
D
M4
x
25
x 4

J
x 2



8

4
x 1

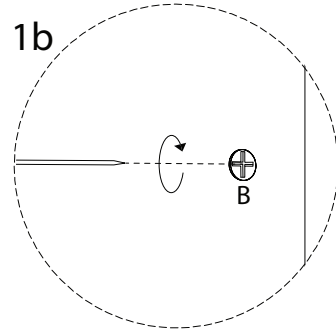
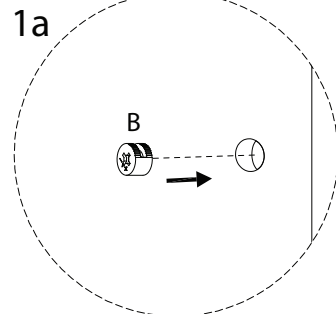
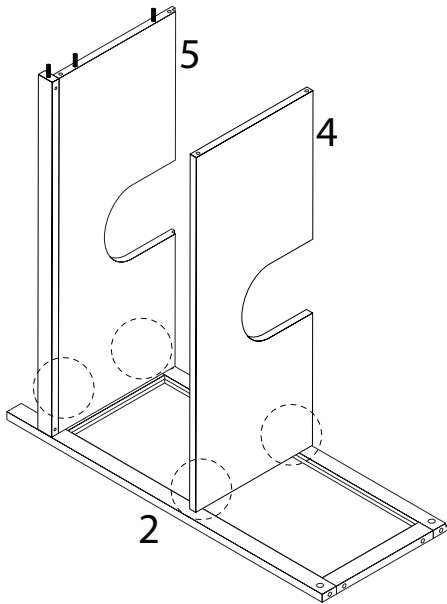


9

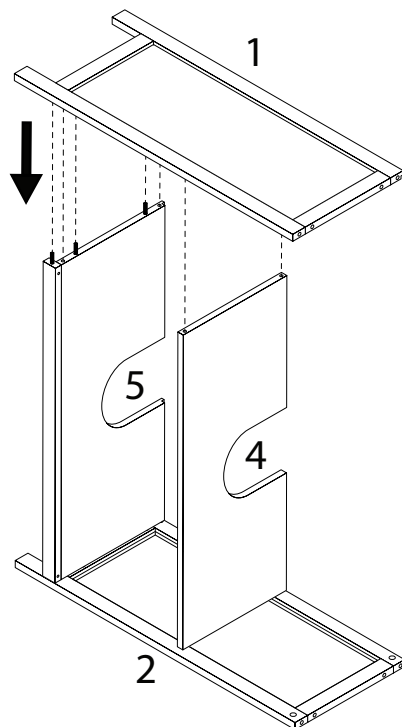
B



x 4



10

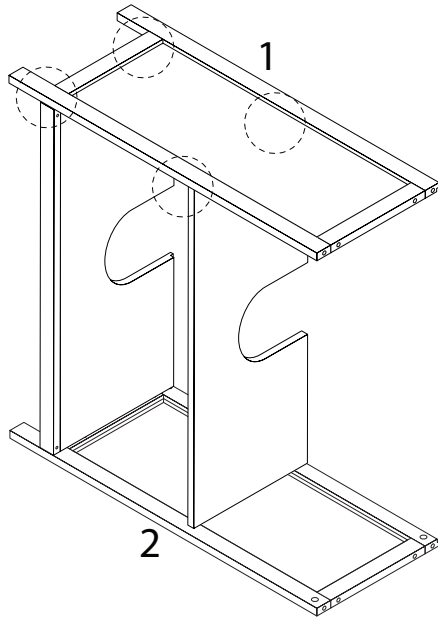


11

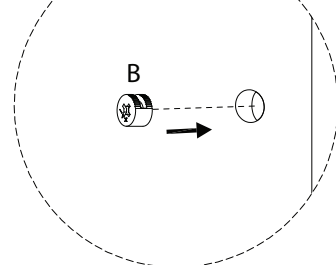
B



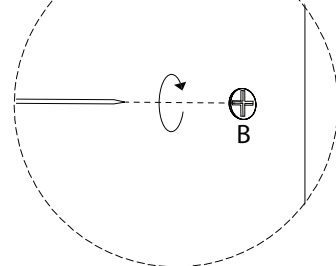
x 4



1a



1b

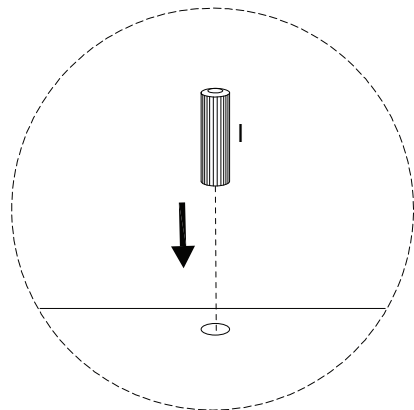
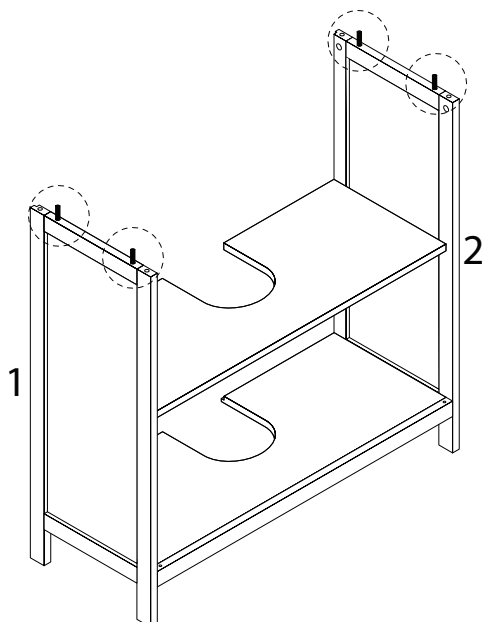


12

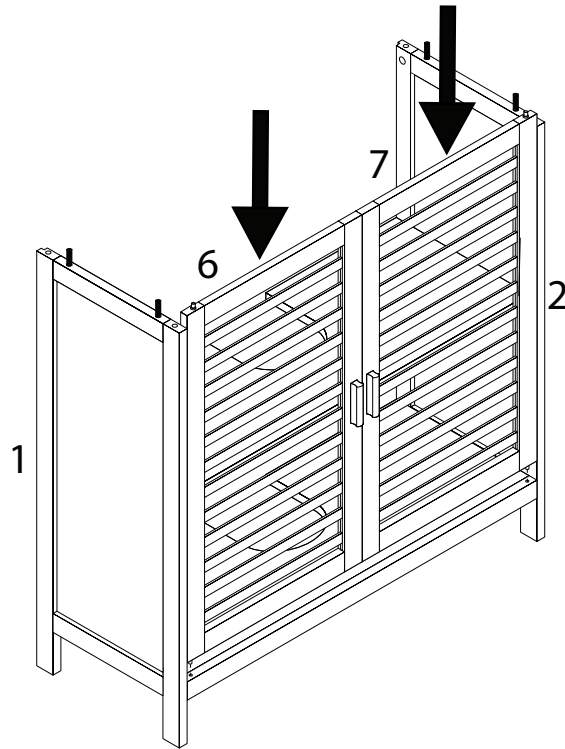
I



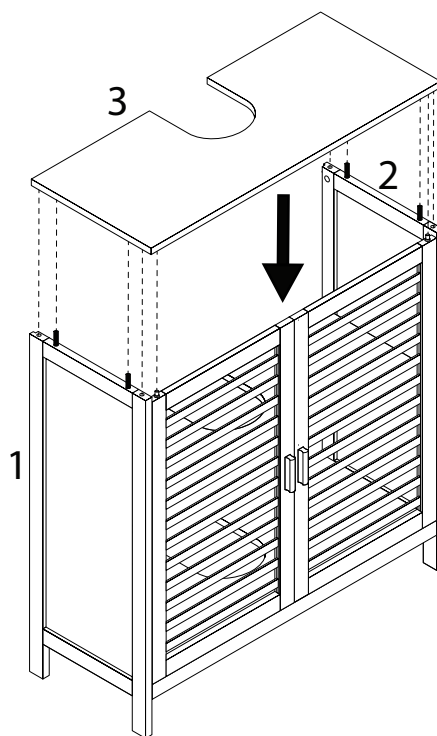
x 4



13



14

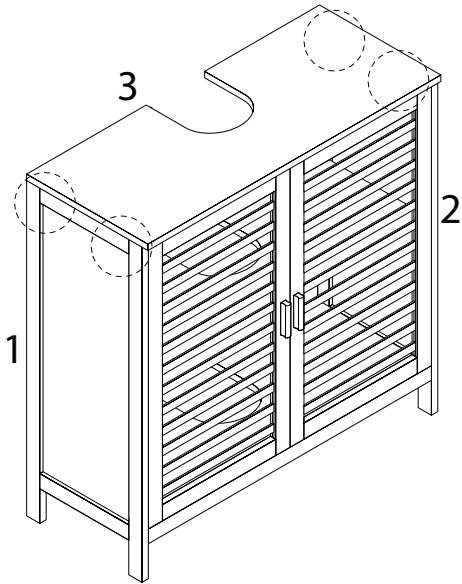


15

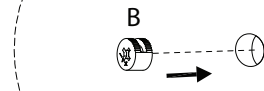
B



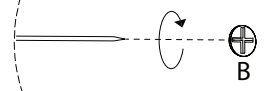
x 4



1a



1b



16

8



x 2

E



M3
x
12

x 12

