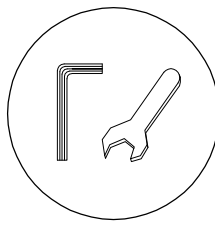
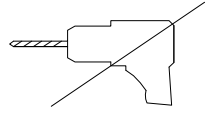
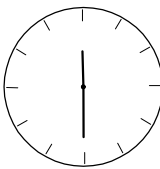
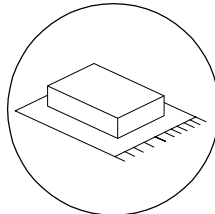
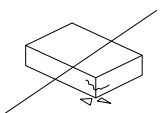

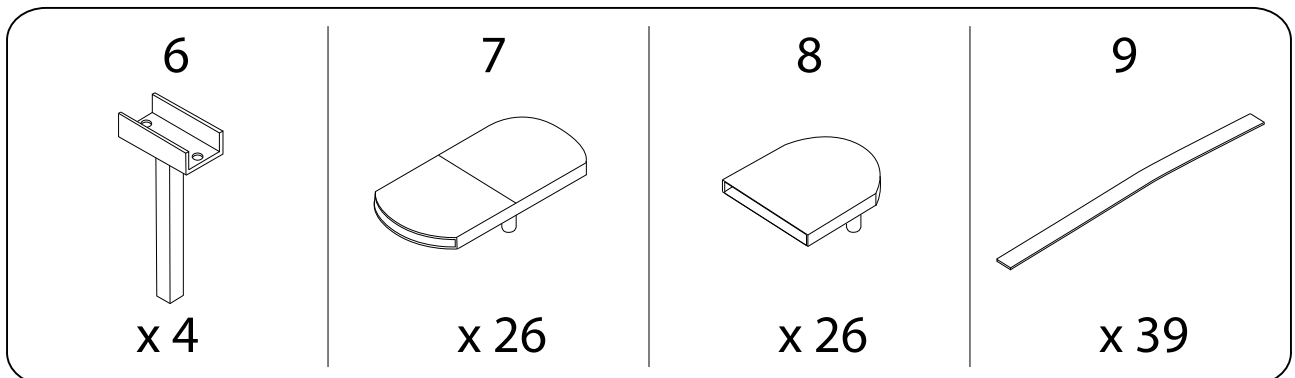
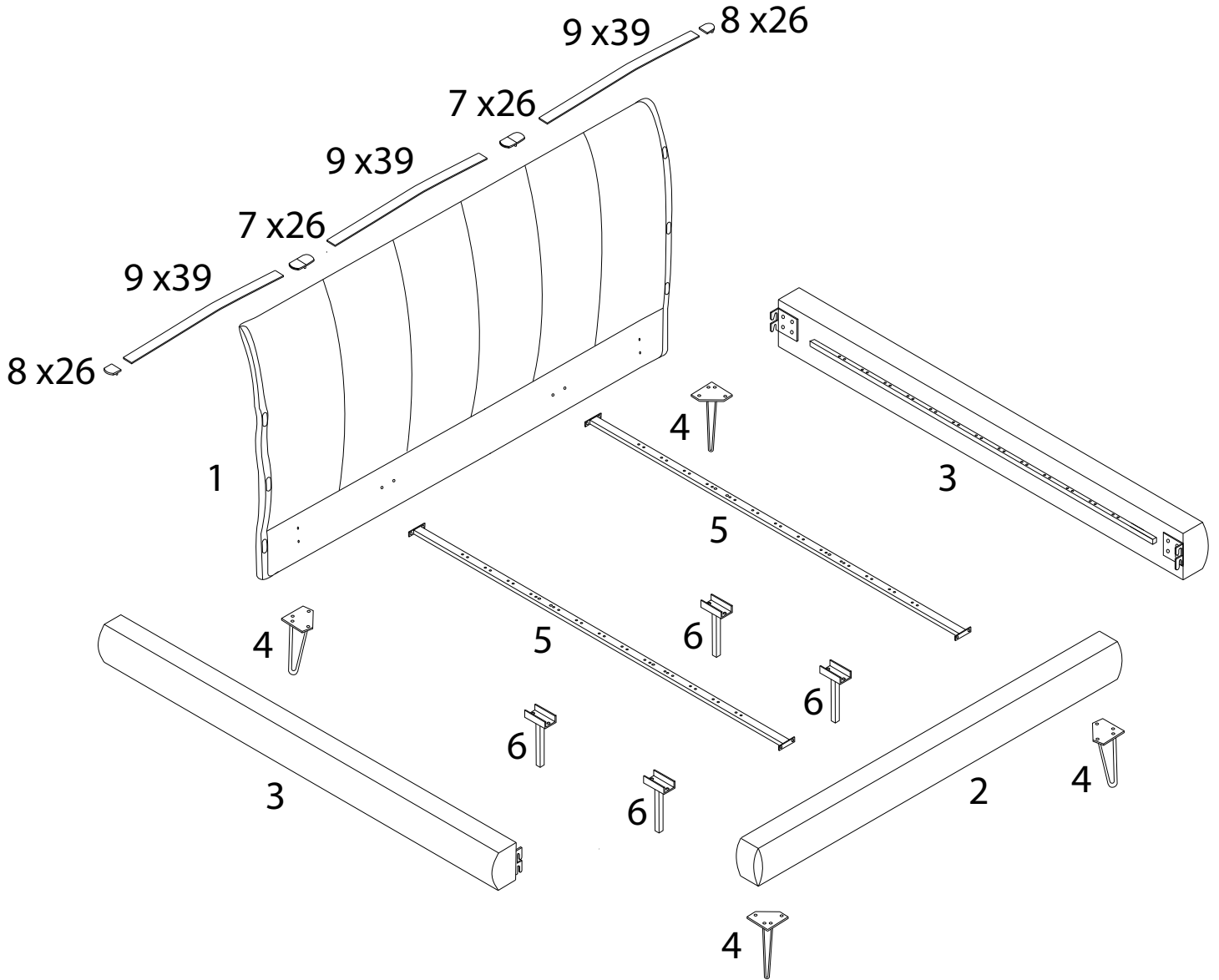
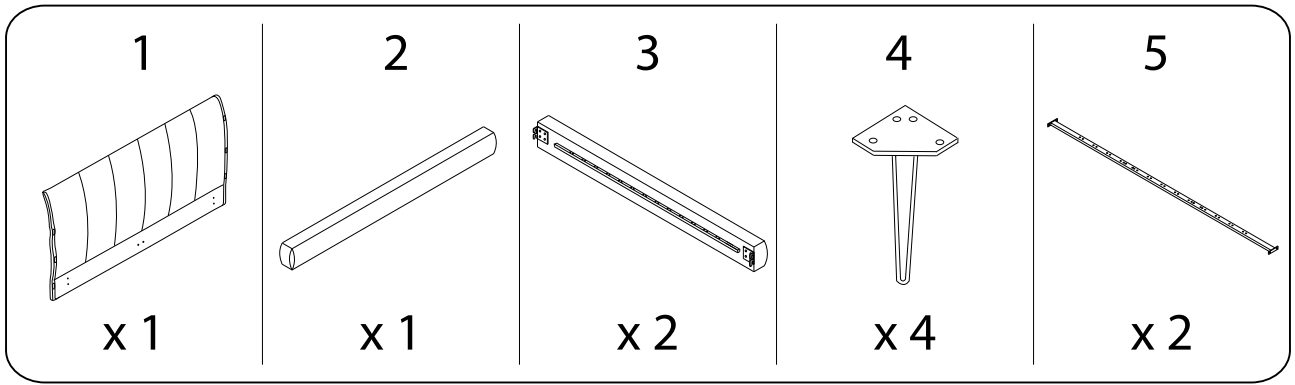
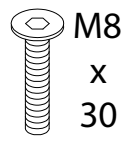


!   
30'

!   
2

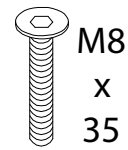


A



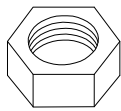
x 32

B



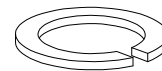
x 8

C



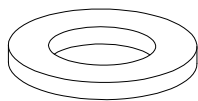
x 8

D



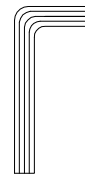
x 8

E



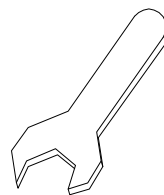
x 32

F



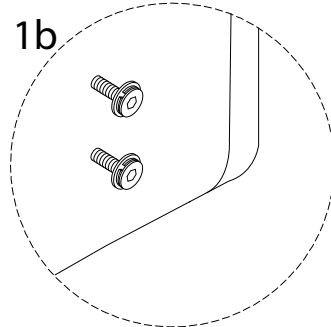
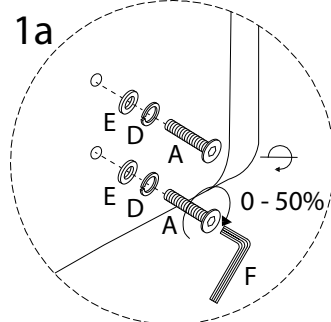
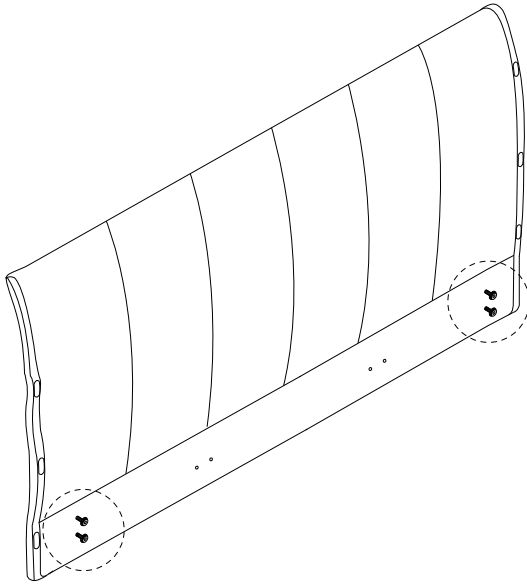
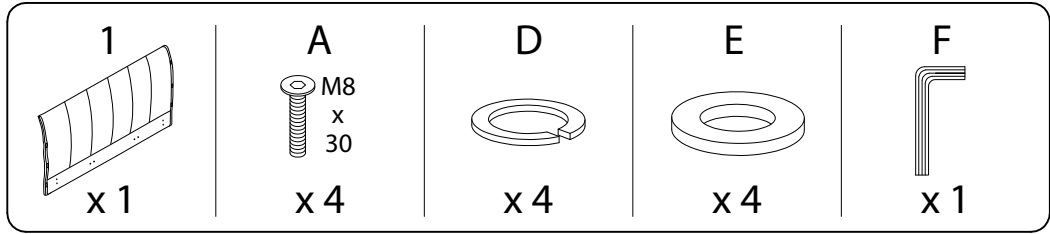
x 1

G

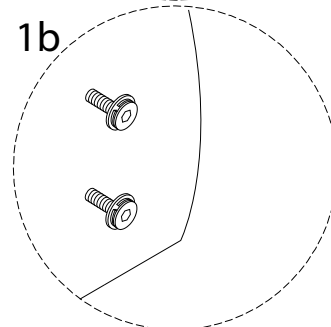
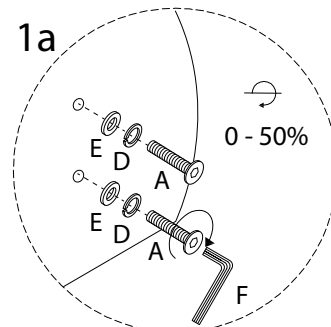
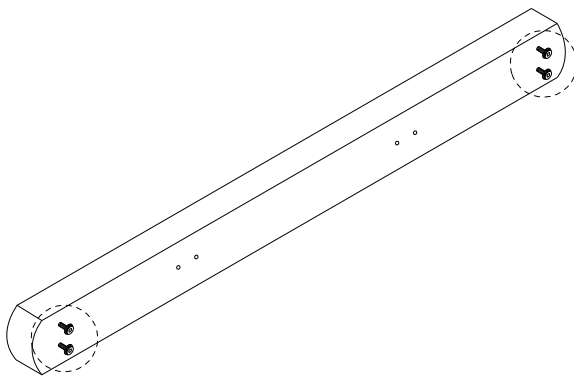
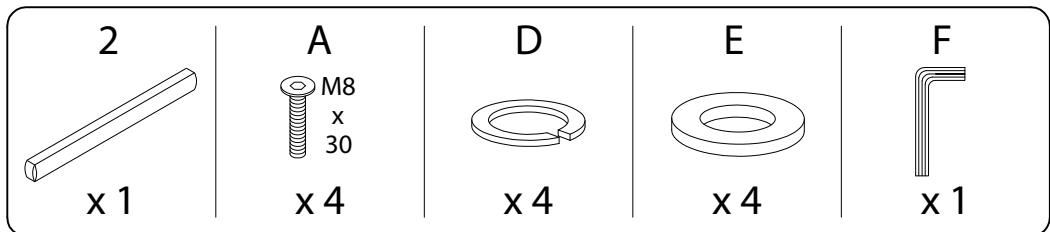


x 1

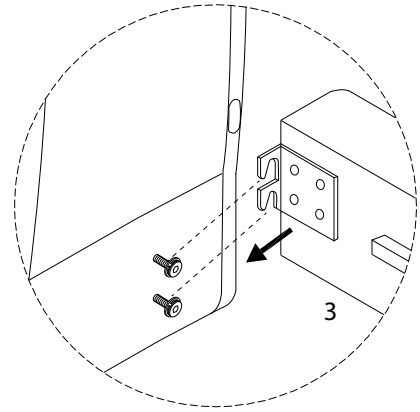
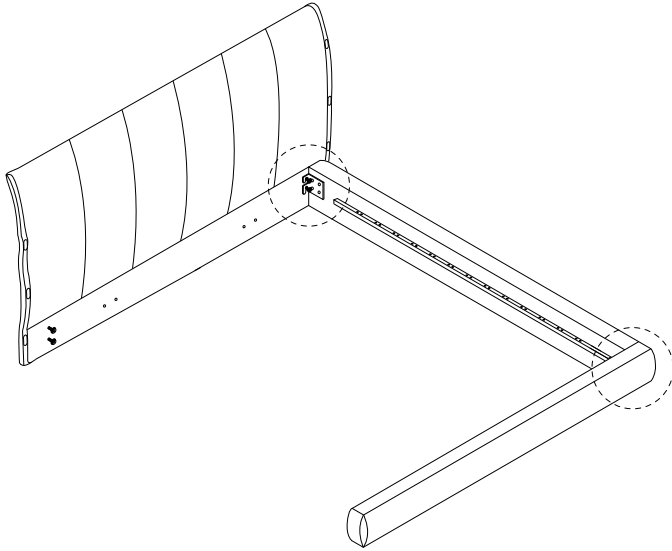
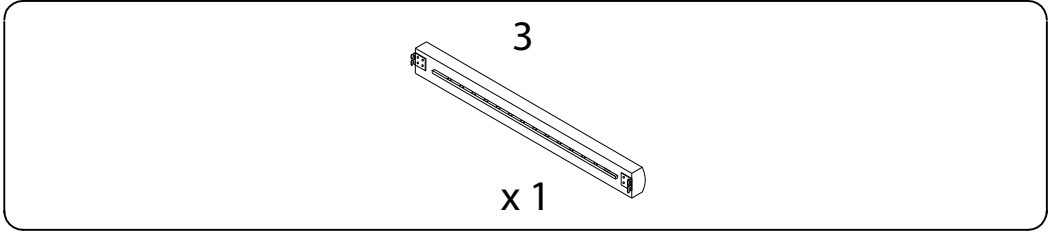
1



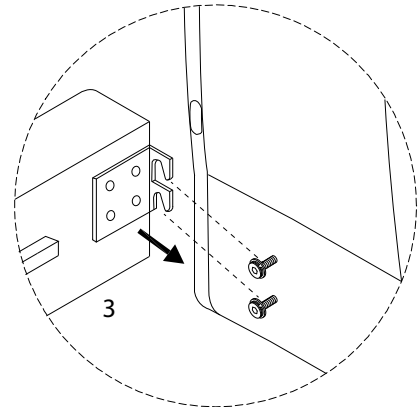
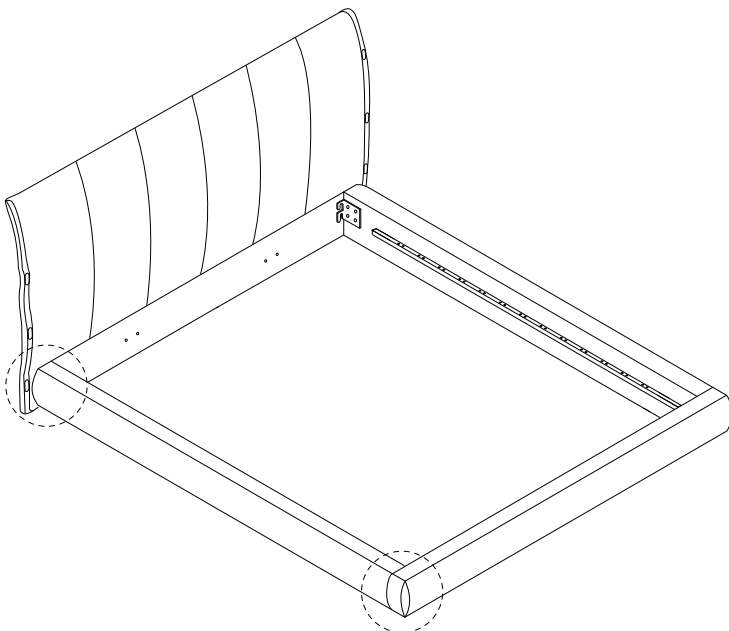
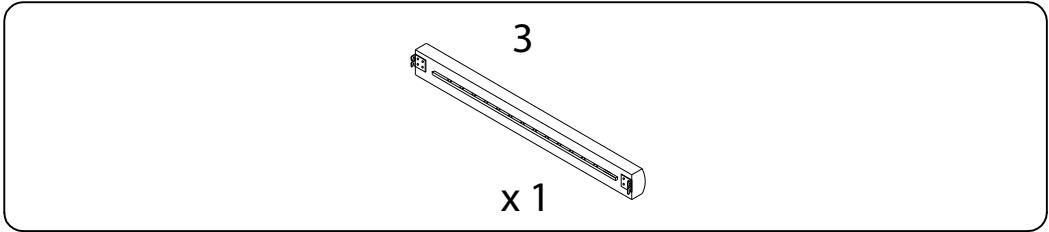
2



3



4



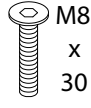
5

4



x 4

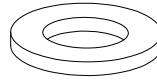
A



M8
x
30

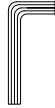
x 16

E

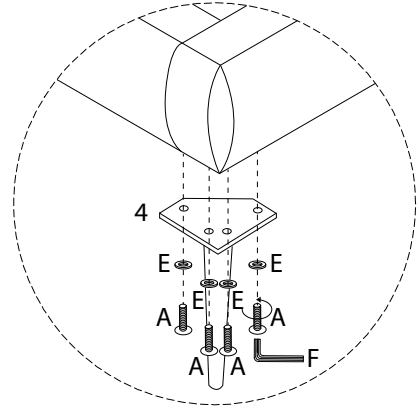
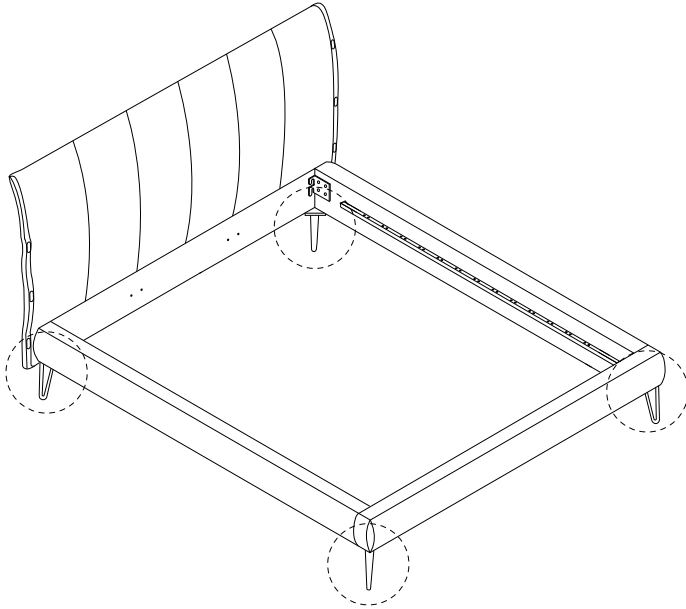


x 16

F



x 1



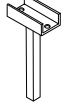
6 x 2

5



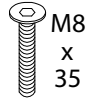
x 1

6



x 2

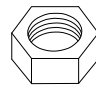
B



M8
x
35

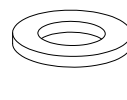
x 4

C



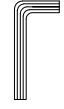
x 4

E



x 4

F

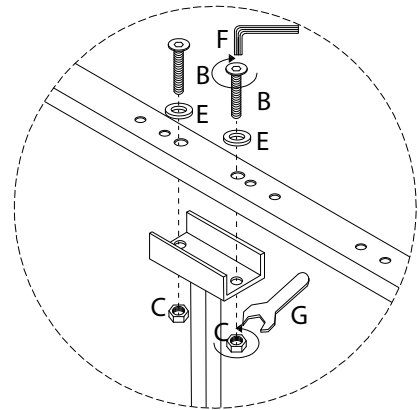
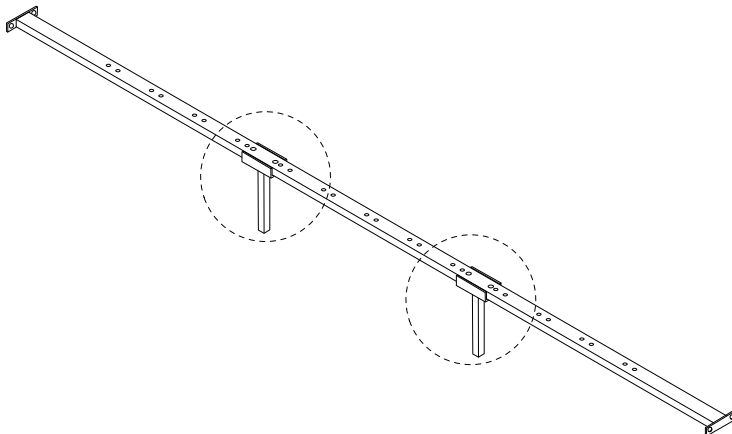


x 1

G



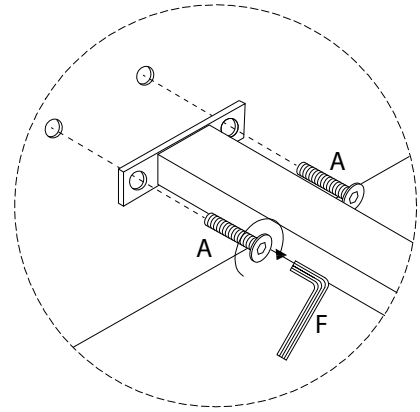
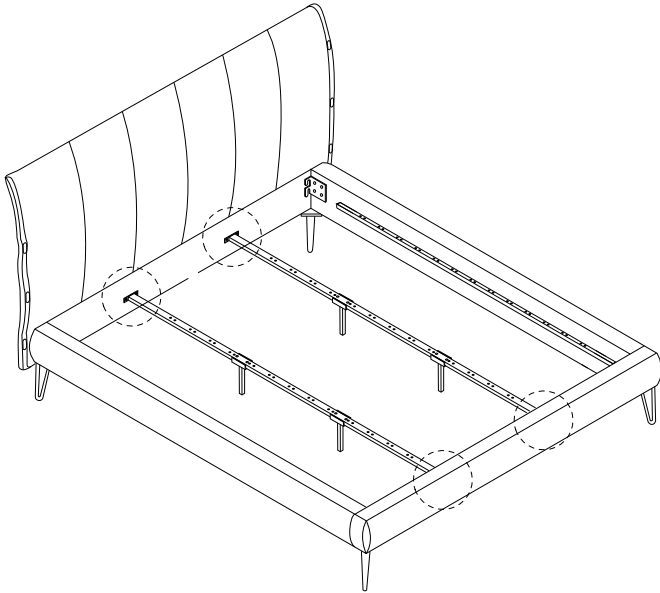
x 1



7

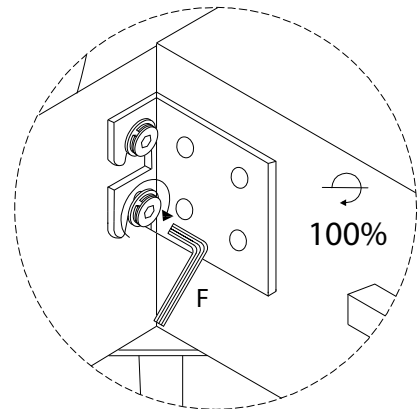
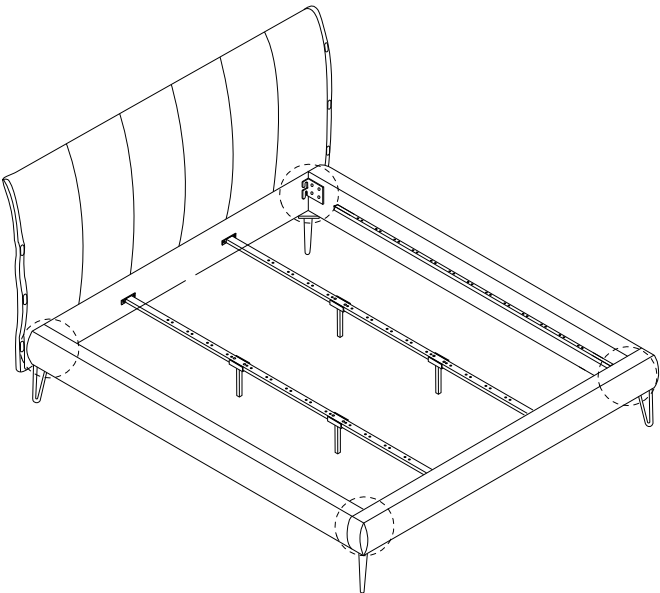
A
M8
x
30
x 8

F
x 1

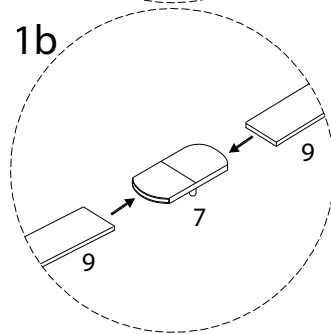
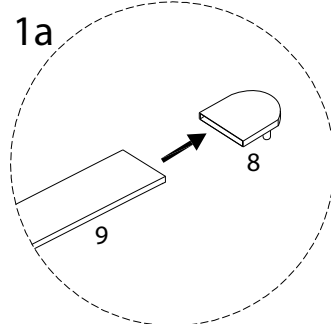
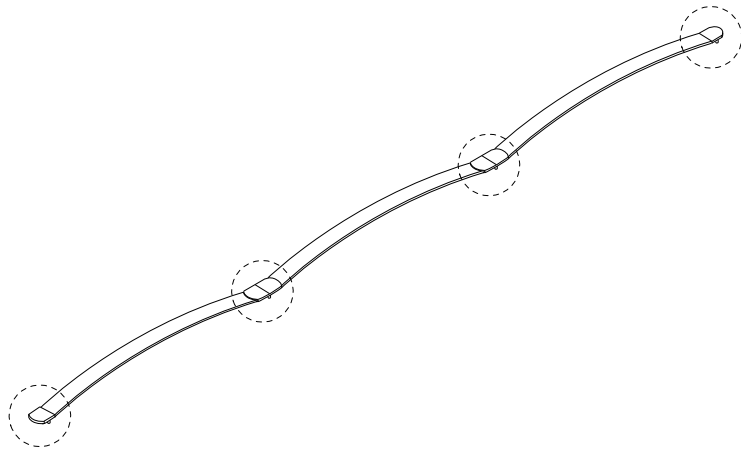
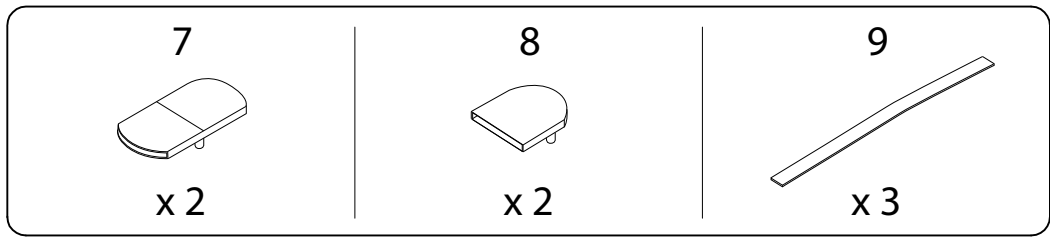


8

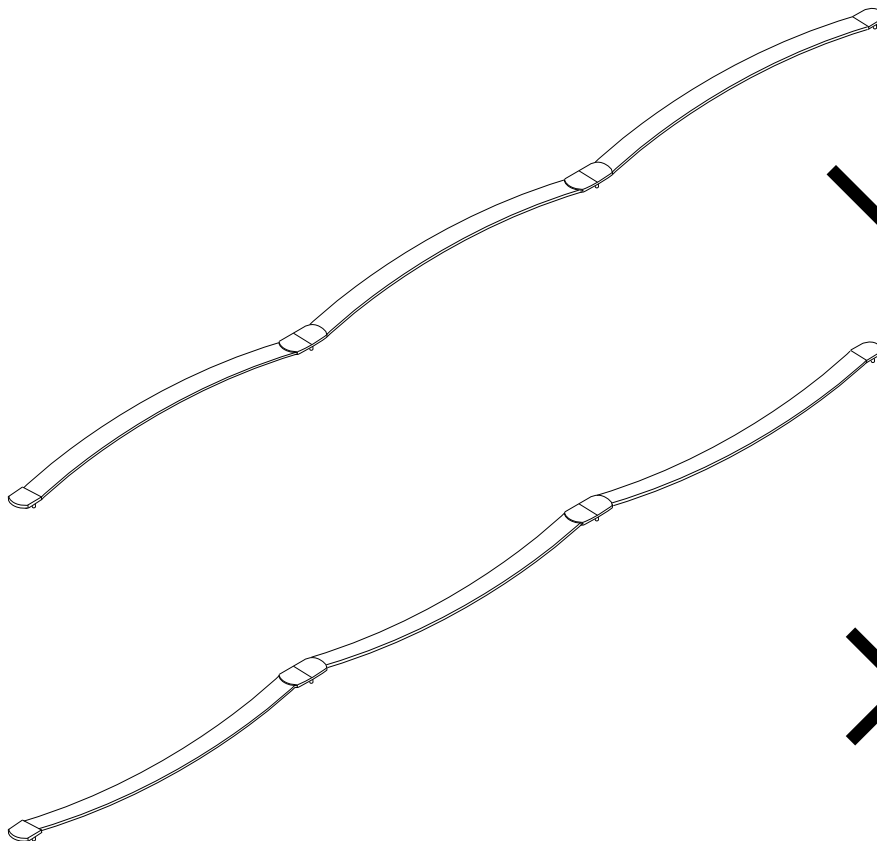
F
x 1



9 x13



!



10

