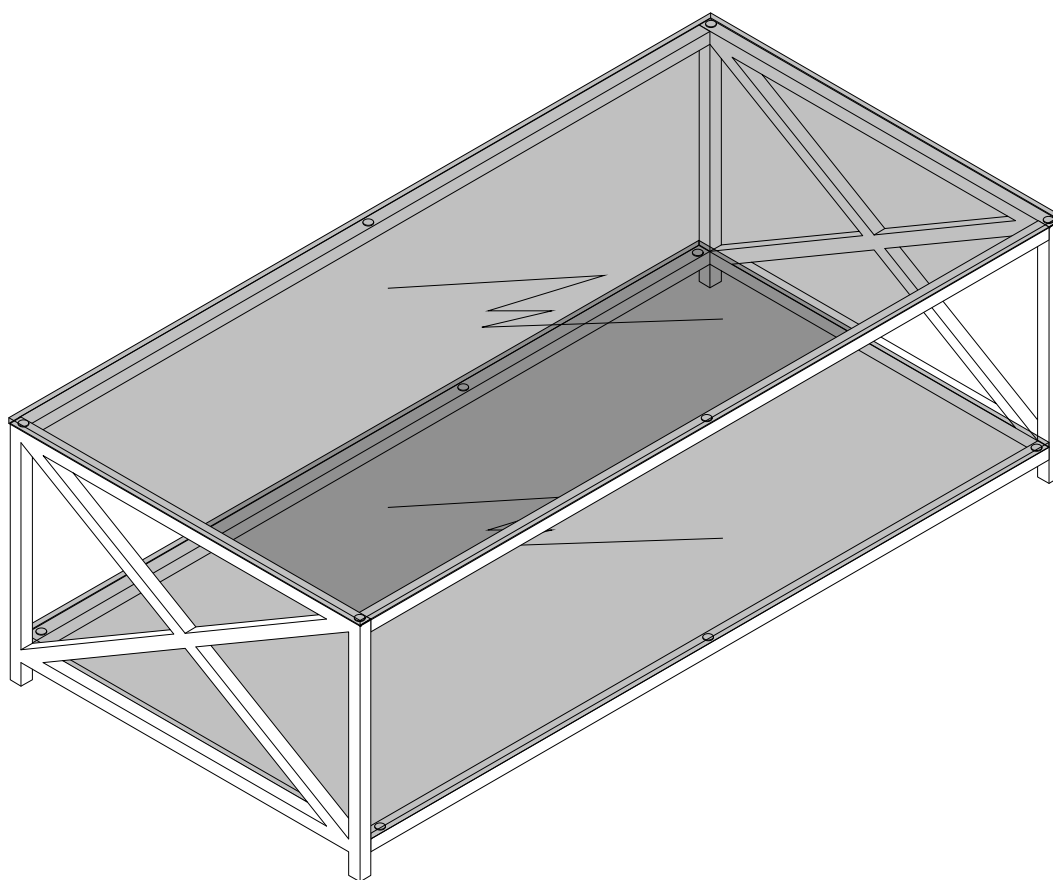


# AUDET



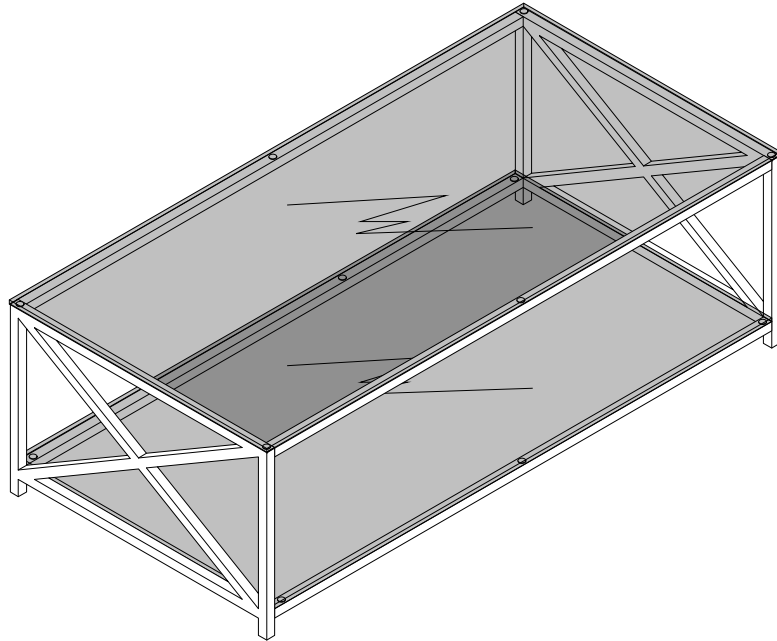
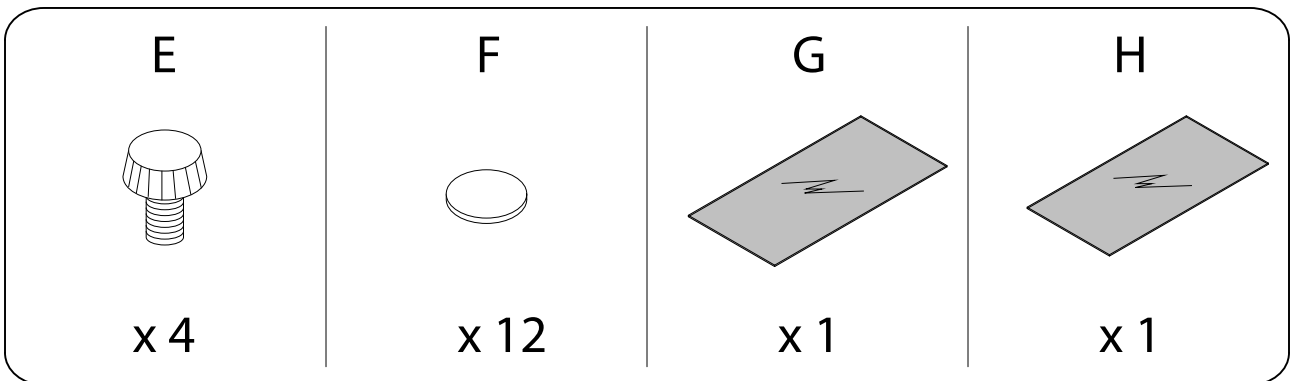
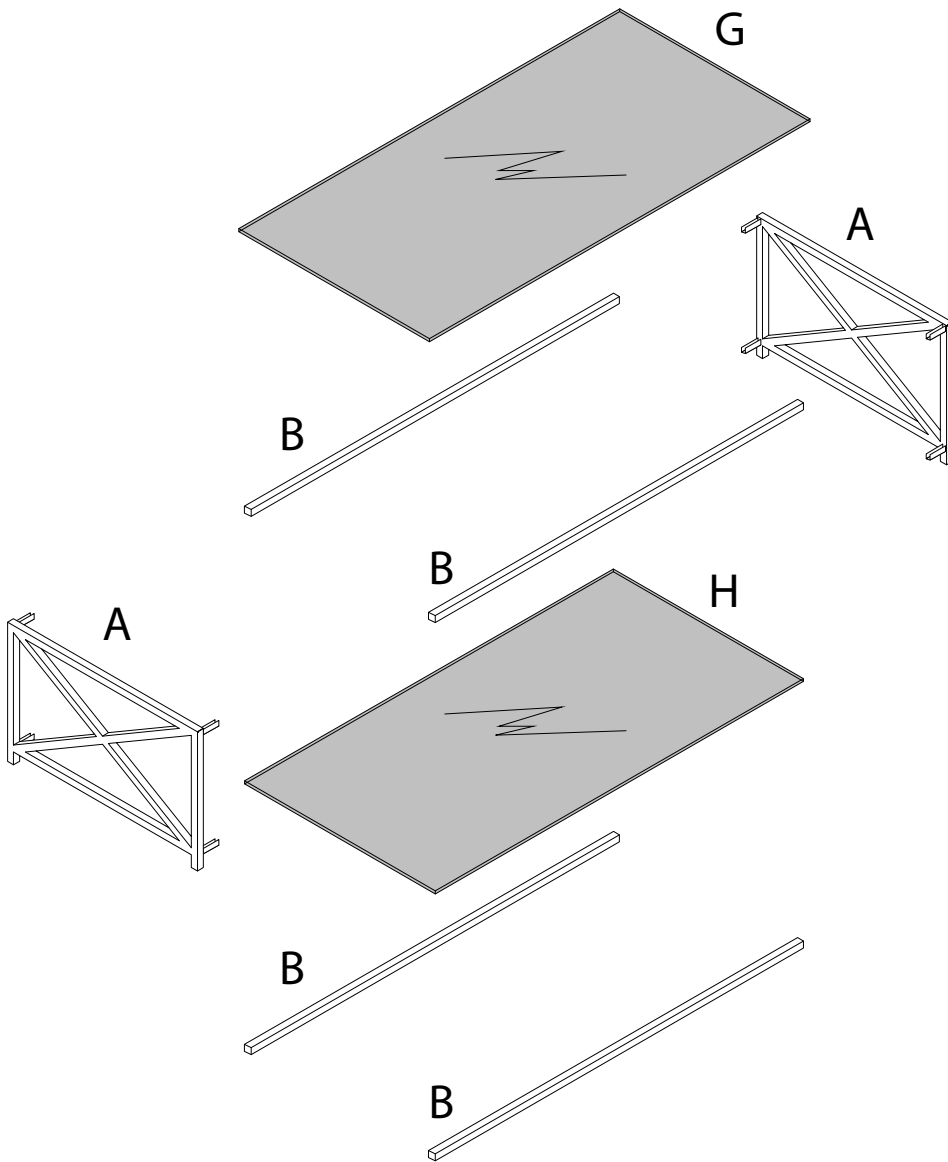
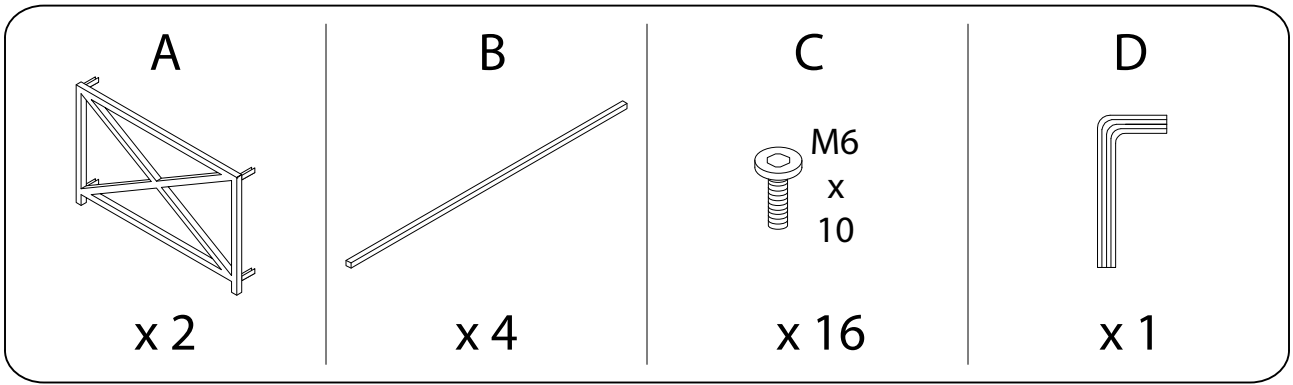
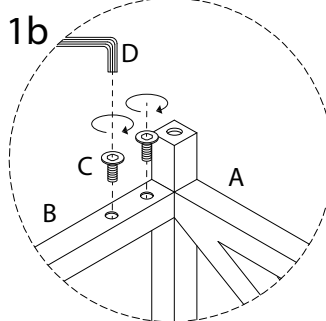
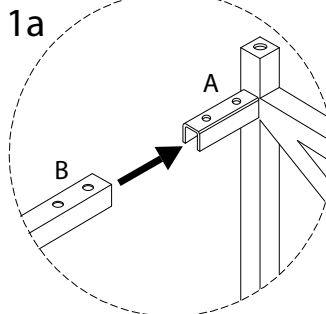
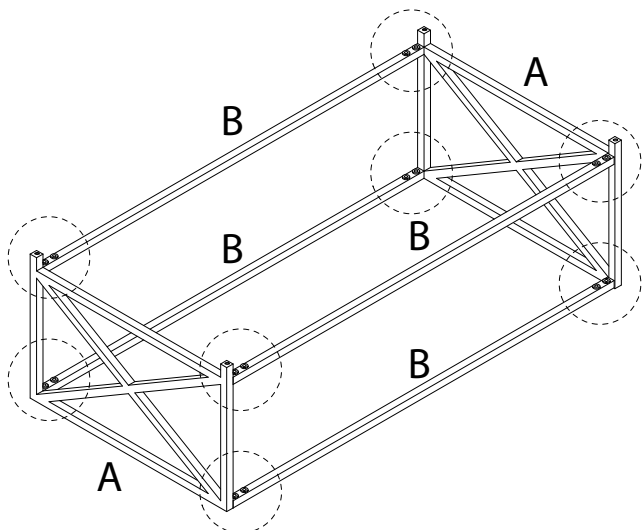
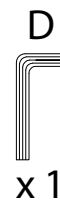
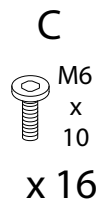
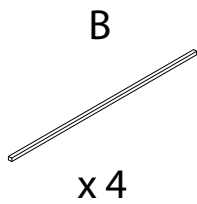
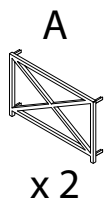


Diagram illustrating assembly steps and safety warnings:

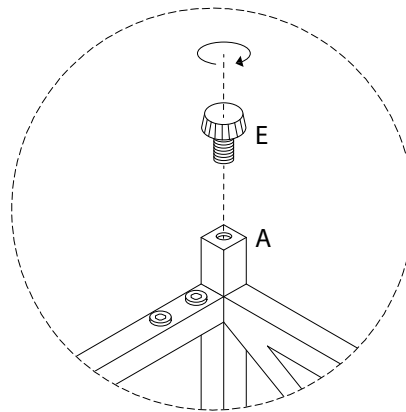
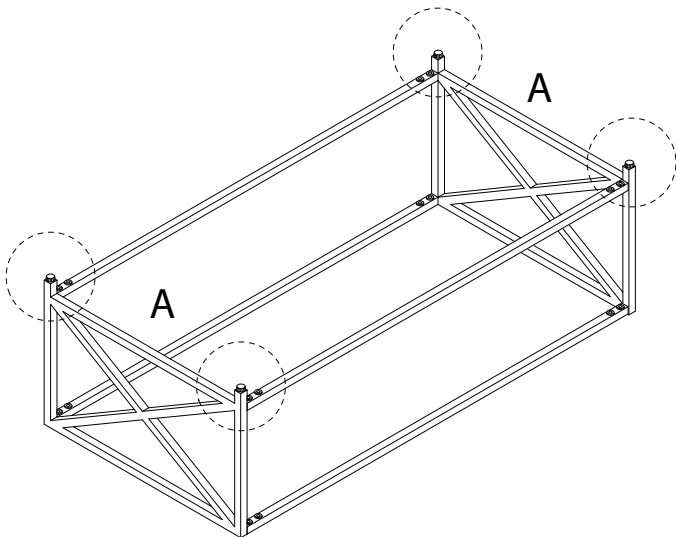
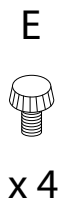
- Step 1:** Shows an L-shaped metal corner bracket being attached to a frame part. A power drill is shown with a diagonal line through it, indicating that a power drill should not be used for this step. A warning triangle with an exclamation mark is present.
- Step 2:** Shows a rectangular mesh panel being attached to the frame. A power drill is shown with a diagonal line through it, indicating that a power drill should not be used. A warning triangle with an exclamation mark is present.
- Time:** A clock icon indicates a 20-minute assembly time.
- Personnel:** An icon of a person indicates that 2 people are required for assembly.



1



2

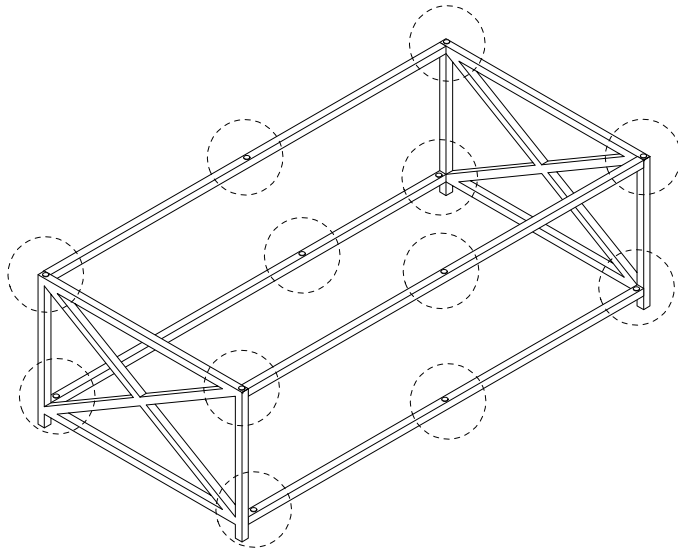


3

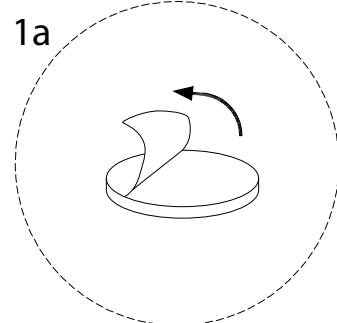
F



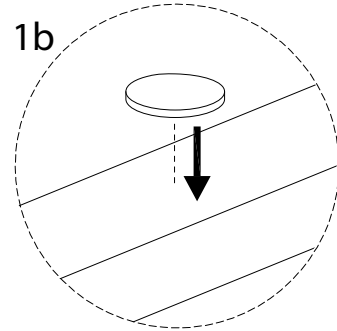
x 12



1a

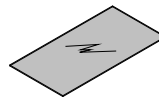


1b

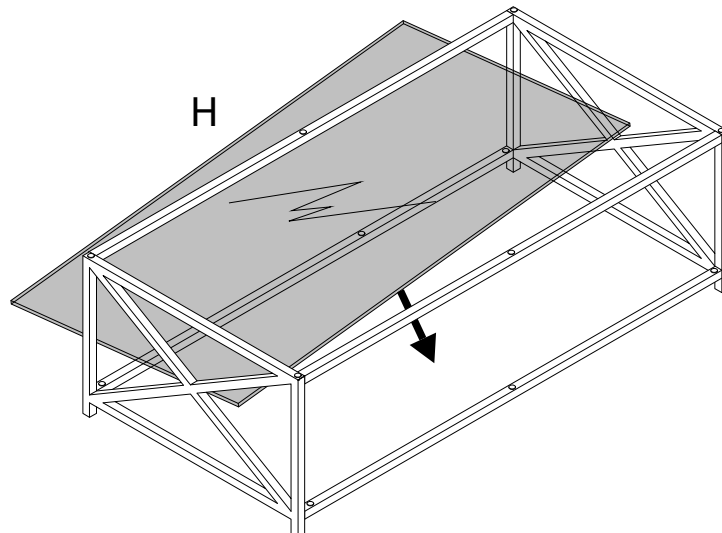


4

H



x 1



5

