
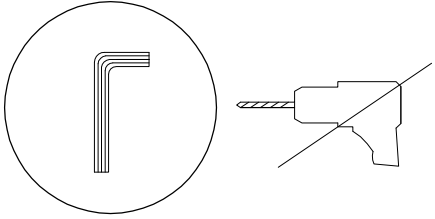
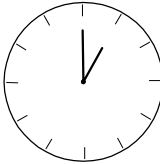

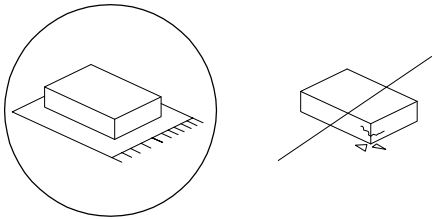
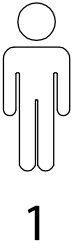
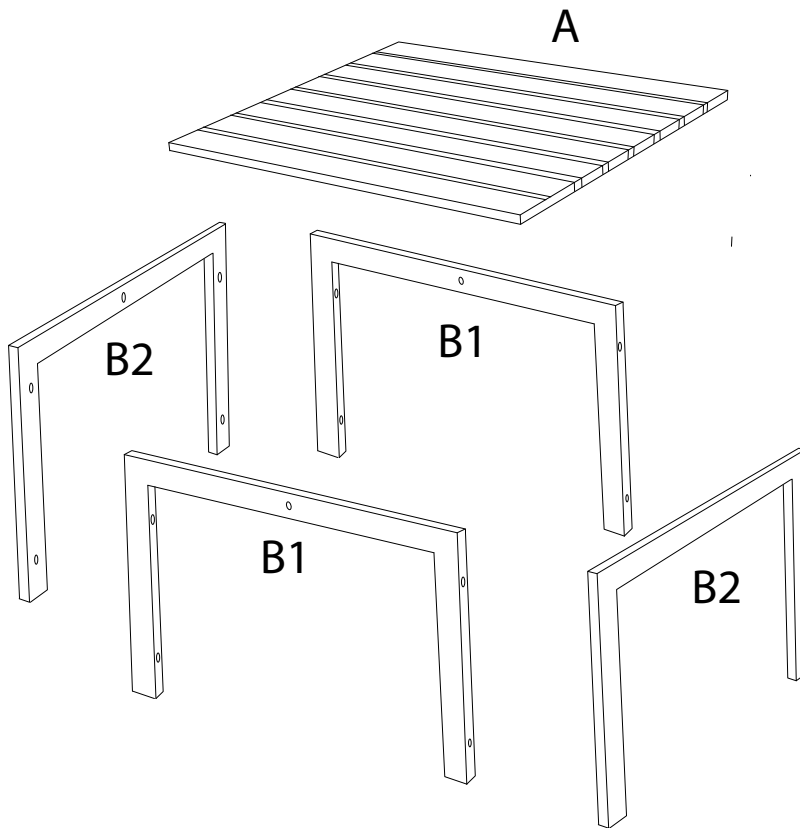
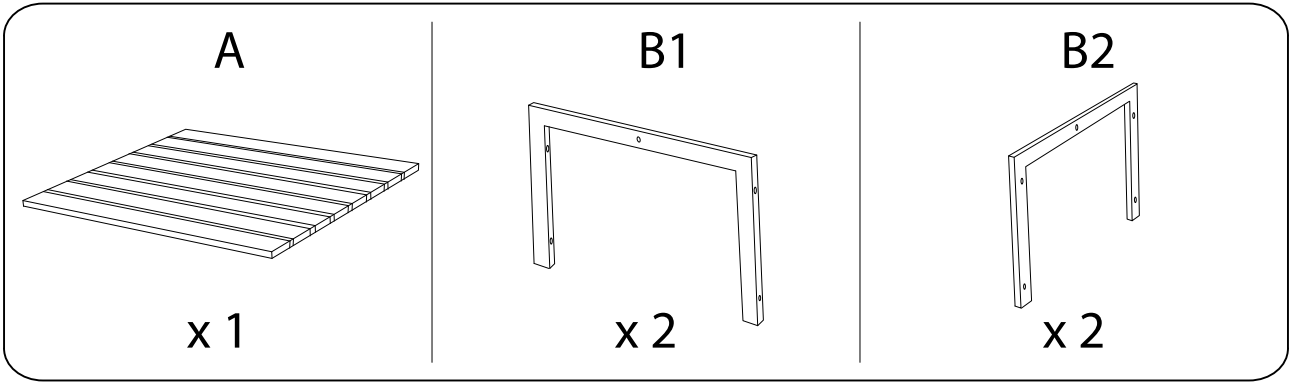


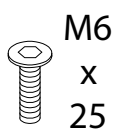
Warning icons and assembly instructions:

- 
- 
- 
- 
- 
- 

A

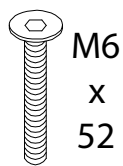


C



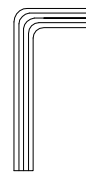
x 4

D



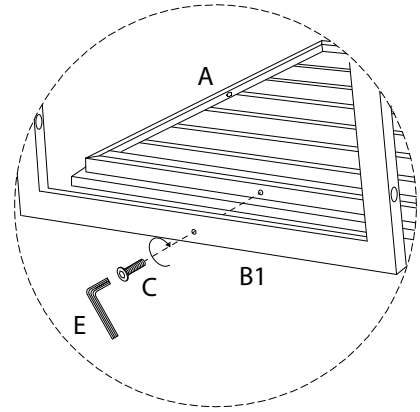
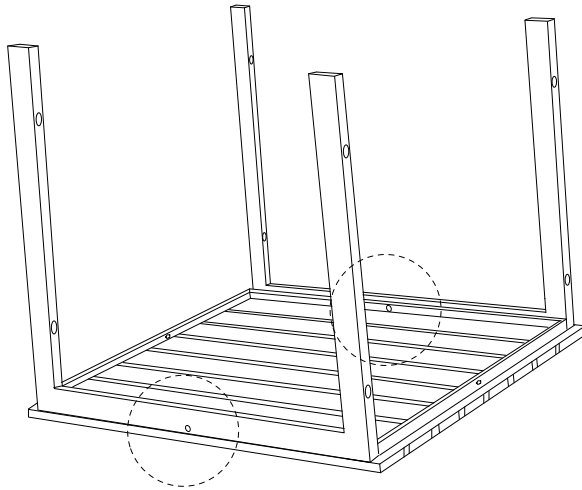
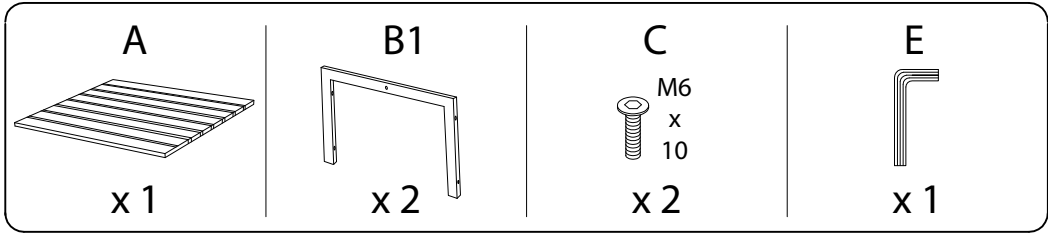
x 8

E

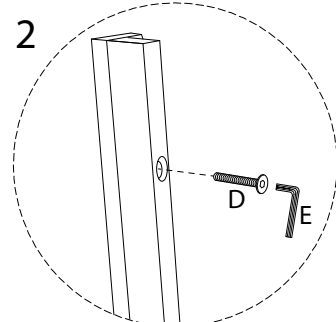
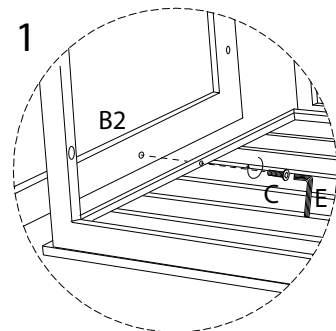
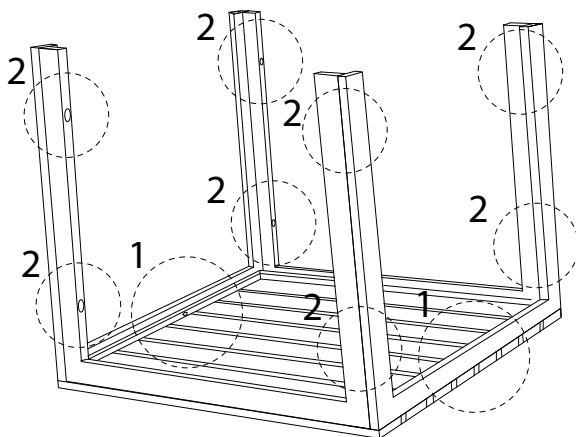
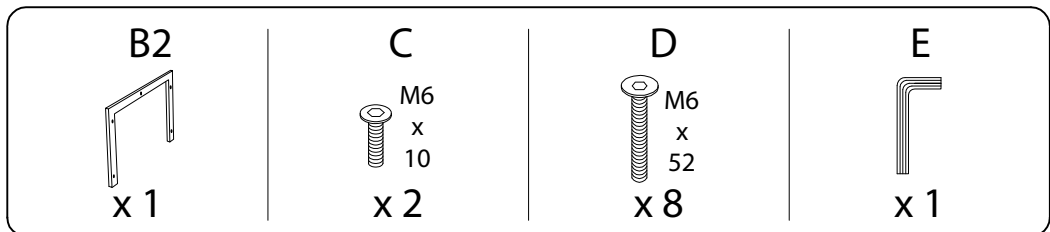


x 1

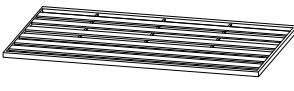
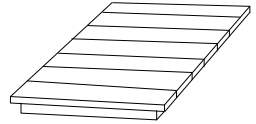
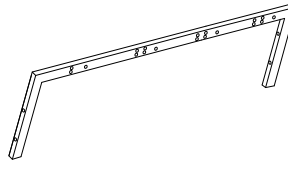
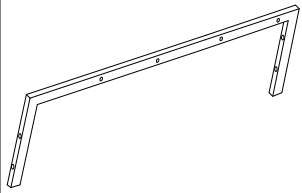
1

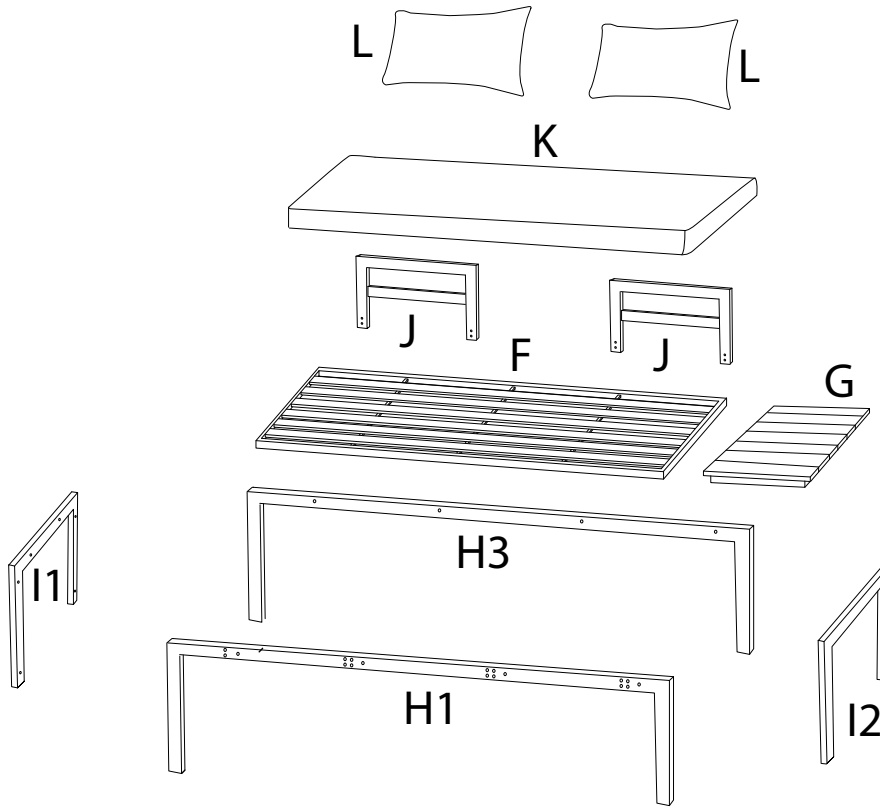


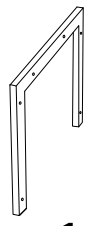
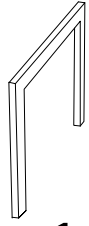
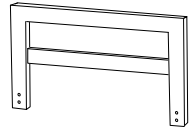

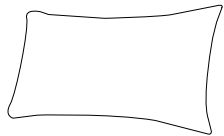
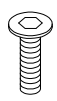
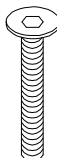
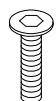
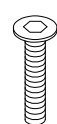
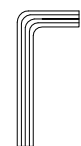
2



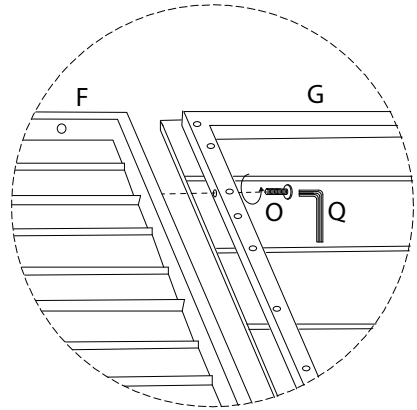
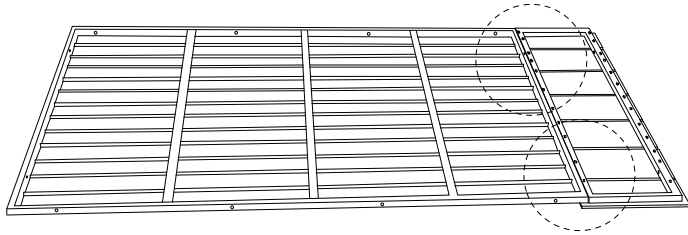
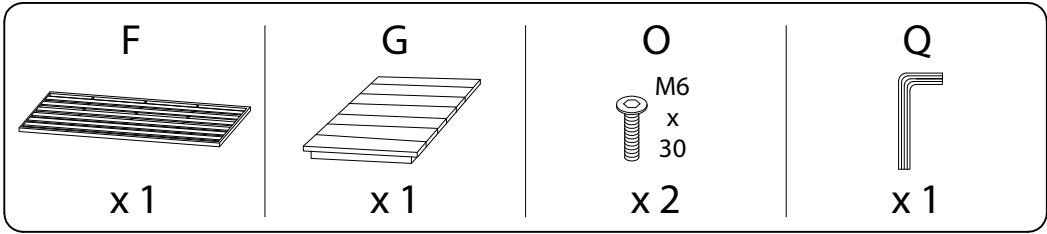
B

<p>F</p>  <p>x 1</p>	<p>G</p>  <p>x 1</p>	<p>H1</p>  <p>x 1</p>	<p>H3</p>  <p>x 1</p>
---	---	---	--

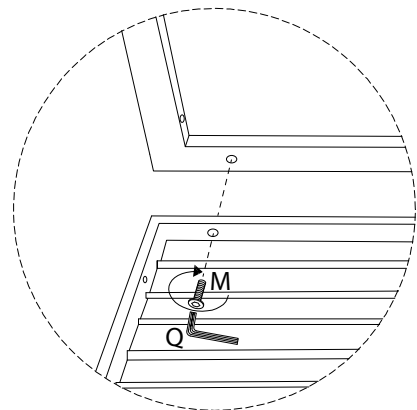
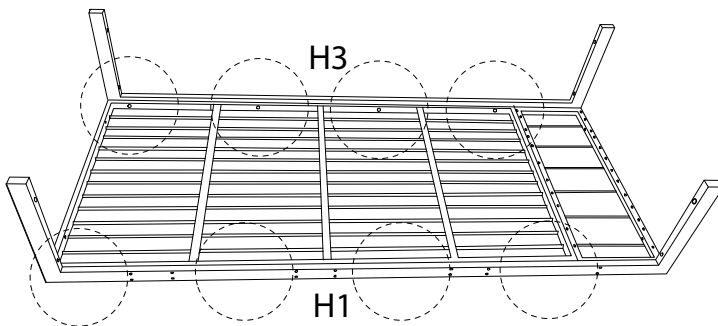
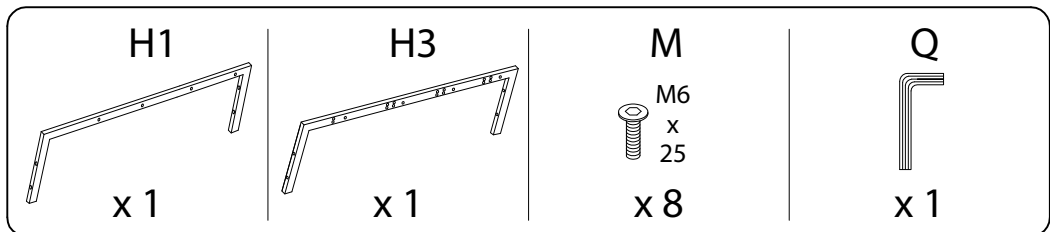


<p>I1</p>  <p>x 1</p>	<p>I2</p>  <p>x 1</p>	<p>J</p>  <p>x 2</p>	<p>K</p>  <p>x 1</p>	<p>L</p>  <p>x 2</p>
<p>M</p>  <p>M6 x 25</p> <p>x 10</p>	<p>N</p>  <p>M6 x 52</p> <p>x 8</p>	<p>O</p>  <p>M6 x 30</p> <p>x 2</p>	<p>P</p>  <p>M6 x 35</p> <p>x 8</p>	<p>Q</p>  <p>x 1</p>

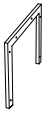
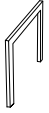


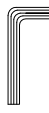
1

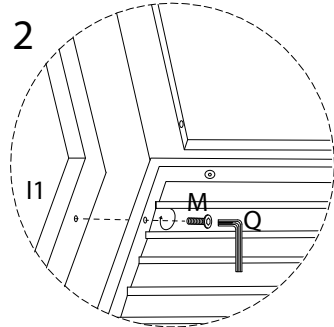
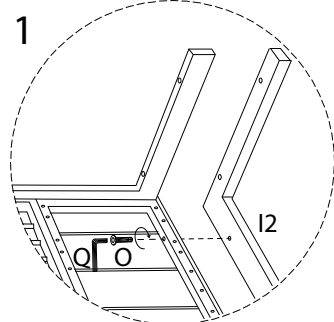
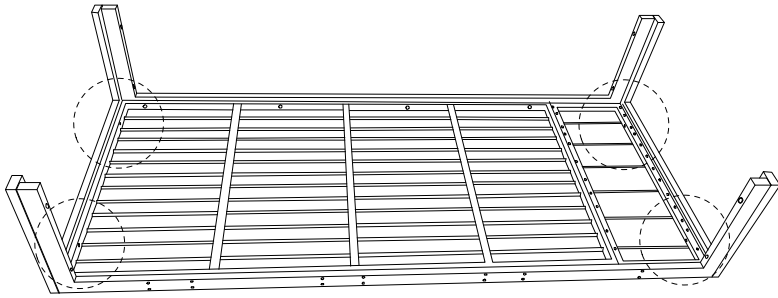


2

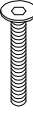
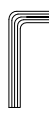


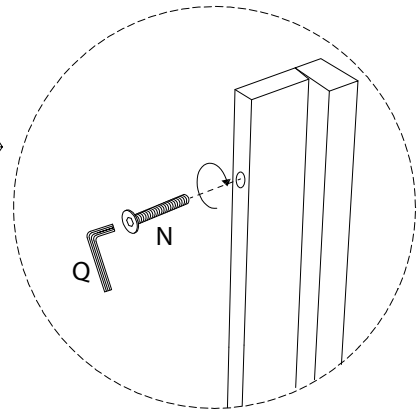
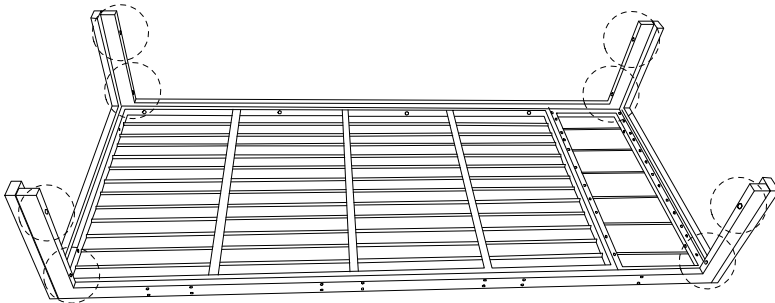
3

<p>I1</p>  <p>x 1</p>	<p>I2</p>  <p>x 1</p>	<p>M</p>  <p>M6 x 25</p> <p>x 2</p>	<p>O</p>  <p>M6 x 30</p> <p>x 2</p>	<p>Q</p>  <p>x 1</p>
--	--	--	--	---

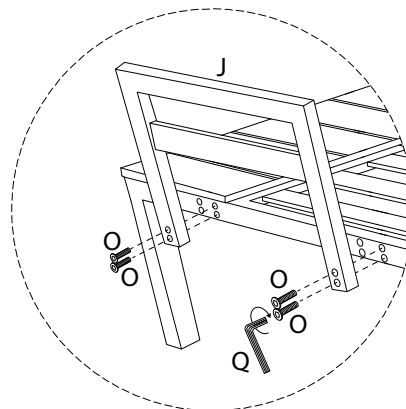
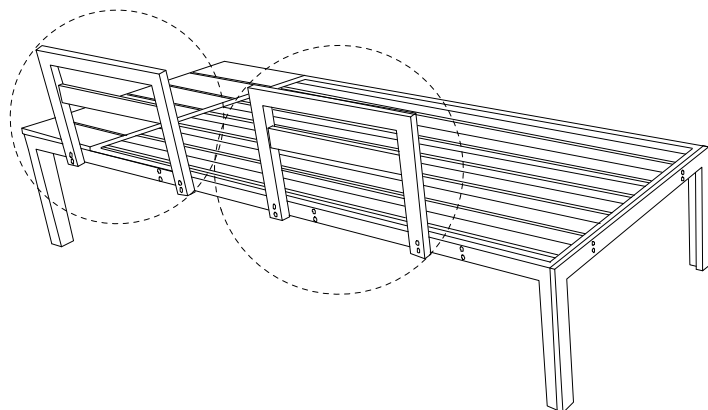
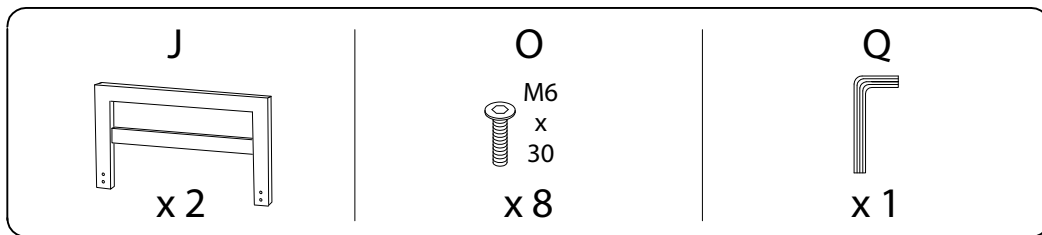


4

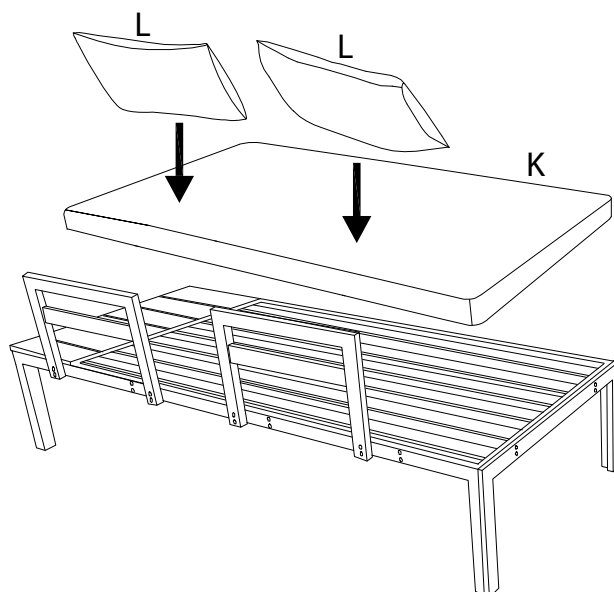
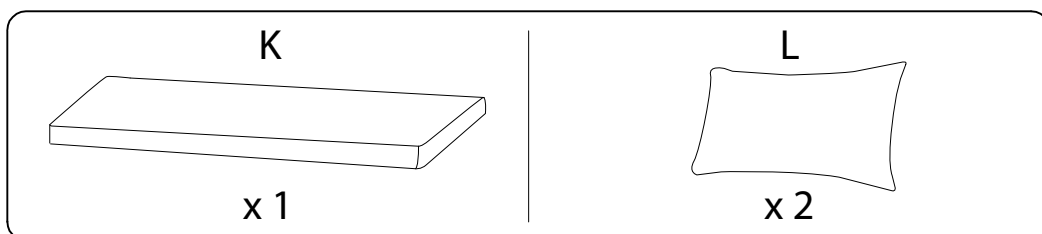
<p>N</p>  <p>M6 x 52</p> <p>x 8</p>	<p>Q</p>  <p>x 1</p>
--	---



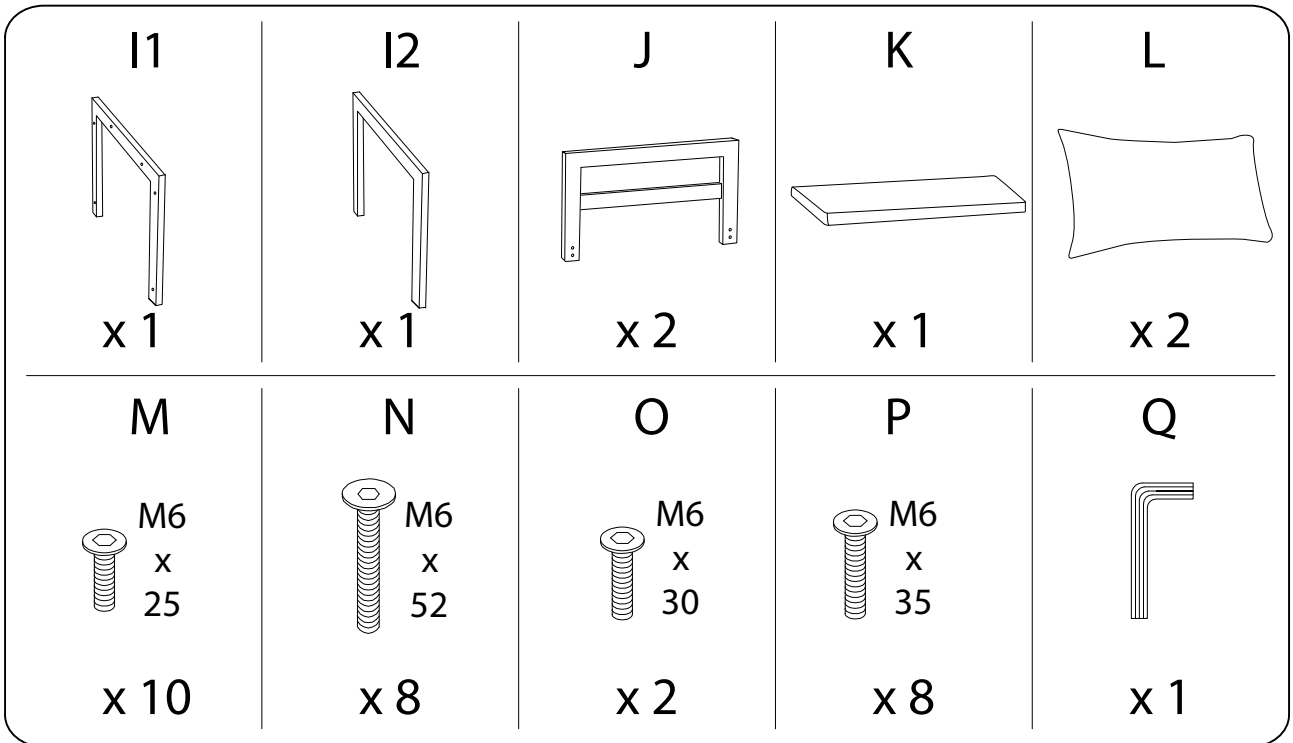
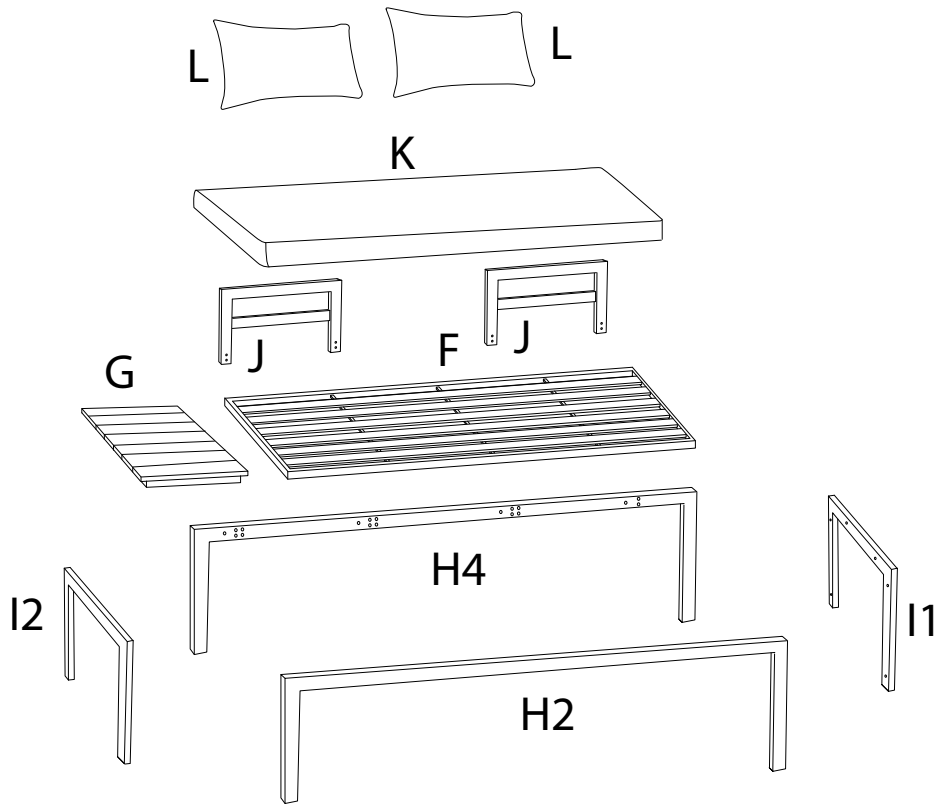
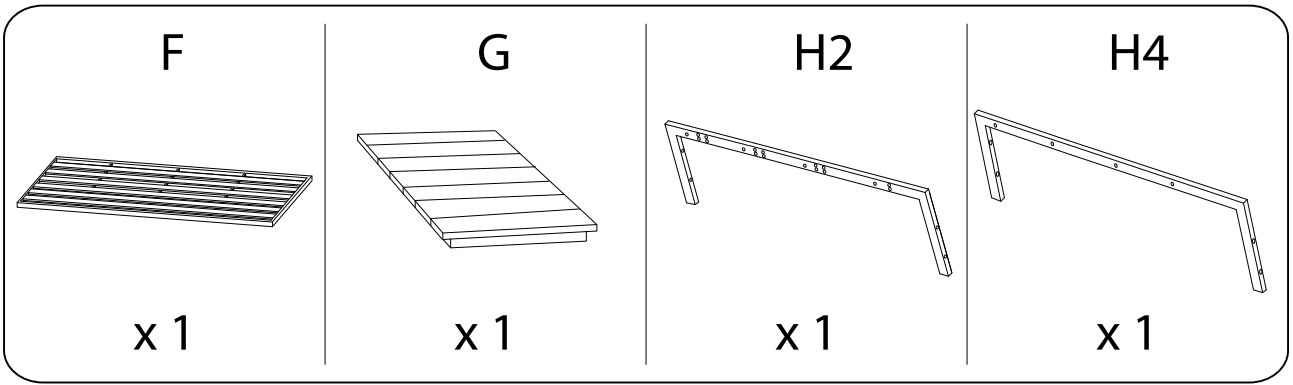
5



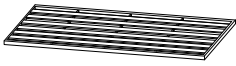
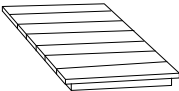
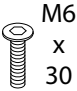

6

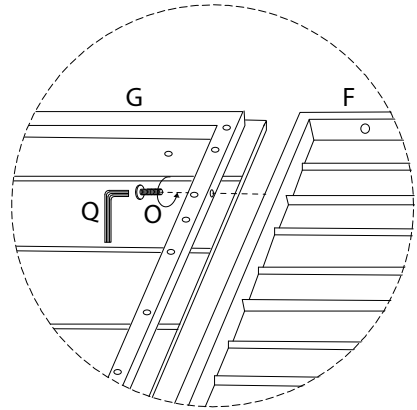
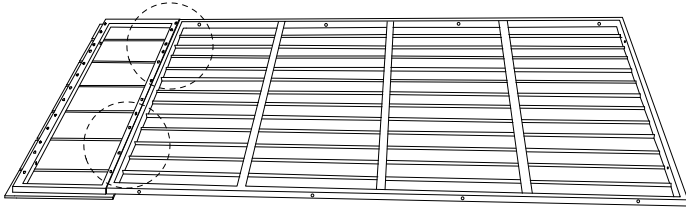


C

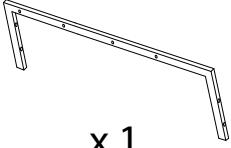
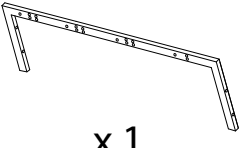
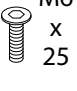



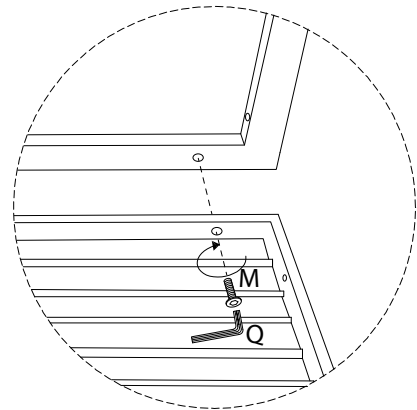
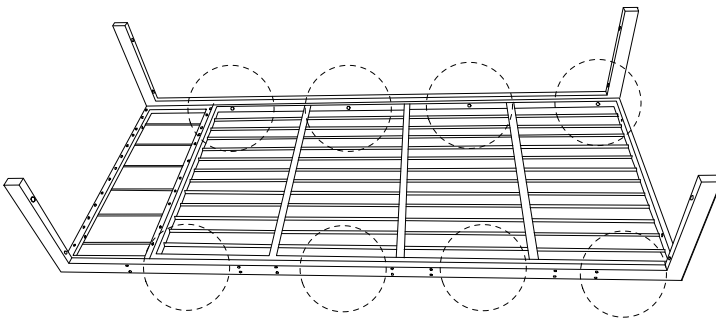
1

F  x 1	G  x 1	O  x 2	Q  x 1
--	--	---	--

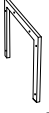
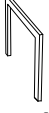
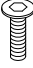
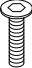
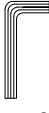


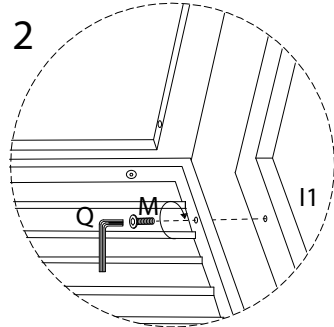
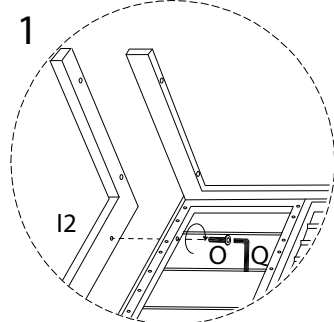
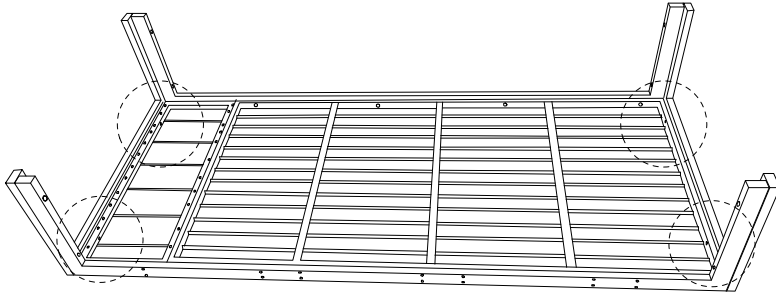
2

H2  x 1	H4  x 1	M  x 8	Q  x 1
---	---	---	--

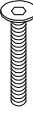



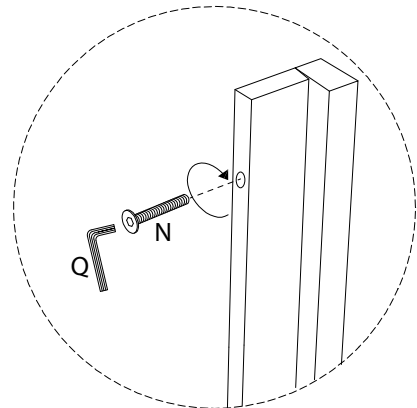
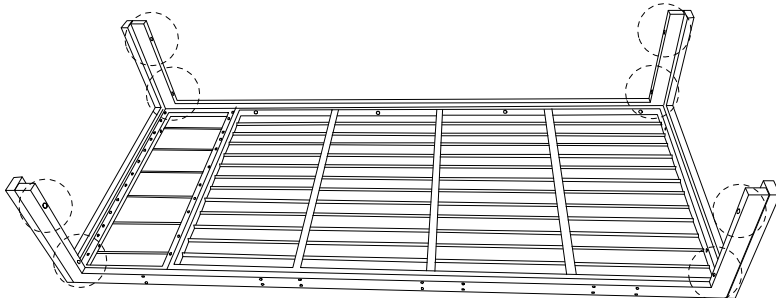
3

I1  x 1	I2  x 1	M  M6 x 25 x 2	O  M6 x 30 x 2	Q  x 1
--	--	--	--	---

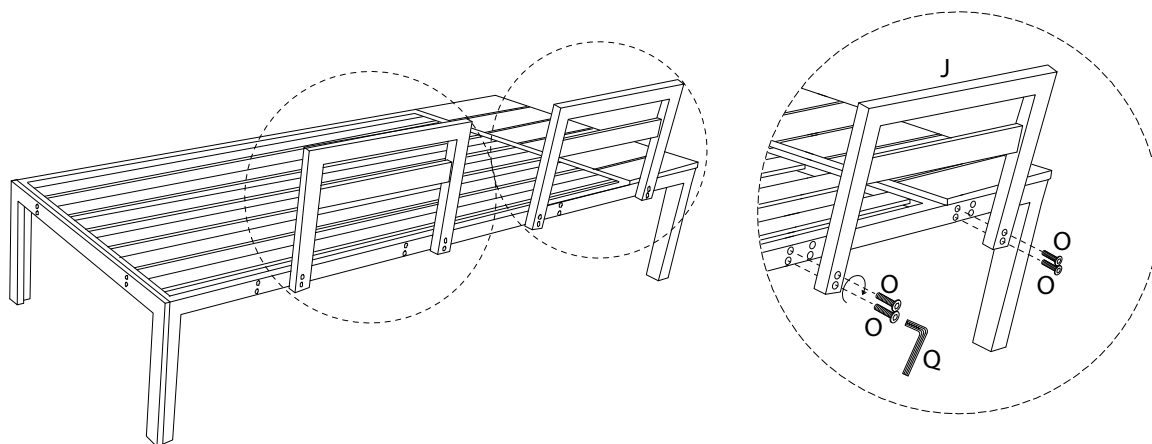
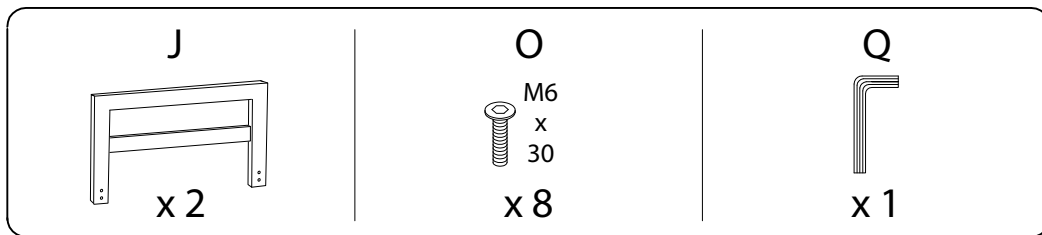


4

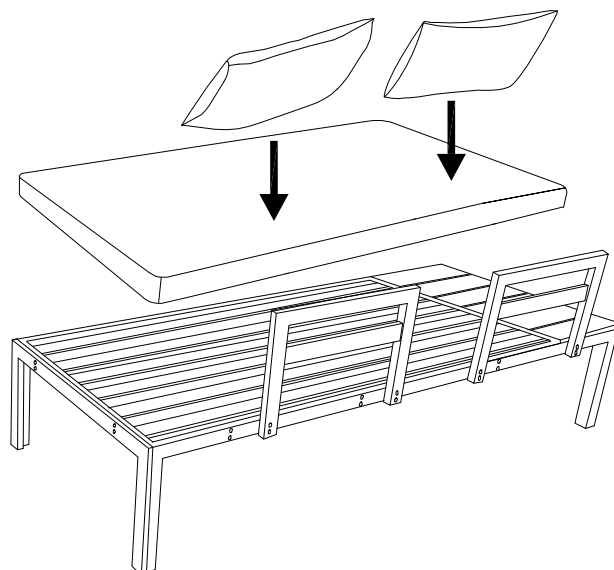
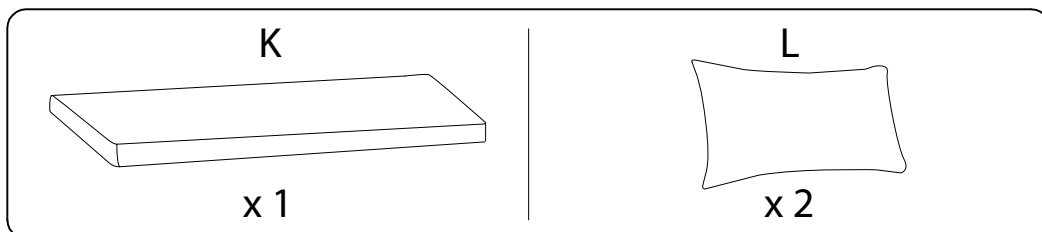
N  M6 x 52 x 8	Q  x 1
--	---



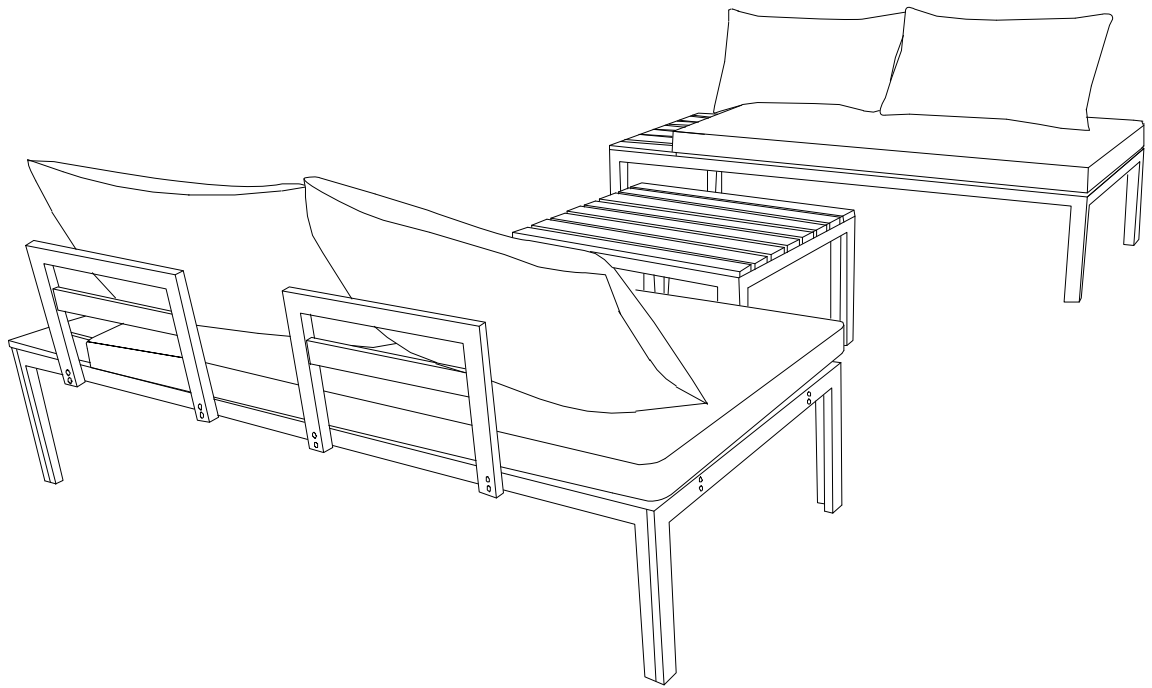
5



6

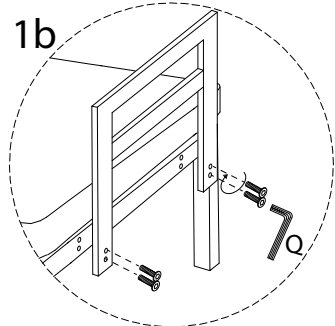
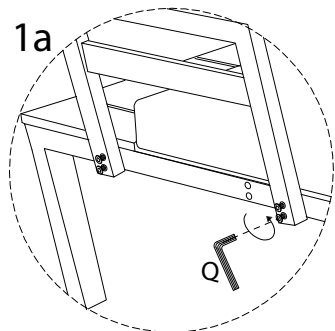
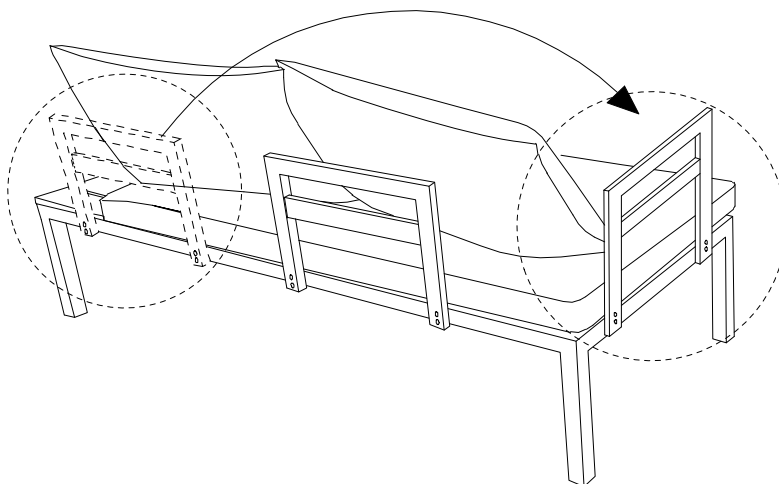


!

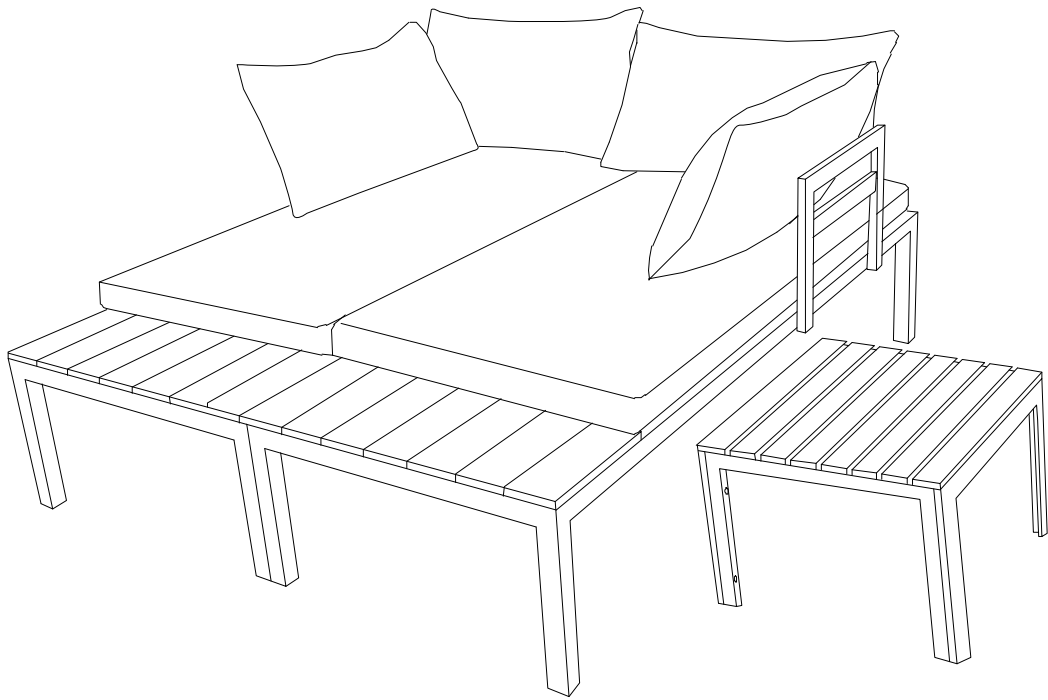


!

Q
x 1



!



!

