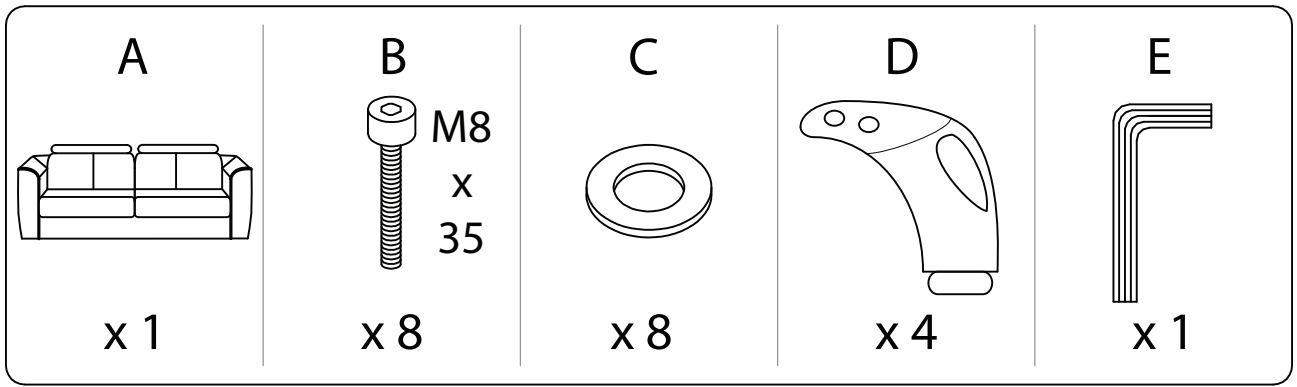


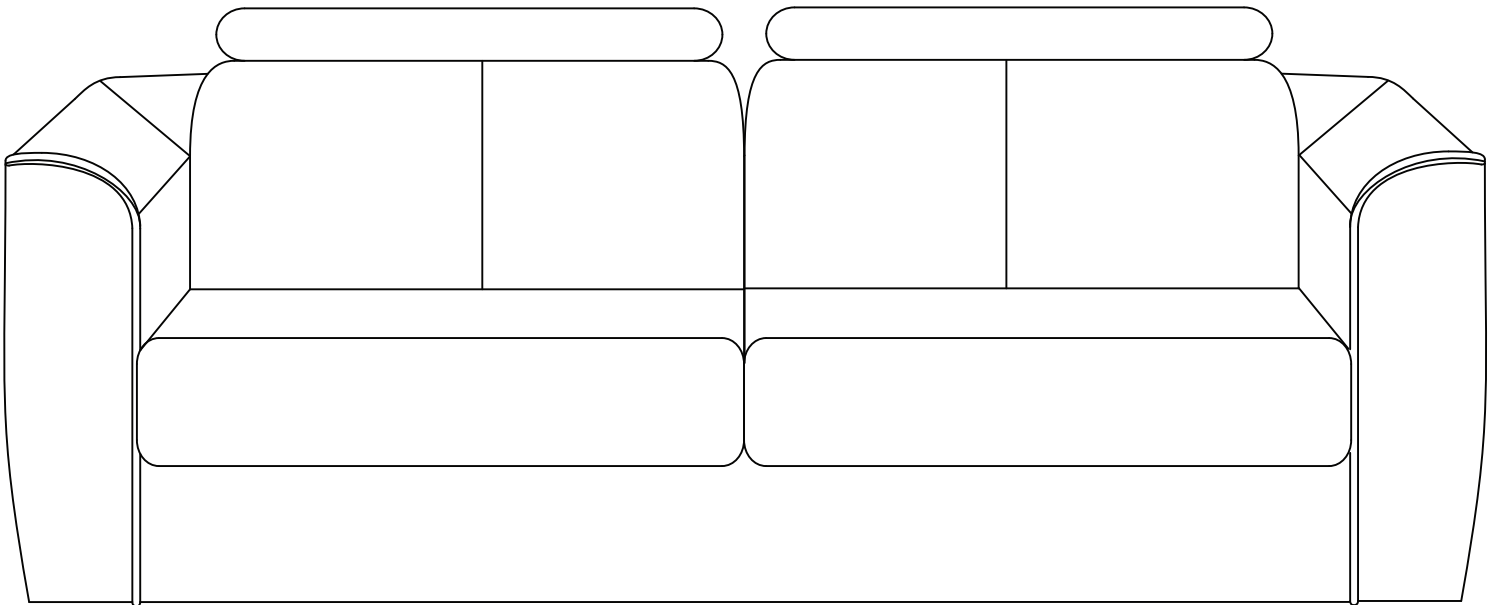
Assembly instructions for step 1/4:

- Warning:** Do not use a power drill. Use an Allen key (shown in a circle).
- Warning:** Do not use a screwdriver. Use a square block (shown in a circle).
- Time:** 15 minutes.
- Personnel:** 1 person.

1/4

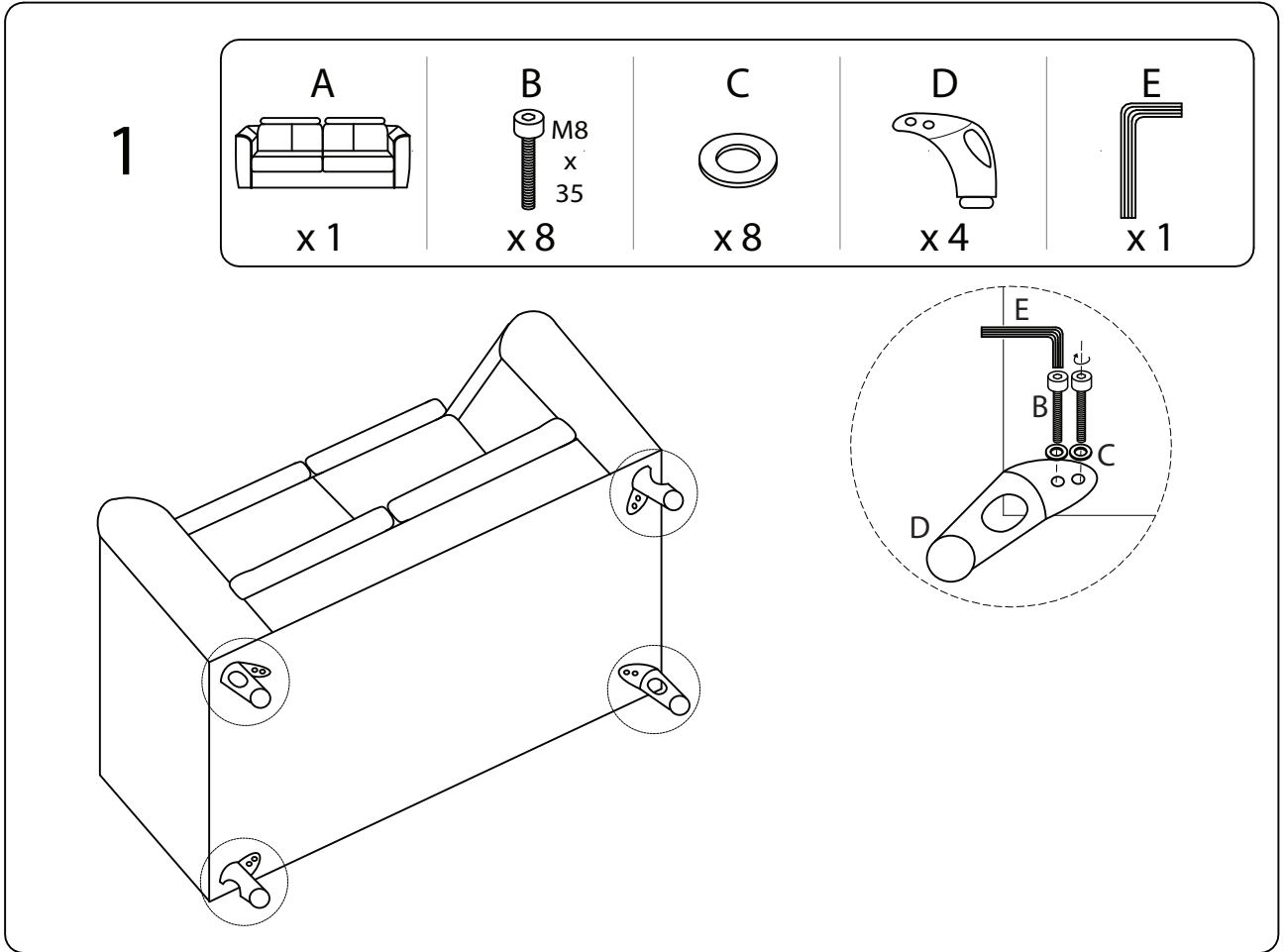
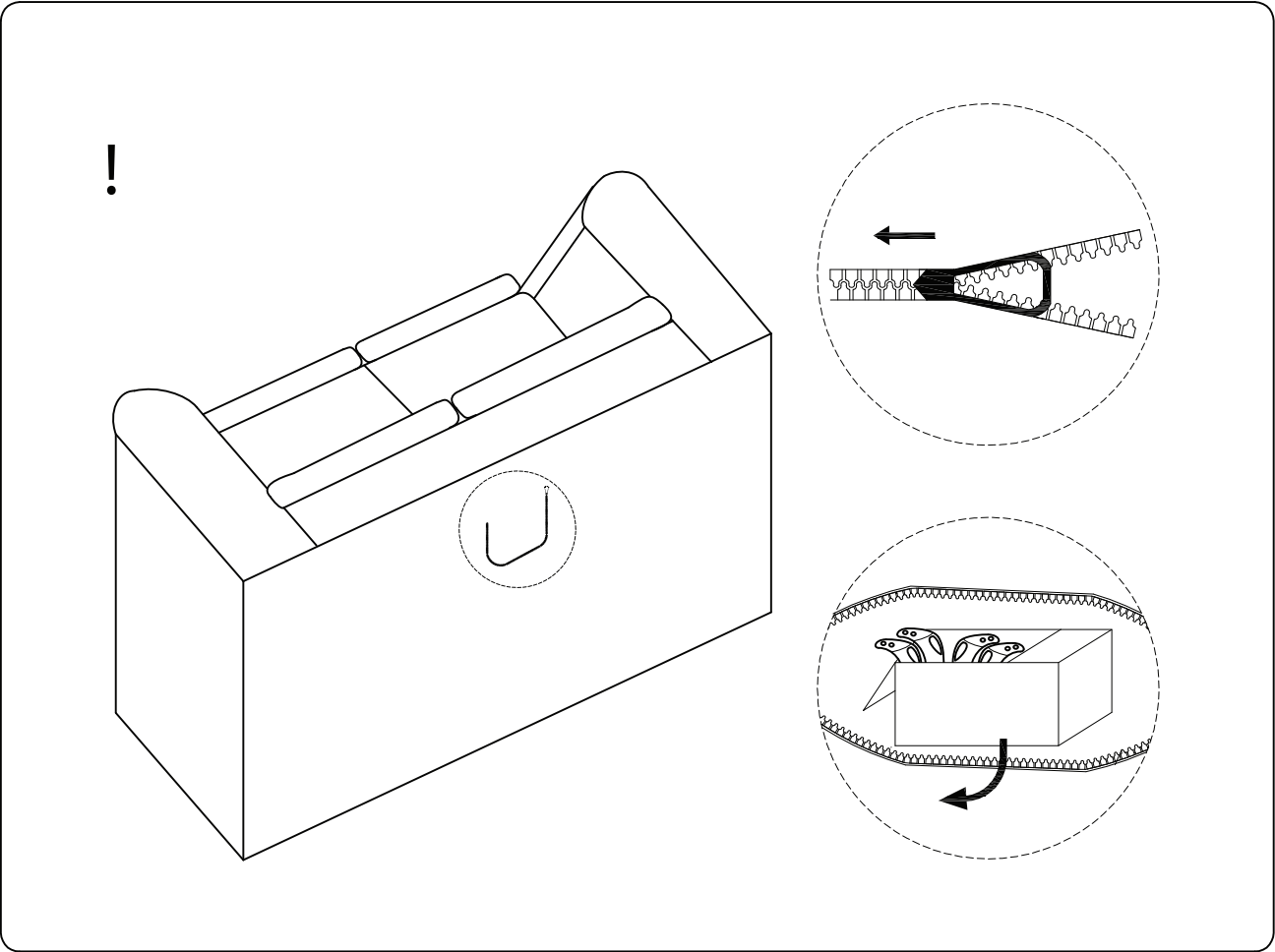


A x 1



D x 4





2

