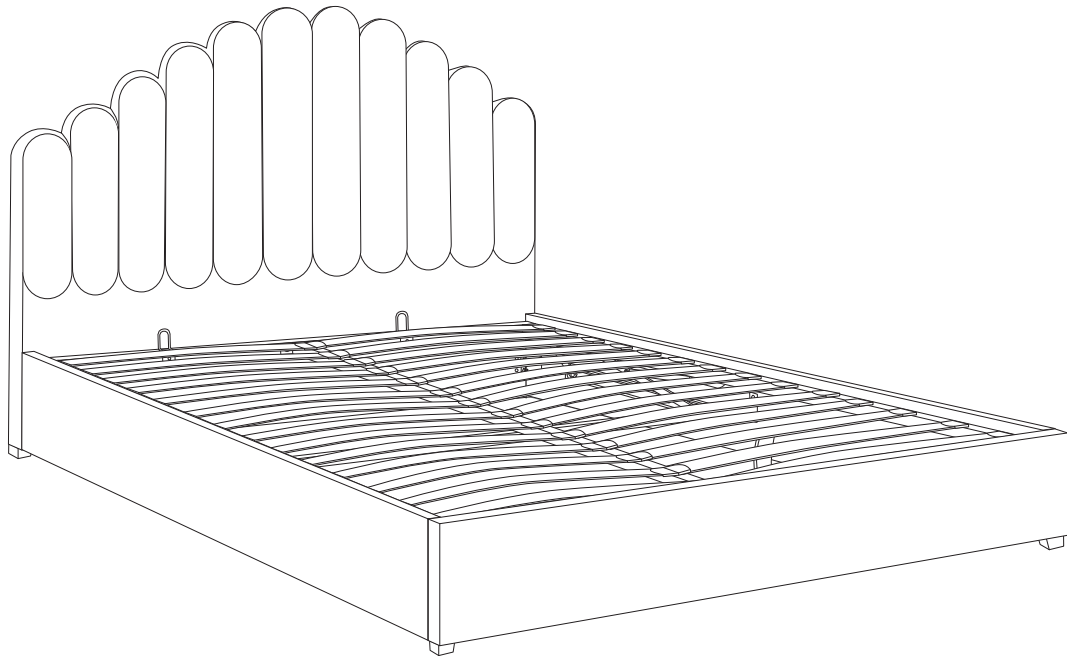
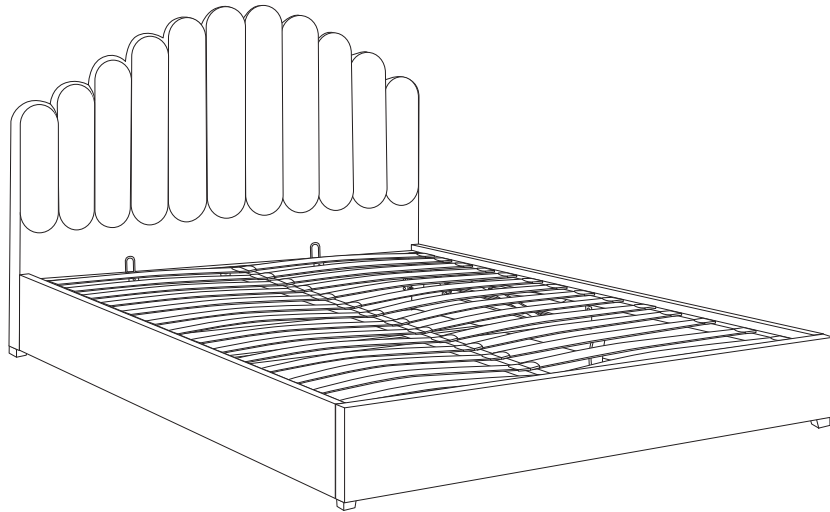
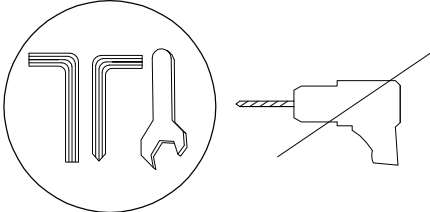

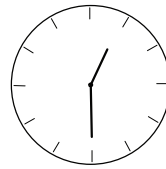
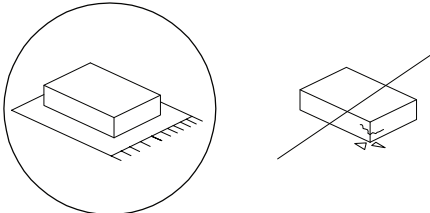

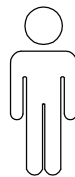
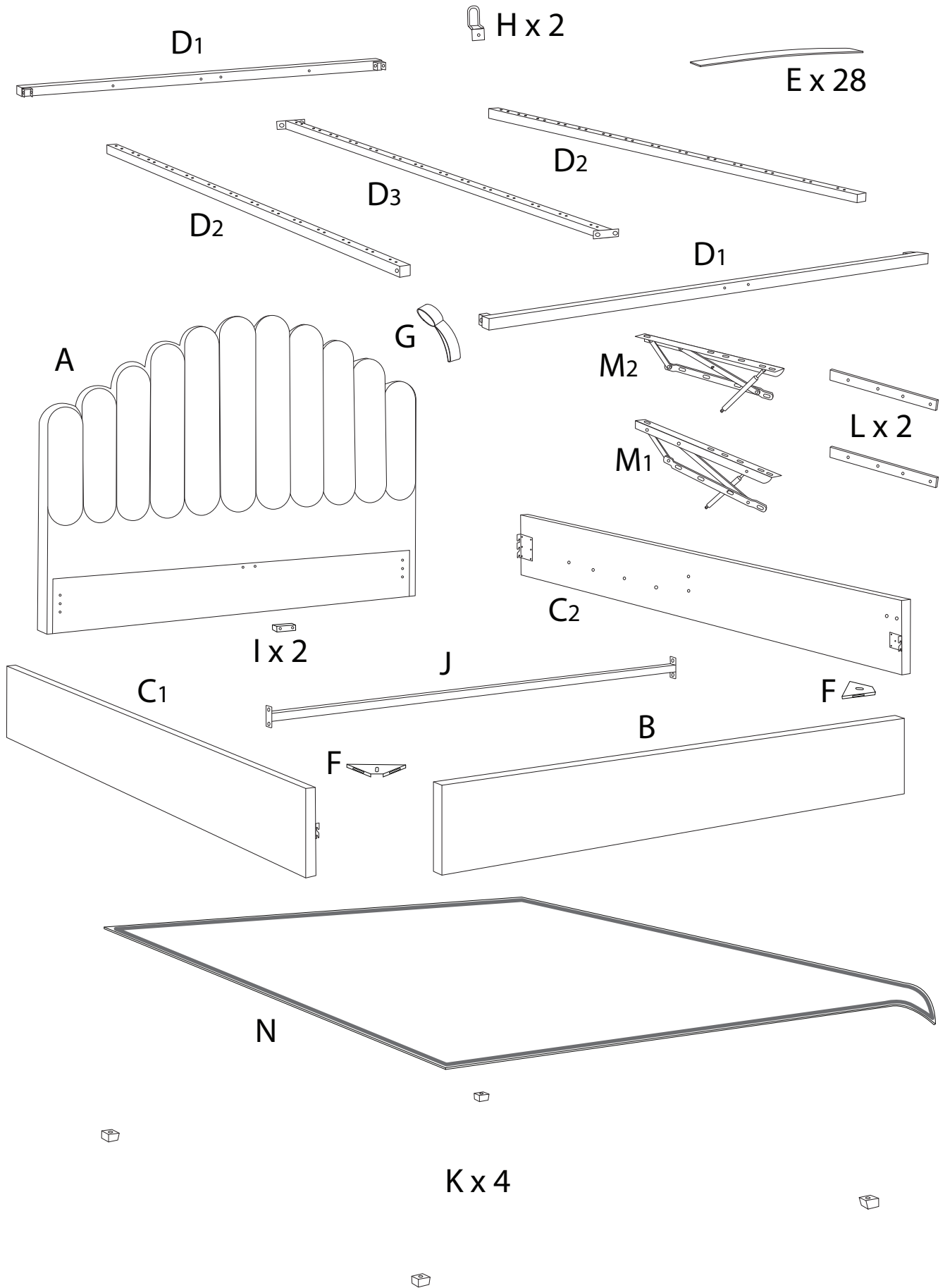


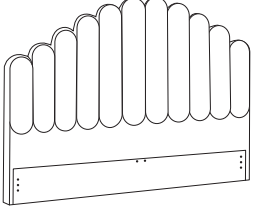
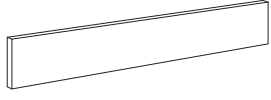
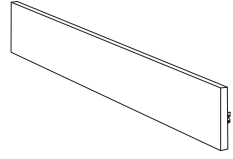
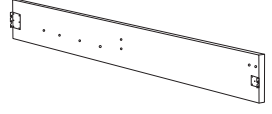

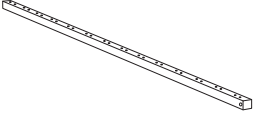
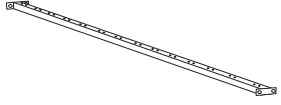

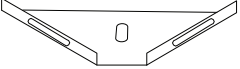

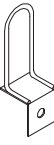
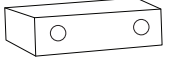

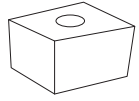
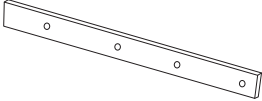
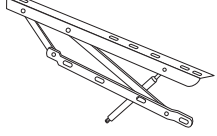
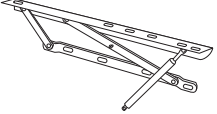
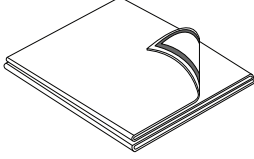
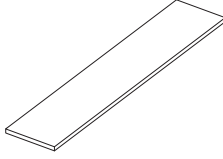
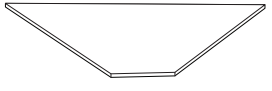
VINCENNES



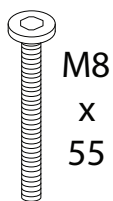


		
		 2



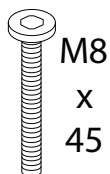
<p>A</p>  <p>x 1</p>	<p>B</p>  <p>x 1</p>	<p>C1</p>  <p>x 1</p>	<p>C2</p>  <p>x 1</p>
<p>D1</p>  <p>x 2</p>	<p>D2</p>  <p>x 2</p>	<p>D3</p>  <p>x 1</p>	<p>E</p>  <p>x 28</p>
<p>F</p>  <p>x 2</p>	<p>G</p>  <p>x 1</p>	<p>H</p>  <p>x 2</p>	<p>I</p>  <p>x 2</p>
<p>J</p>  <p>x 1</p>	<p>K</p>  <p>x 4</p>	<p>L</p>  <p>x 2</p>	<p>M1</p>  <p>x 1</p>
<p>M2</p>  <p>x 1</p>	<p>N</p>  <p>x 1</p>	<p>O</p>  <p>x 3</p>	<p>P</p>  <p>x 2</p>

1



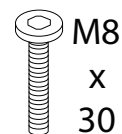
x 4

2



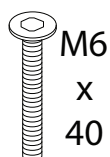
x 18

3



x 10

4



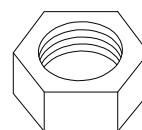
x 8

5



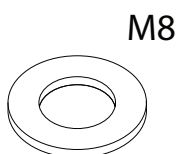
x 12

6



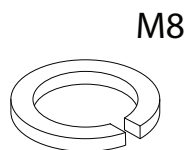
x 14

7



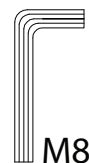
x 32

8



x 32

9



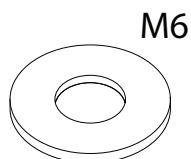
x 1

10



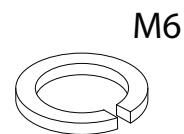
x 1

11



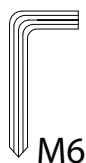
x 20

12



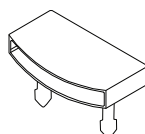
x 20

13



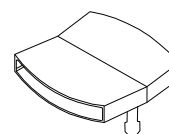
x 1

14



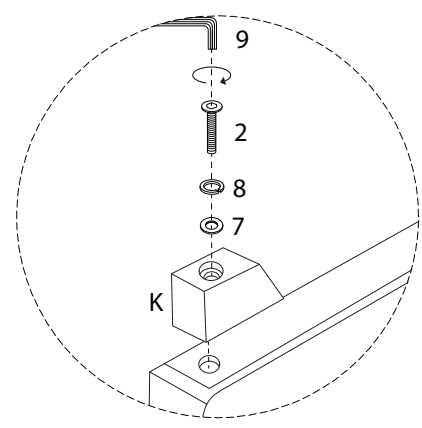
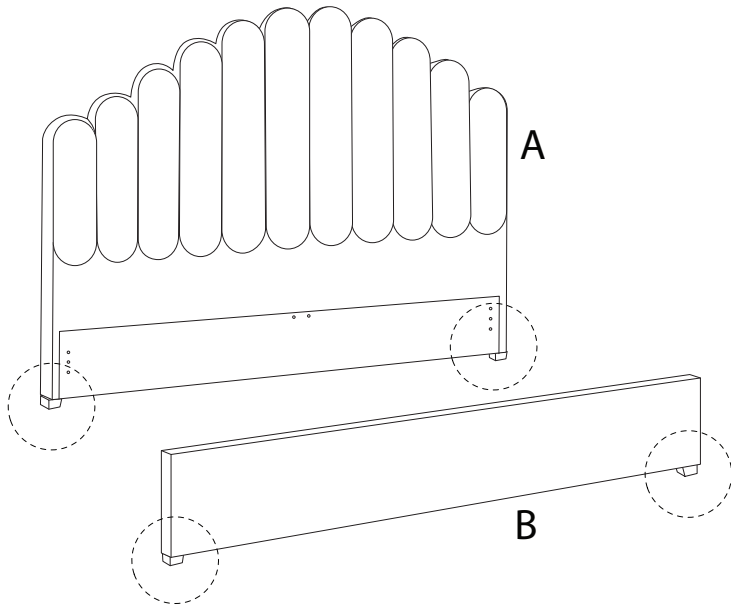
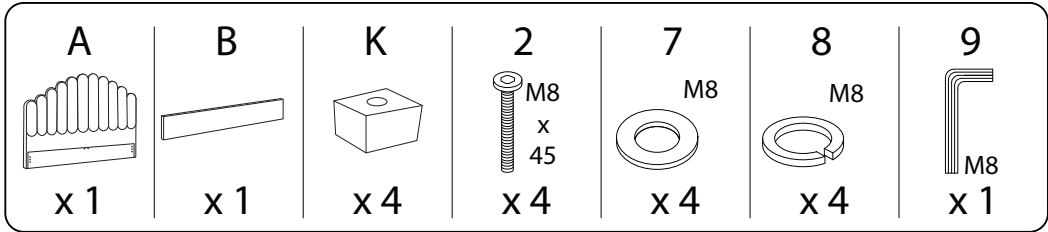
x 28

15

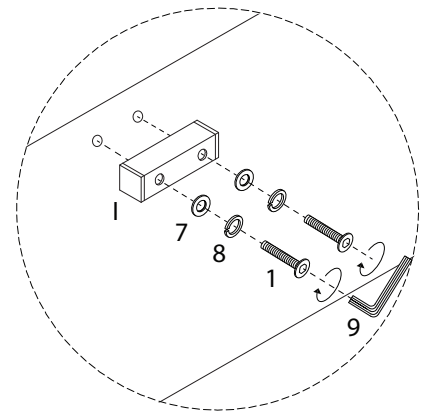
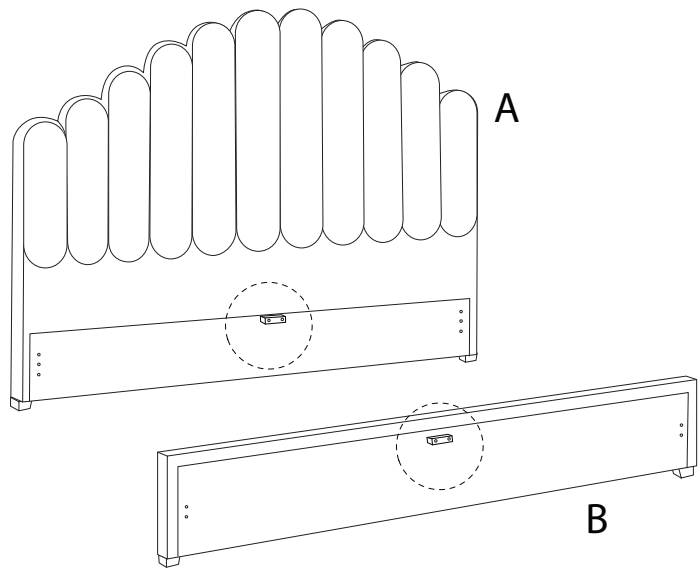
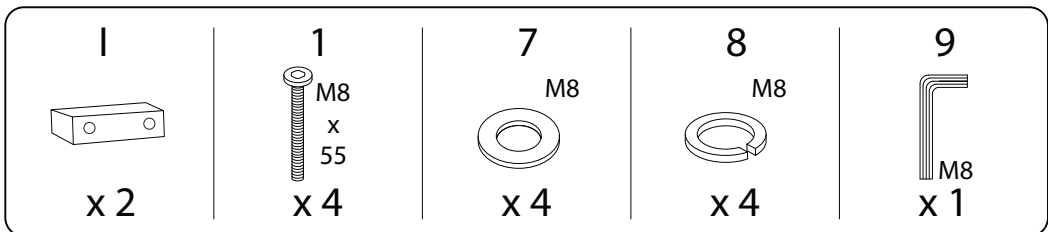


x 14


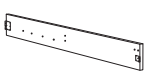
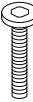
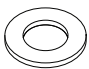
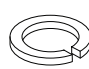
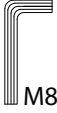
1

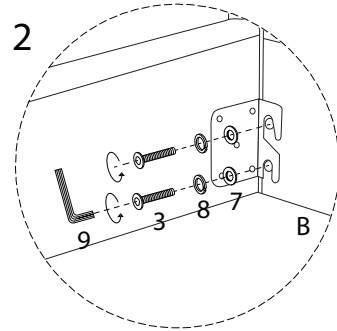
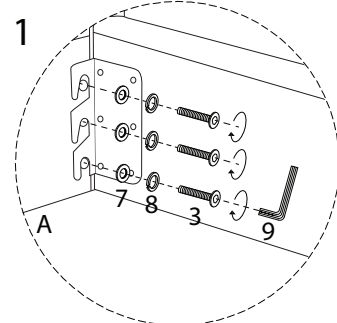
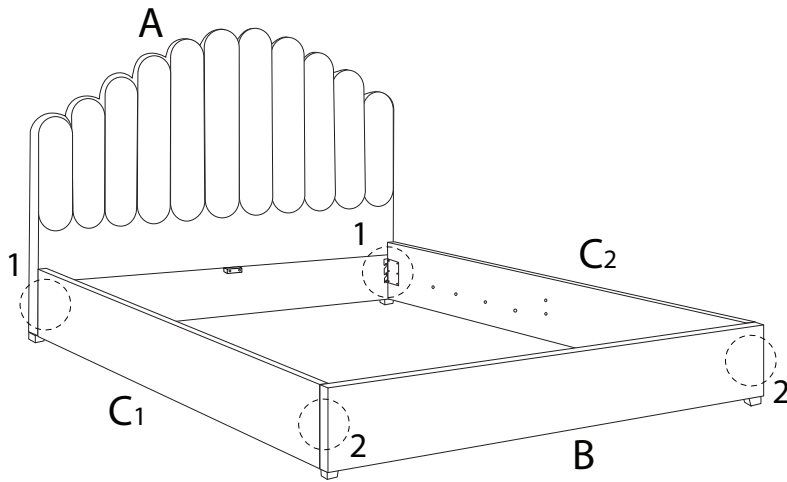


2

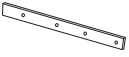
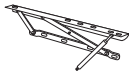
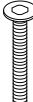
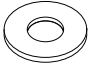
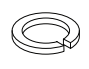



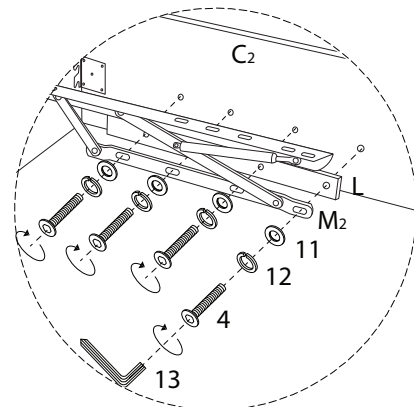
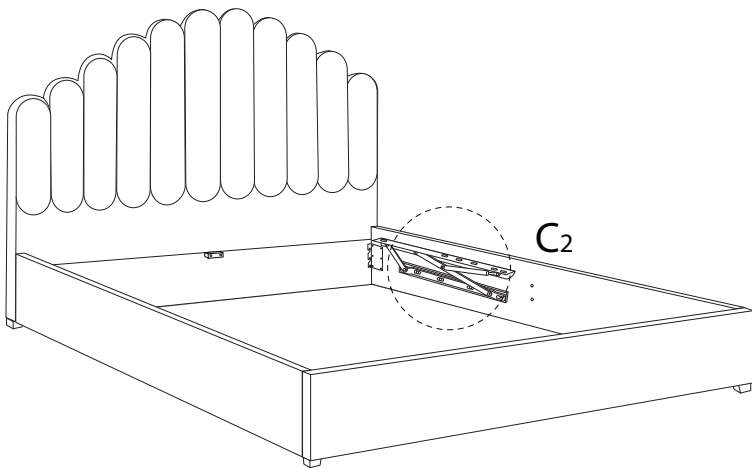
3

C1  x 1	C2  x 1	3 M8 x 30  x 10	7 M8  x 10	8 M8  x 10	9 M8  x 1
--	--	---	---	--	---

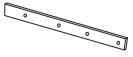
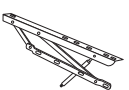
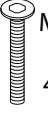
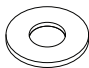
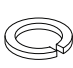



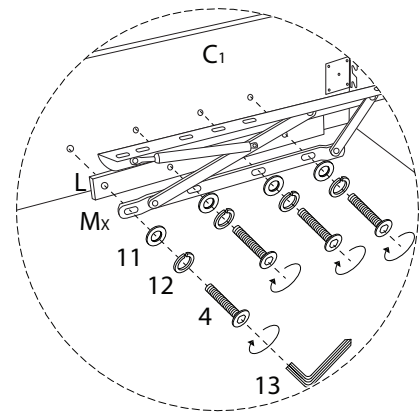
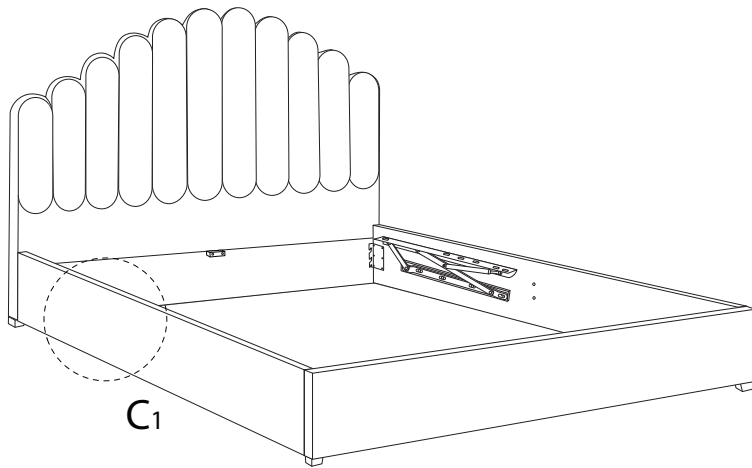
4

L  x 1	M2  x 1	4 M6 x 40  x 4	11 M6  x 4	12 M6  x 4	13 M6  x 1
---	--	--	---	--	--

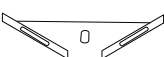
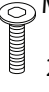

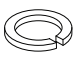



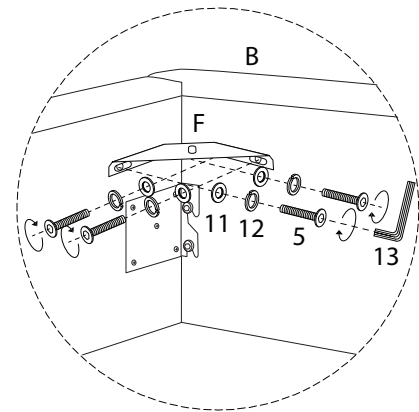
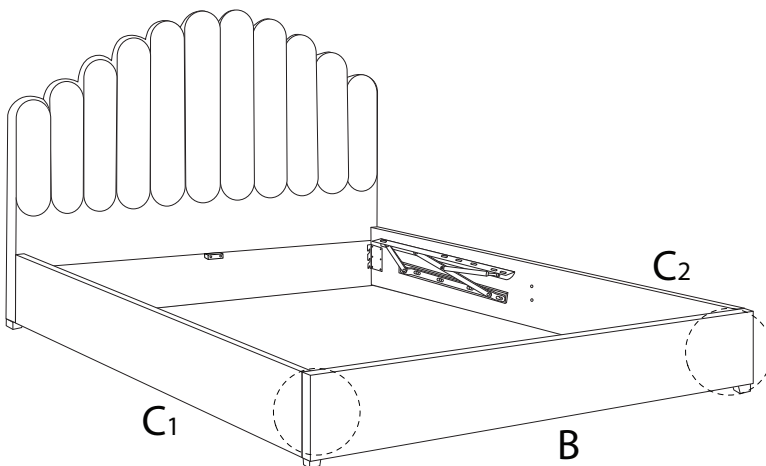
5

L  x 1	M1  x 1	4  M6 x 40 x 4	11  M6 x 4	12  M6 x 4	13  M6 x 1
--	---	--	--	---	---




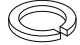



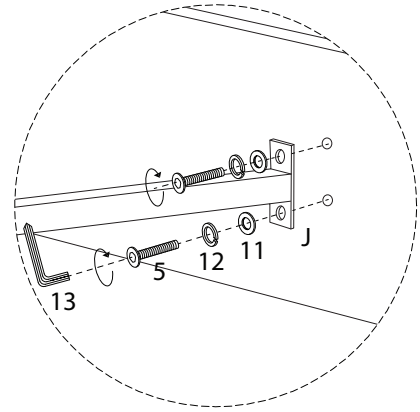
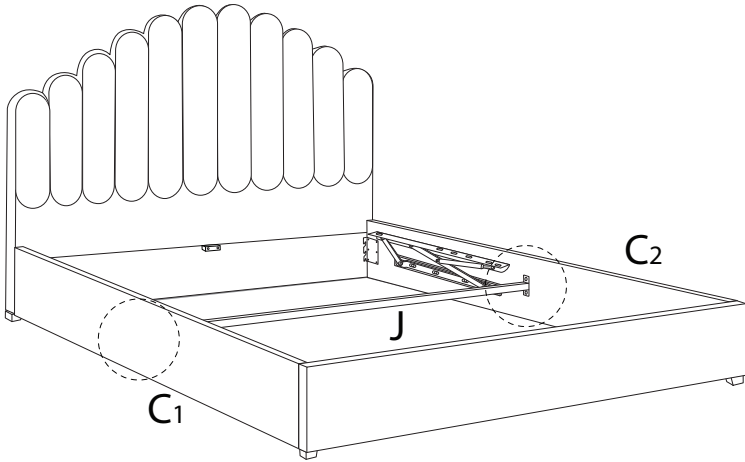
6

F  x 2	5  M6 x 20 x 8	11  M6 x 8	12  M6 x 8	13  M6 x 1
--	--	---	---	---

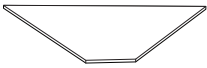


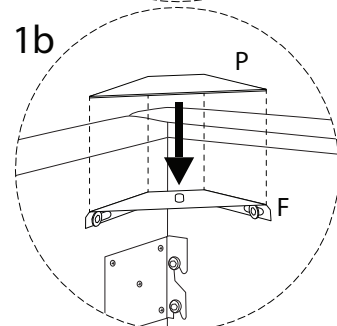
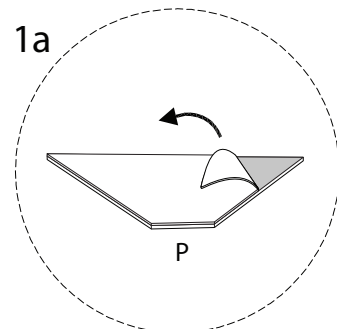
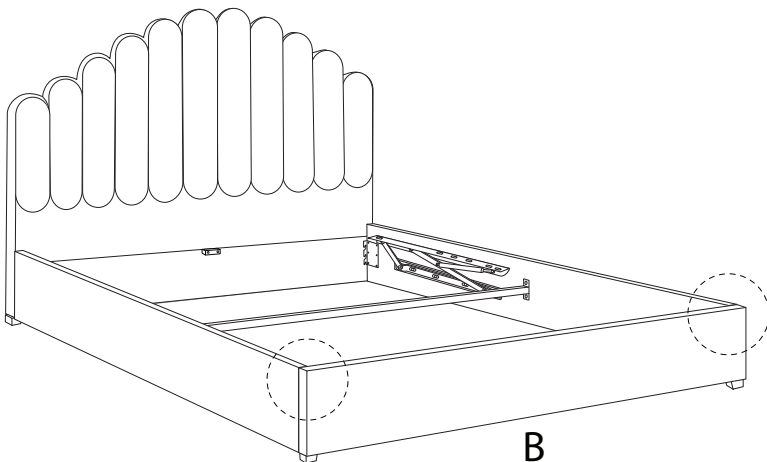
7

<p>J</p>  <p>x 1</p>	<p>5</p> <p>M6 x 20</p>  <p>x 4</p>	<p>11</p> <p>M6</p>  <p>x 4</p>	<p>12</p> <p>M6</p>  <p>x 4</p>	<p>13</p> <p>M6</p>  <p>x 1</p>
---	--	--	--	--

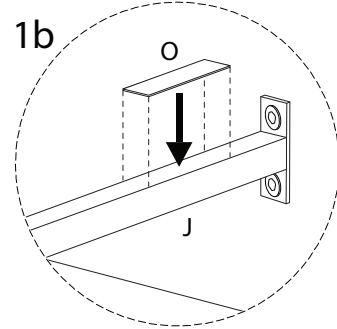
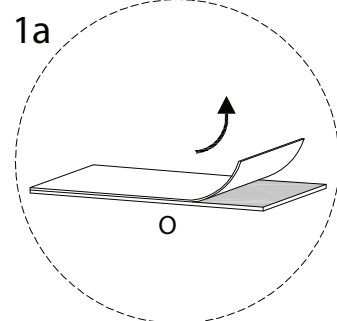
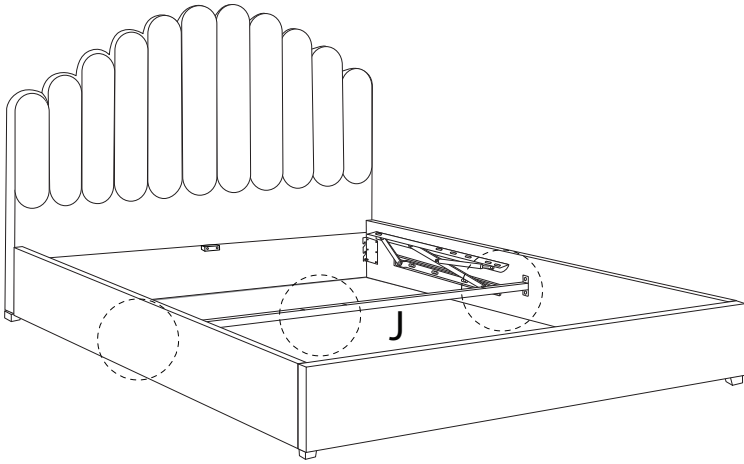
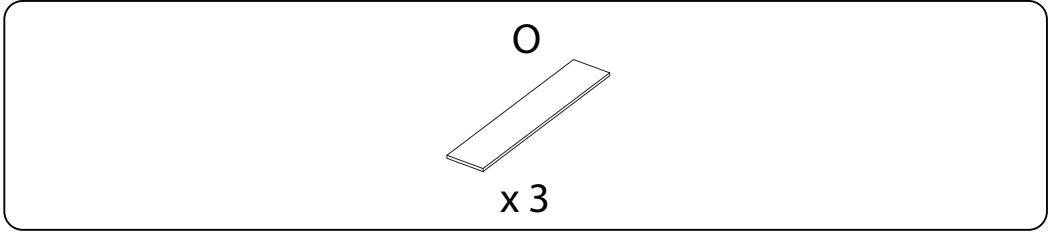


8

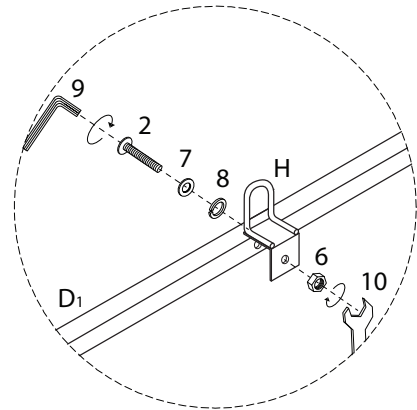
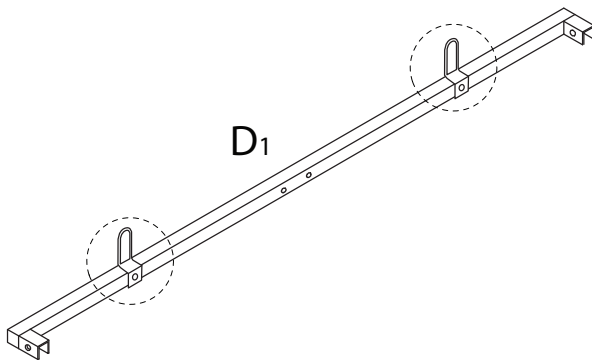
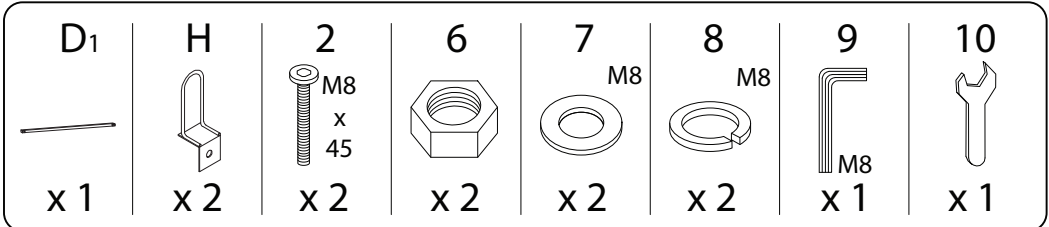
<p>P</p>  <p>x 2</p>



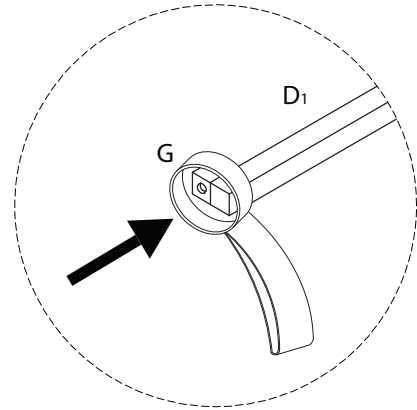
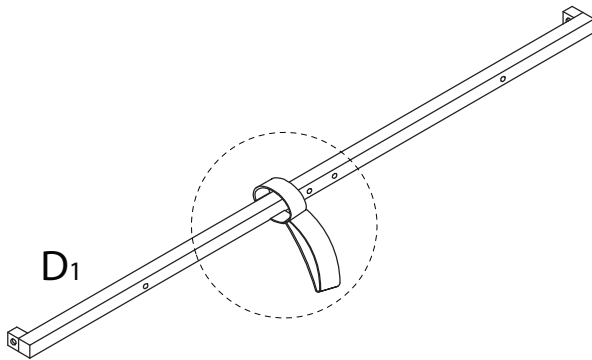
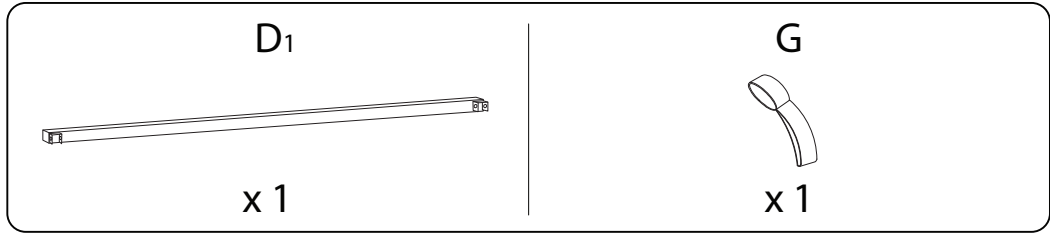
9



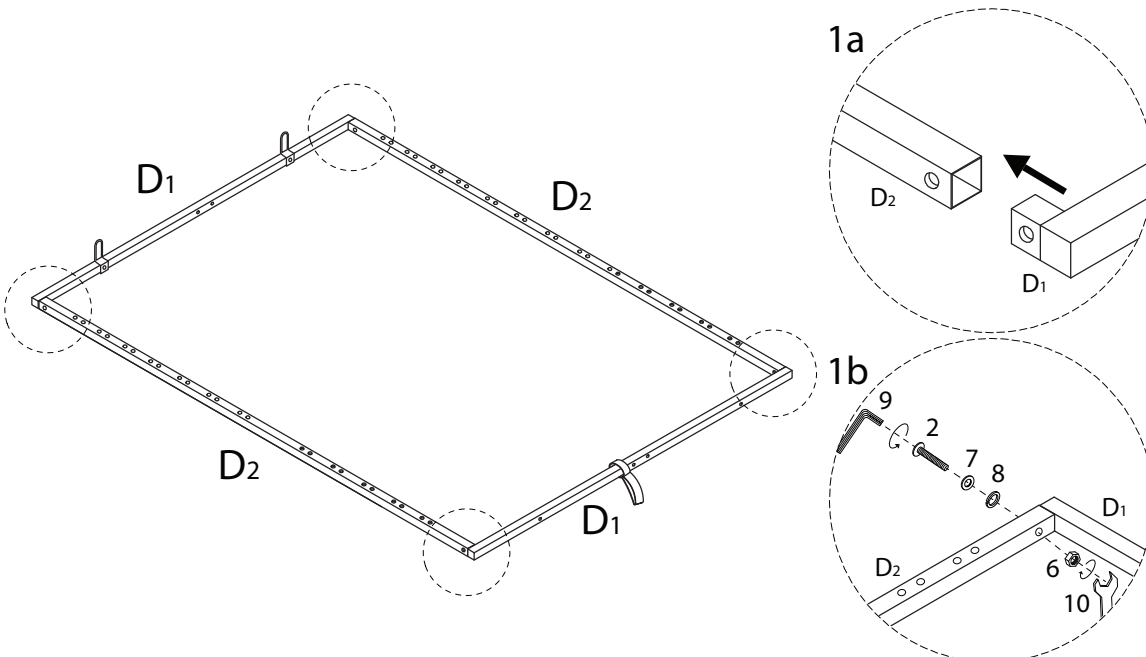
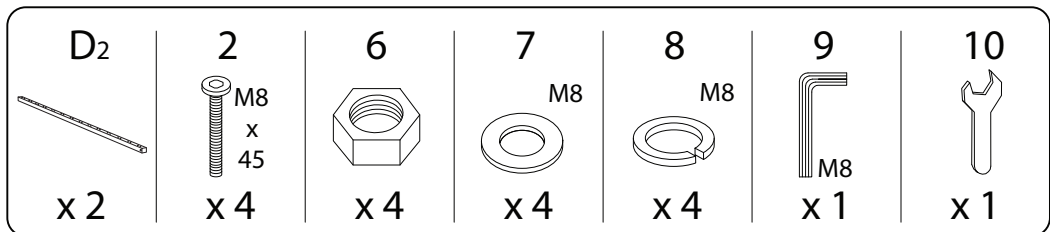
10




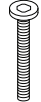
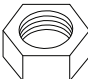

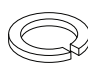
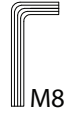
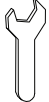
11

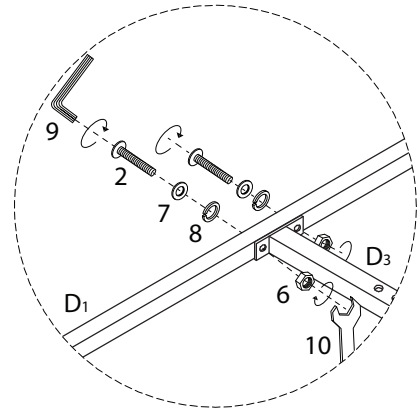
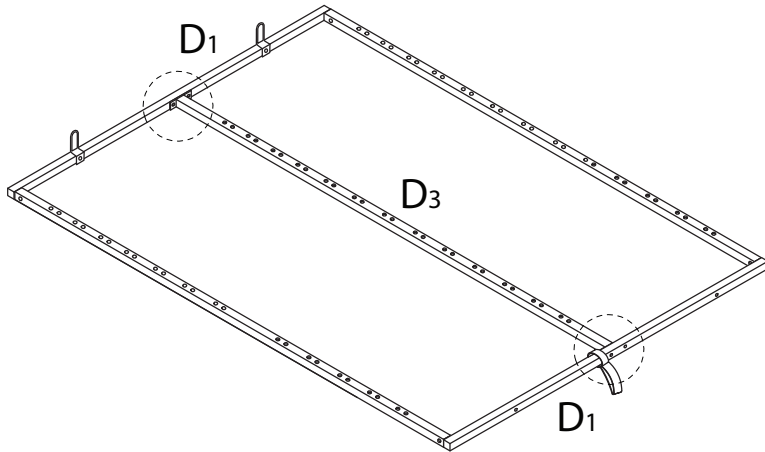


12

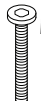
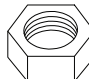

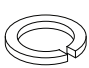
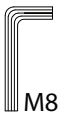



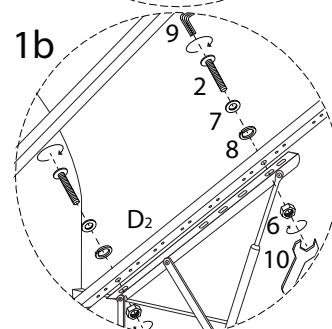
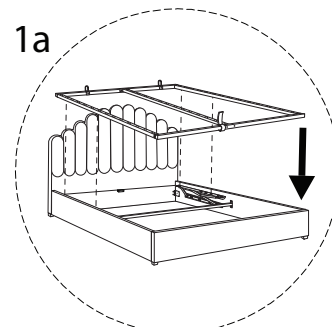
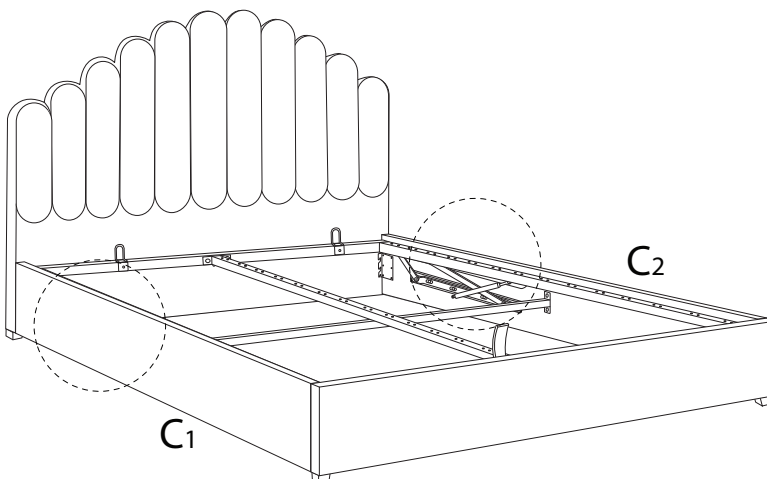
13

D ₃  x 1	2 M8 x 45  x 4	6  x 4	7 M8  x 4	8 M8  x 4	9 M8  x 1	10  x 1
--	---	---	---	--	---	--

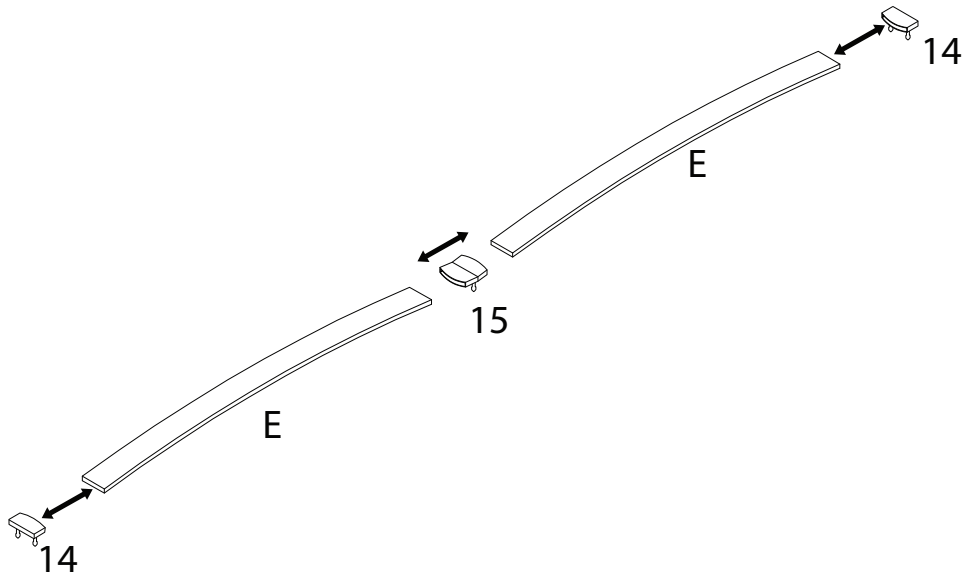
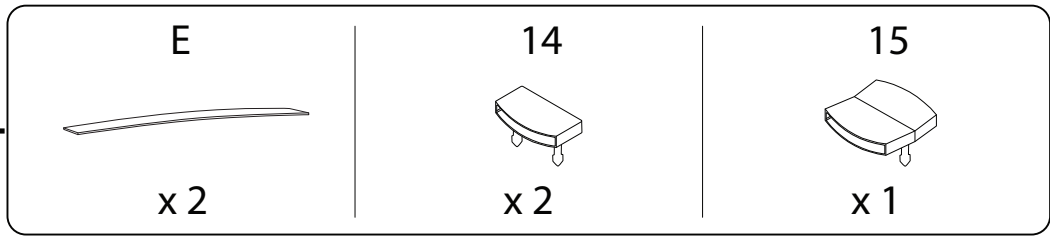


14

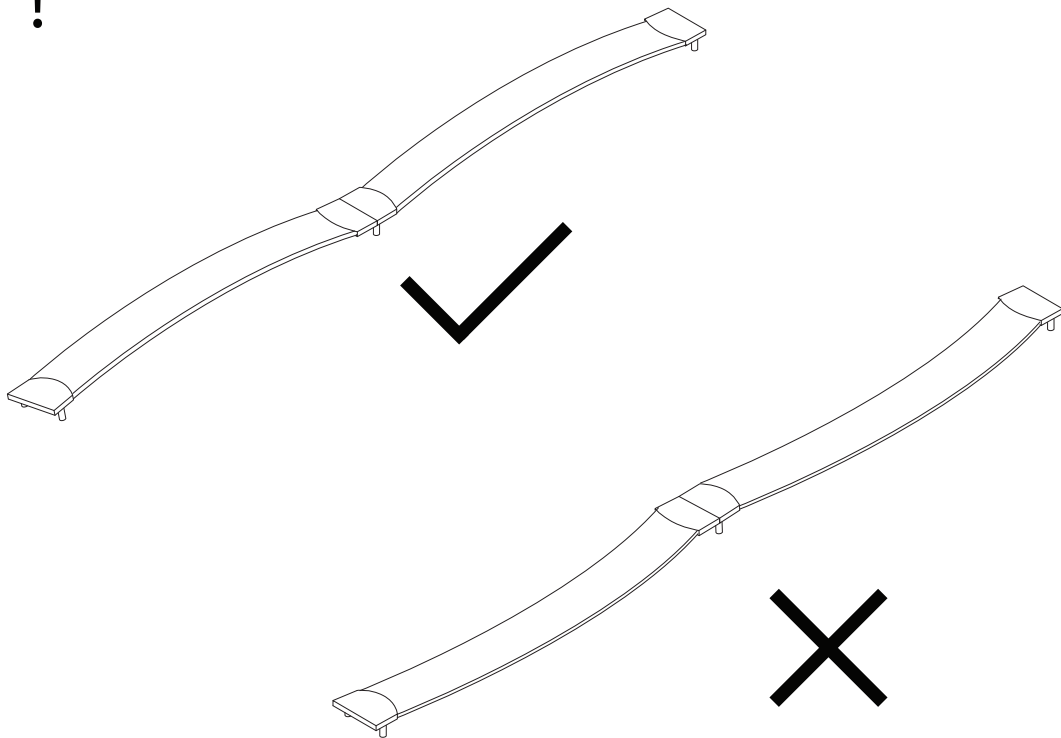
2 M8 x 45  x 4	6  x 4	7 M8  x 4	8 M8  x 4	9 M8  x 1	10  x 1
---	---	---	--	---	--



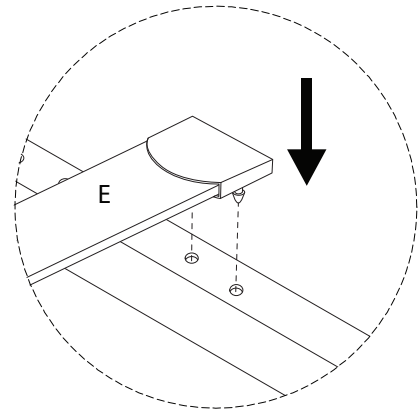
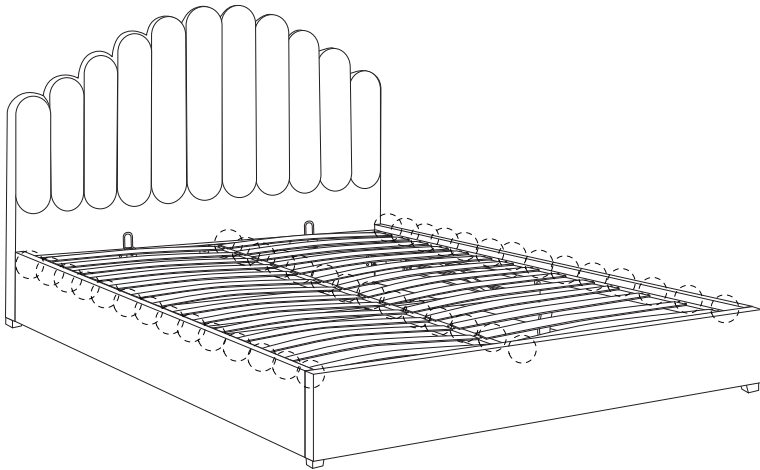
15 x 14



!

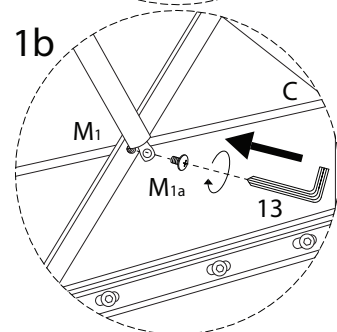
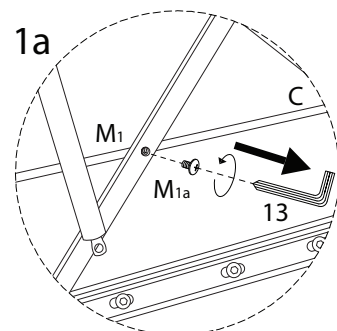
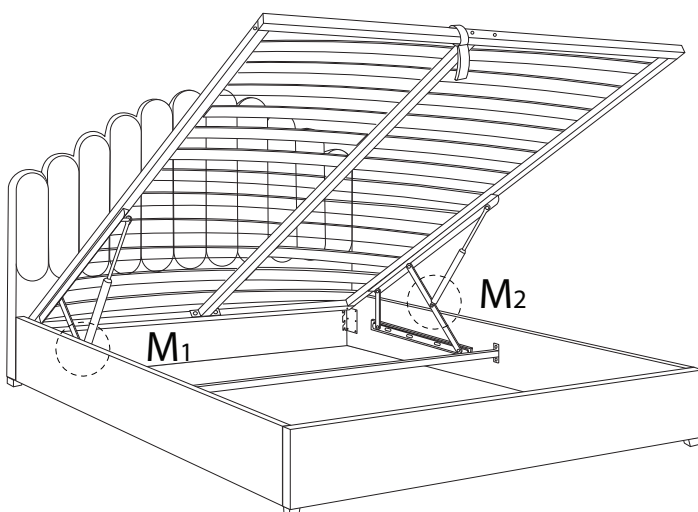


16



17

13
M6
x 1



18

