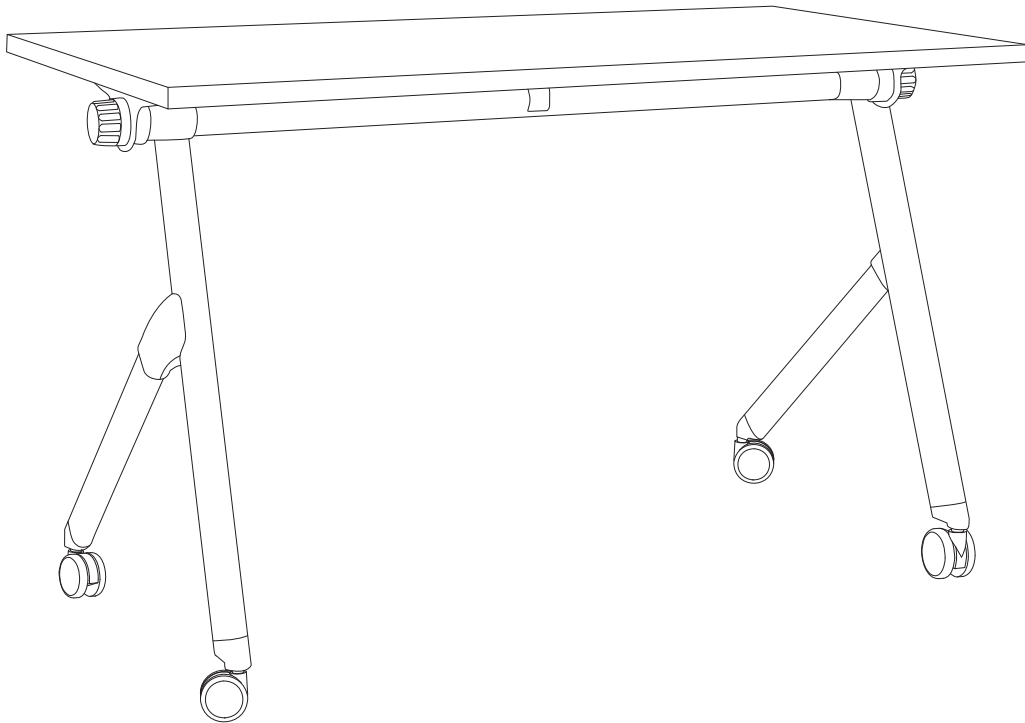
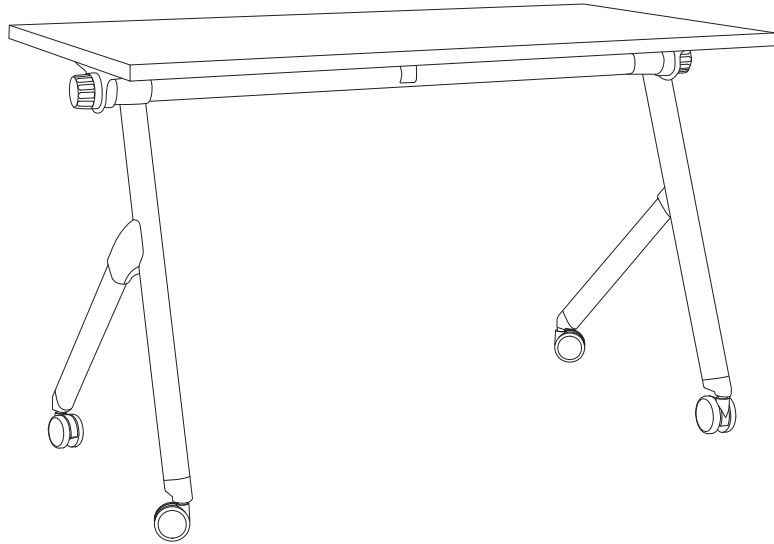


# BENDI







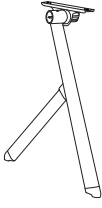


Assembly instructions for the table, including tool requirements, time, and personnel.

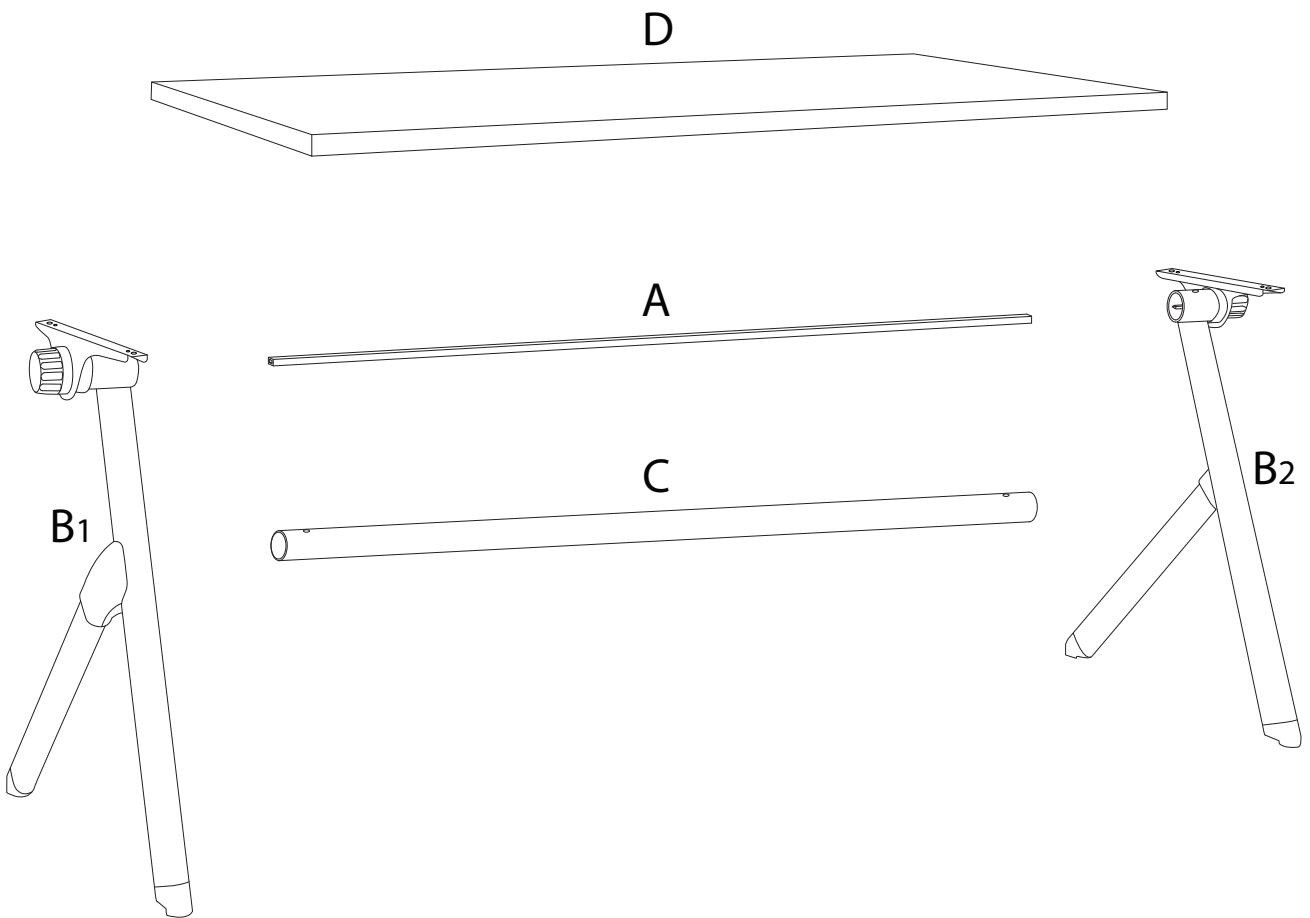
**Tools:** A circular icon contains a screwdriver and an Allen key. A power drill is shown to the right. A warning triangle is positioned above the tools.


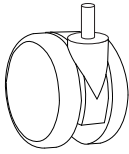

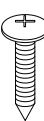


**Time:** A clock icon is shown, with the text "20'" below it, indicating the estimated assembly time.

**Personnel:** A person icon is shown, with the text "2" below it, indicating the number of people required for assembly.

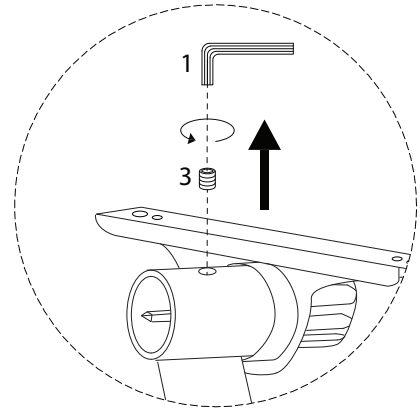
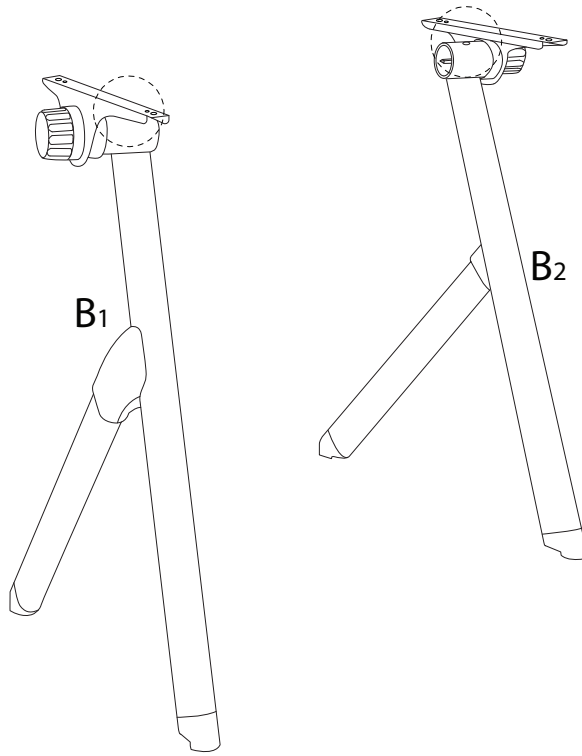
Two warning triangles are positioned vertically between the tool and personnel sections.

<b>A</b>	<b>B<sub>1</sub></b>	<b>B<sub>2</sub></b>	<b>C</b>	<b>D</b>
				
<b>x 1</b>	<b>x 1</b>	<b>x 1</b>	<b>x 1</b>	<b>x 1</b>

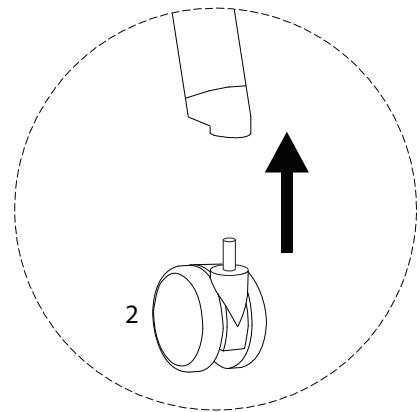
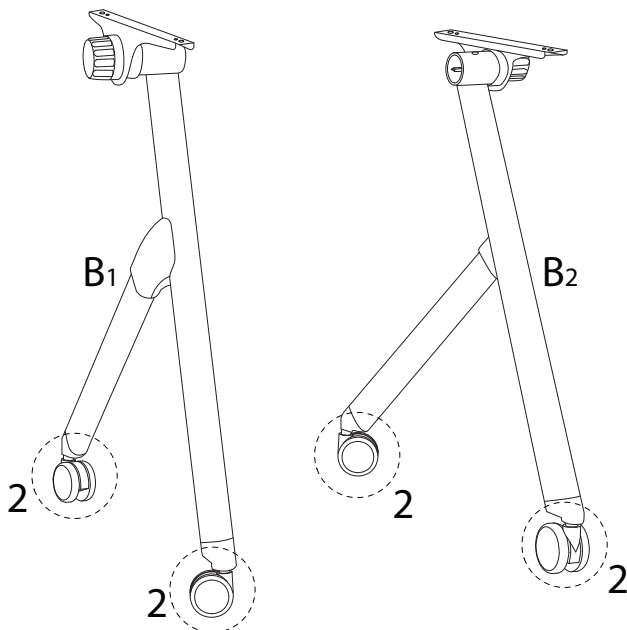
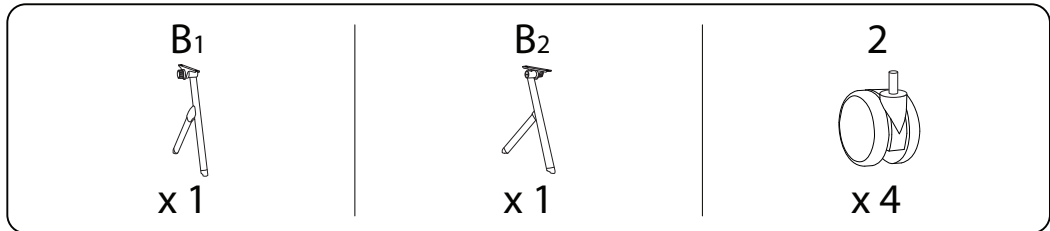


<b>1</b>	<b>2</b>	<b>3</b>	<b>4</b>	<b>5</b>	<b>6</b>
					
<b>x 1</b>	<b>x 4</b>	<b>M10 x 10 x 2</b>	<b>M5 x 20 x 6</b>	<b>x 1</b>	<b>x 1</b>

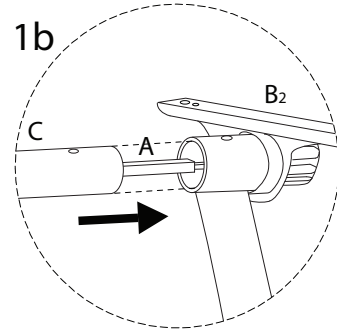
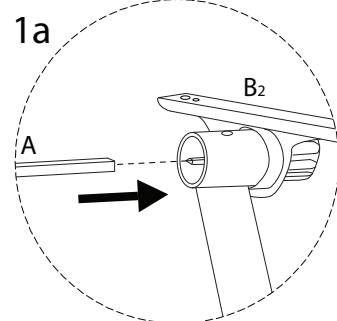
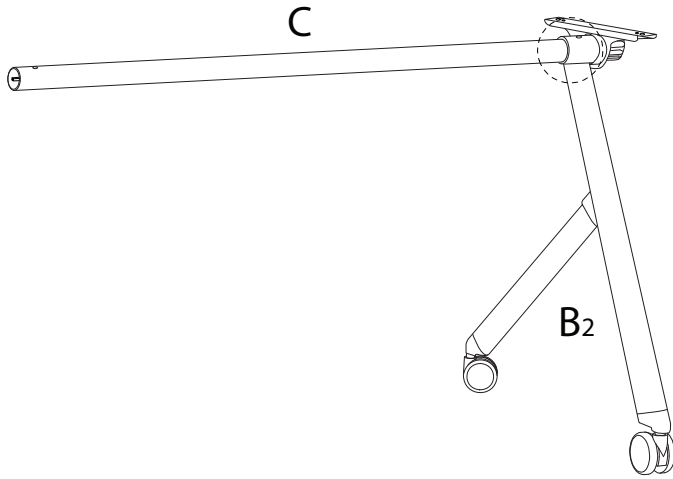
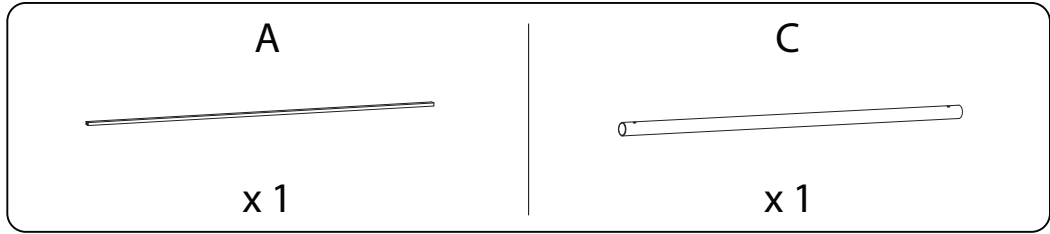
!



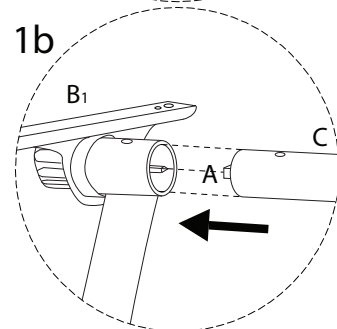
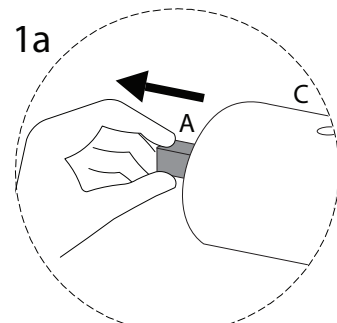
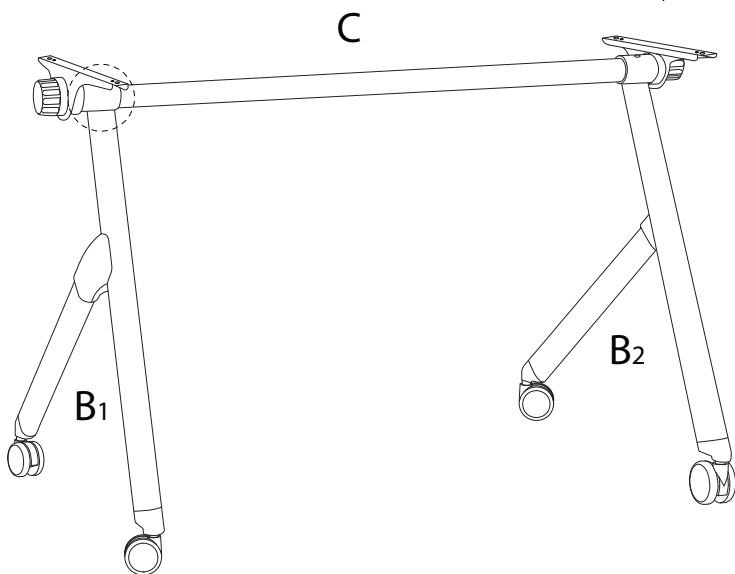
1



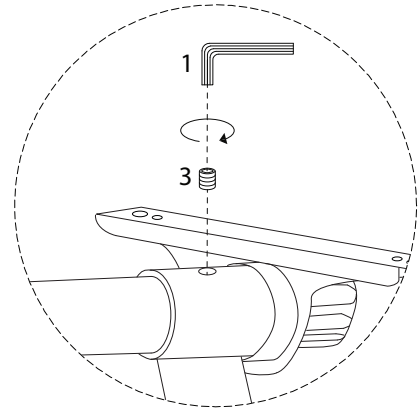
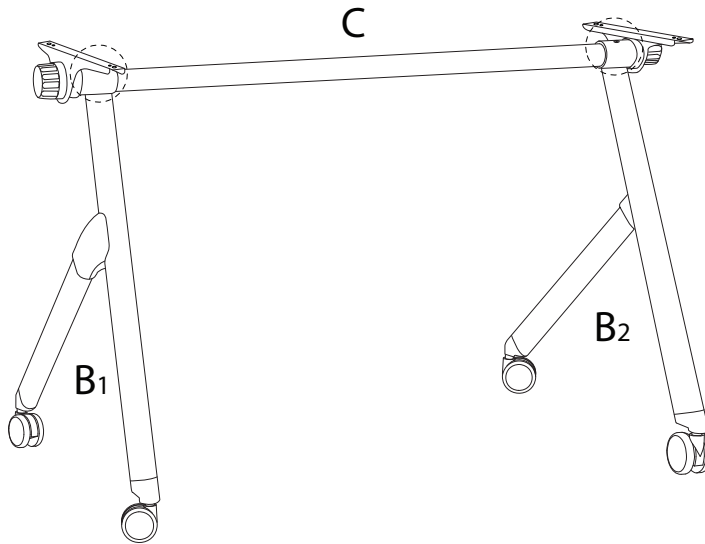
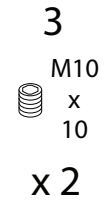
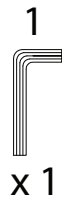
2



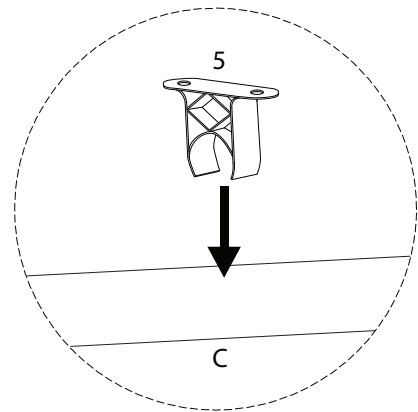
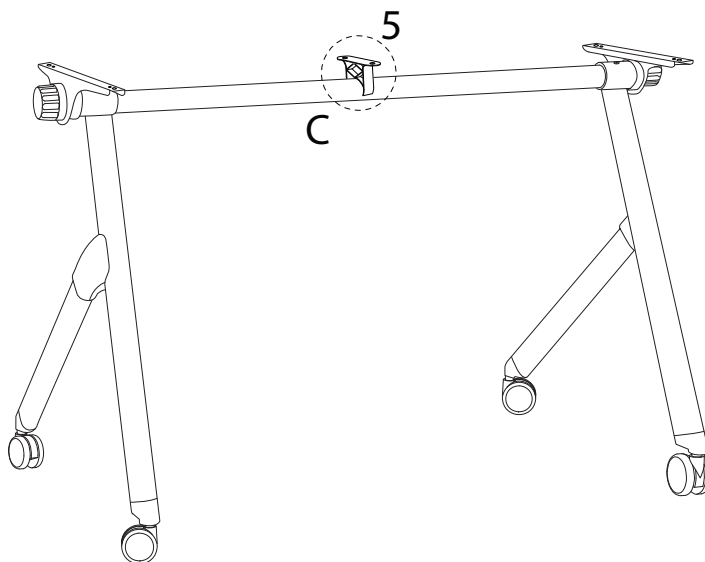
3



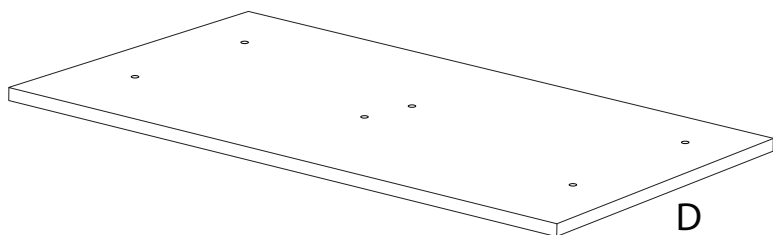
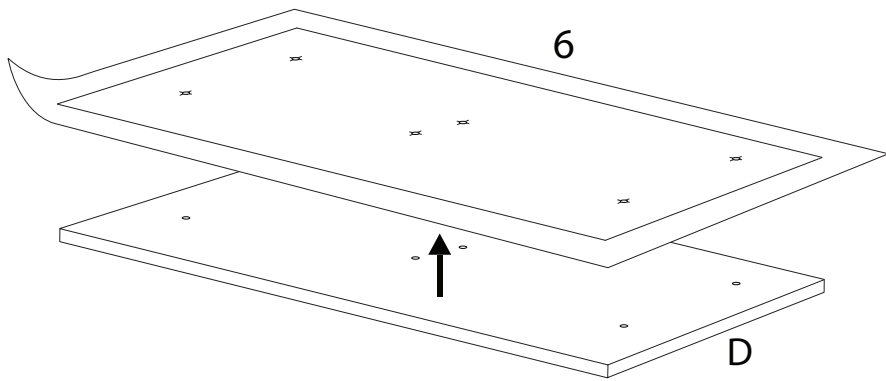
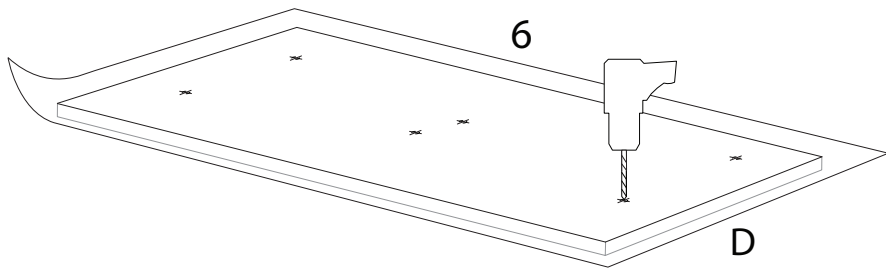
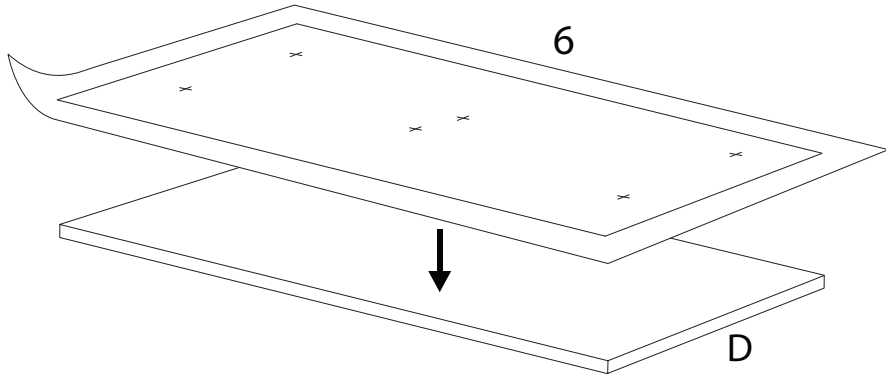
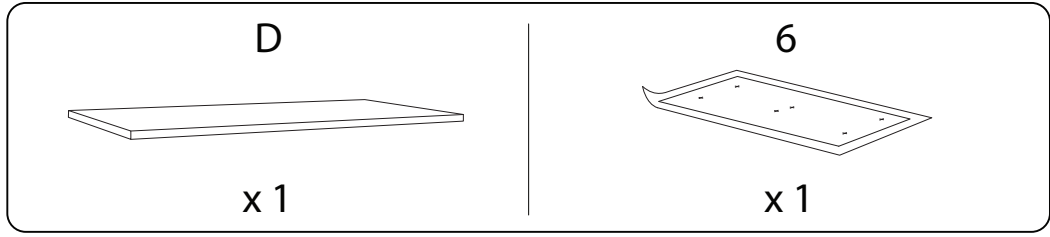
4



5



6

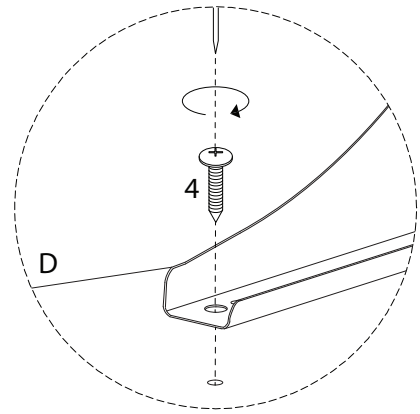
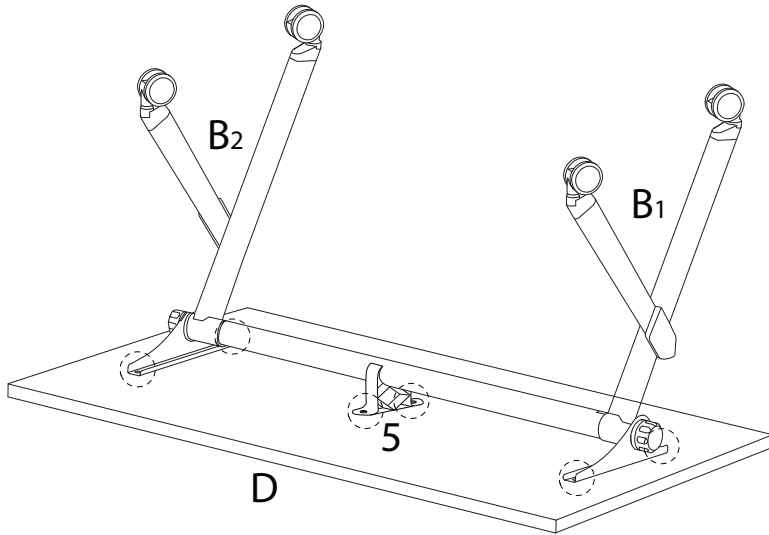


7

4



x 6



!

