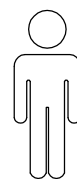
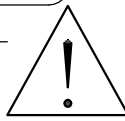
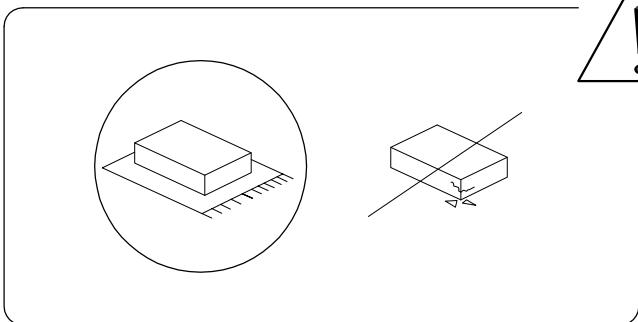

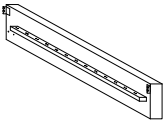
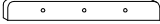

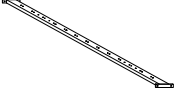
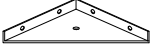
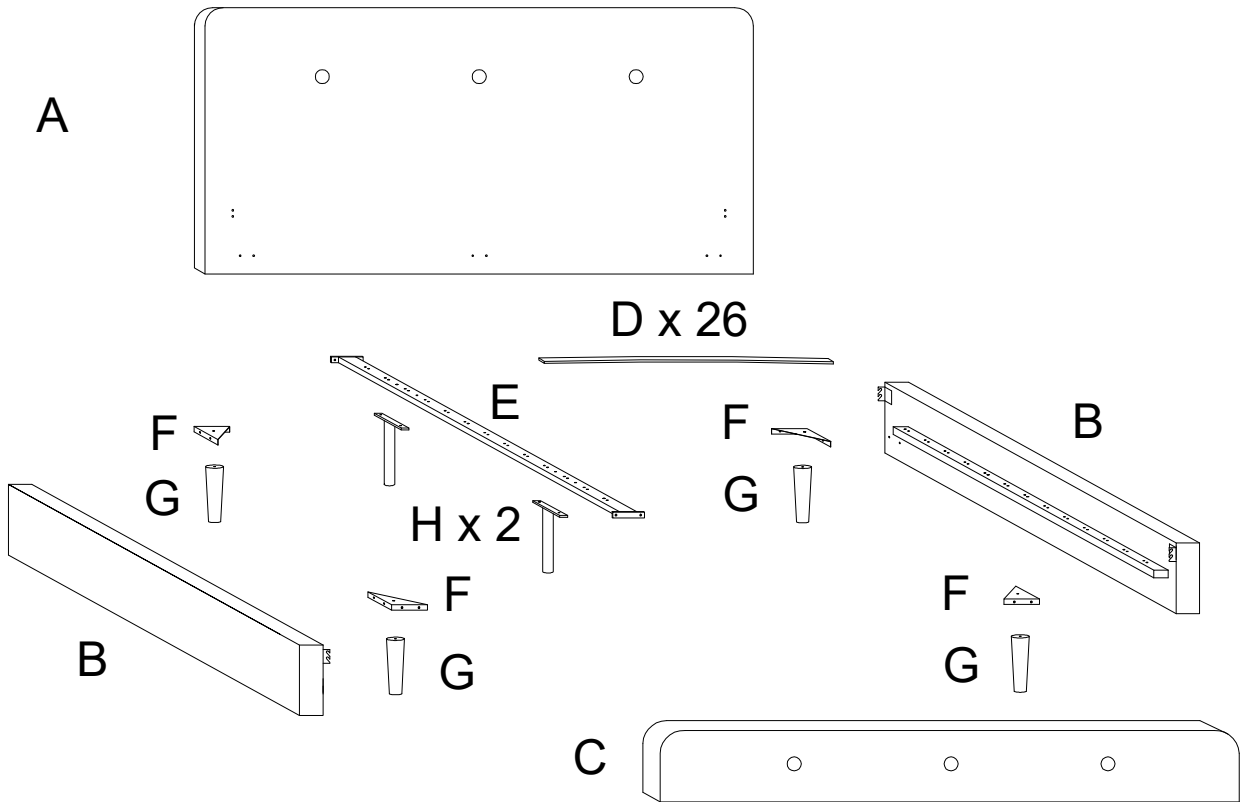



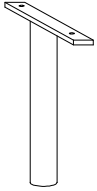
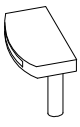
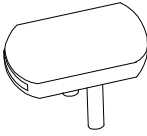

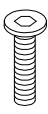
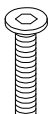

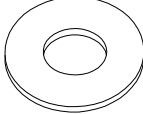
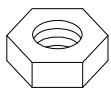

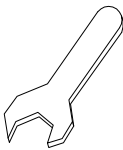
60'






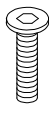

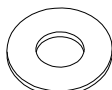
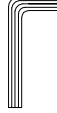
2

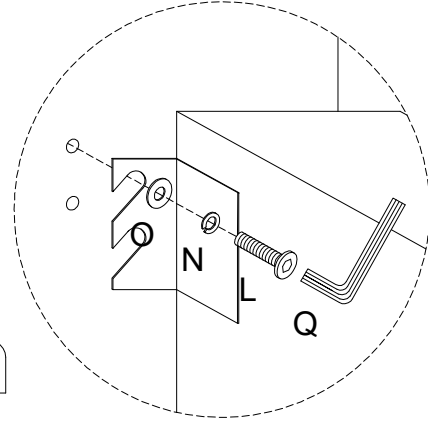
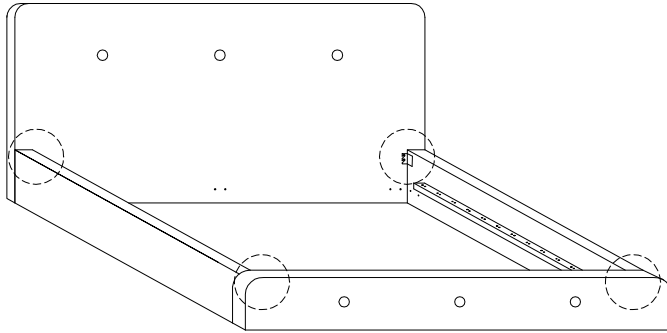
<b>A</b>	<b>B</b>	<b>C</b>	<b>D</b>	<b>E</b>	<b>F</b>
					
<b>x 1</b>	<b>x 2</b>	<b>x 1</b>	<b>x 26</b>	<b>x 1</b>	<b>x 4</b>




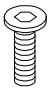

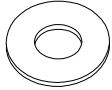

<b>G</b>	<b>H</b>	<b>I</b>	<b>J</b>	<b>K</b>	<b>L</b>
					
<b>x 4</b>	<b>x 2</b>	<b>x 26</b>	<b>x 13</b>	<b>x 16</b>	<b>x 16</b>
<b>M</b>	<b>N</b>	<b>O</b>	<b>P</b>	<b>Q</b>	<b>R</b>
					
<b>x 4</b>	<b>x 28</b>	<b>x 28</b>	<b>x 4</b>	<b>x 1</b>	<b>x 1</b>

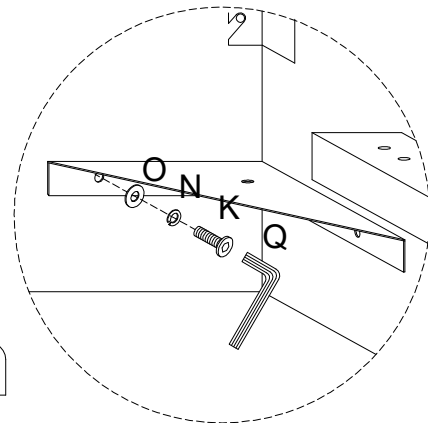
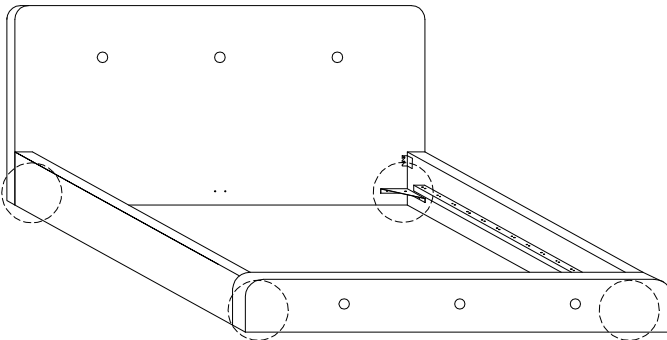
1

<b>A</b>  x 1	<b>B</b>  x 2	<b>C</b>  x 1	<b>L</b>  M8 x 30 x 8	<b>N</b>  x 8	<b>O</b>  x 8	<b>Q</b>  x 1
--	--	--	--	---	--	--

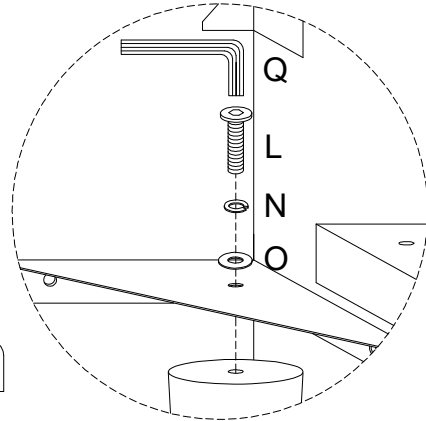
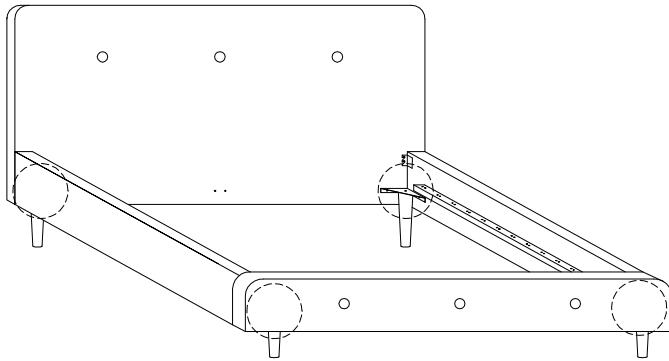
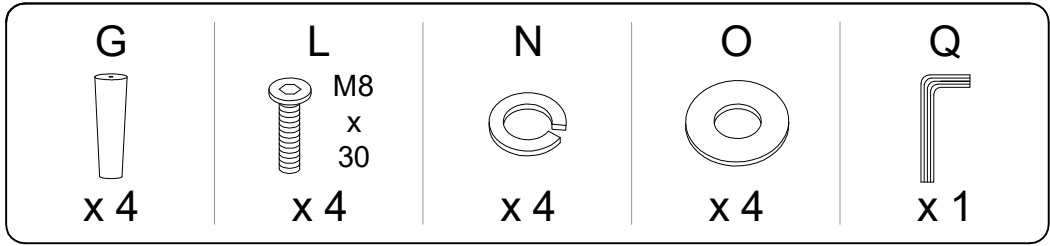


2

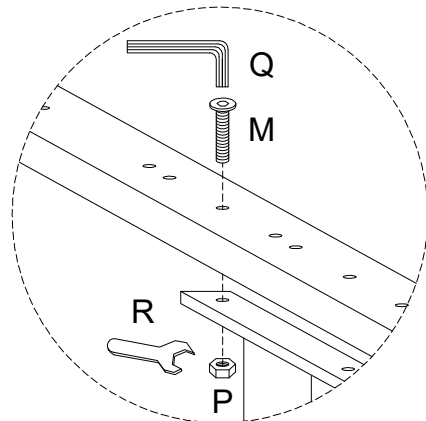
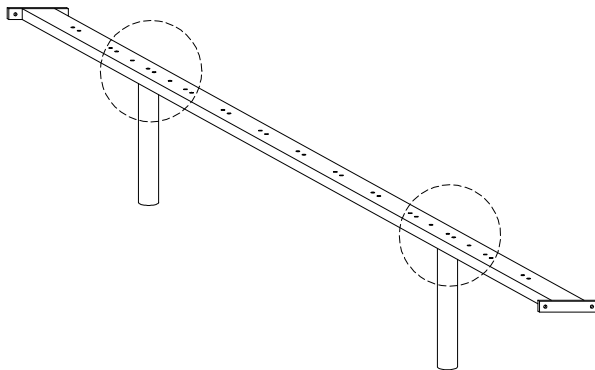
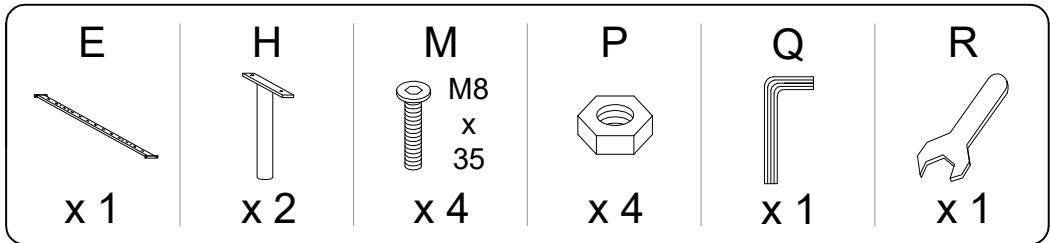
<b>F</b>  x 4	<b>K</b>  M8 x 25 x 16	<b>N</b>  x 16	<b>O</b>  x 16	<b>Q</b>  x 1
--	---	---	---	--



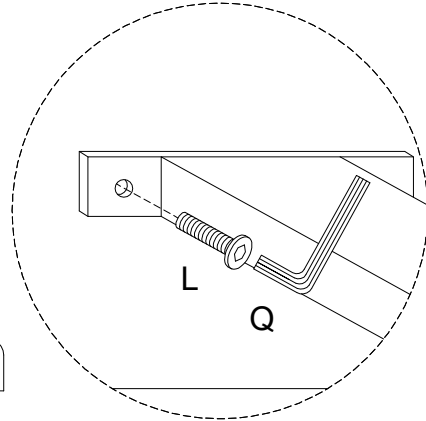
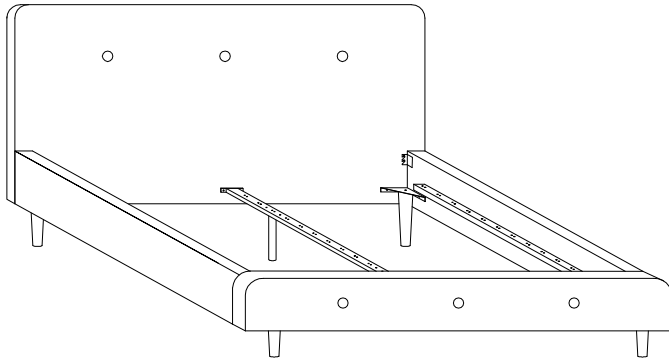
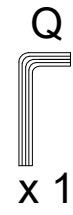
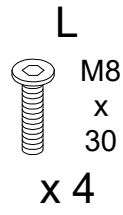
3



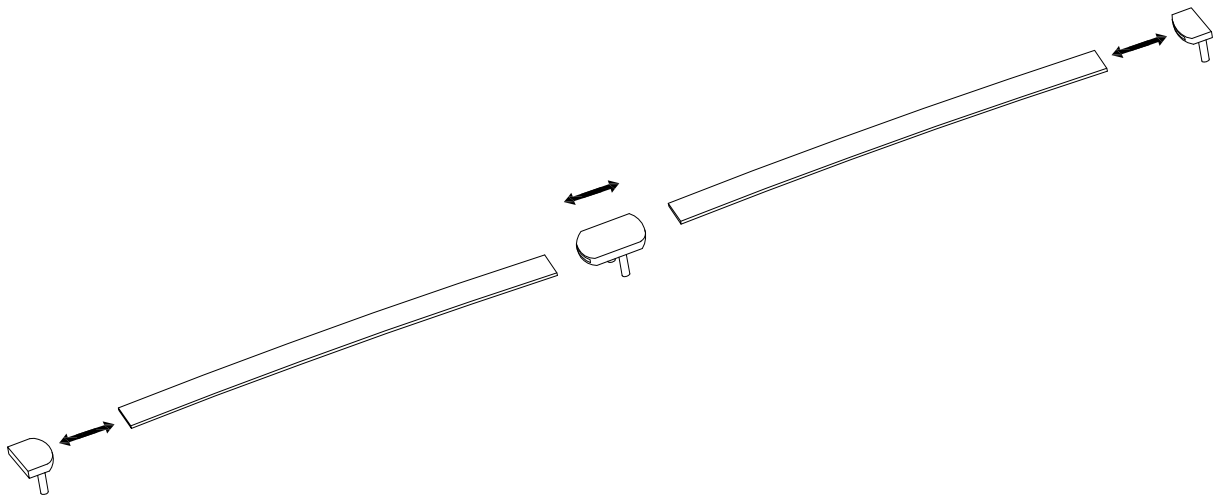
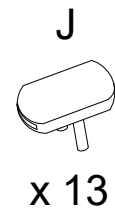
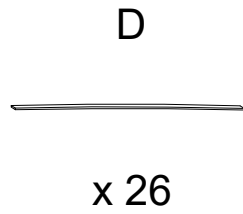
4



5



6



7

