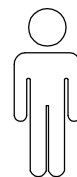
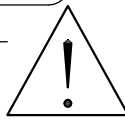
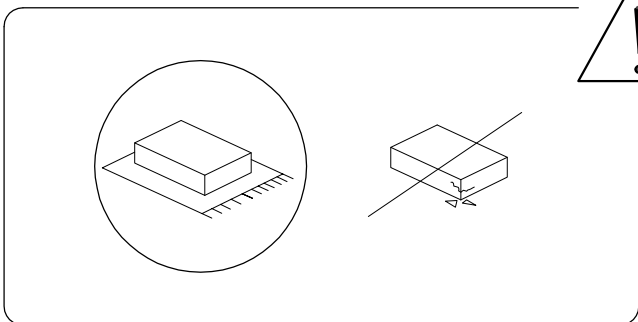
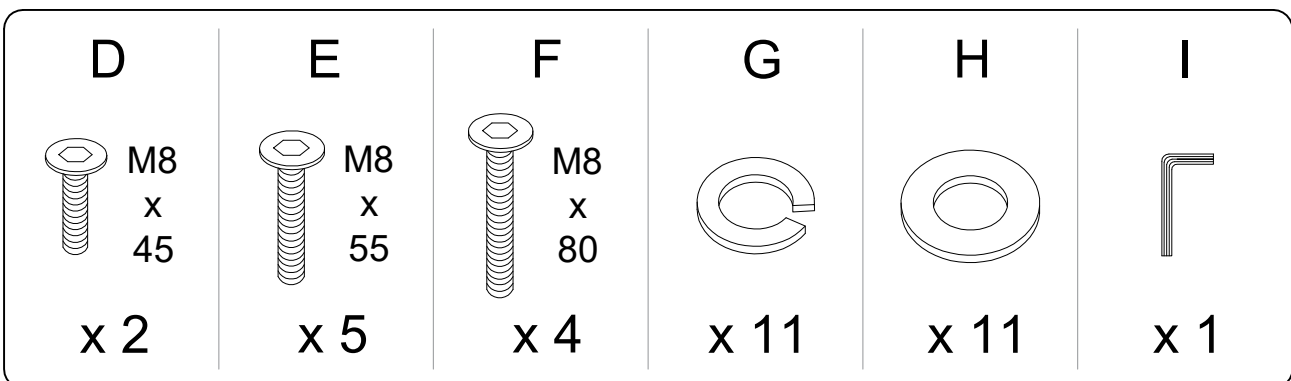
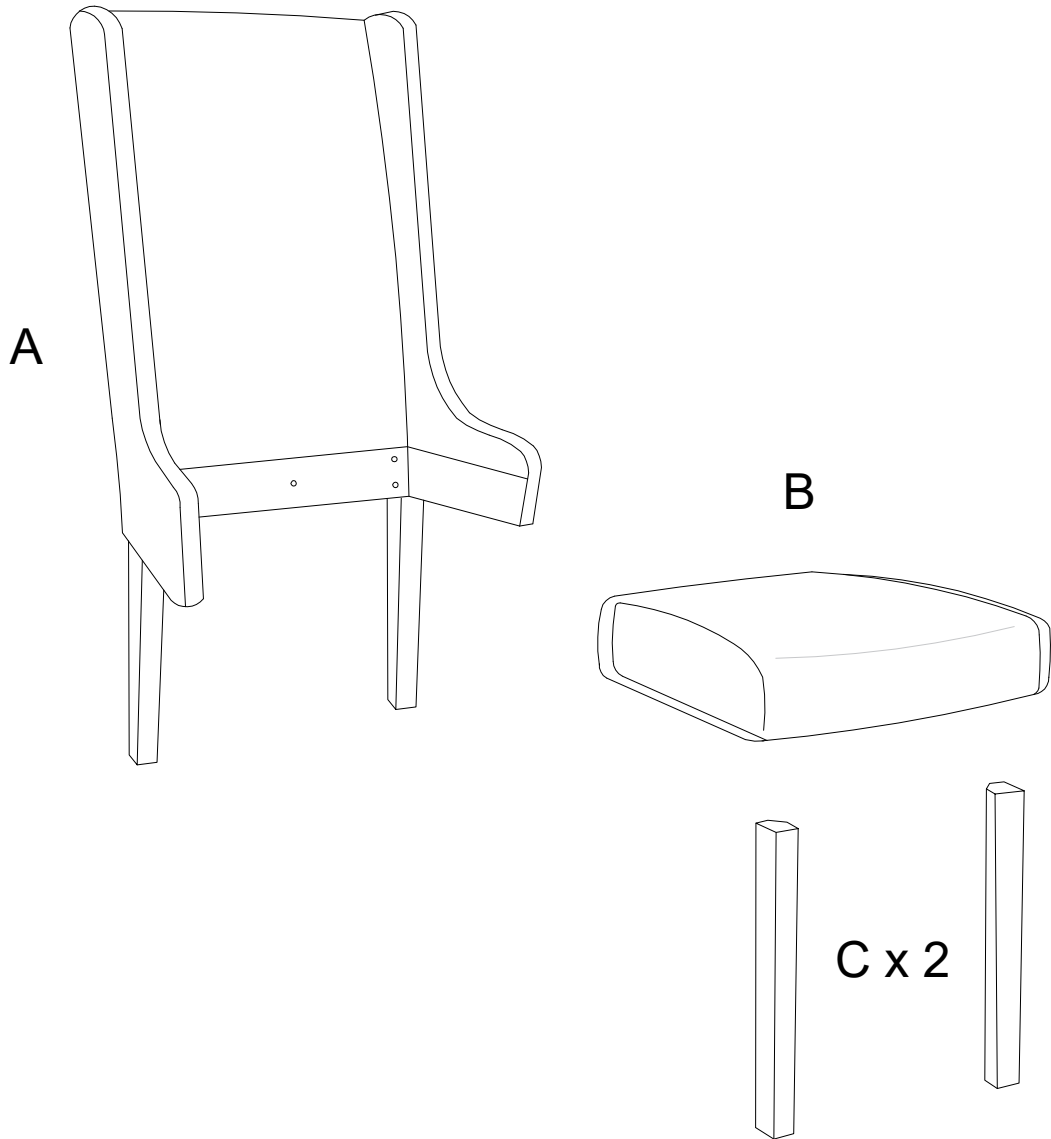
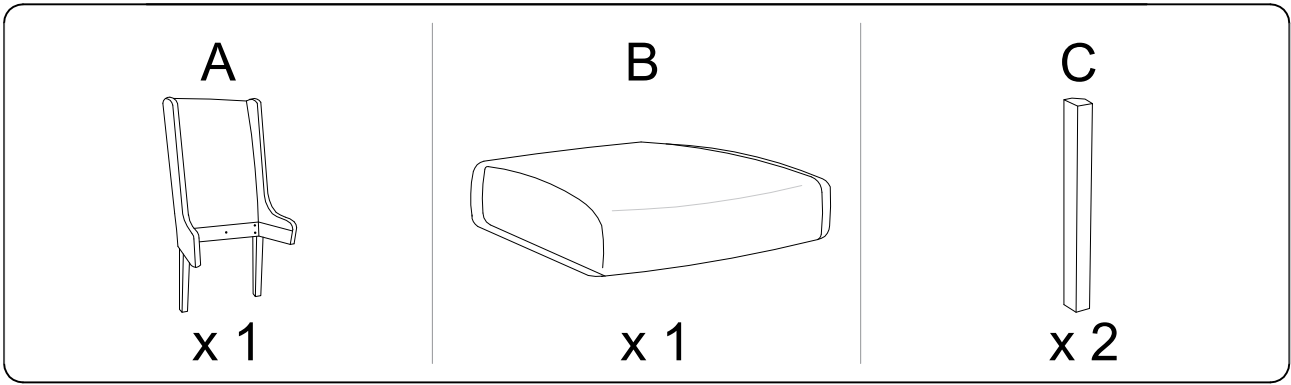


15'

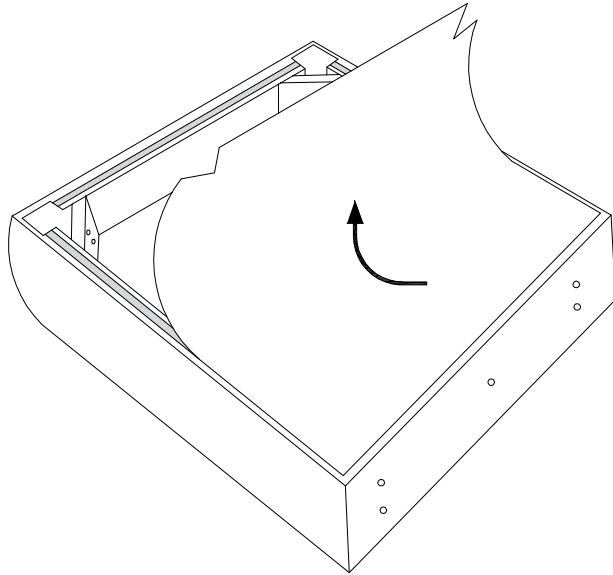
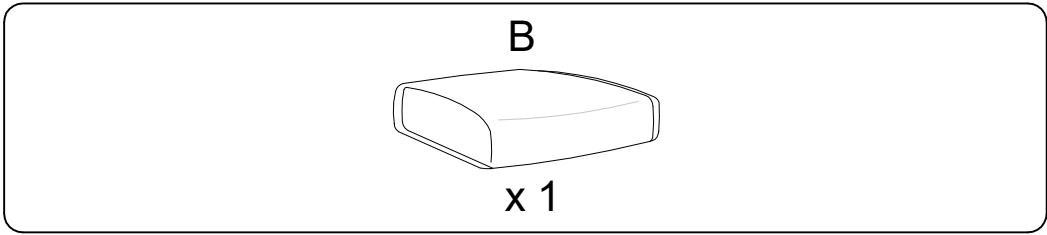


1

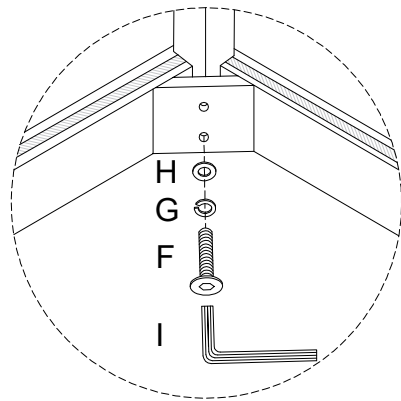
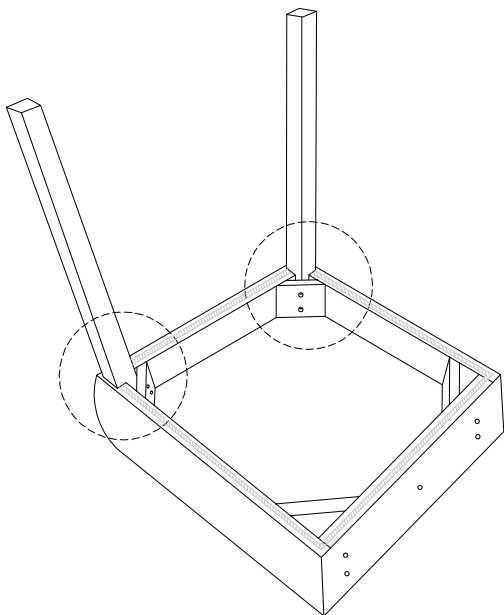
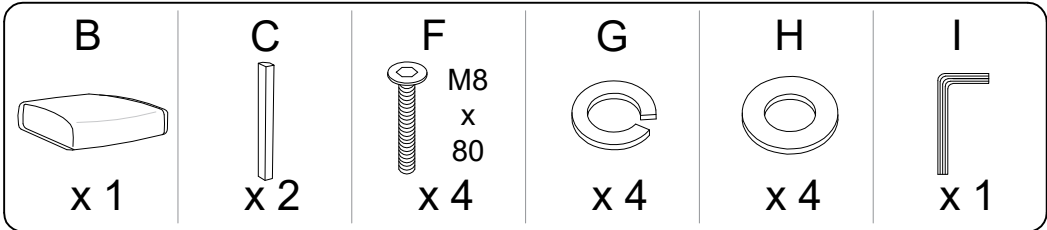
1/5





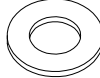
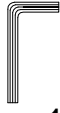
!

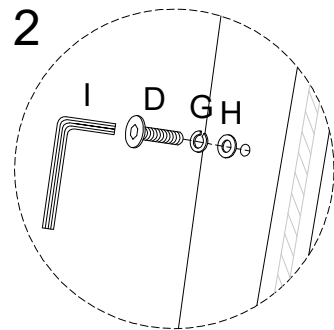
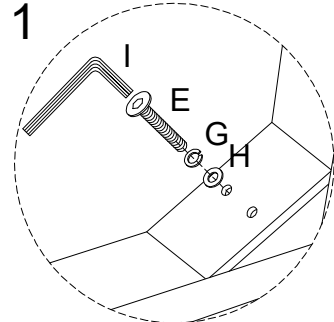
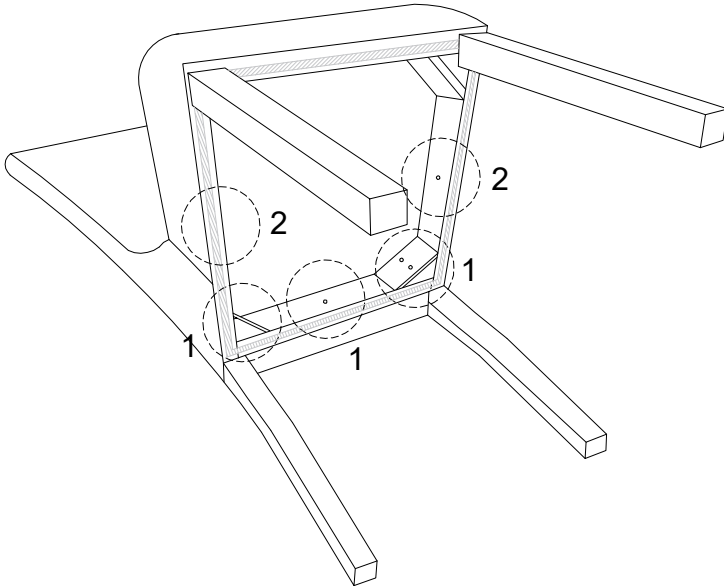


1




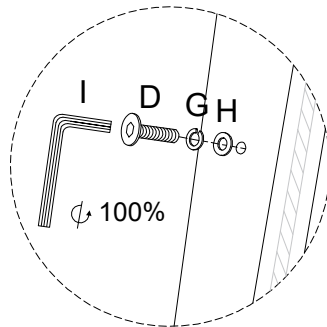
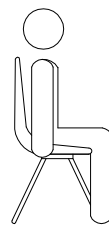
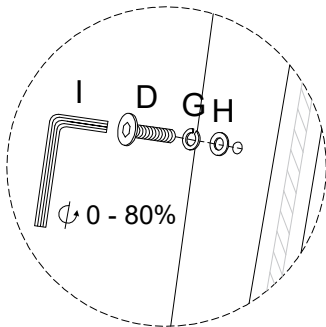
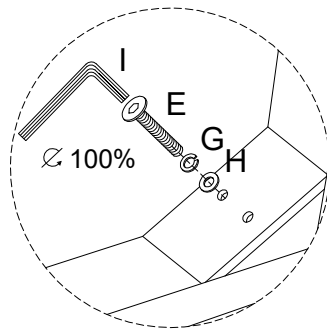
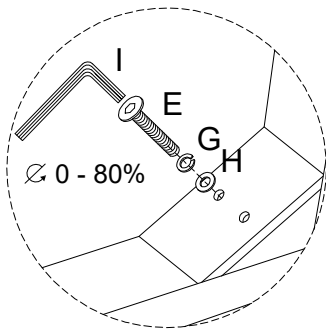
2

A  x 1	D M8 x 45 x 2	E M8 x 55 x 5	G  x 7	H  x 7	I  x 1
--	-------------------------------	-------------------------------	---	--	--



3

I  x 1
--



!

