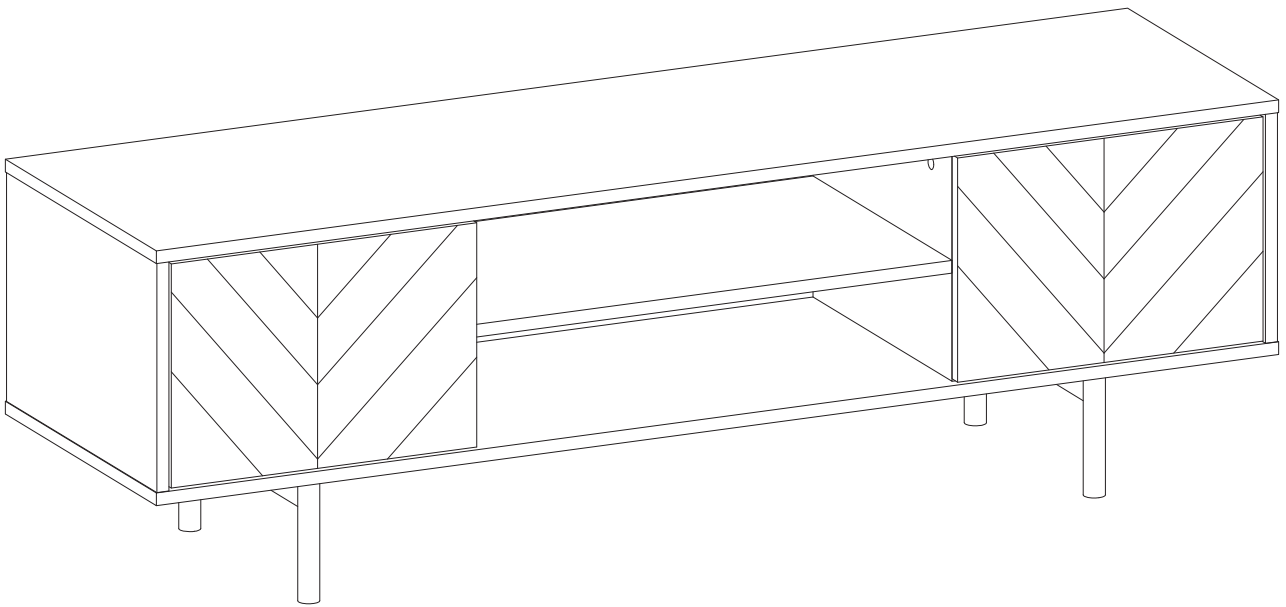
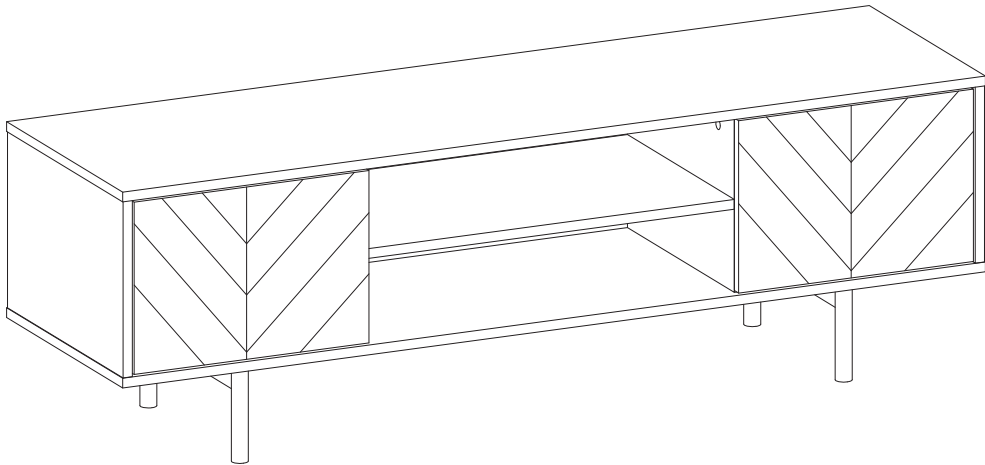
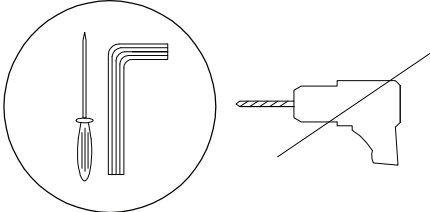

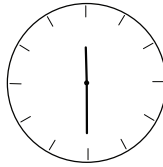
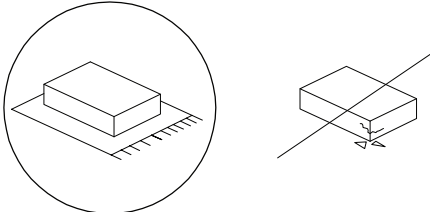


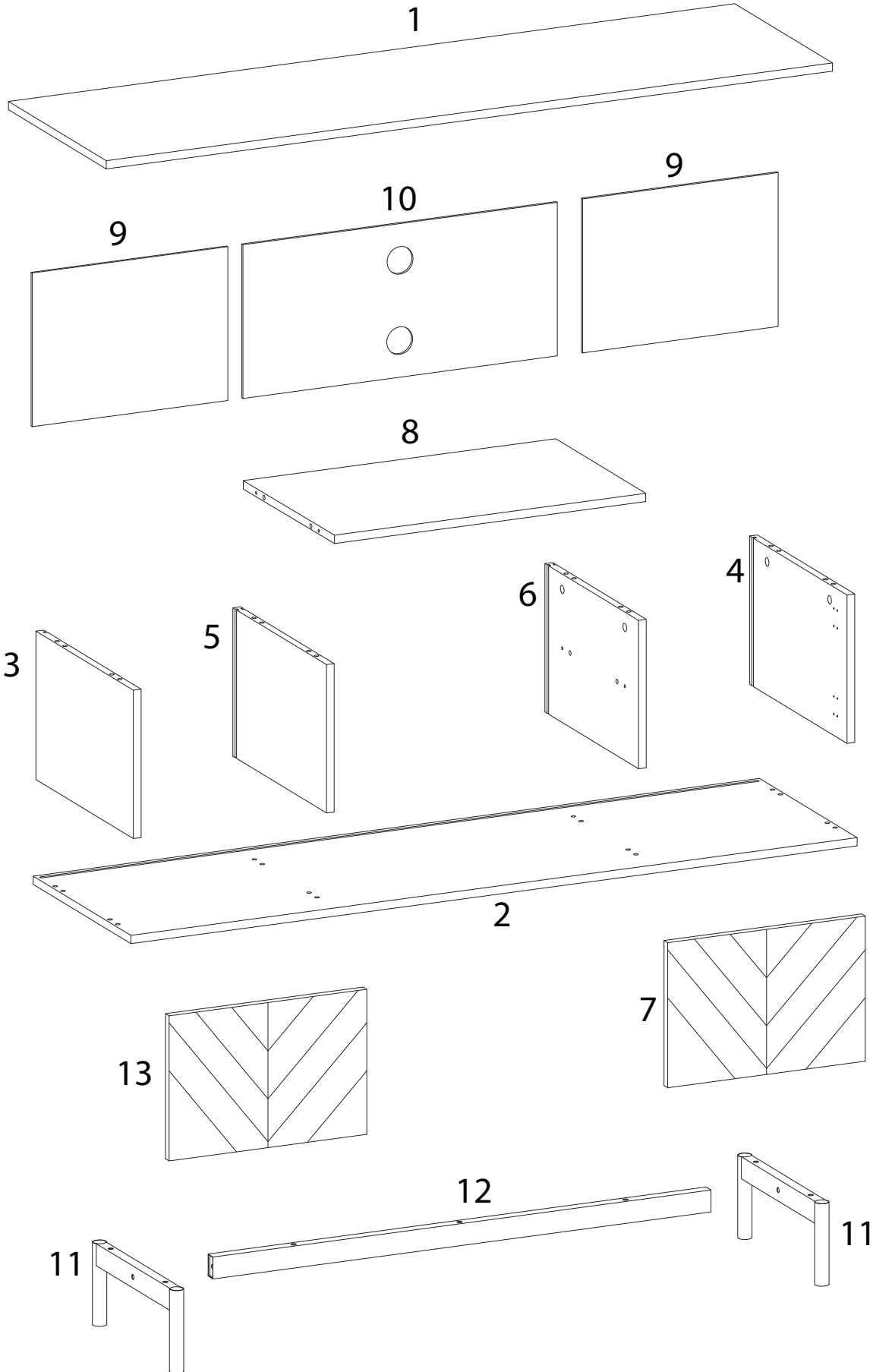


SALINA

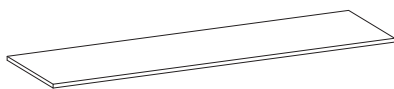




		
		
		2



1



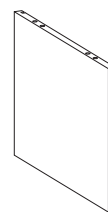
x 1

2



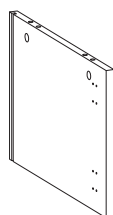
x 1

3



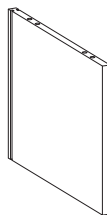
x 1

4



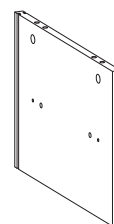
x 1

5



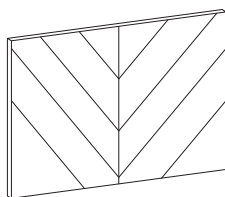
x 1

6



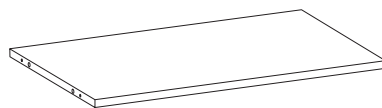
x 1

7



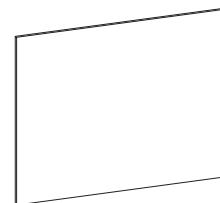
x 1

8



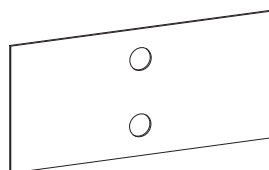
x 1

9



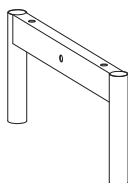
x 2

10



x 1

11



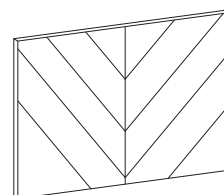
x 2

12



x 1

13



x 1

A



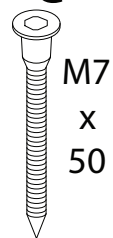
x 12

B



x 12

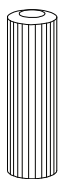
C



M7
x
50

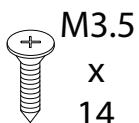
x 8

D



x 20

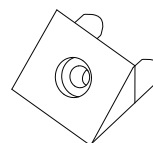
E



M3.5
x
14

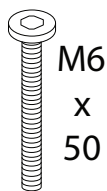
x 36

F



x 12

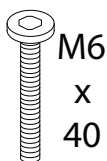
G



M6
x
50

x 7

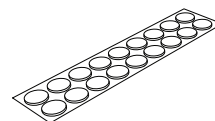
H



M6
x
40

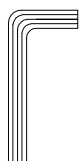
x 2

I



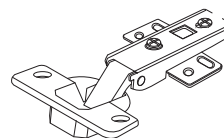
x 8

J



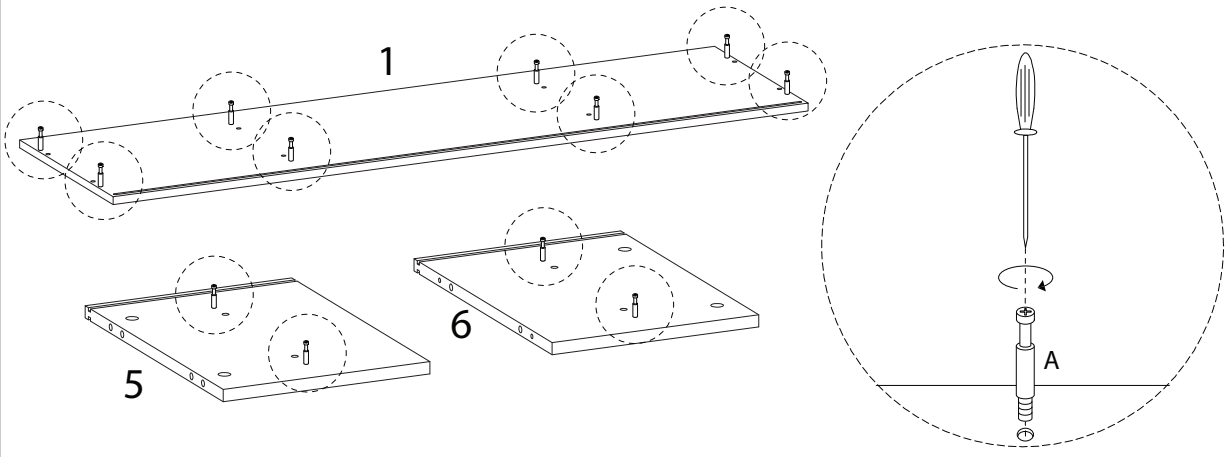
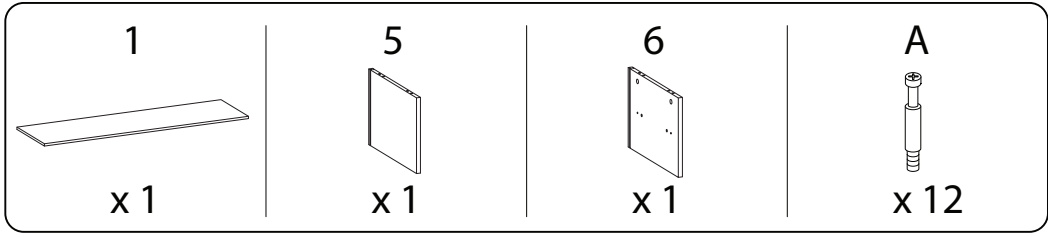
x 1

K

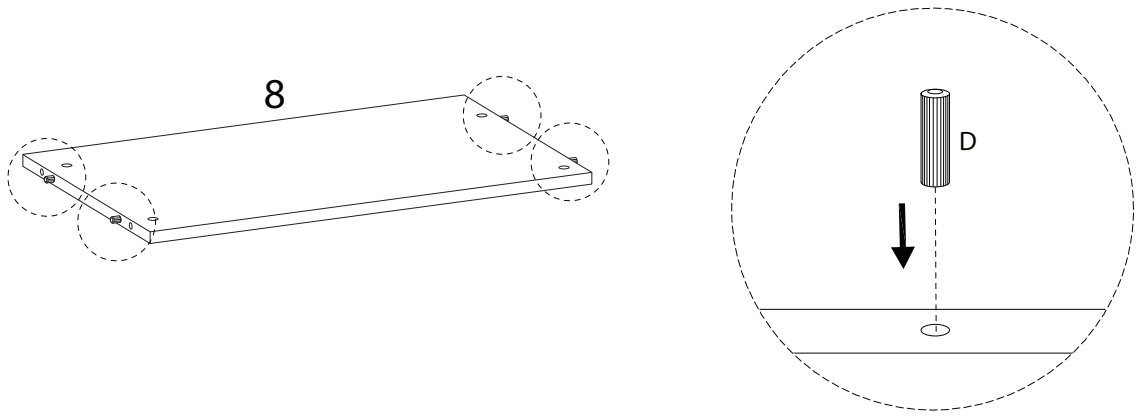
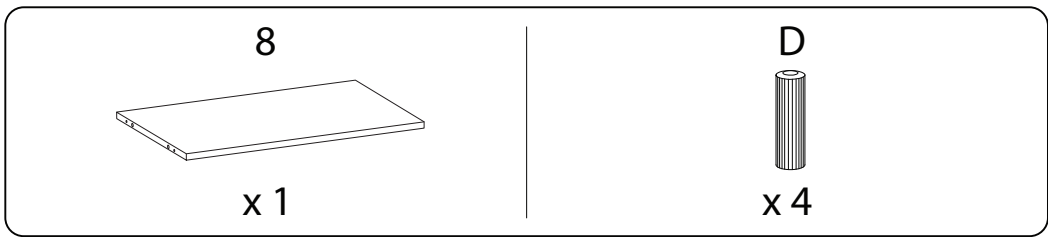


x 4

1



2

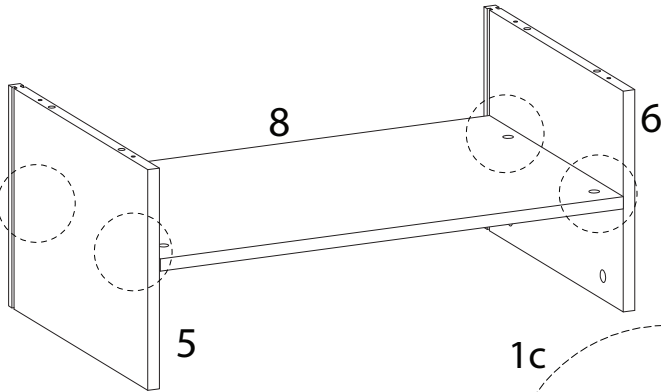


3

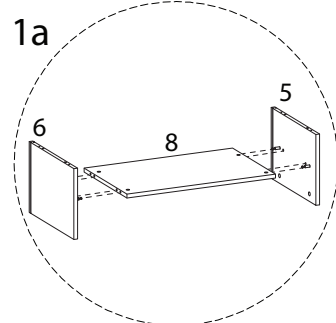
B



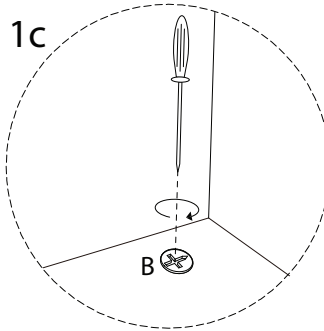
x 4



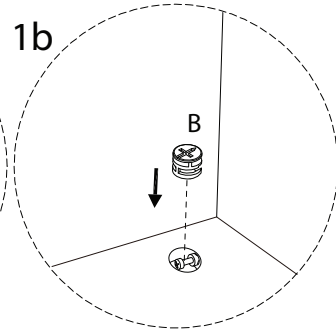
1a



1c

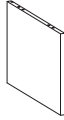


1b



4

3



x 1

4

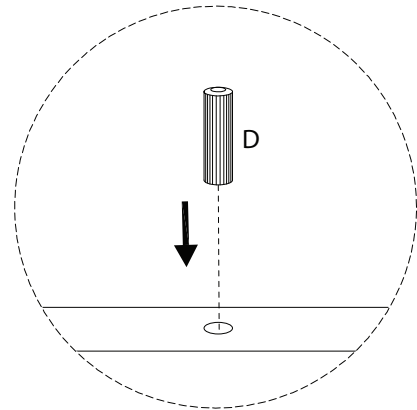
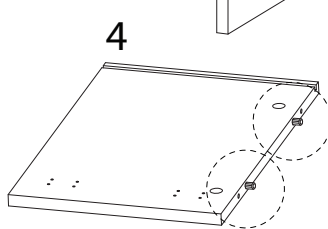
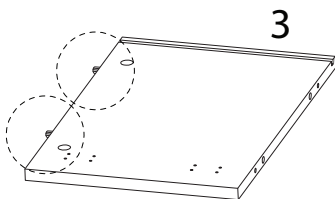
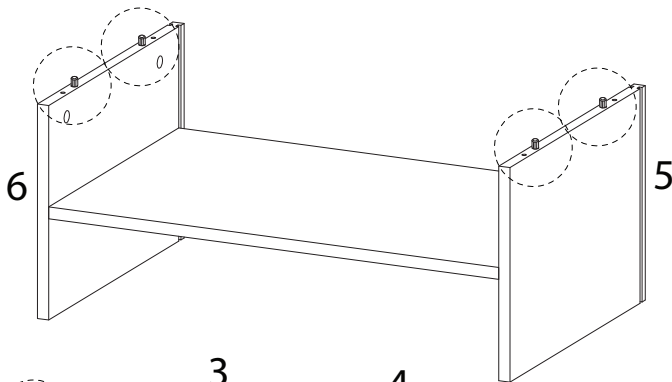


x 1

D



x 8

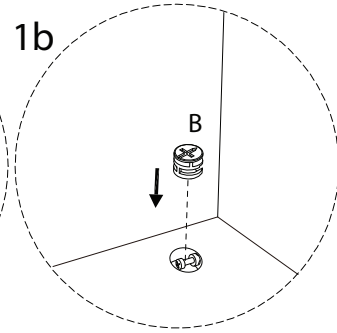
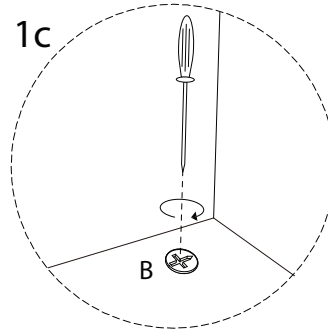
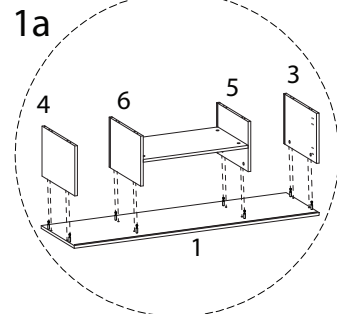
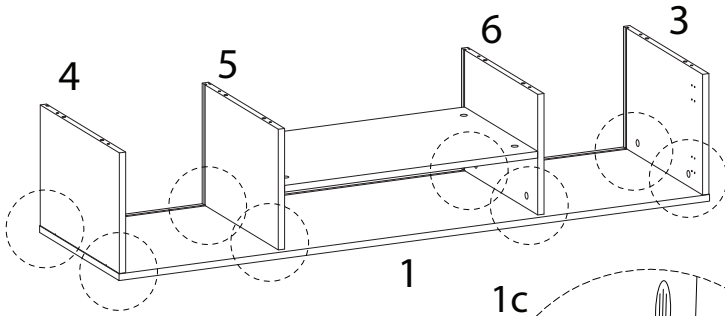


5

B

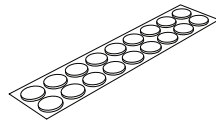


x 8

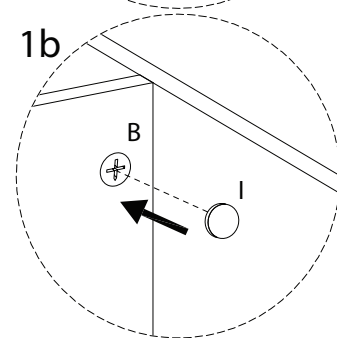
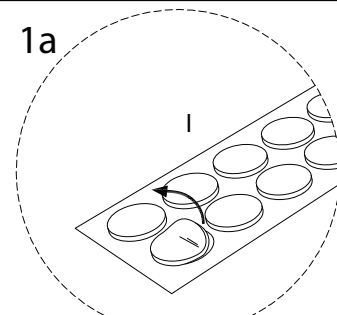
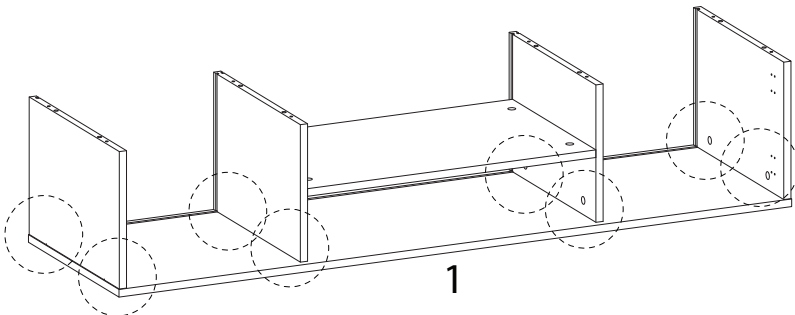


6

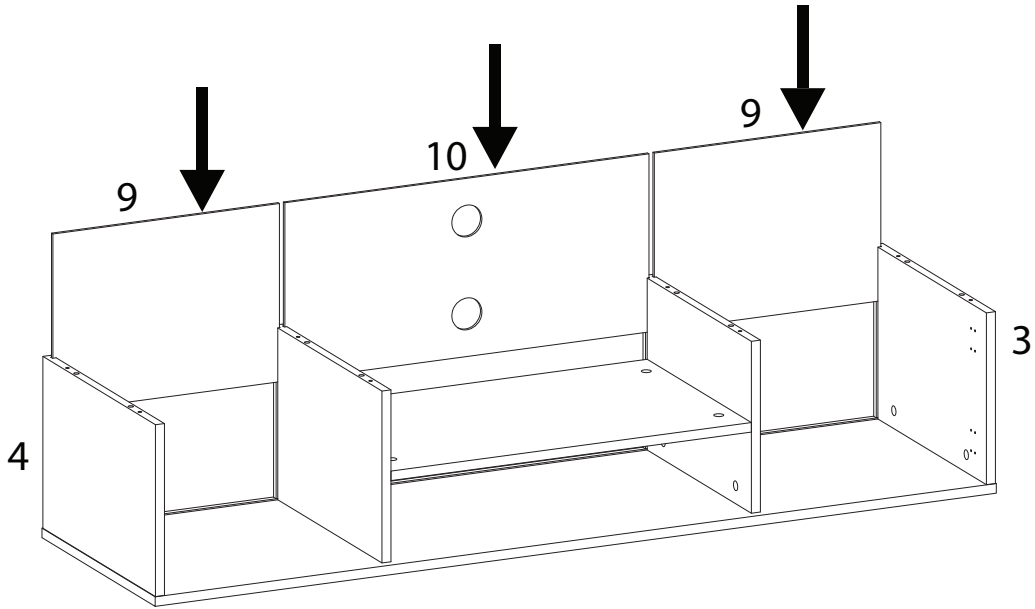
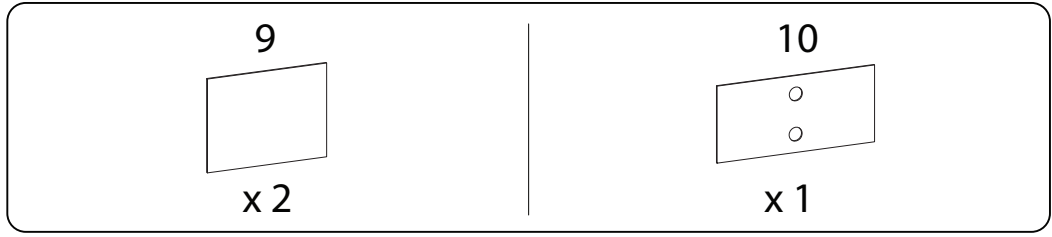
I



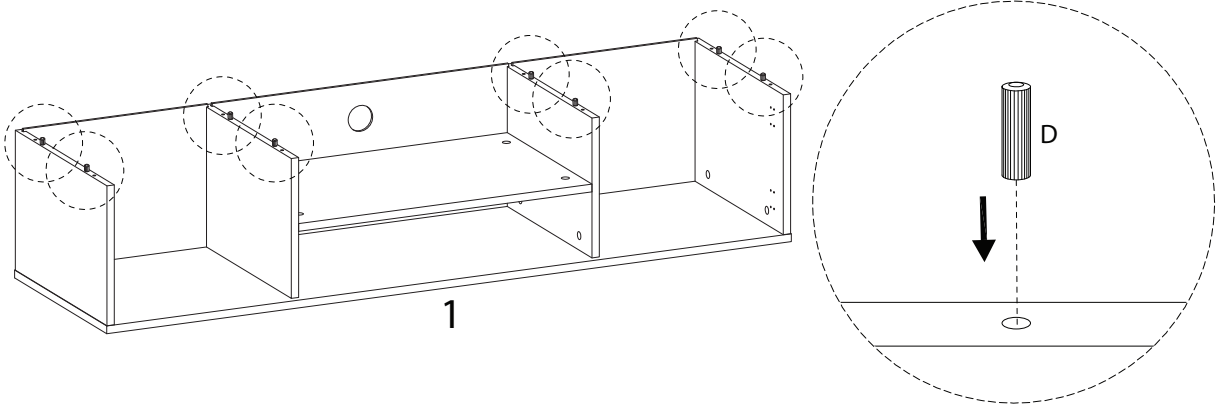
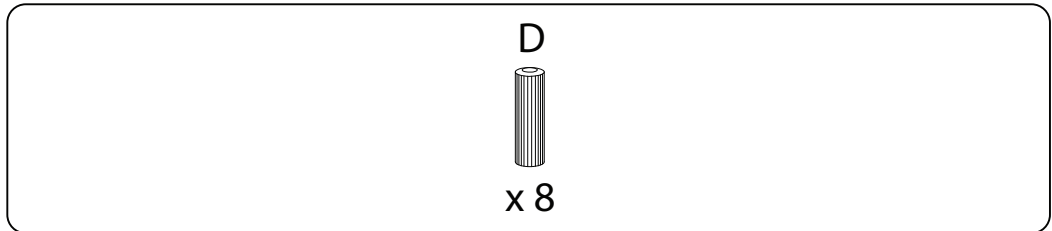
x 8



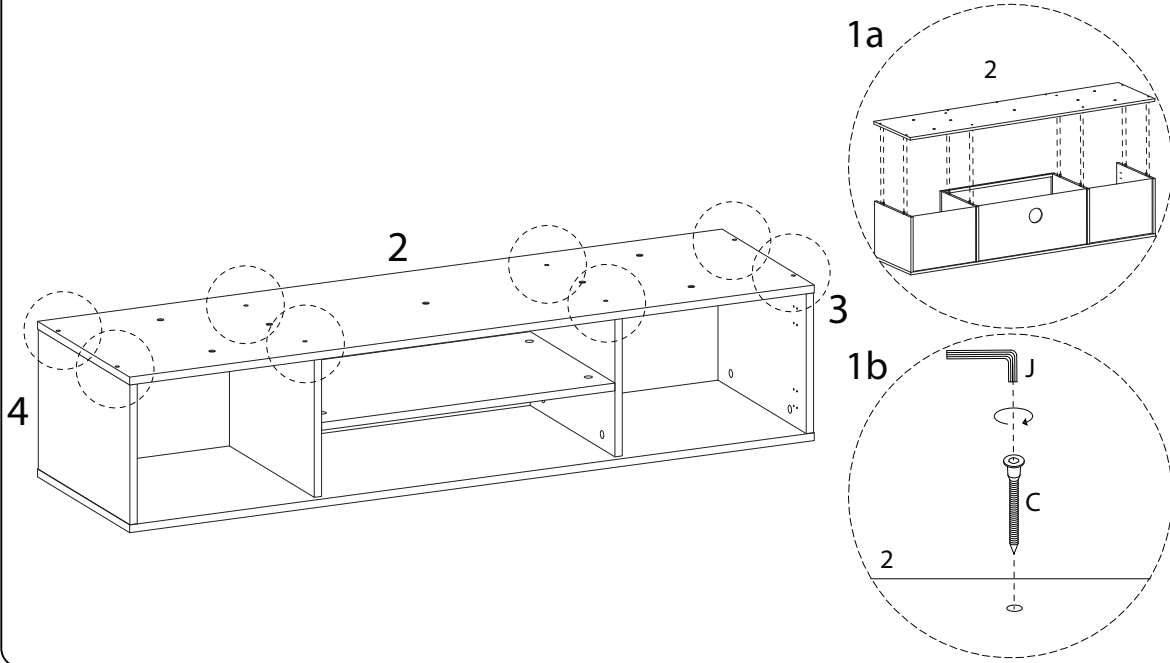
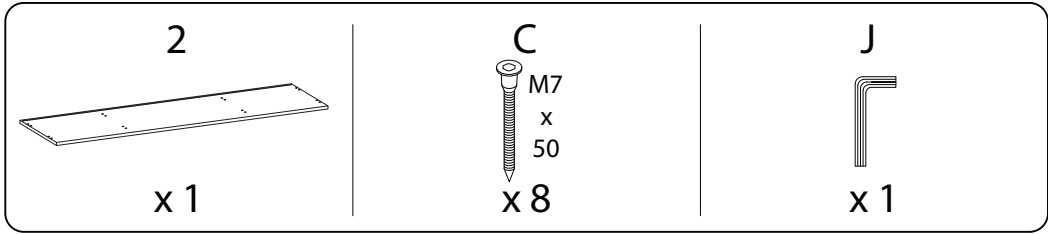
7



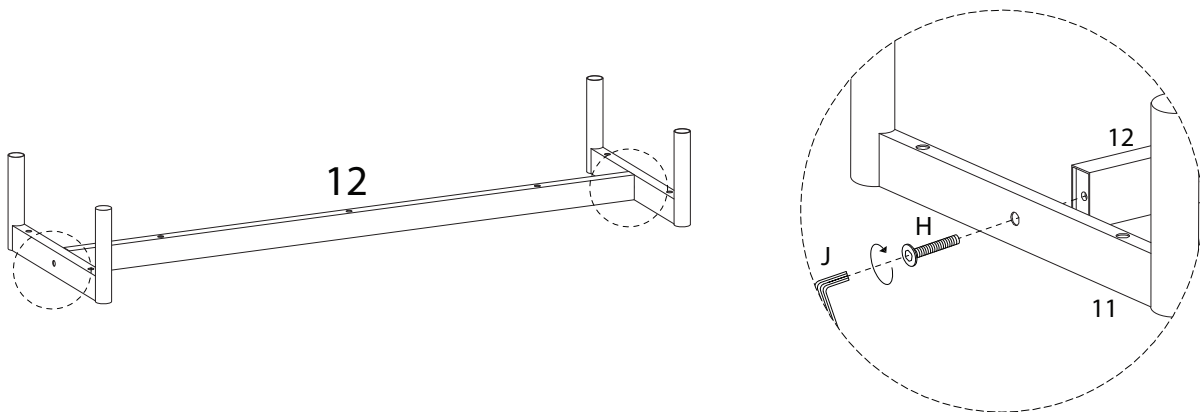
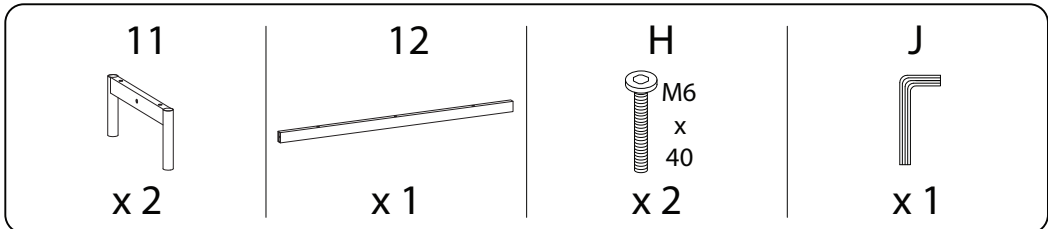
8



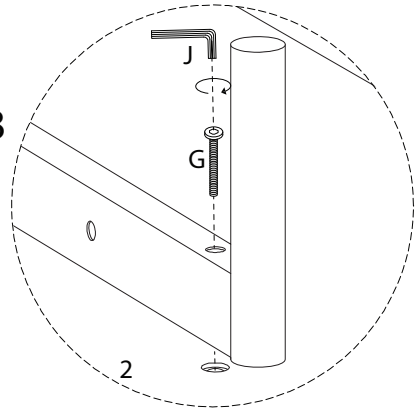
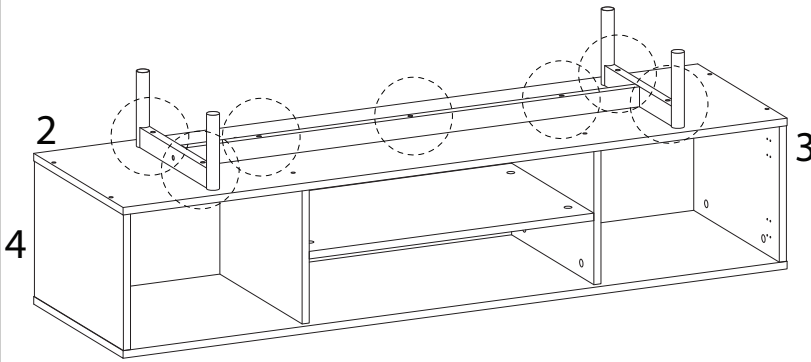
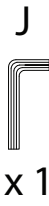
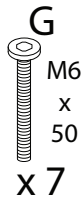
9



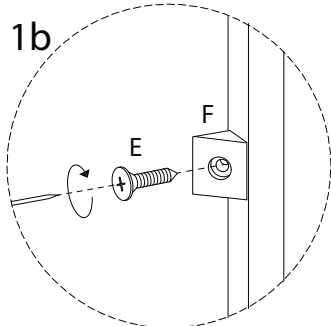
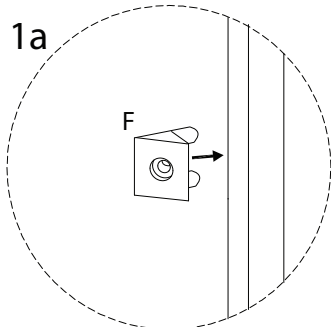
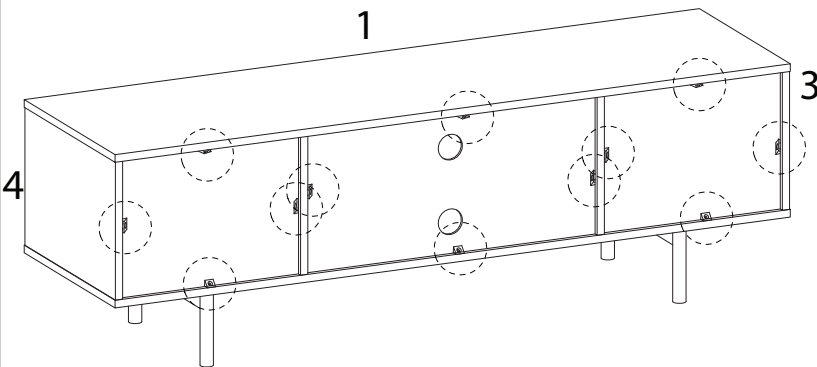
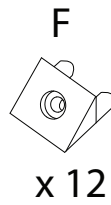
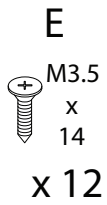
10



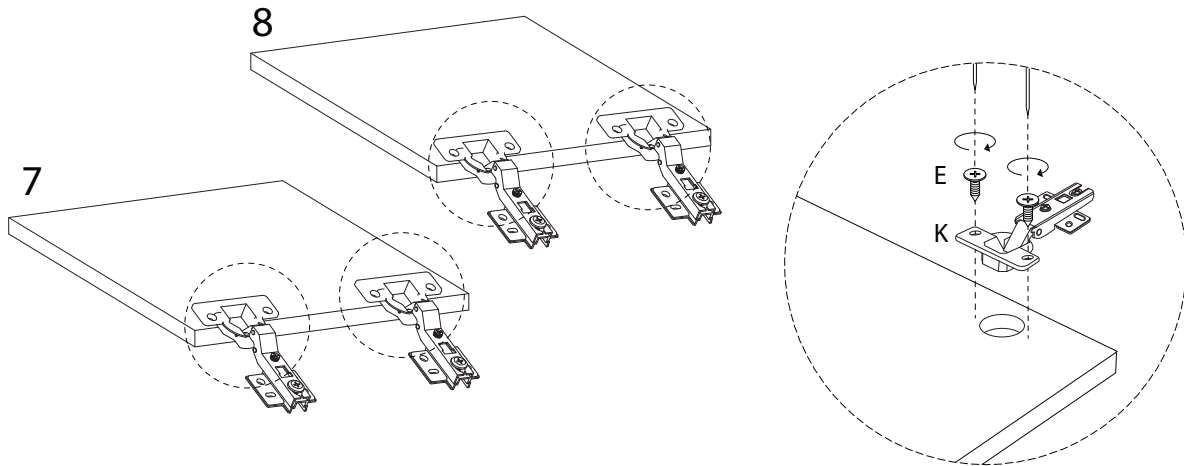
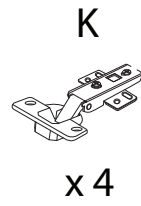
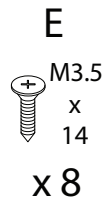
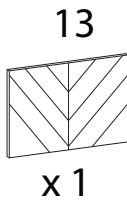
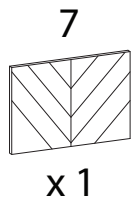
11



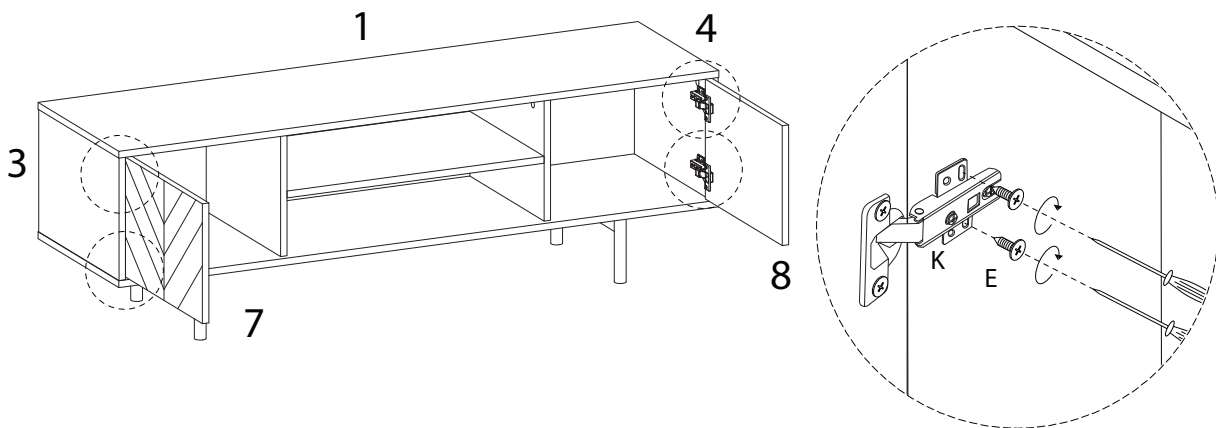
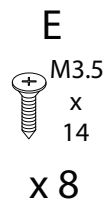
12



13



14



15

