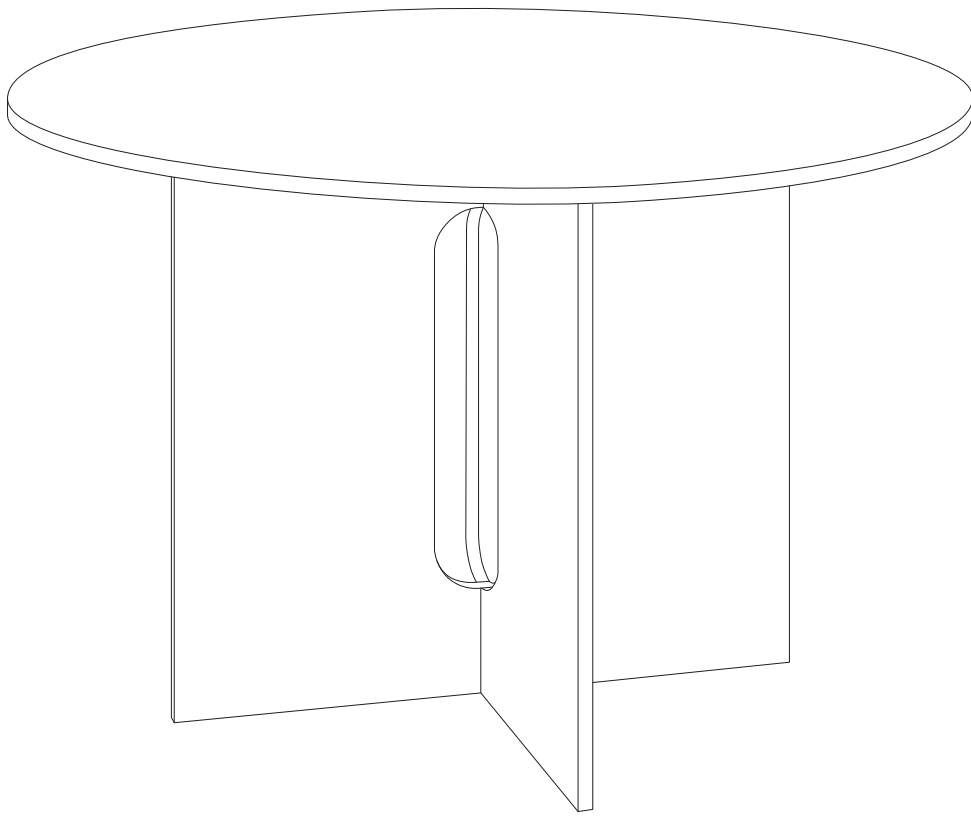
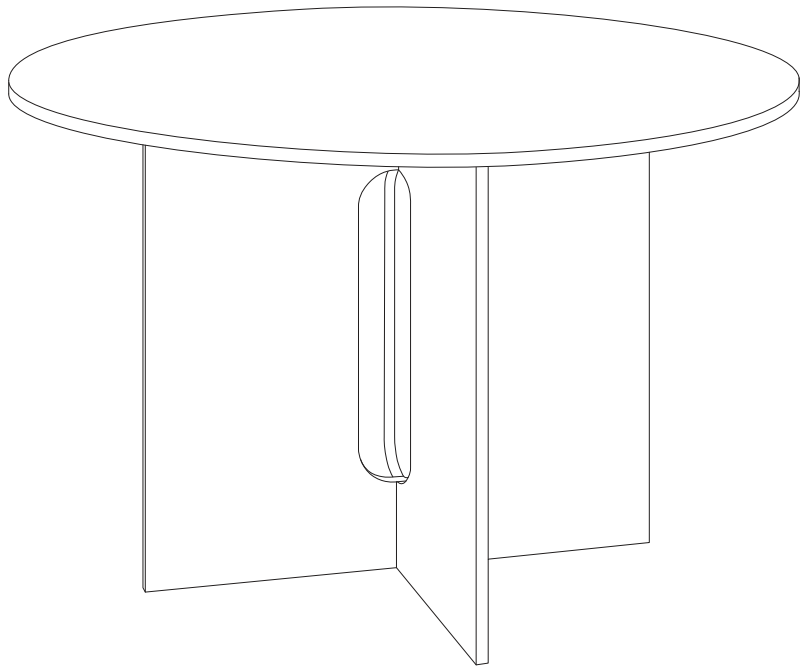


CORAIL





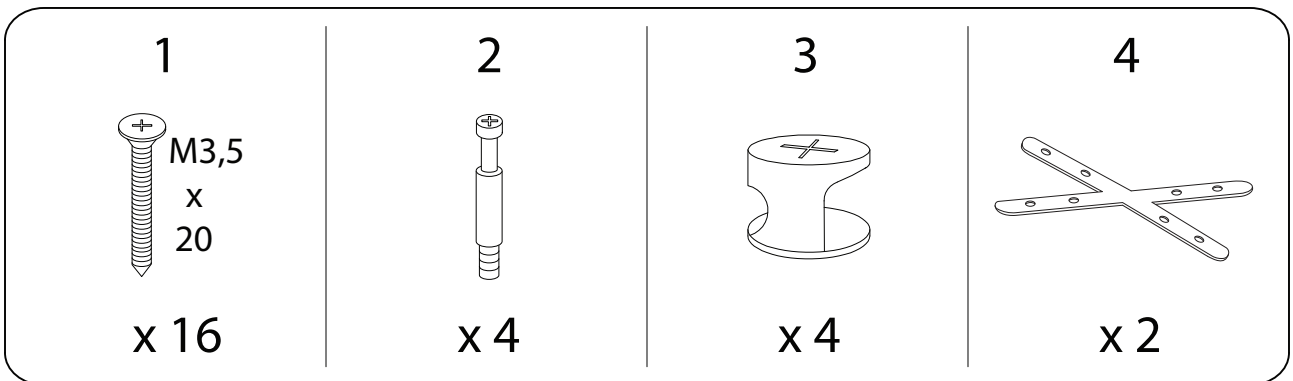
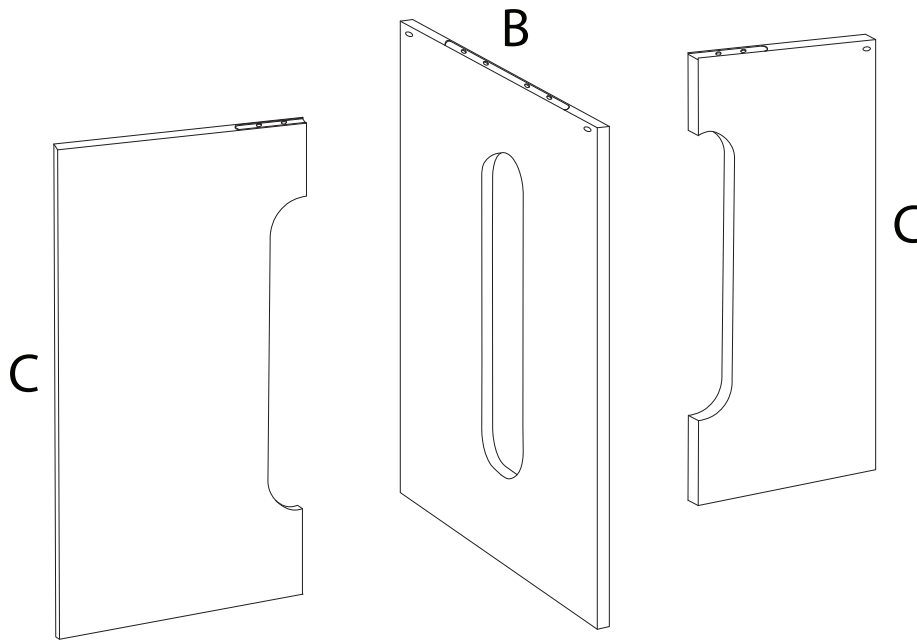
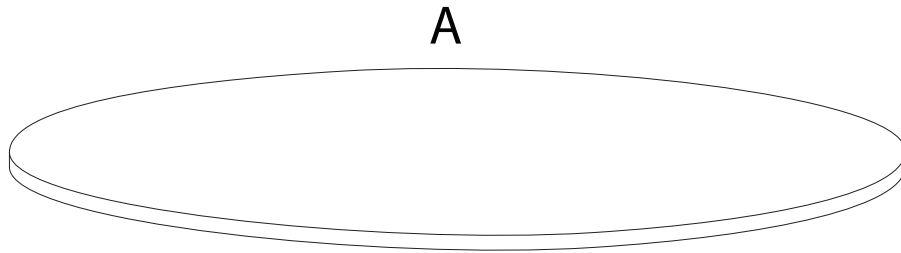
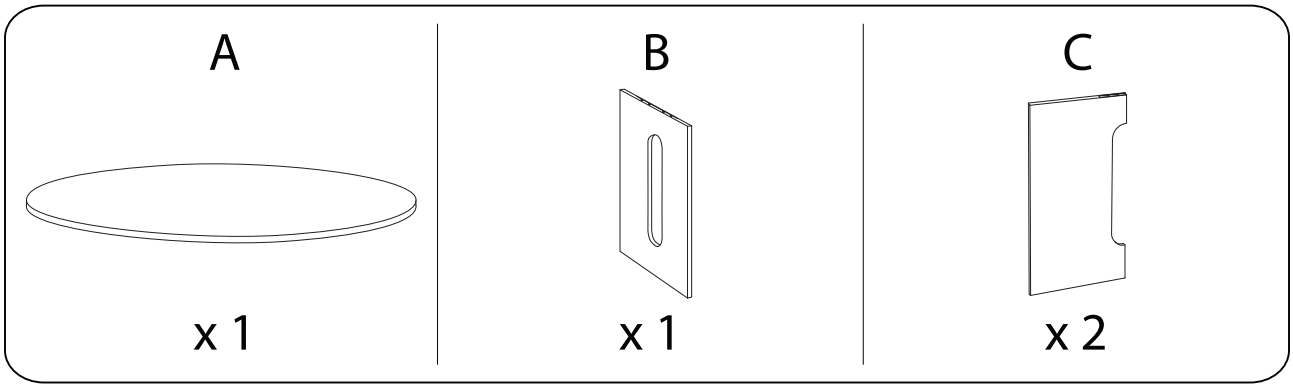
Assembly instructions for the table, including tool requirements, time, and personnel.

Tools: A circular icon shows a screwdriver. A power drill icon is crossed out with a diagonal line, indicating it is not to be used. A warning triangle with an exclamation mark is positioned to the right of these icons.

Time: A clock icon is shown, with the number **40'** below it, indicating the estimated assembly time.

Personnel: A stick figure icon is shown, with the number **2** below it, indicating that two people are required for assembly.

1/4



1

B



x 1

C



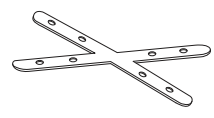
x 2

1

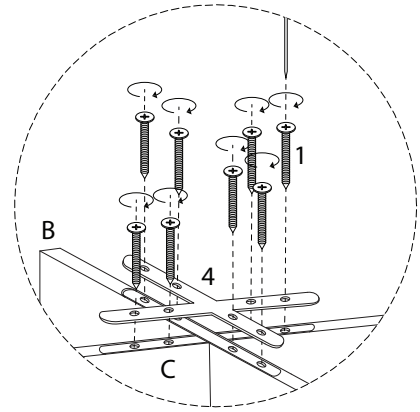
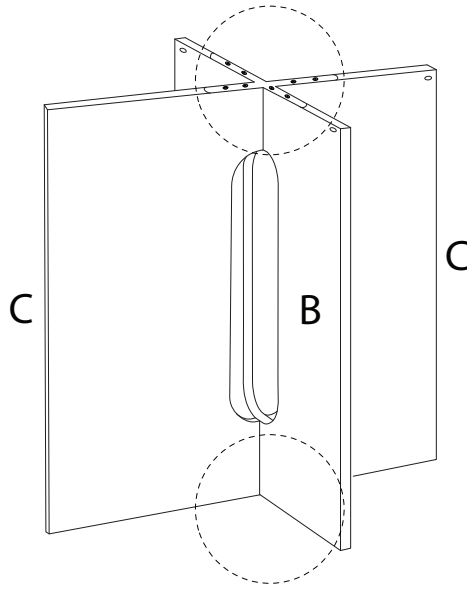


x 16

4



x 2



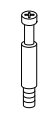
2

A

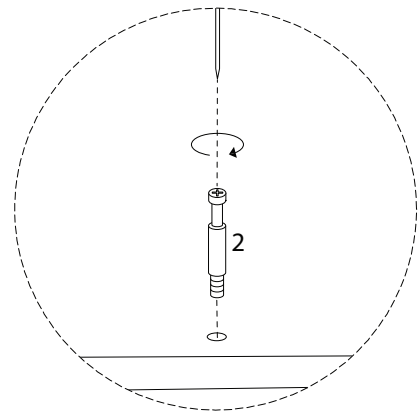
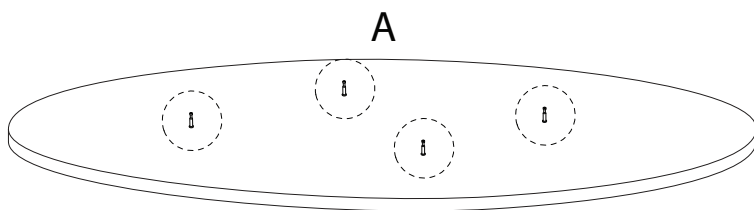


x 1

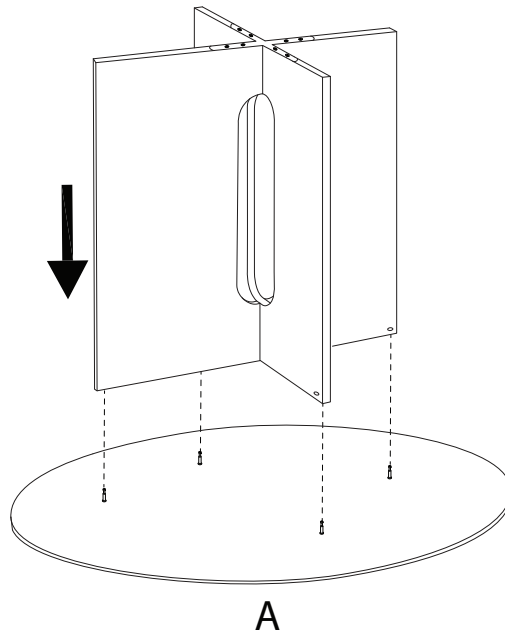
2



x 4



3



4

3



x 4

