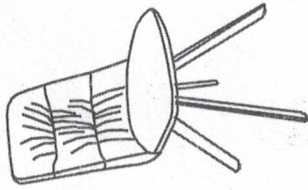
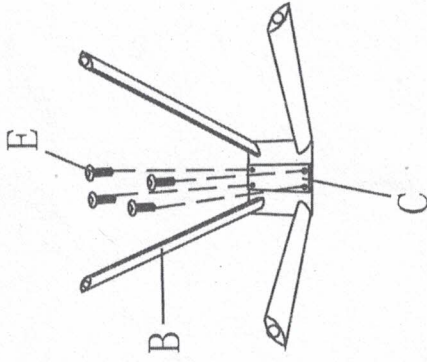


ASSEMBLY INSTRUCTION

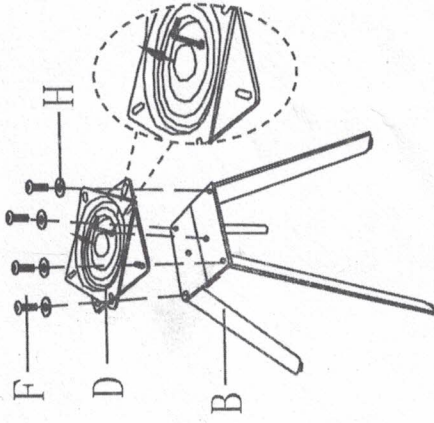


ITEM	PART	NAME	QUANTITY
(A)		SEAT	1
(B)		LEG	2
(C)		IRON SHEET	1
(D)		TURNPLATE	1
(E)		BOLT M8*12	4
(F)		BOLT M6*16	4
(G)		BOLT M6*20	4
(H)		WASHER	8
(I)		ALLEN KEY	1

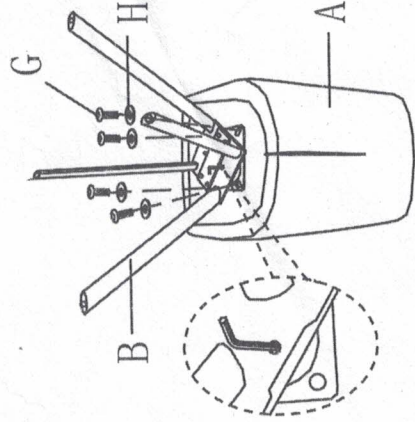
STEP 1:



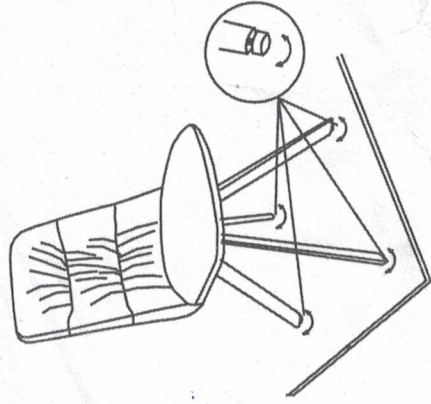
STEP 2:



STEP 3:



STEP 4:



NOTE:

PLEASE PUT THE CHAIR ONTO A SOFT AND CLEAN SURFACE FOR ASSEMBLY.