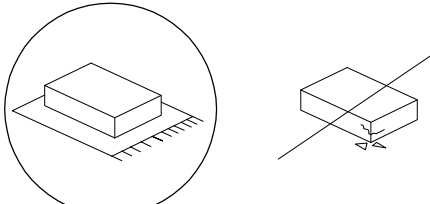
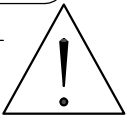
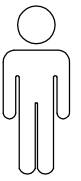
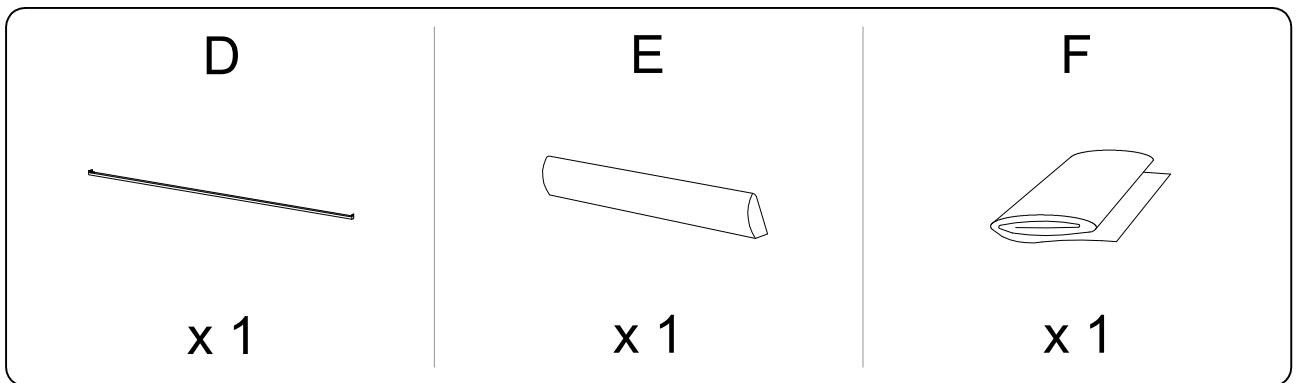
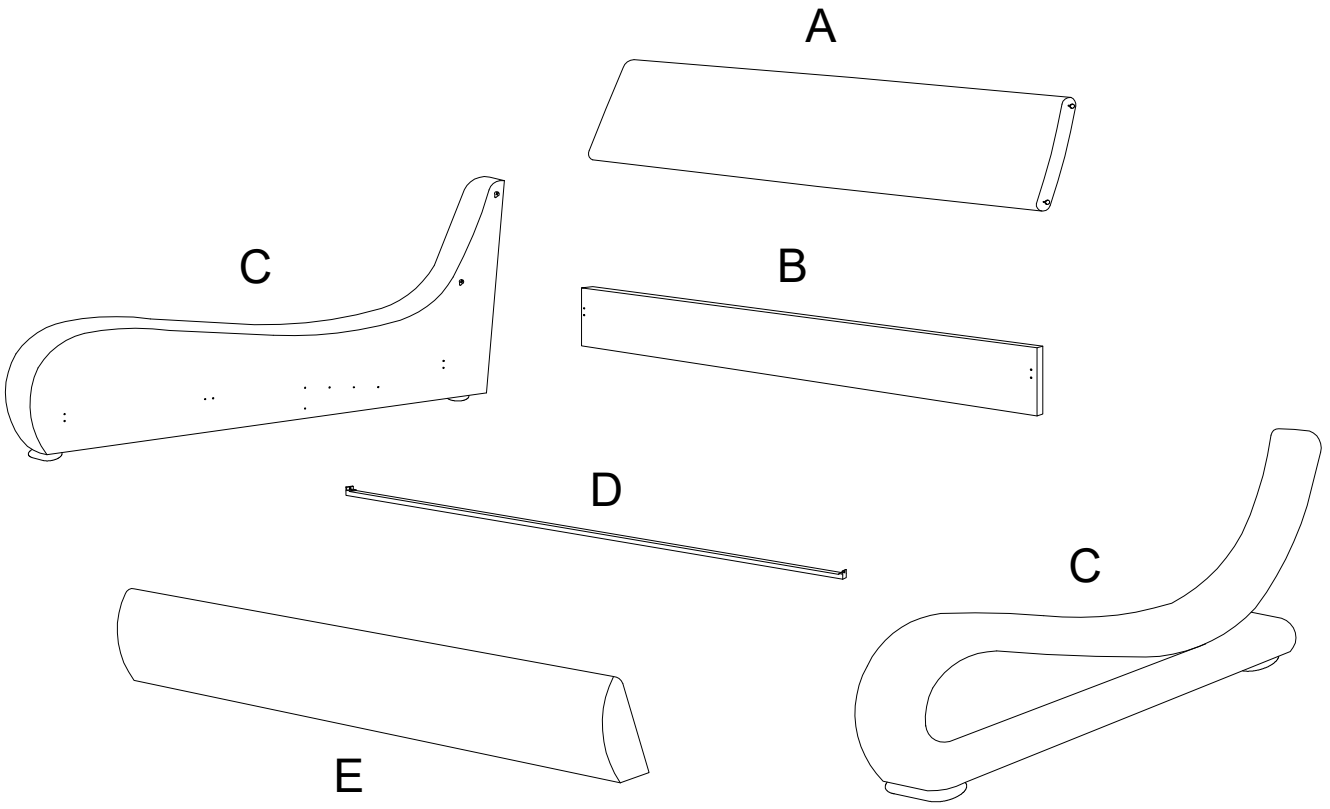
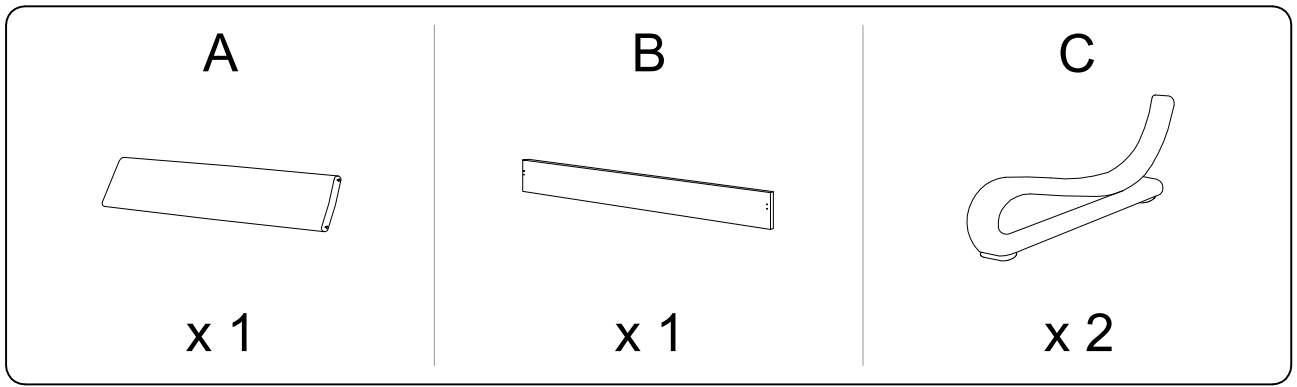

		60'
		
		2

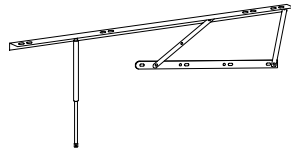


G



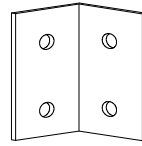
x 2

H



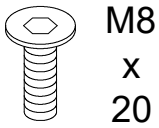
x 2

I



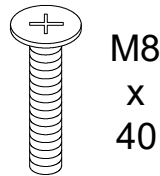
x 6

J



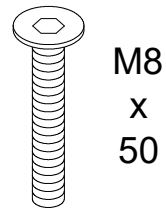
x 22

K



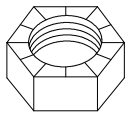
x 8

L



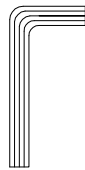
x 4

M



x 4

N



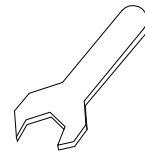
x 1

O



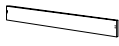

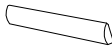
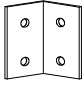


x 1

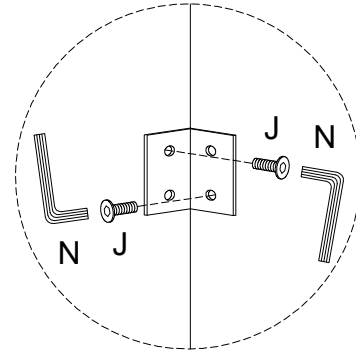
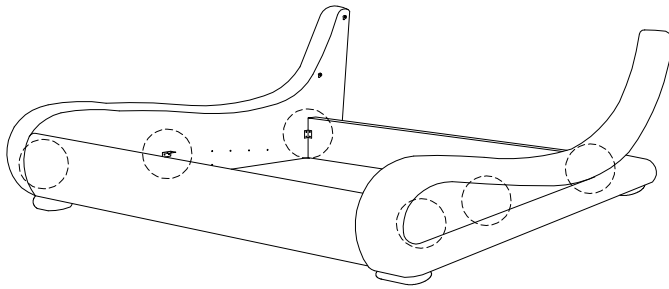
P






x 1

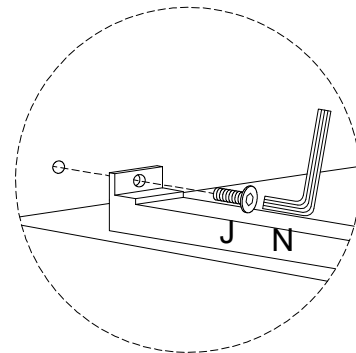
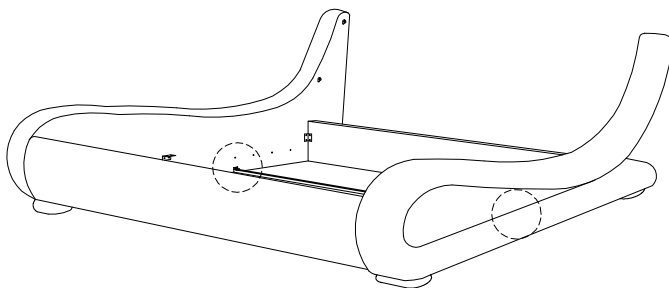
1

B  x 1	C  x 2	E  x 1	I  x 6	J  M8 x 20 x 20	N  x 1
--	--	--	---	--	--

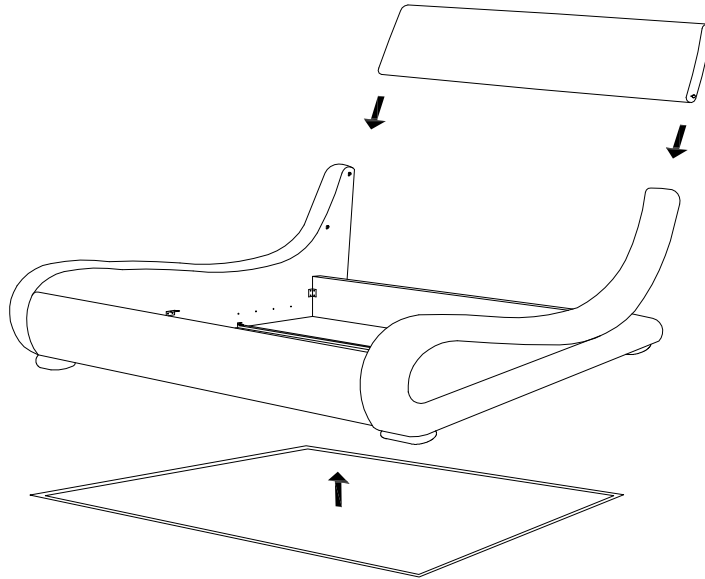
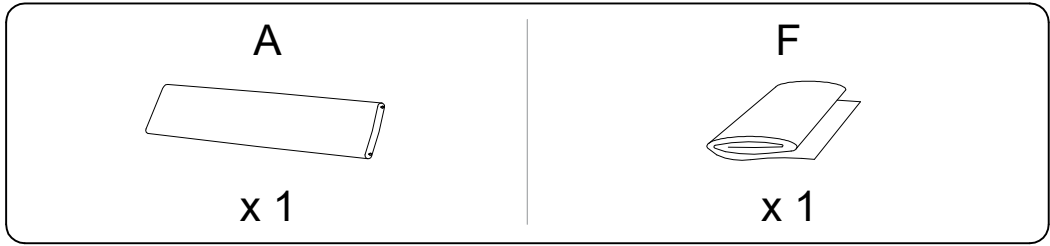


2

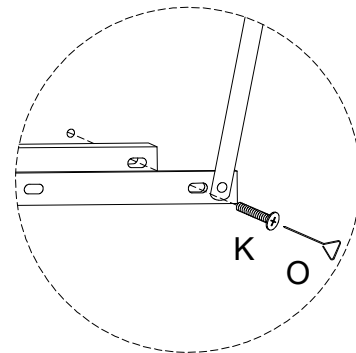
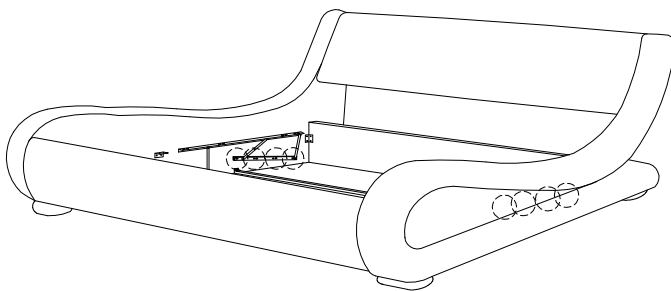
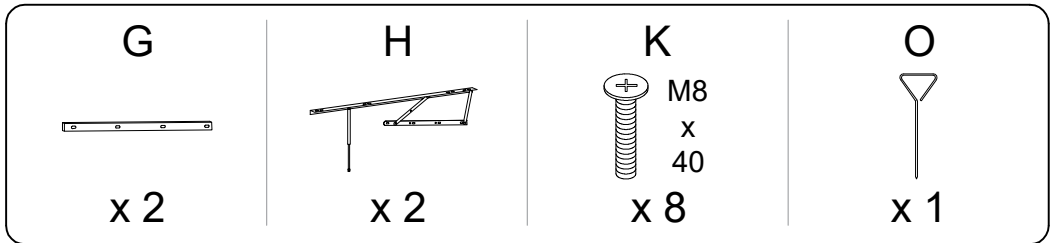
D  x 1	J  M8 x 20 x 2	N  x 1
--	---	--



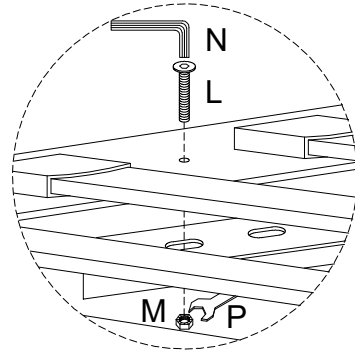
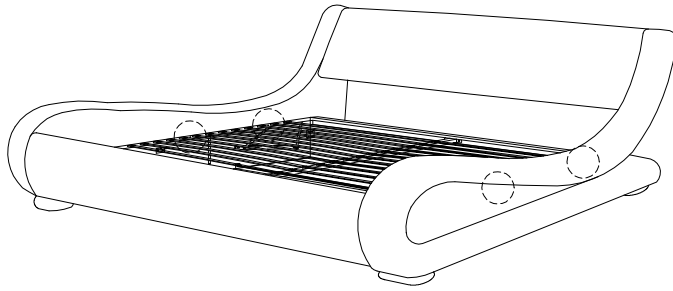
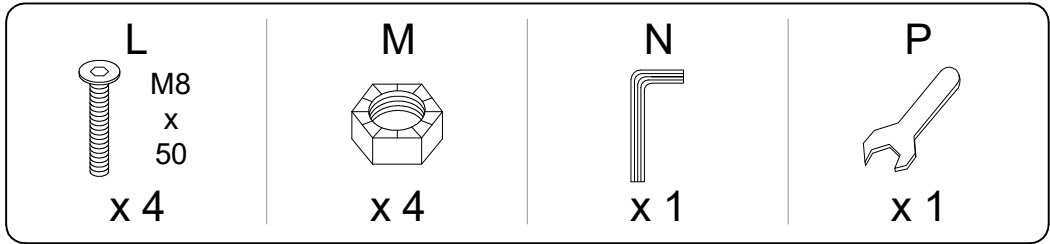
3



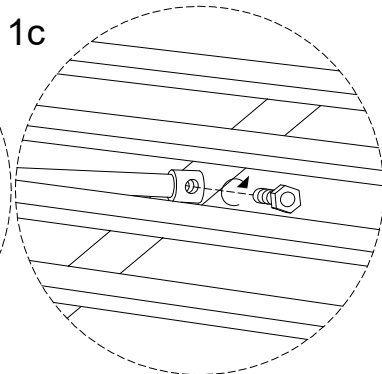
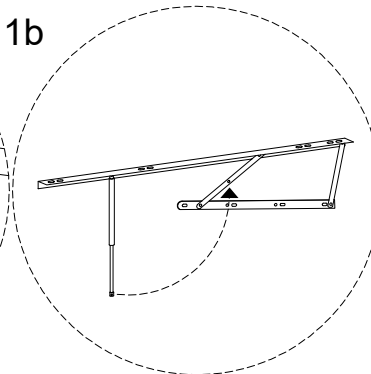
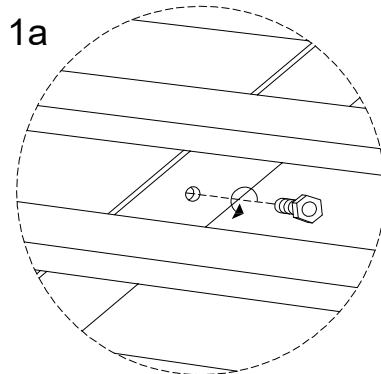
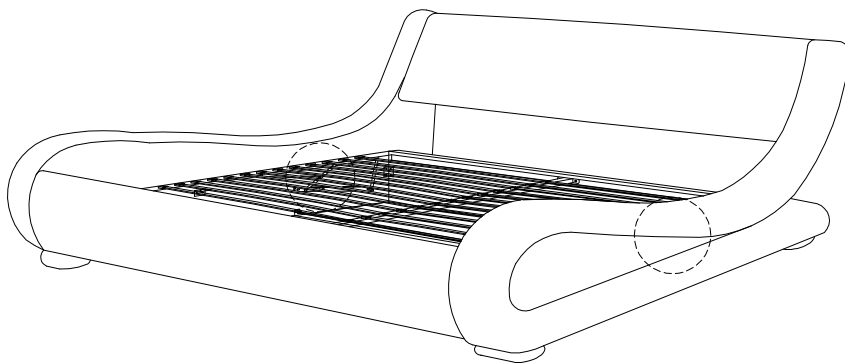
4

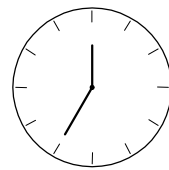
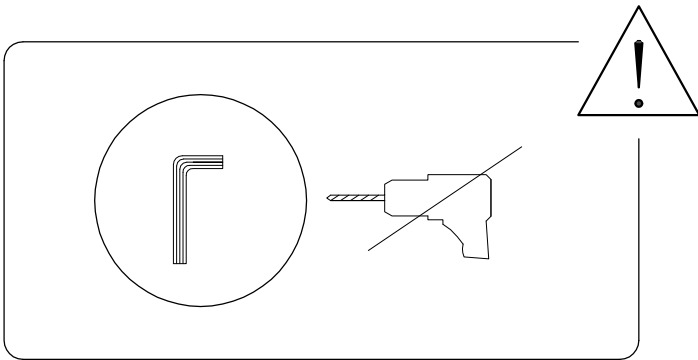
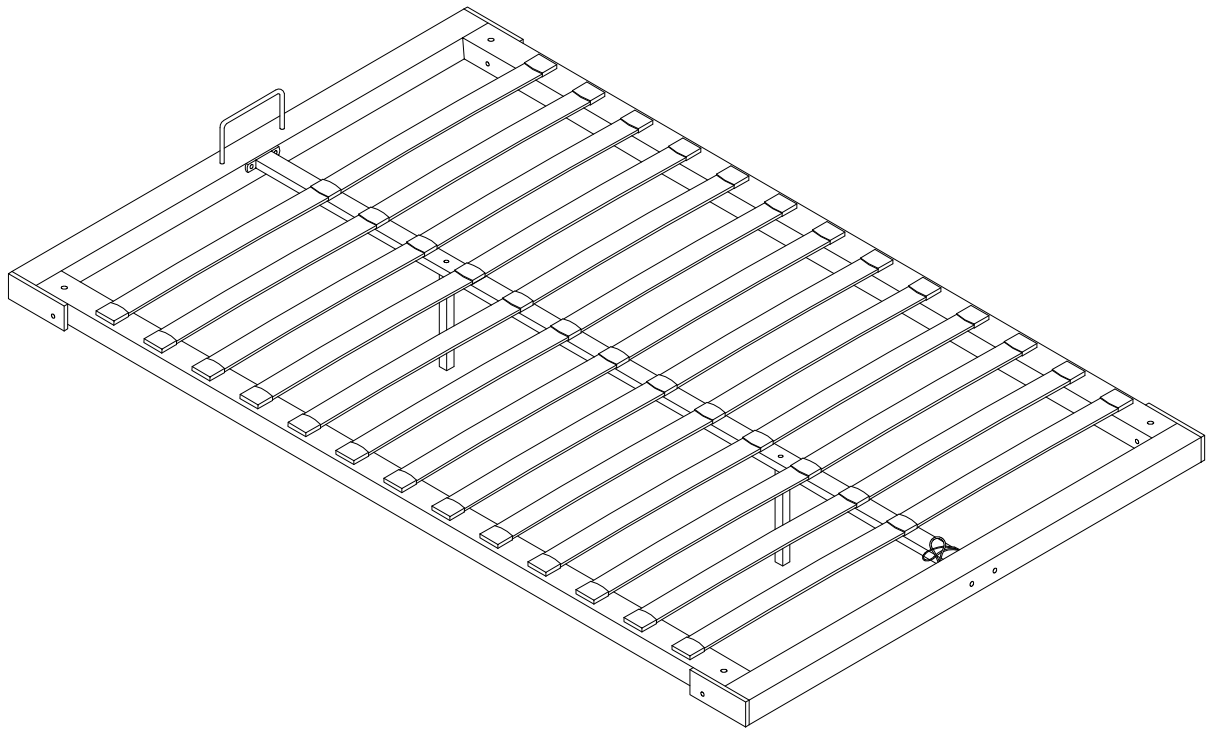


5

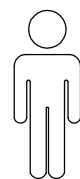


6

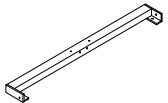
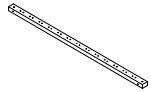
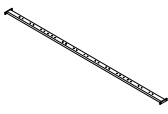
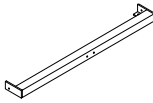
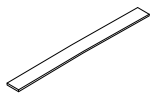



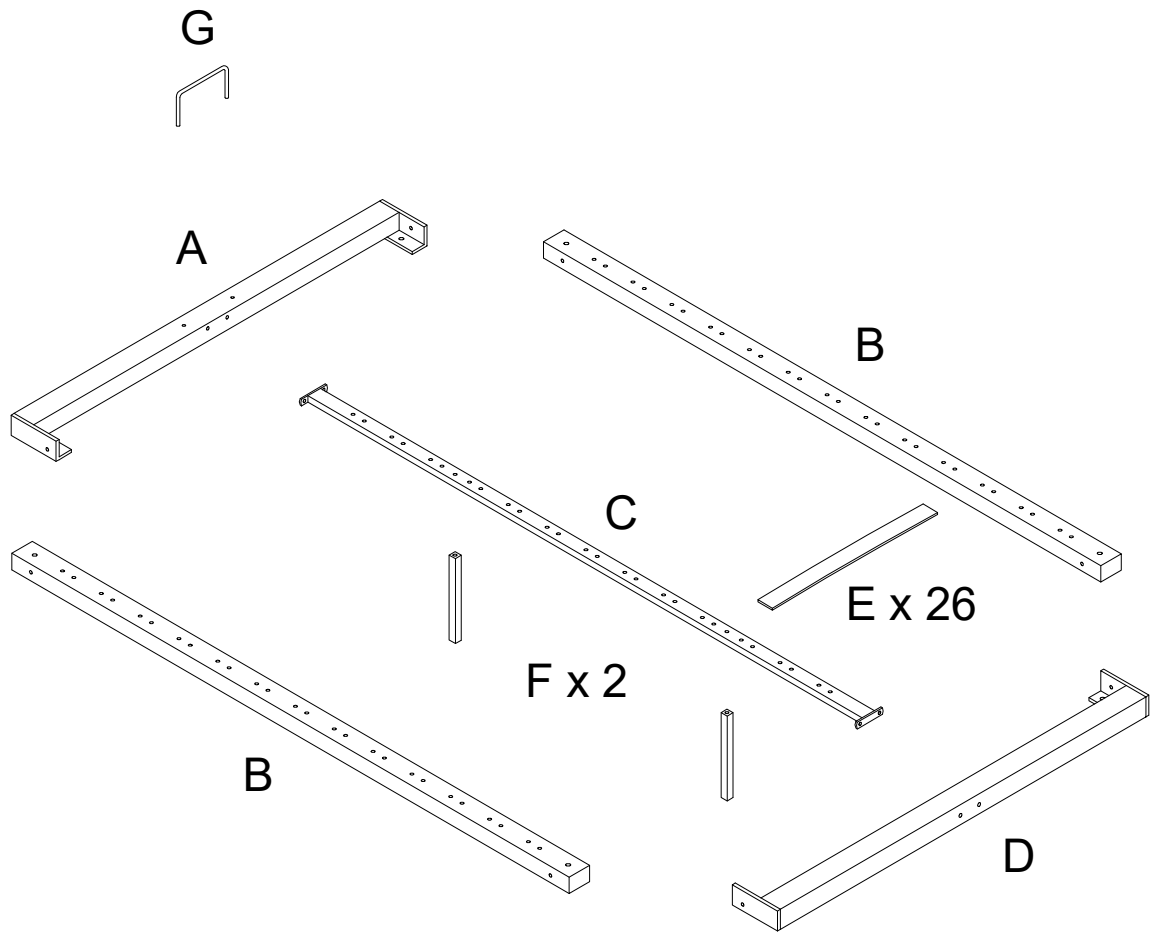


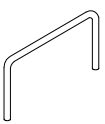
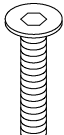
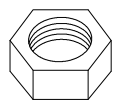

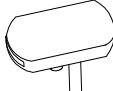
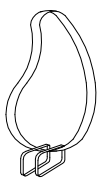
35'



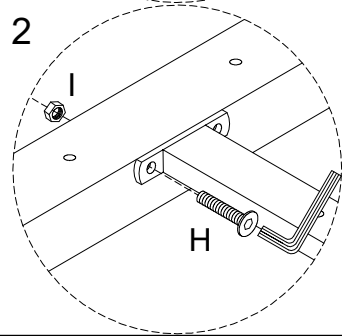
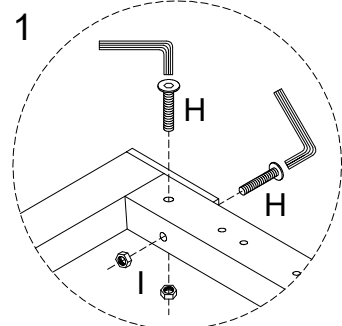
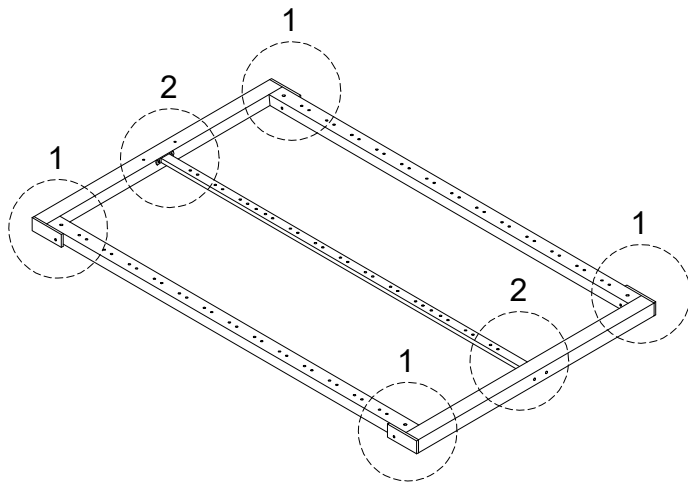
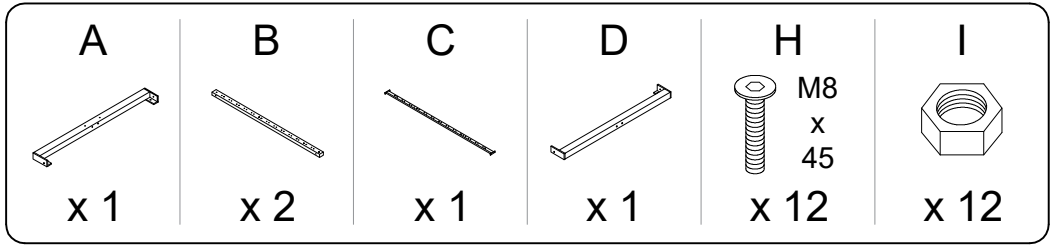
1

A	B	C	D	E	F
					
x 1	x 2	x 1	x 1	x 26	x 2

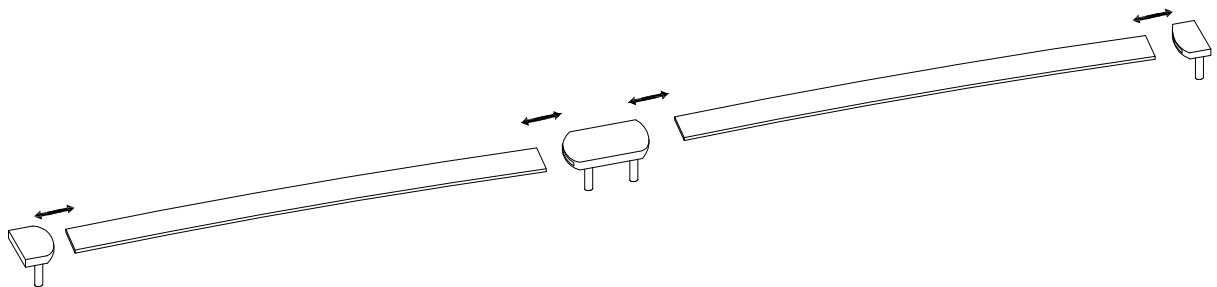
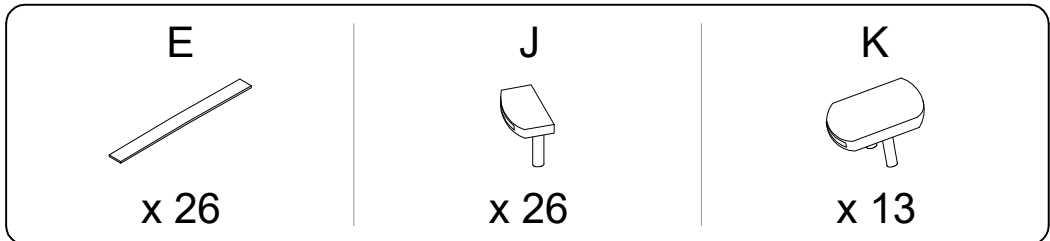


G	H	I	J	K	L
	 M8 x 45				
x 1	x 14	x 12	x 26	x 13	x 1

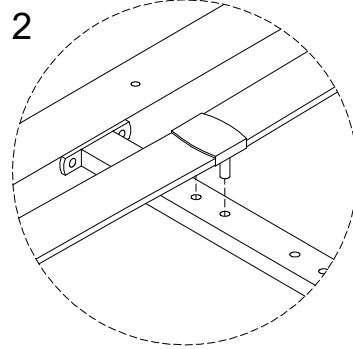
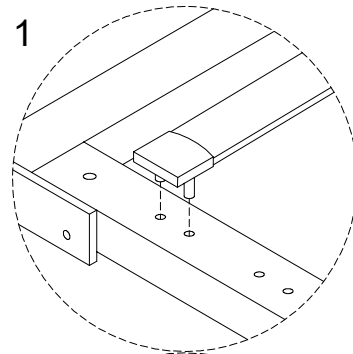
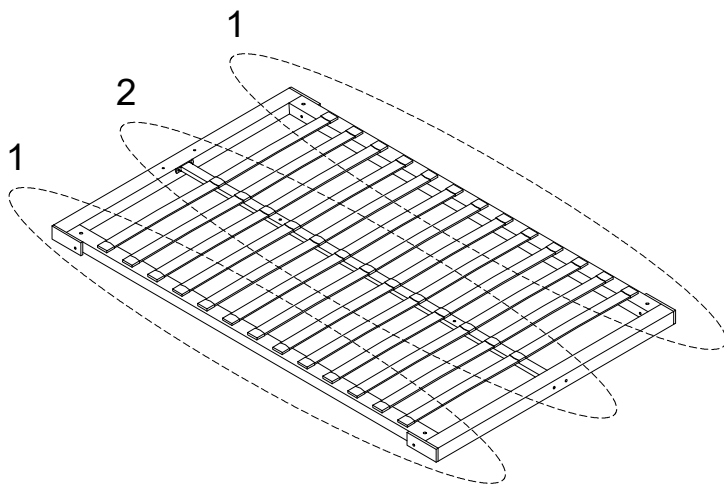
1



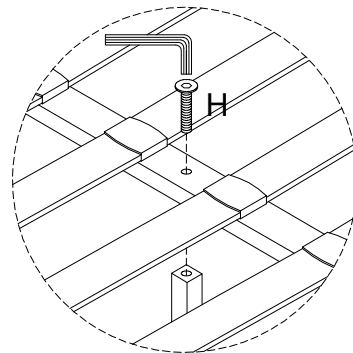
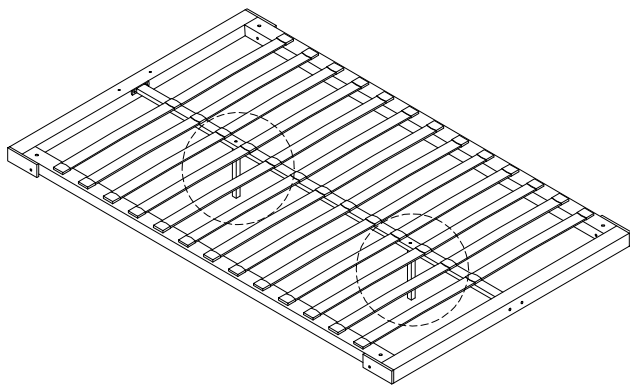
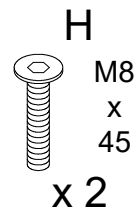
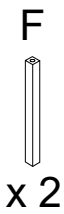
2



3

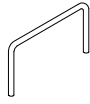


4



5

G



x 1

L



x 1

