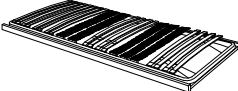
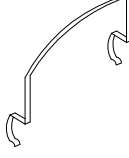
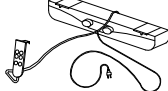

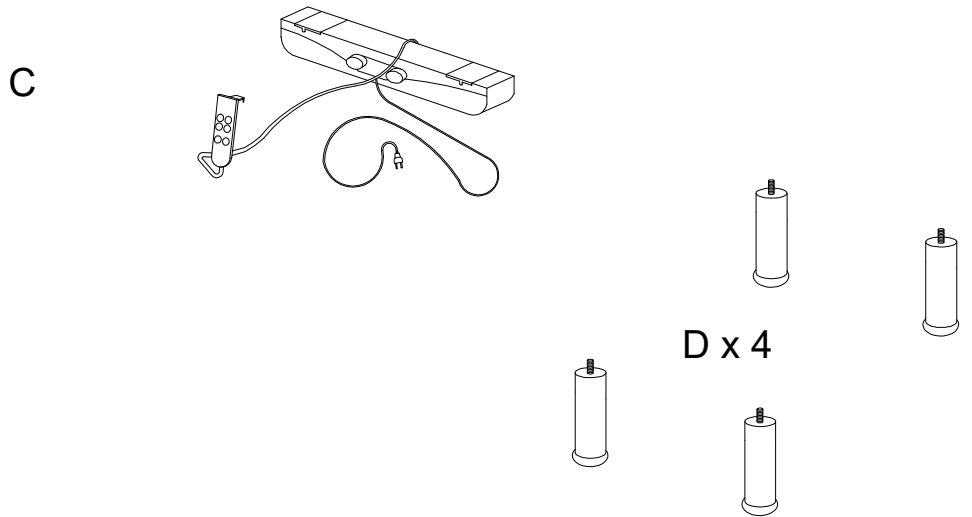
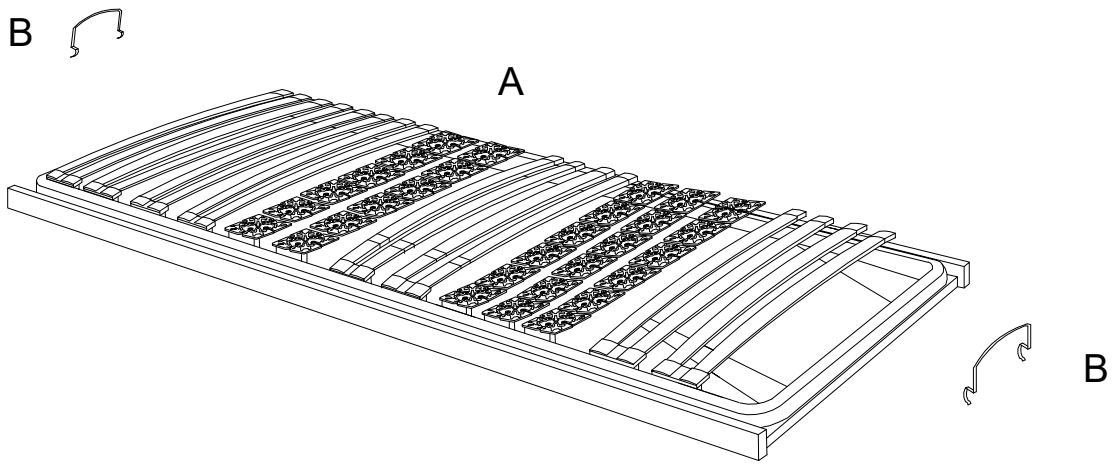


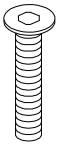
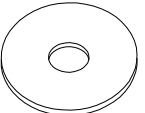
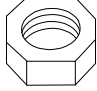
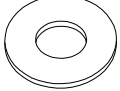
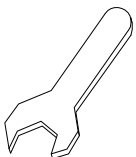
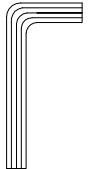
20'



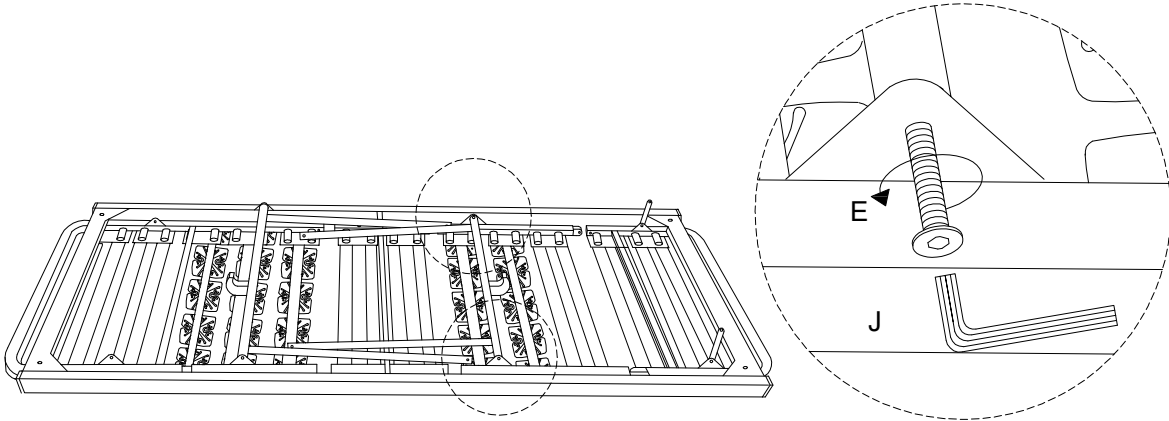
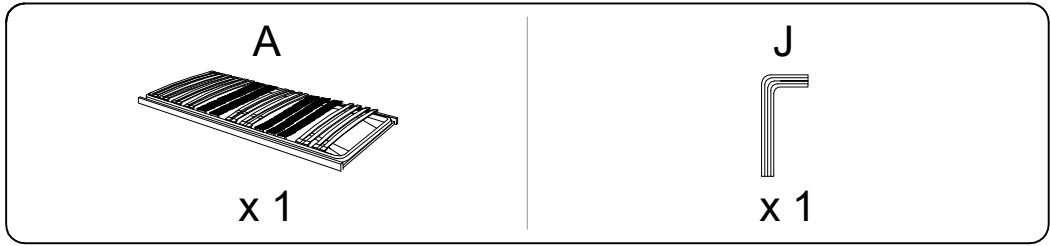
1

<b>A</b>	<b>B</b>	<b>C</b>	<b>D</b>
			
<b>x 1</b>	<b>x 2</b>	<b>x 1</b>	<b>x 4</b>

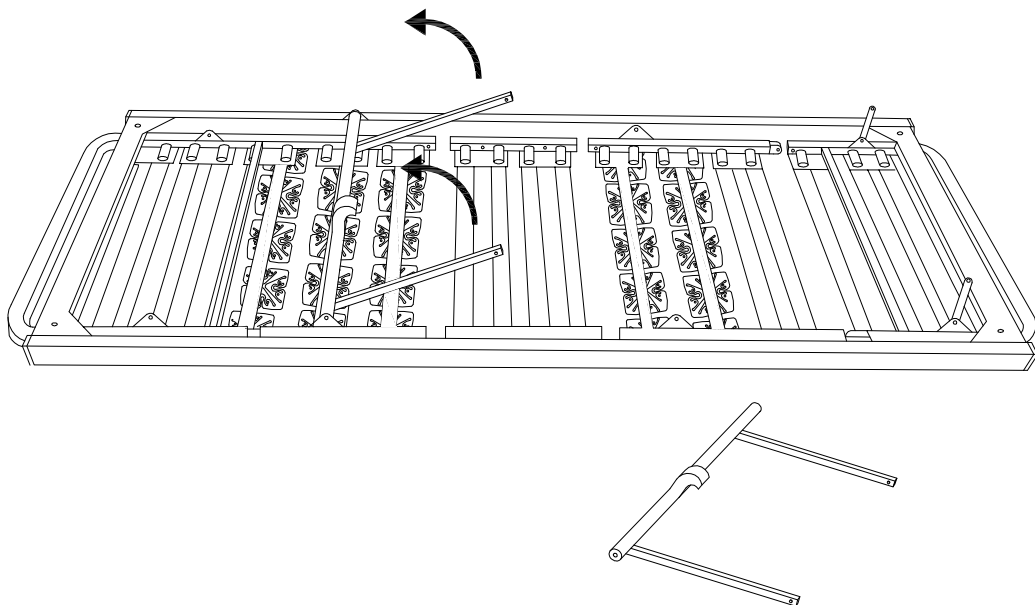


<b>E</b>	<b>F</b>	<b>G</b>	<b>H</b>	<b>I</b>	<b>J</b>
 M8 x 25					
<b>x 6</b>	<b>x 4</b>	<b>x 4</b>	<b>x 8</b>	<b>x 1</b>	<b>x 1</b>

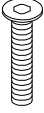
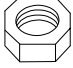
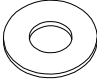

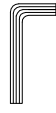
1

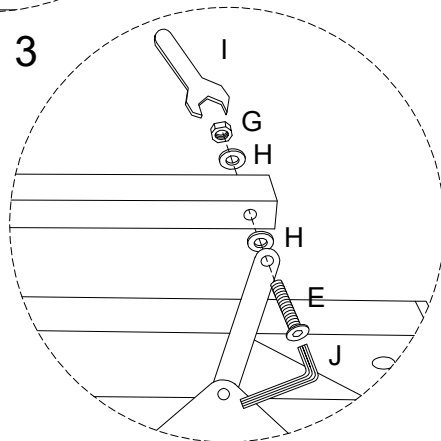
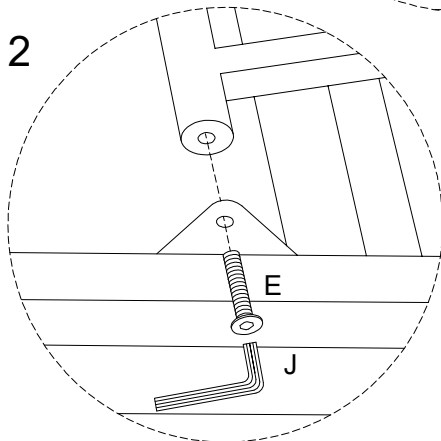
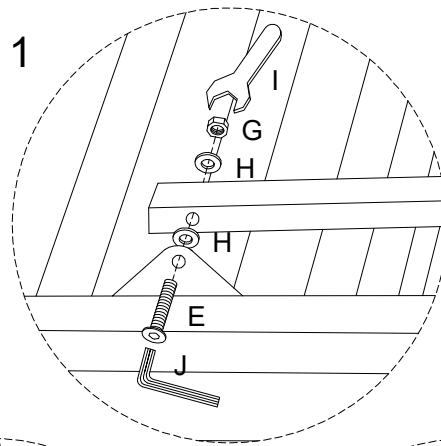
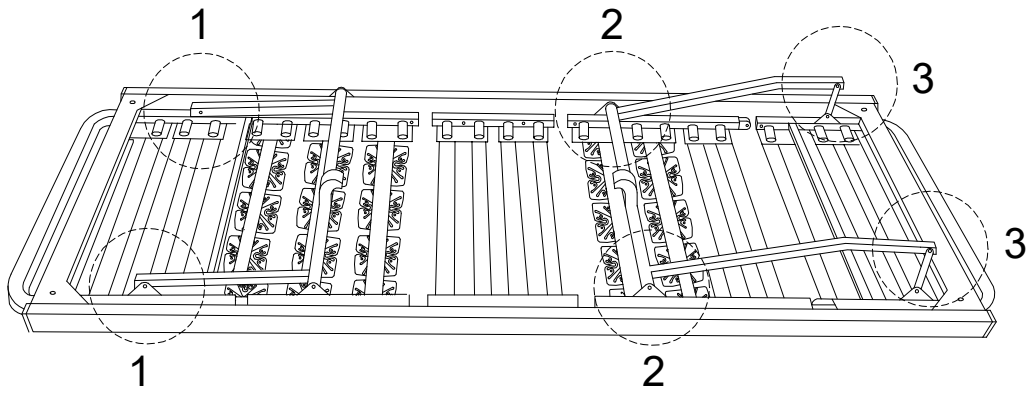


2

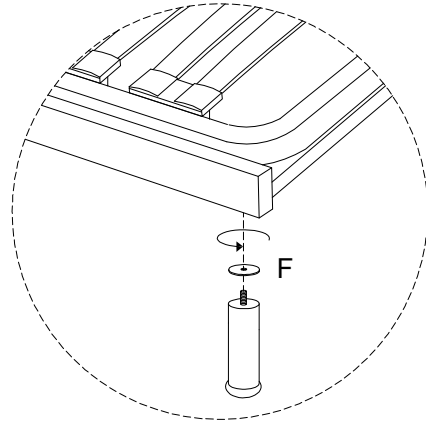
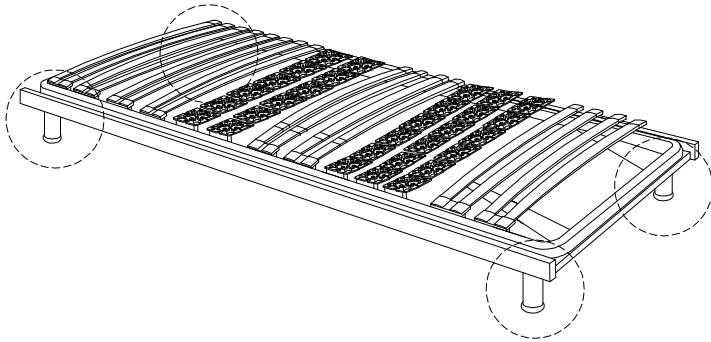
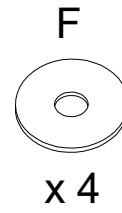
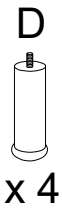


3

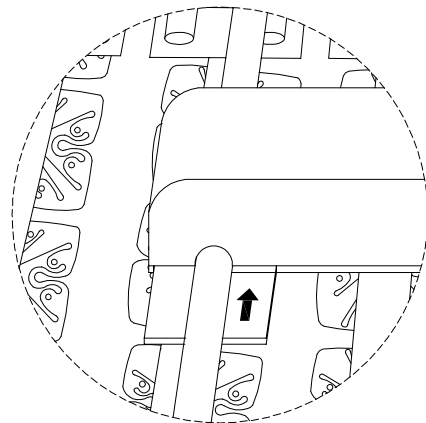
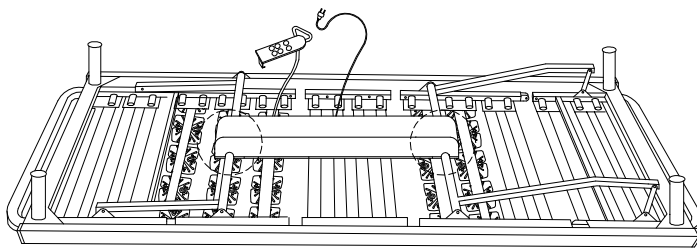
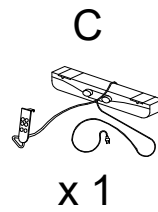
<b>E</b>  M8 x 25 x 6	<b>G</b>  x 4	<b>H</b>  x 8	<b>I</b>  x 1	<b>J</b>  x 1
--------------------------------------------------------------------------------------------------------------------	------------------------------------------------------------------------------------------------------	------------------------------------------------------------------------------------------------------	--------------------------------------------------------------------------------------------------------	--------------------------------------------------------------------------------------------------------



4



5



6

