
















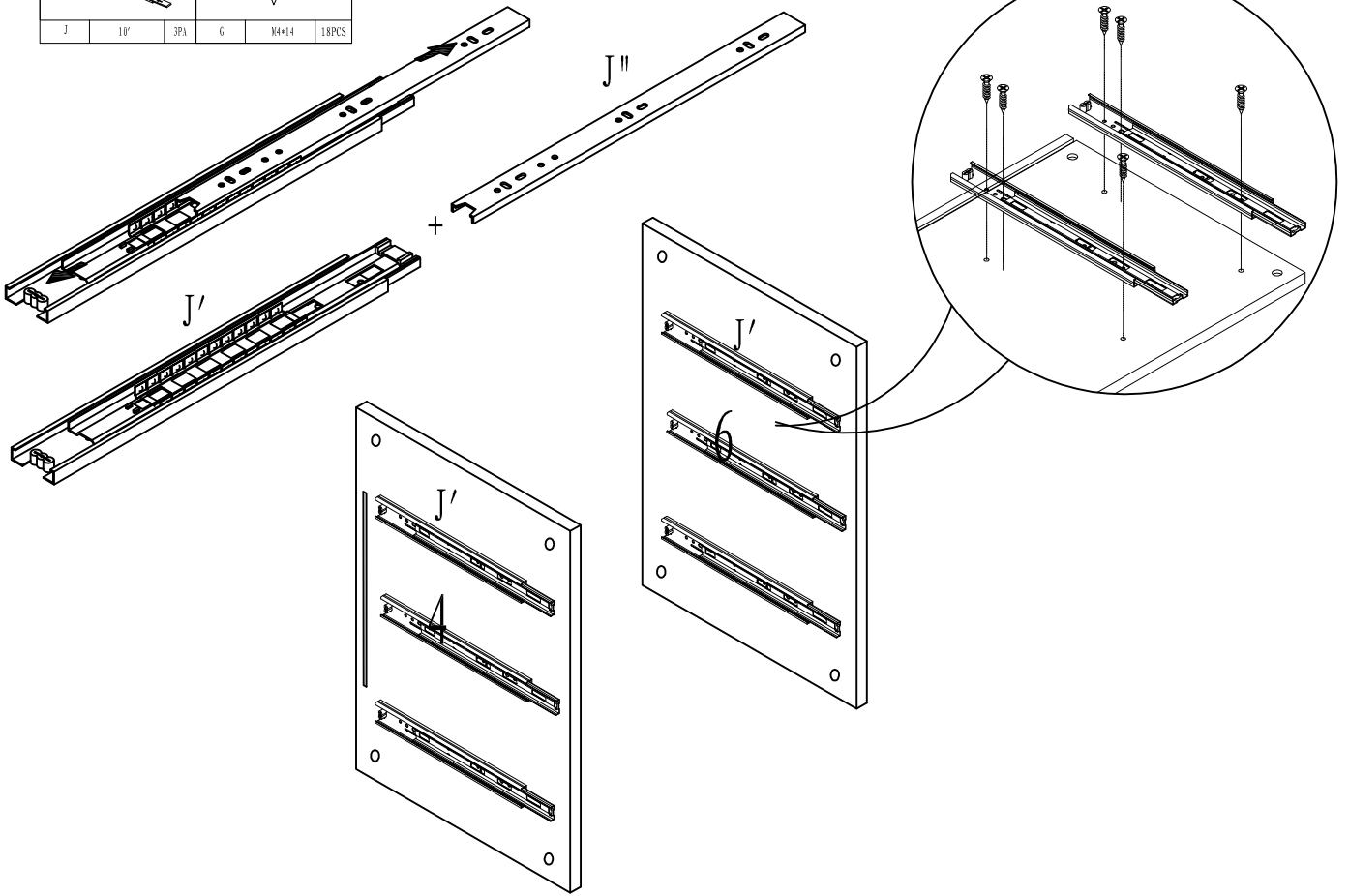
K3GS01

NO.	SIZE	QTY	CTN NO.
1	1552*396*16	1	2-1
2	1552*396*16	1	2-1
3	596*395*16	1	2-2
4	596*395*16	1	2-2
5	596*350*16	1	2-2
6	596*350*16	1	2-2
7	462*350*16	2	2-2
8	1518*105*16	2	2-1
9	1528*396*5	1	2-1
10	467*396*16	2	2-1
11	576*196*16	3	2-2
12	300*150*12	6	2-2
13	513*150*12	3	2-1
14	523*294*5	3	2-1

		
A N6*40 28pcs	B $\phi 15 \times 1.5$ 28pcs	C $\phi 8 \times 30$ 24pcs
		
D / 8PCS	N M6*12 20pcs	E $\phi 12 \times 10$ 12pcs
		
F N4*14 36PCS	G N4*30 12PCS	I N4*20 10PCS
		
H / 5PCS	K H20 4pcs	L H20 1pcs
		
J 10' 3PA	M big bend 4PCS	P / 2set

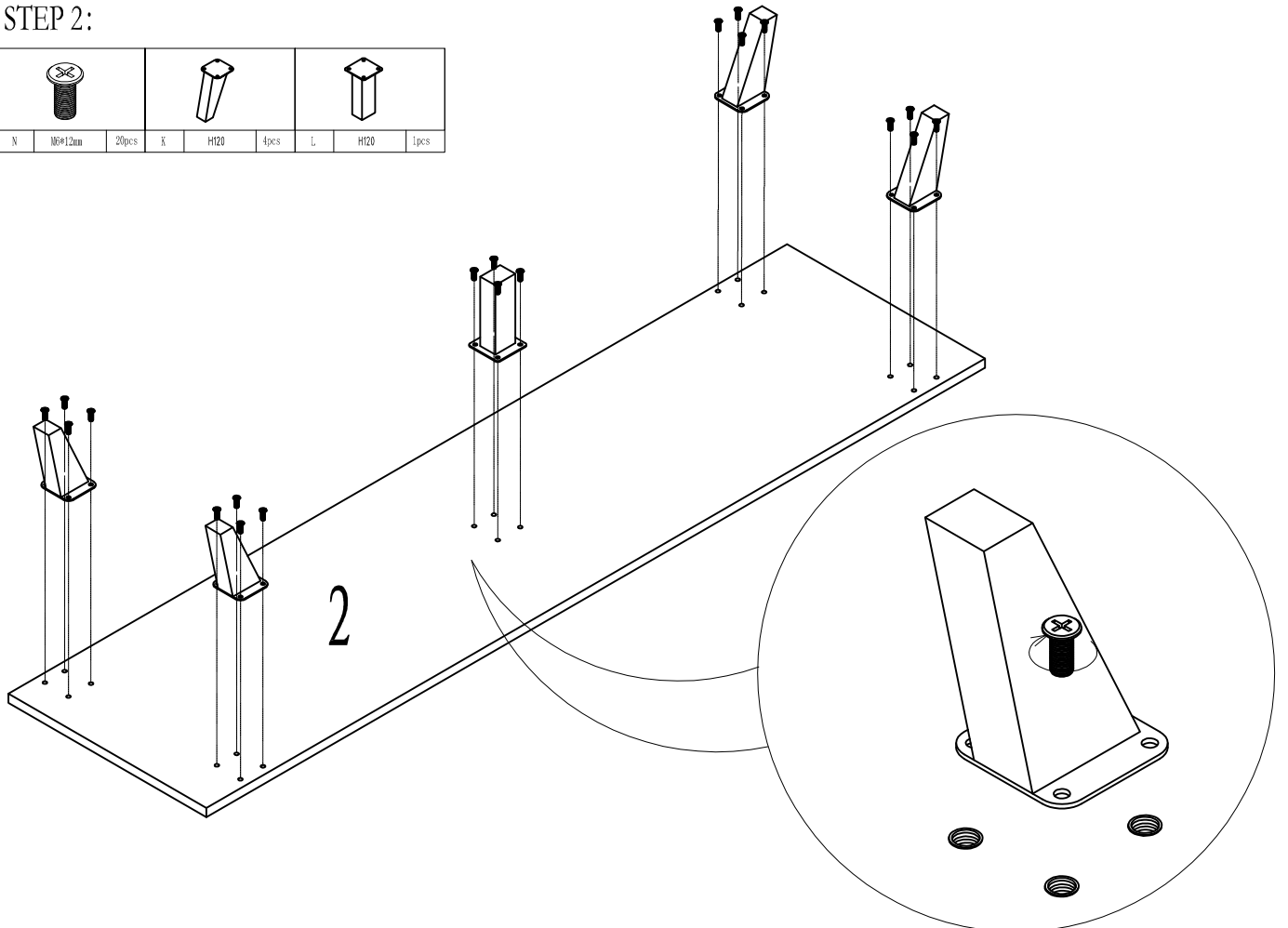
STEP 1:

J	J'	J''	G
18PCS	3PCS	14PCS	4PCS



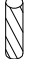


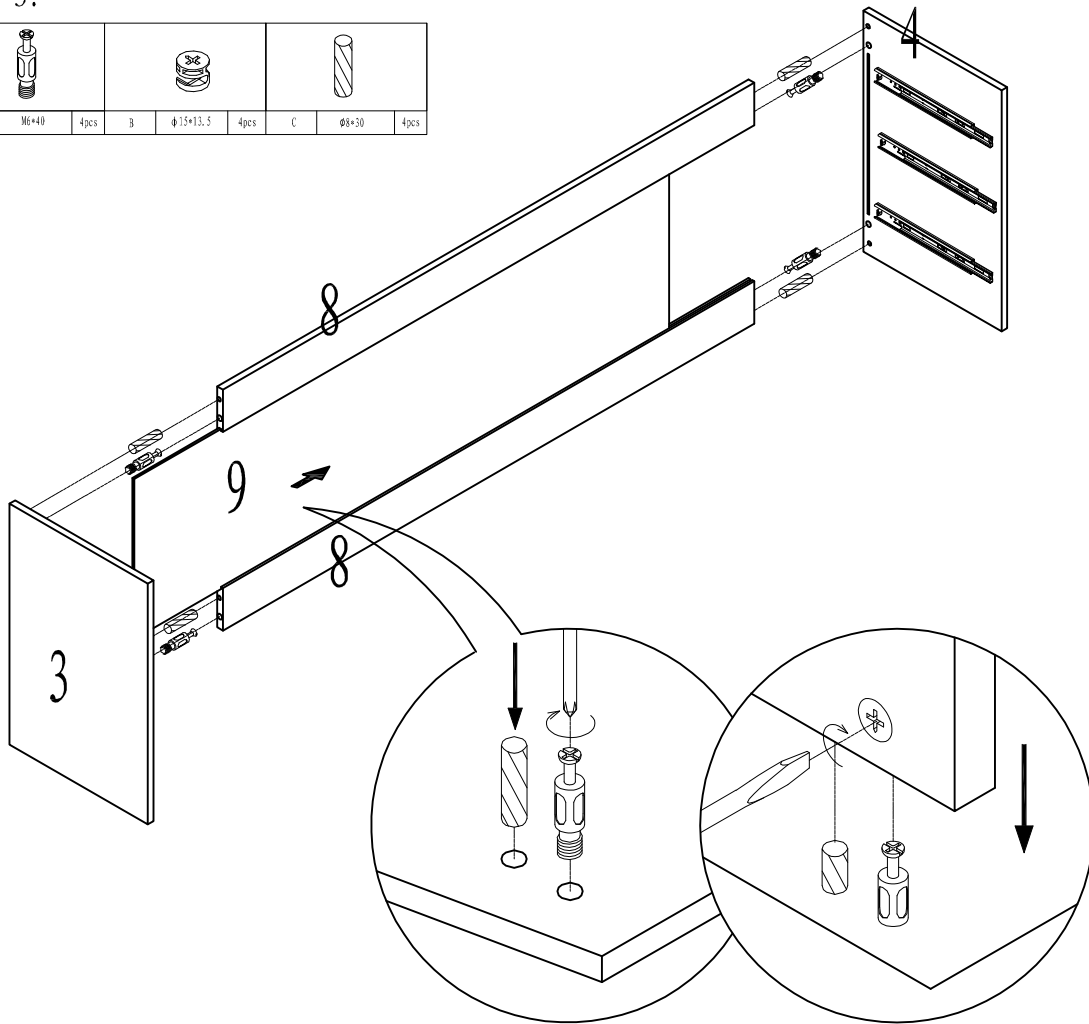
STEP 2:

N	K	L
M8*12mm	H120	H120
20PCS	4PCS	1PCS






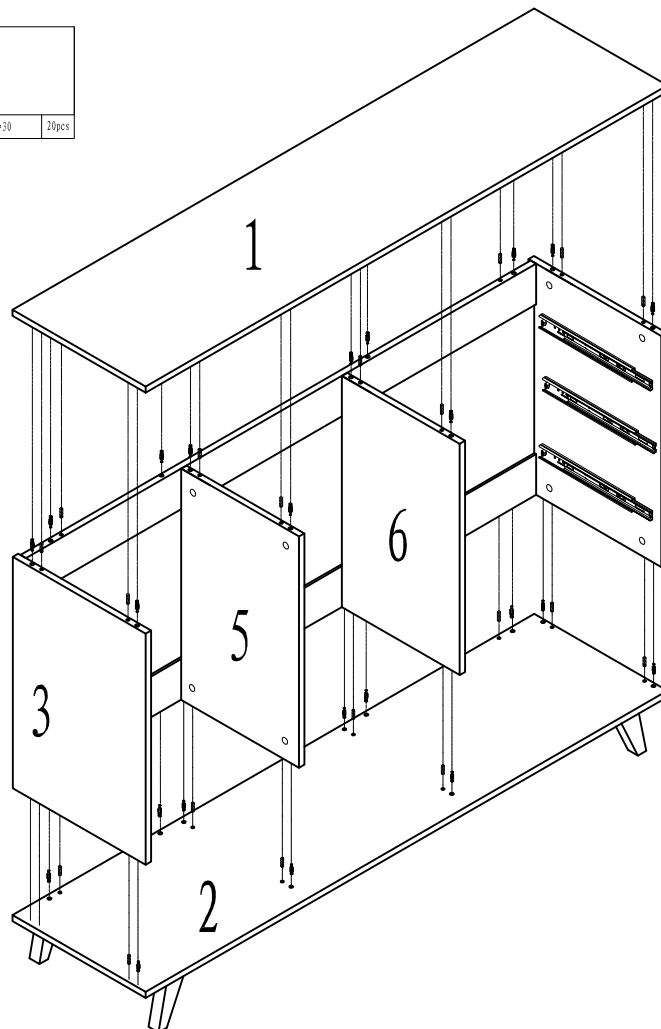
STEP 3:

		
A	M6*40	4pcs
B	$\phi 15 \times 13.5$	4pcs
C	$\phi 8 \times 30$	4pcs

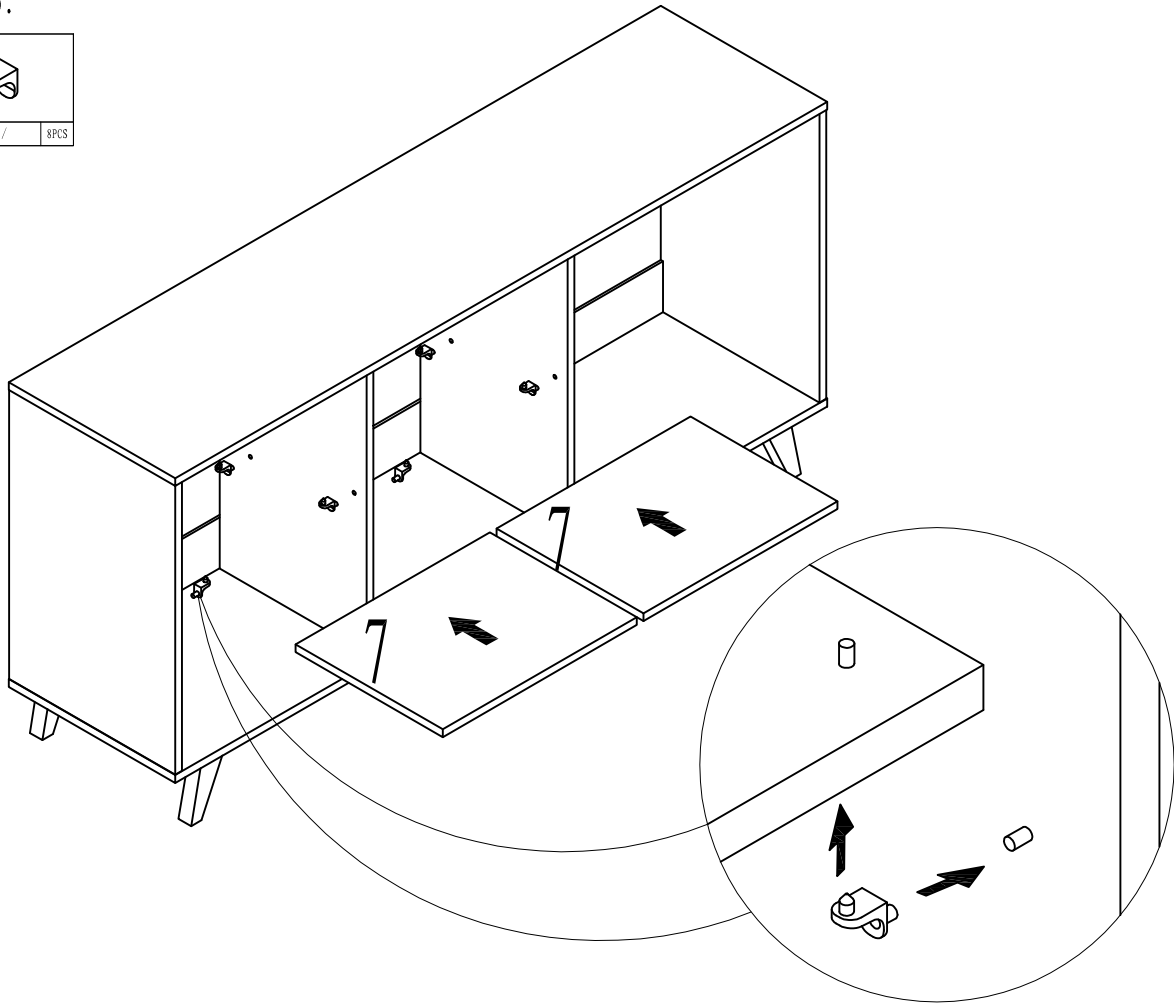
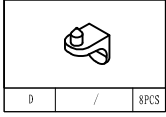


STEP 4:

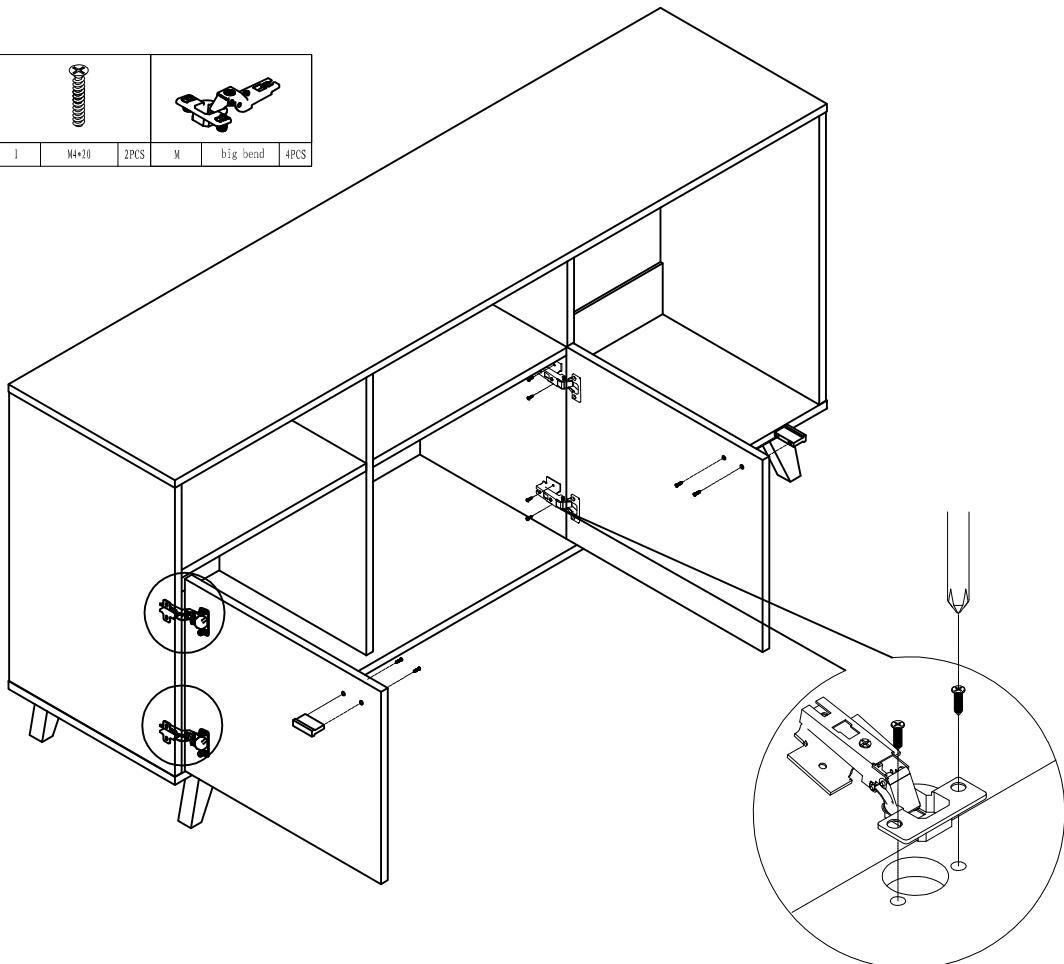
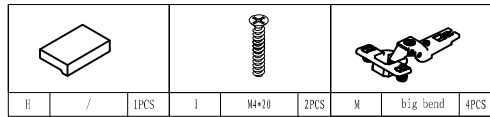
		
A	M6*40	24pcs
B	$\phi 15 \times 13.5$	24pcs
C	$\phi 8 \times 30$	20pcs



STEP 5:

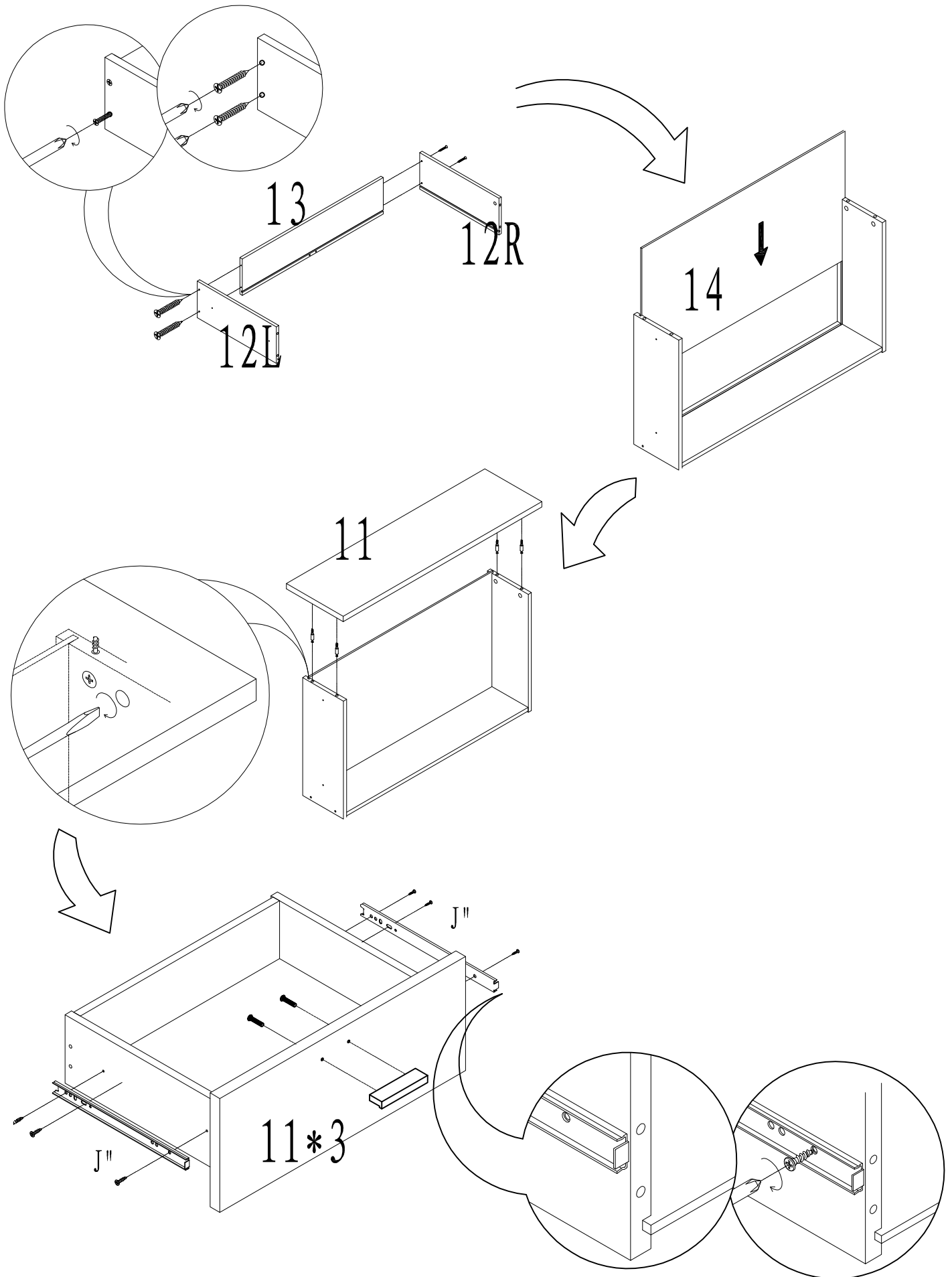


STEP 6:

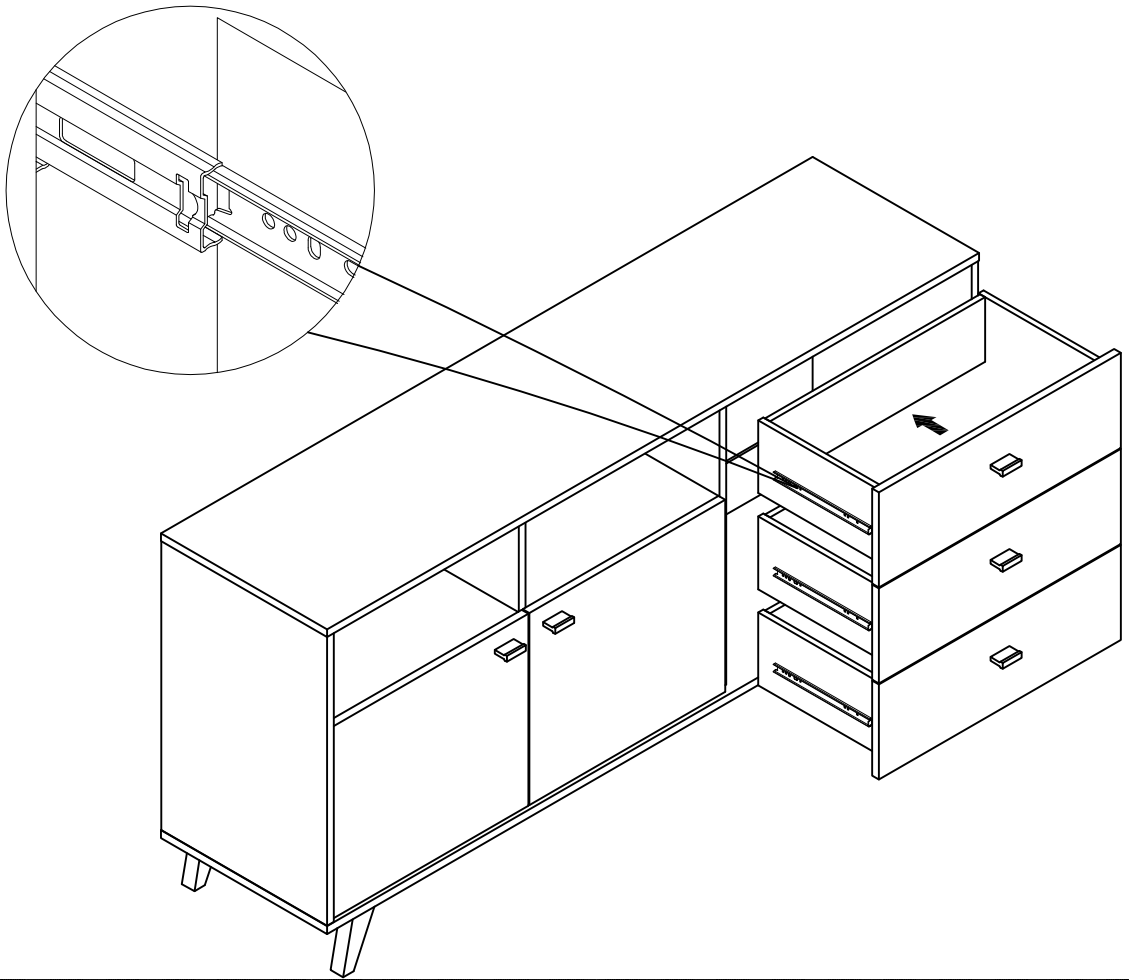


STEP 7:

J	10'	3PA	F	M4*14	18PCS	E	Φ12*1.0	12pcs	G	M4*20	12PCS	H	/	3PCS	I	M4*20	6PCS



STEP 8:



STEP 9:

