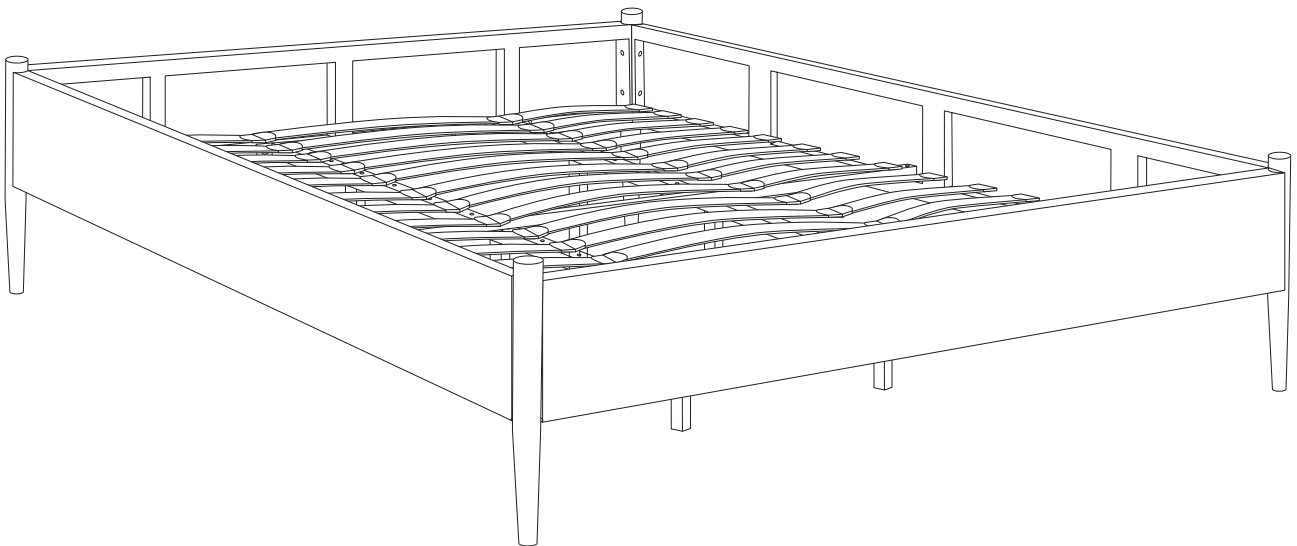
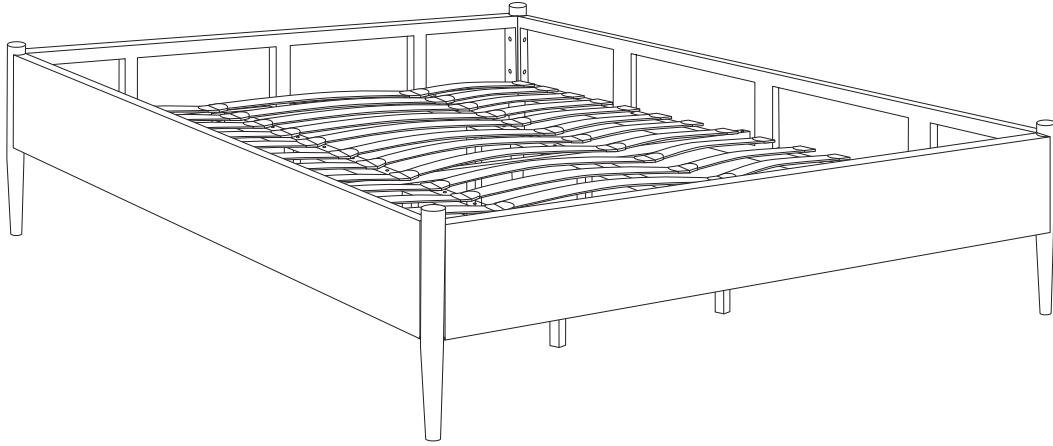


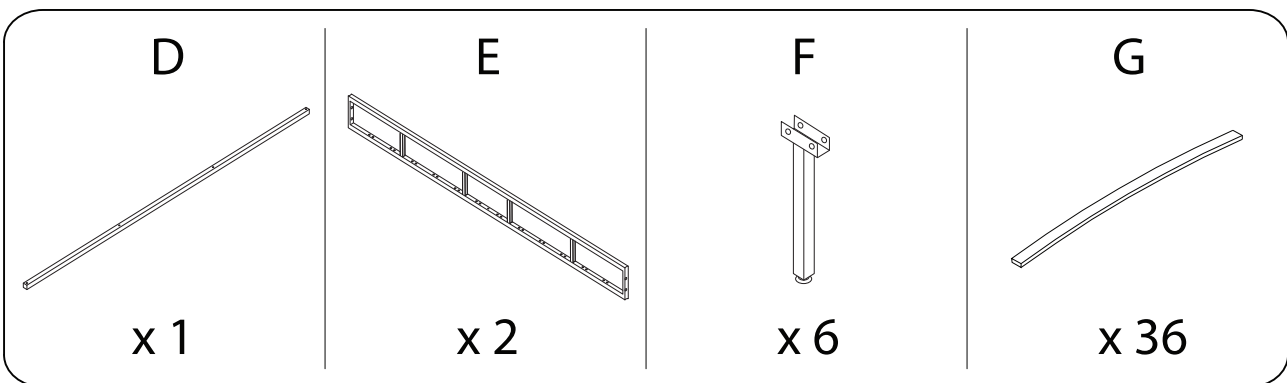
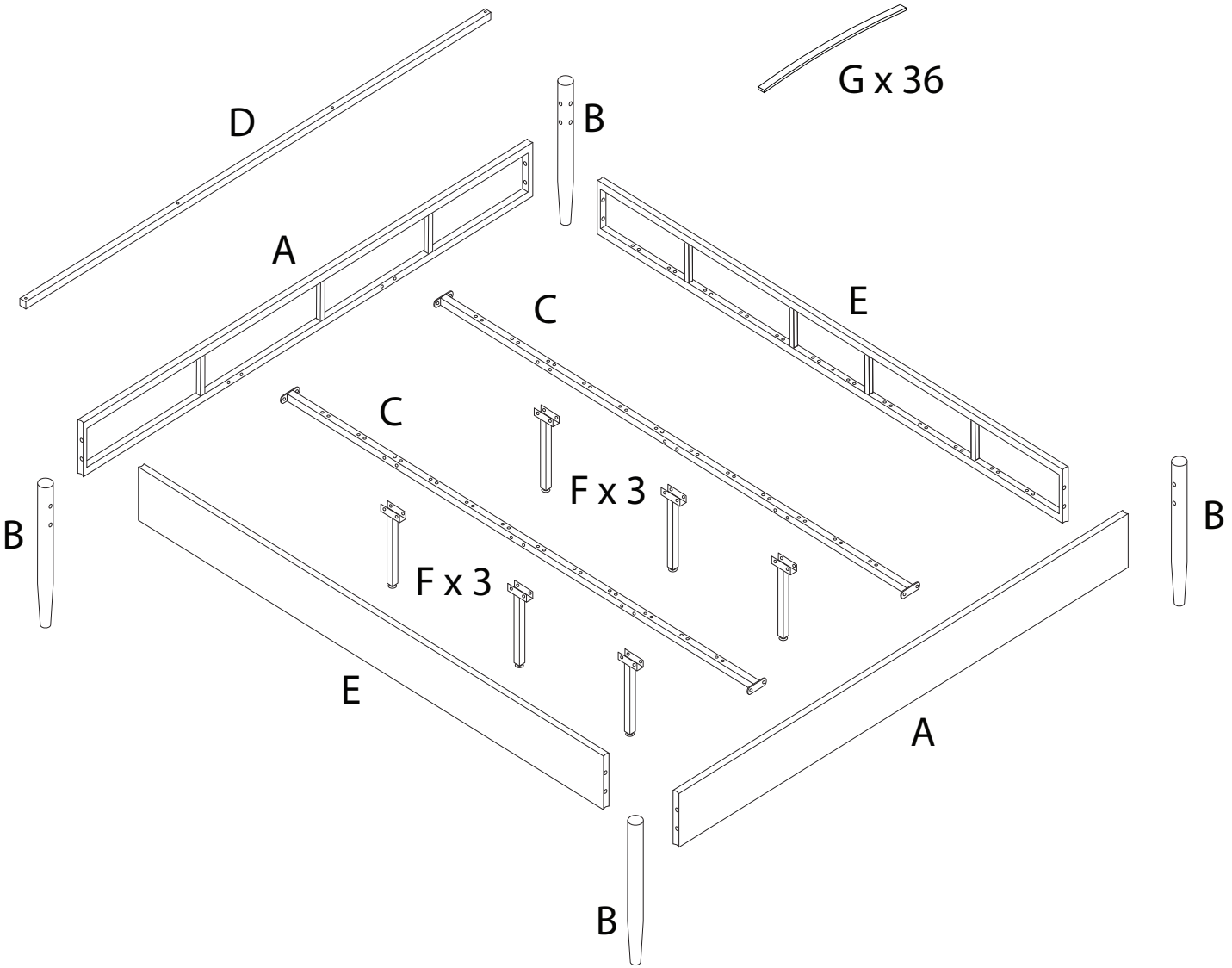
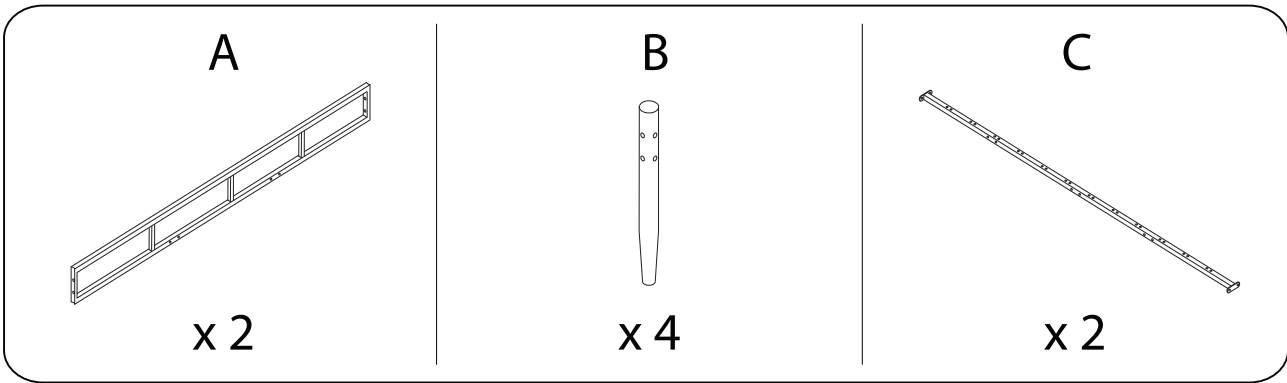
# VAURS



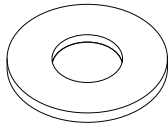


Assembly instructions for step 1/8:

- Tools:** An icon shows an Allen key and a wrench. A power drill is shown with a diagonal line through it, indicating it should not be used.
- Warning:** A triangle with an exclamation mark.
- Time:** A clock icon with the text "45'" below it, indicating the estimated assembly time.
- Personnel:** An icon of a person with the number "2" below it, indicating that two people are required for assembly.

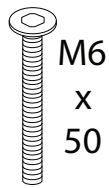


H



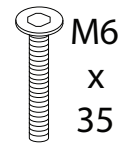
x 46

I



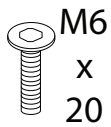
x 2

J



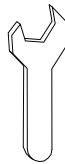
x 2

K



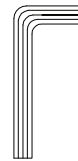
x 24

L



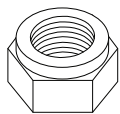
x 1

M



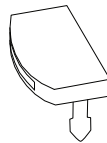
x 1

N



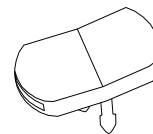
x 14

O



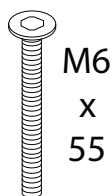
x 24

P



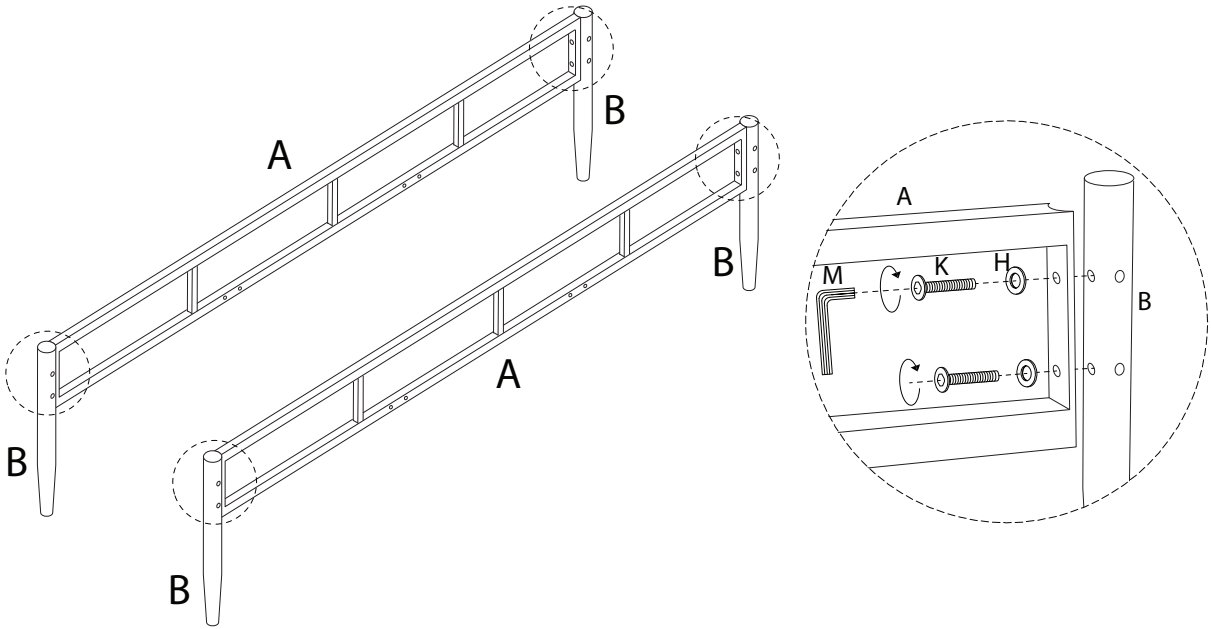
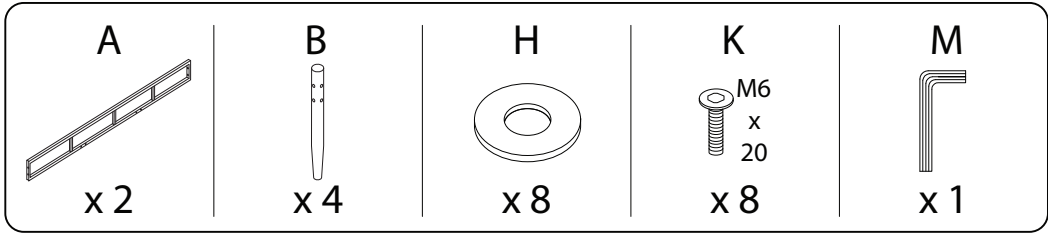
x 24

Q

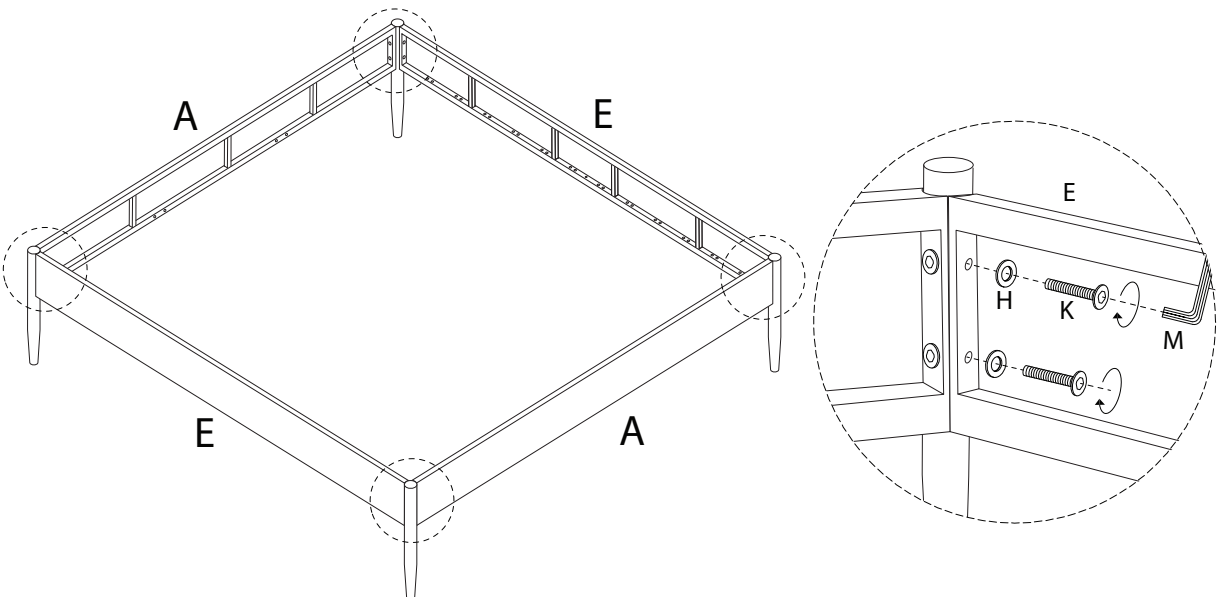
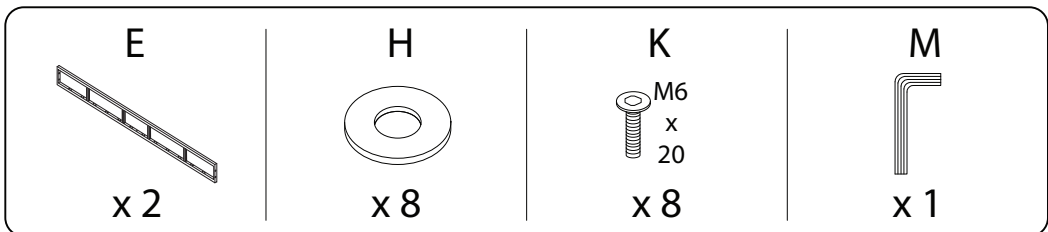


x 12


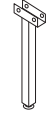
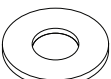

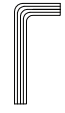
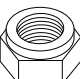
1

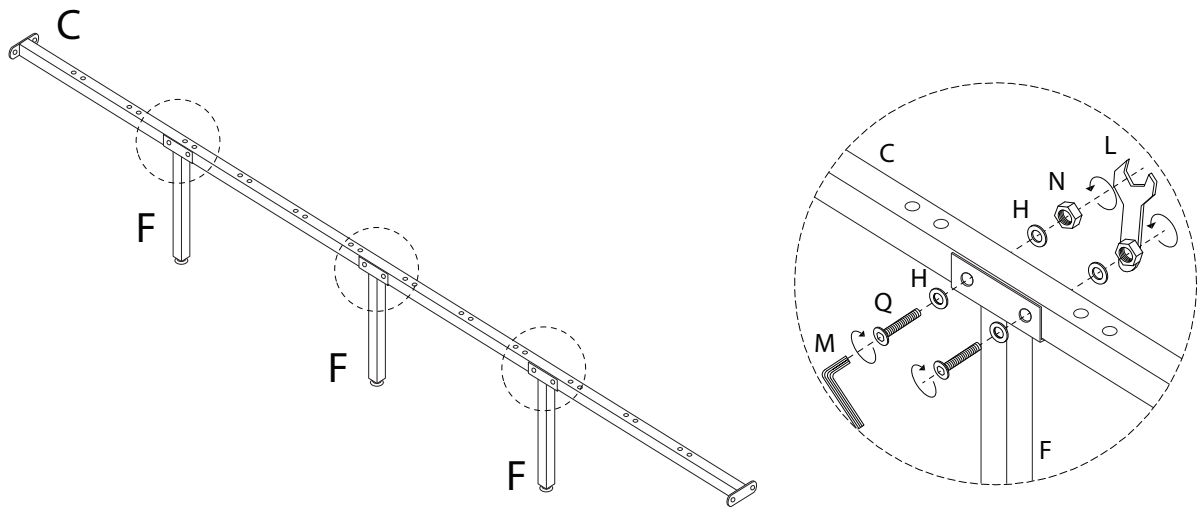


2

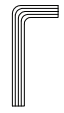


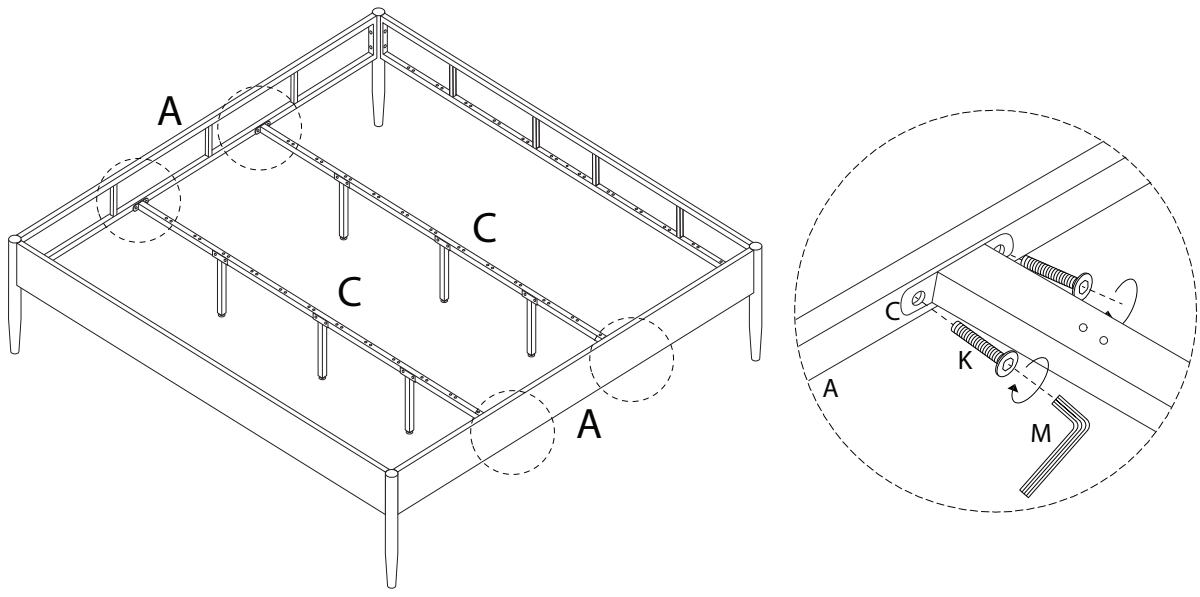
3 x 2

<b>C</b>  x 1	<b>F</b>  x 3	<b>H</b>  x 12	<b>L</b>  x 1	<b>M</b>  x 1	<b>N</b>  x 6	<b>Q</b> M6 x 55 x 6
--	--	---	--	--	--	-------------------------------

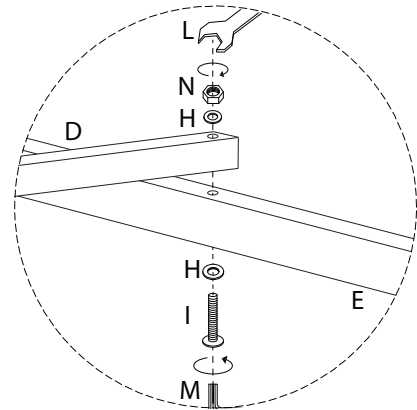
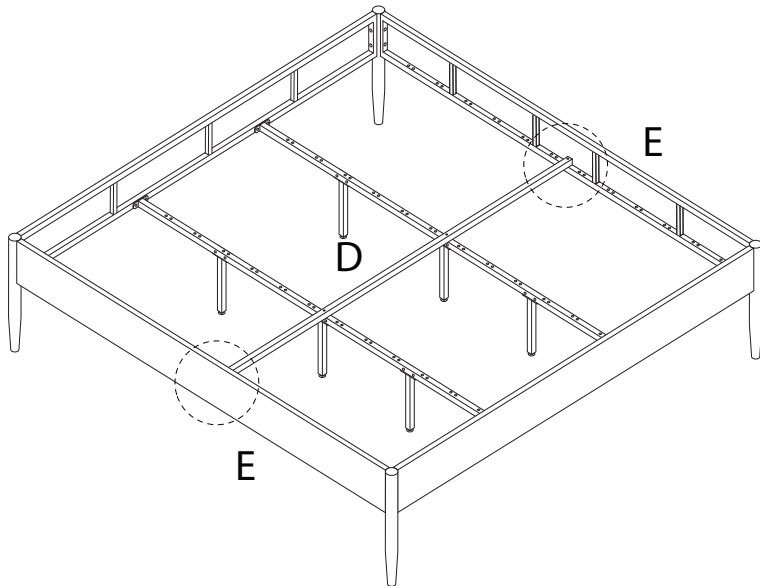
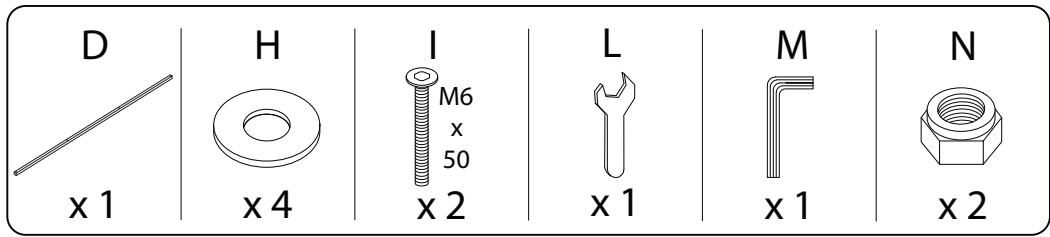


4

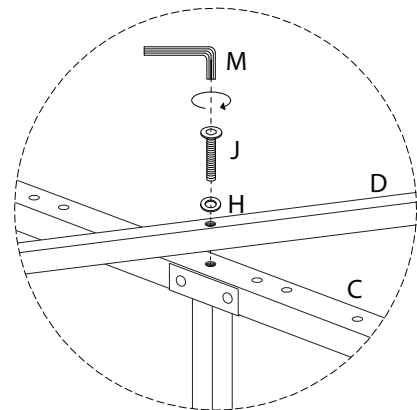
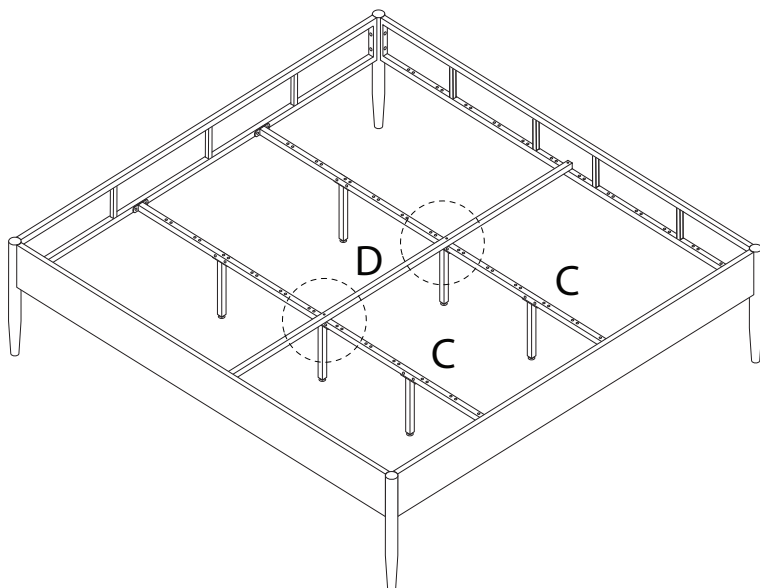
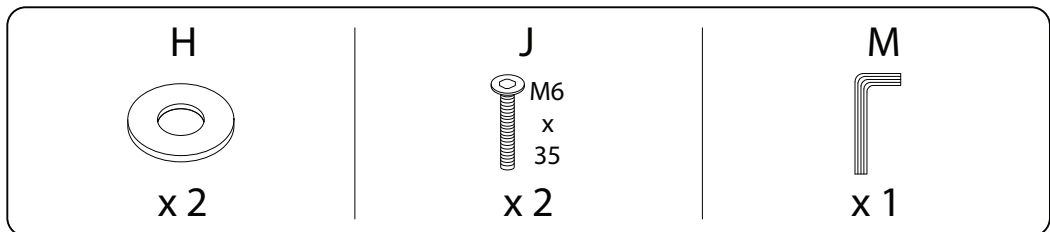
<b>K</b> M6 x 20 x 8	<b>M</b>  x 1
-------------------------------	--



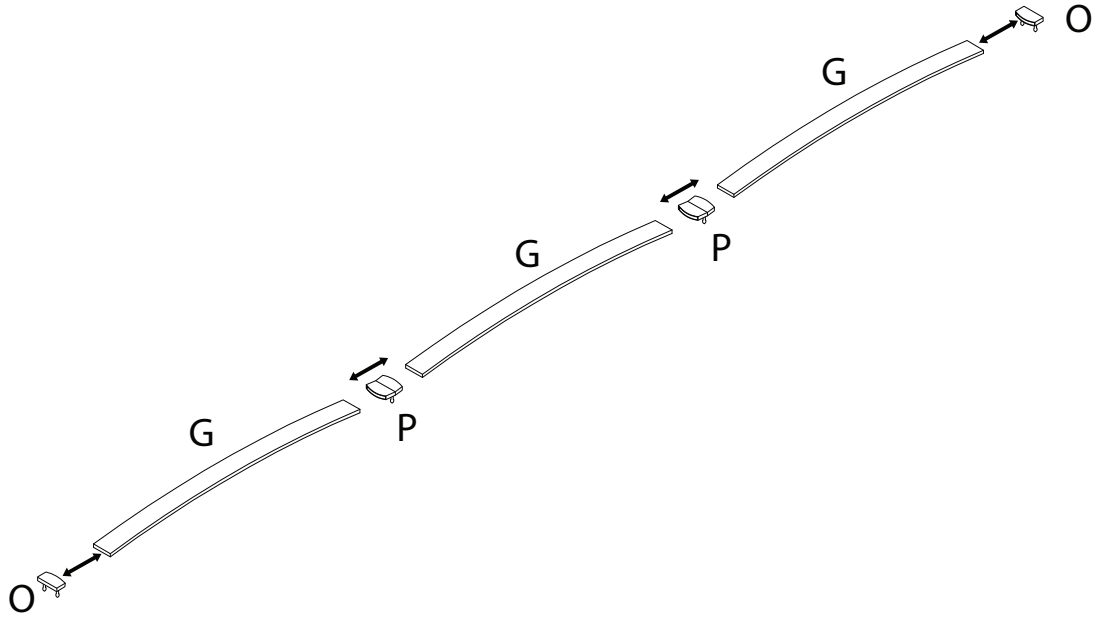
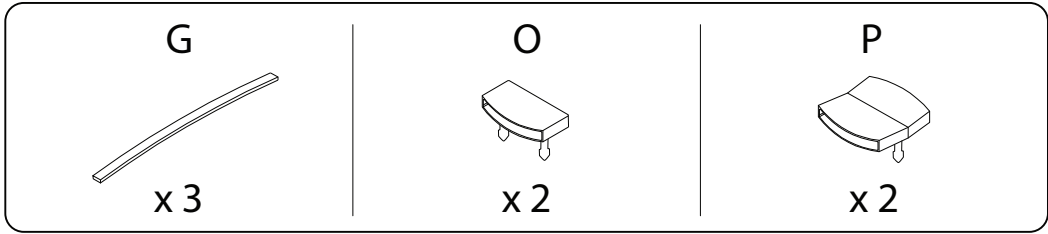
5



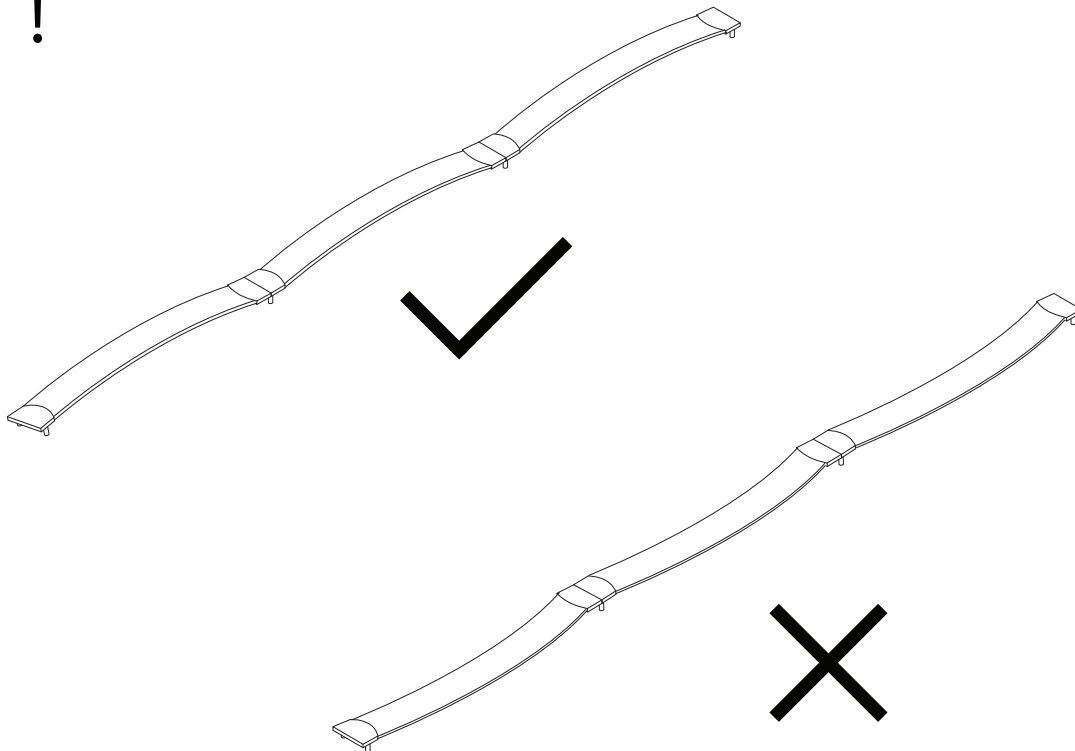
6



7 x 12



!





8

