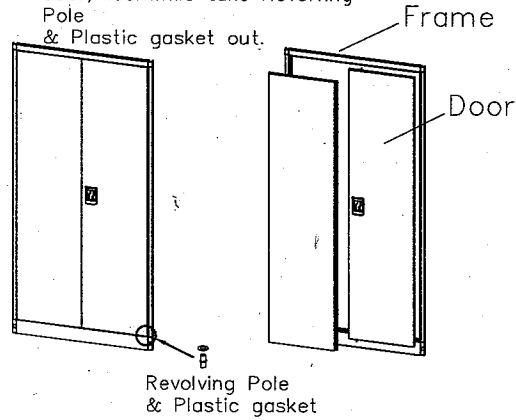
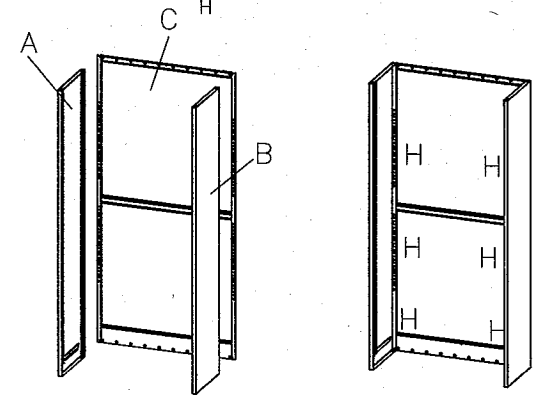


Part ID	Description	Illustration	Qty
A	Left Side Panel		1
B	Right Side Panel		1
C	Back Panel		1
D	Frame & Door		1
E	Top		1
F	Bottom		1
G	Shelf		4
H	Screw		13
I	Shelf Support		16
J	Key		2

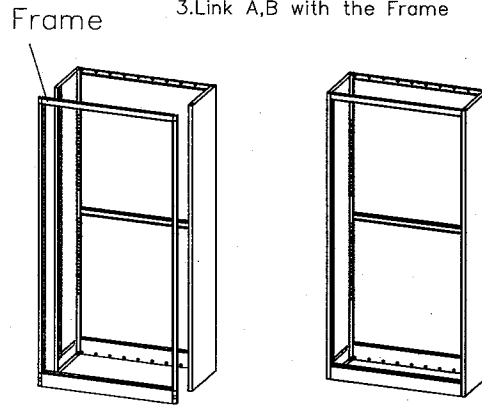
1. Separate the Frame From the door, meanwhile take Revolving Pole & Plastic gasket out.



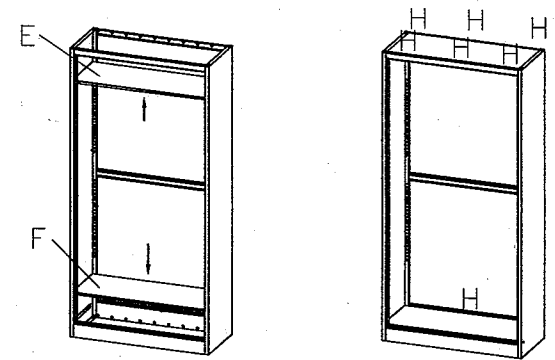
2. Link C with A,B fix by H



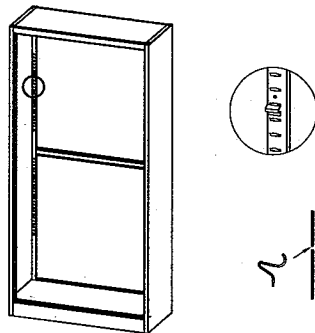
3. Link A,B with the Frame



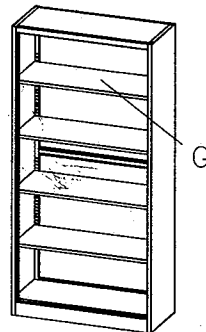
4. Install E&F into body of cabinet fix by H



5. Install I into body of cabinet, as shown in the following figure



6. Install G into body of cabinet



7. Install the door into body of cabinet at the same time, install Revolving Pole & Plastic gasket

