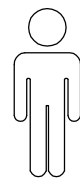
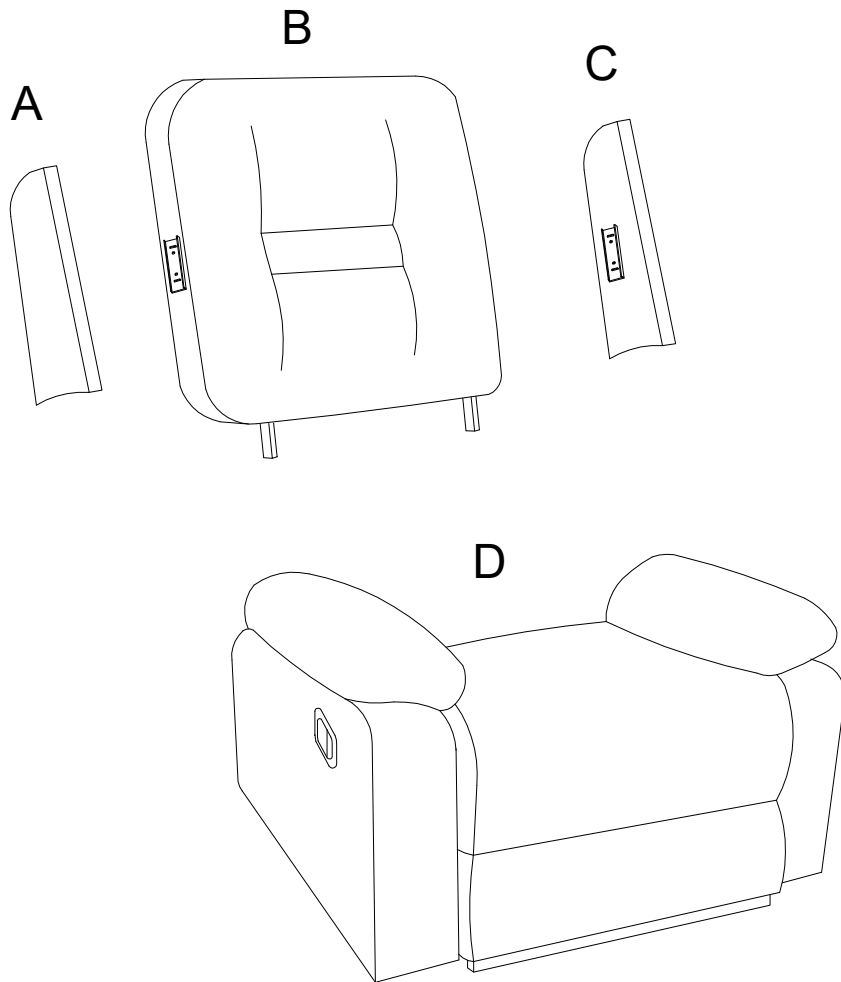
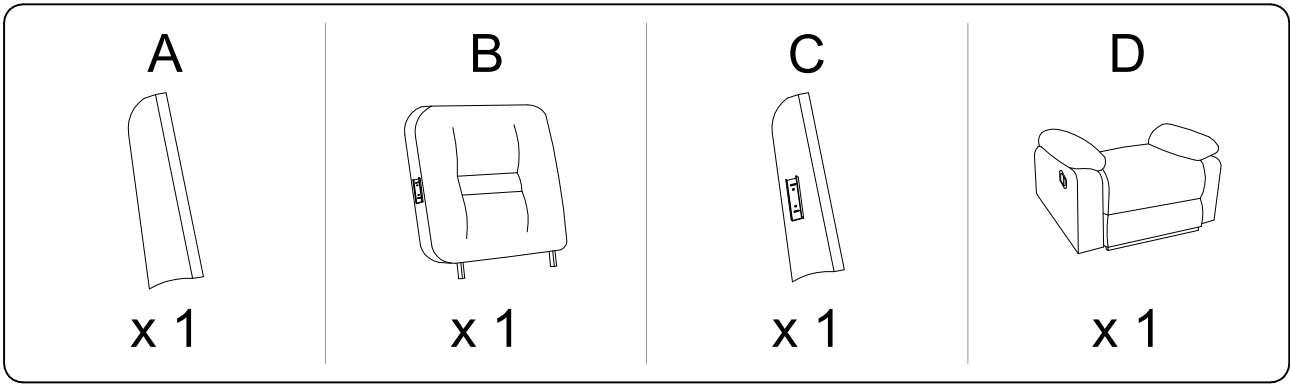


15'



1



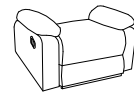
1

B

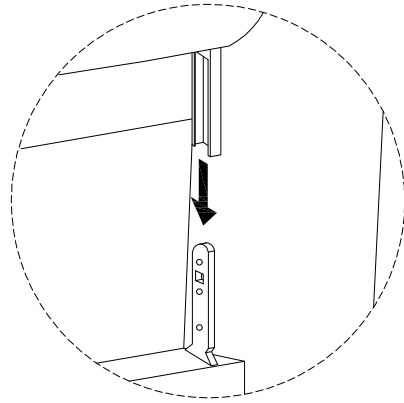
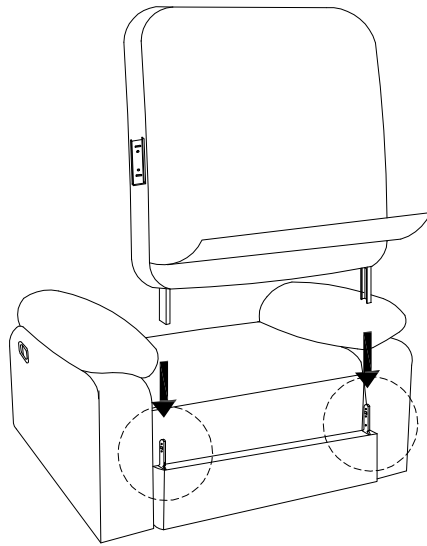


x 1

D



x 1



2

A

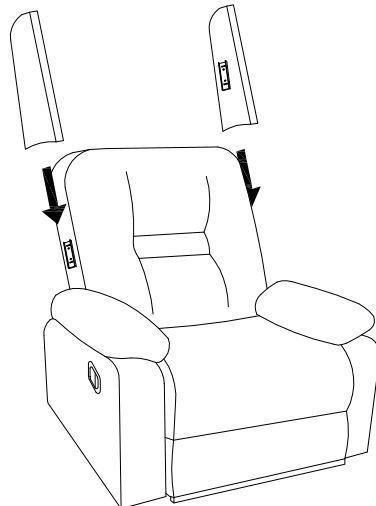


x 1

C



x 1



!

