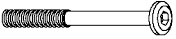


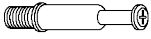

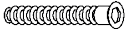





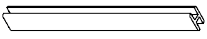


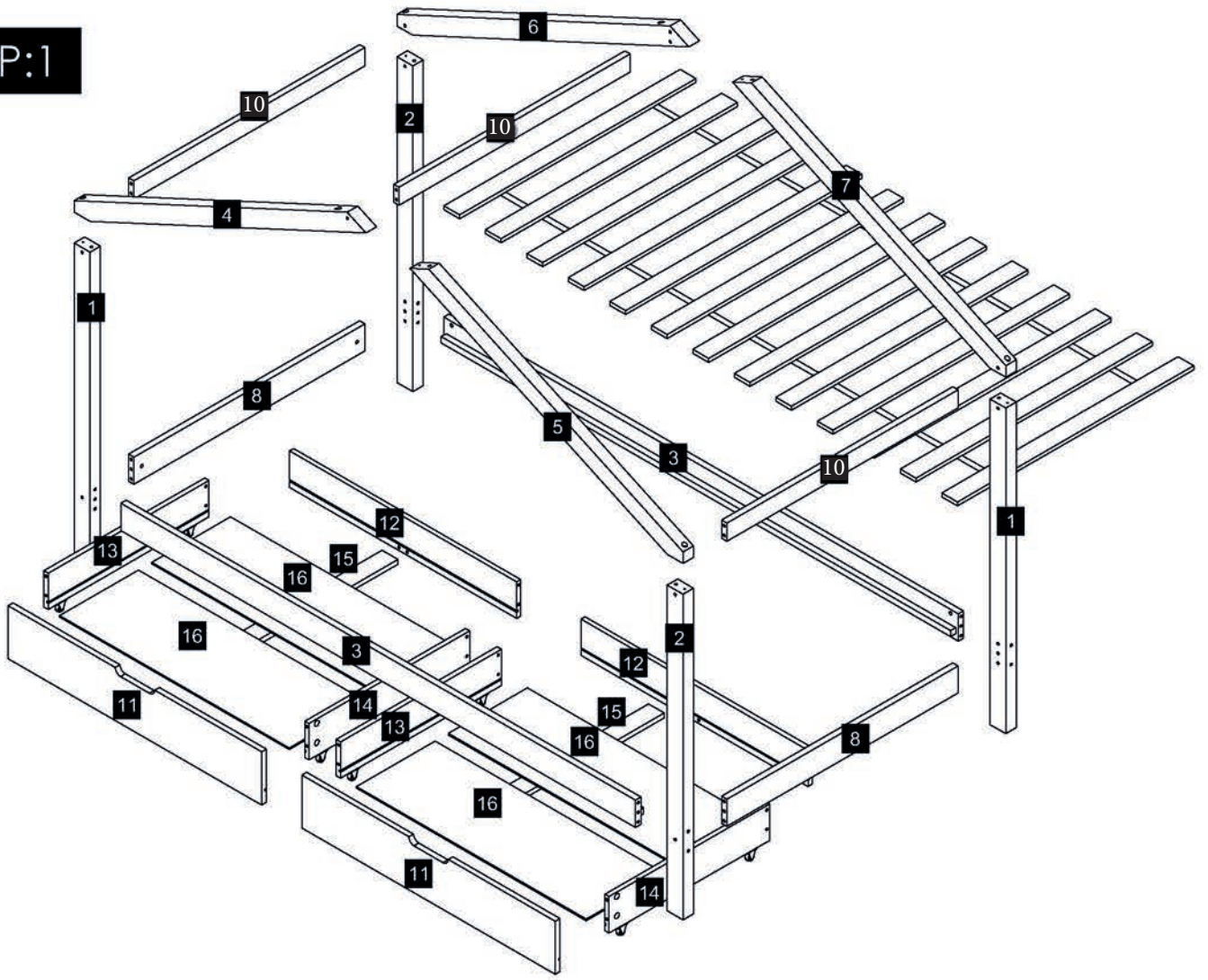
A		M6*100	8
B		M6*80	4
C			12

H			12
J			12

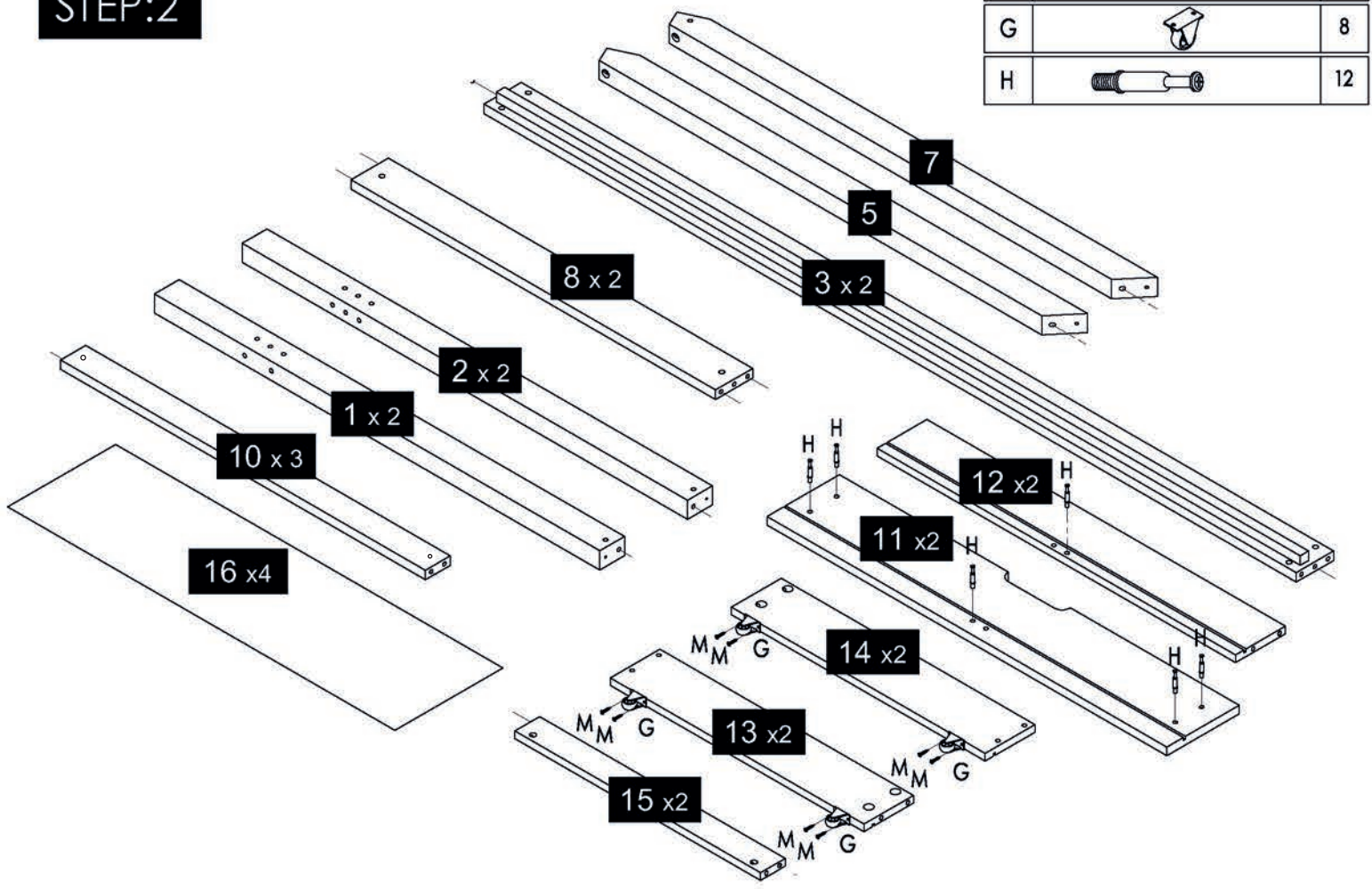
E		Φ7*50	8
F			1
G			8



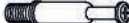
L		Φ6*110	2
M		3*16	16
N		4*30	26
P		850 mm	2

STEP:1

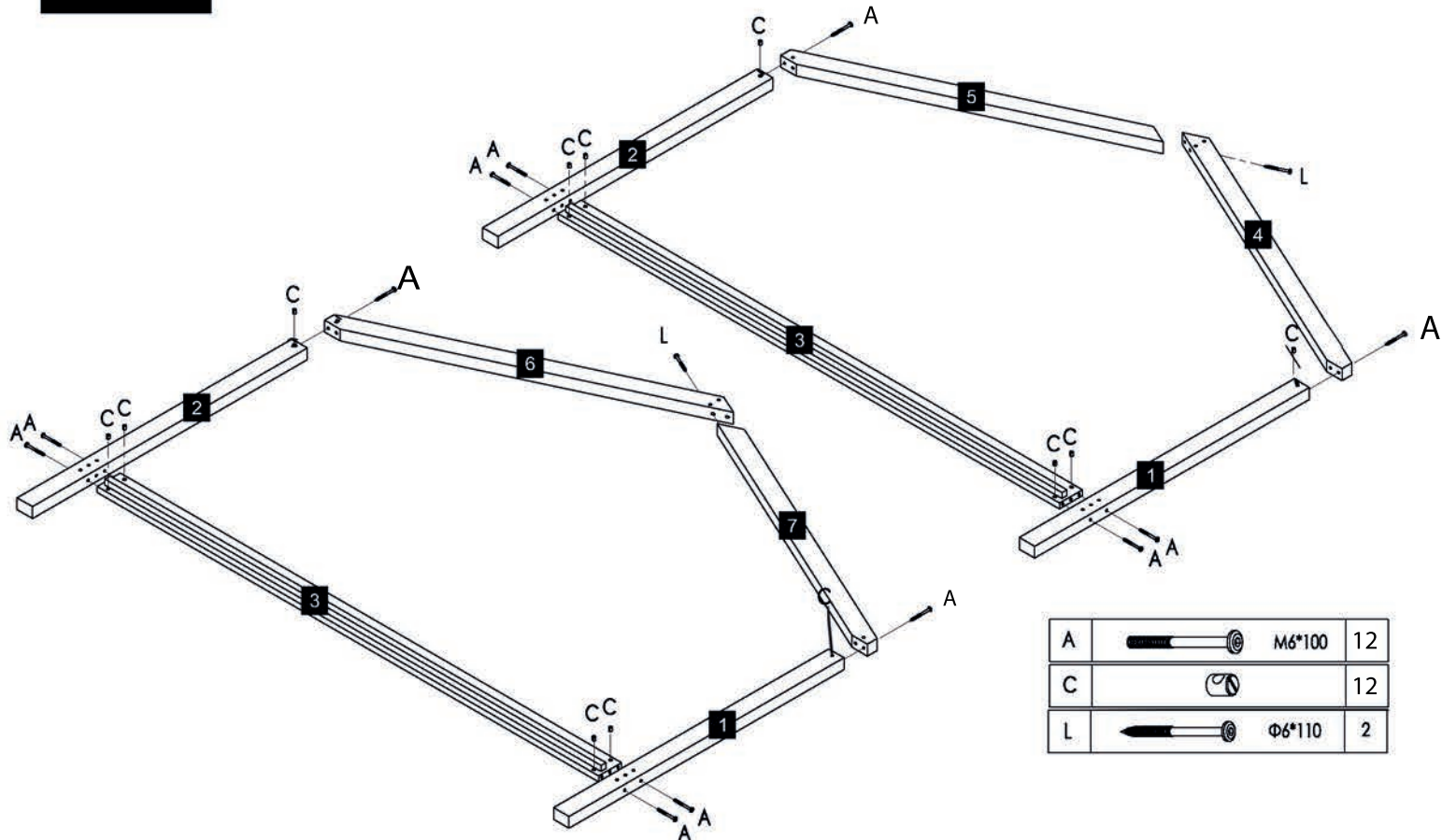





STEP:2



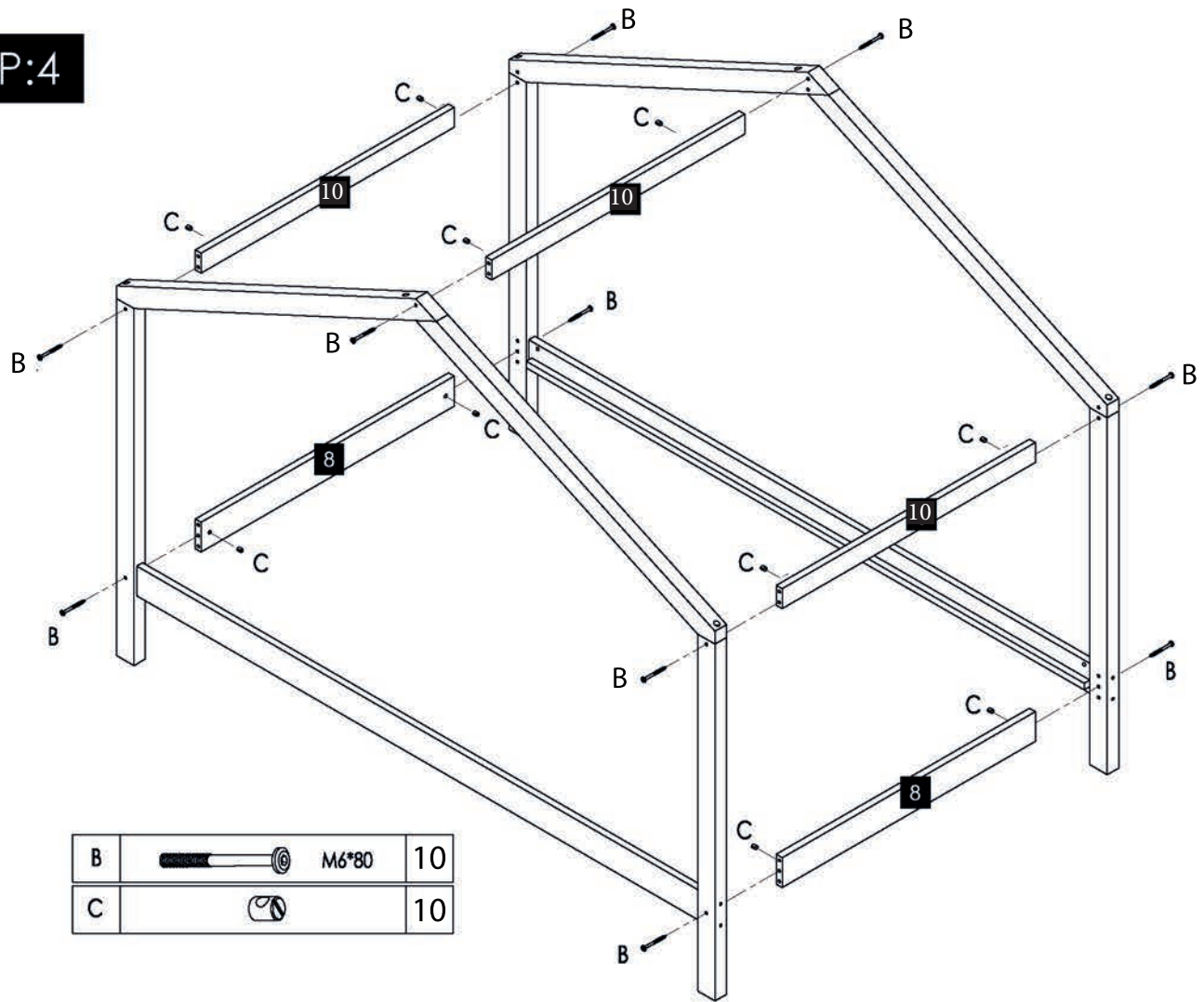
M	 3*16	16
G		8
H		12



STEP:3



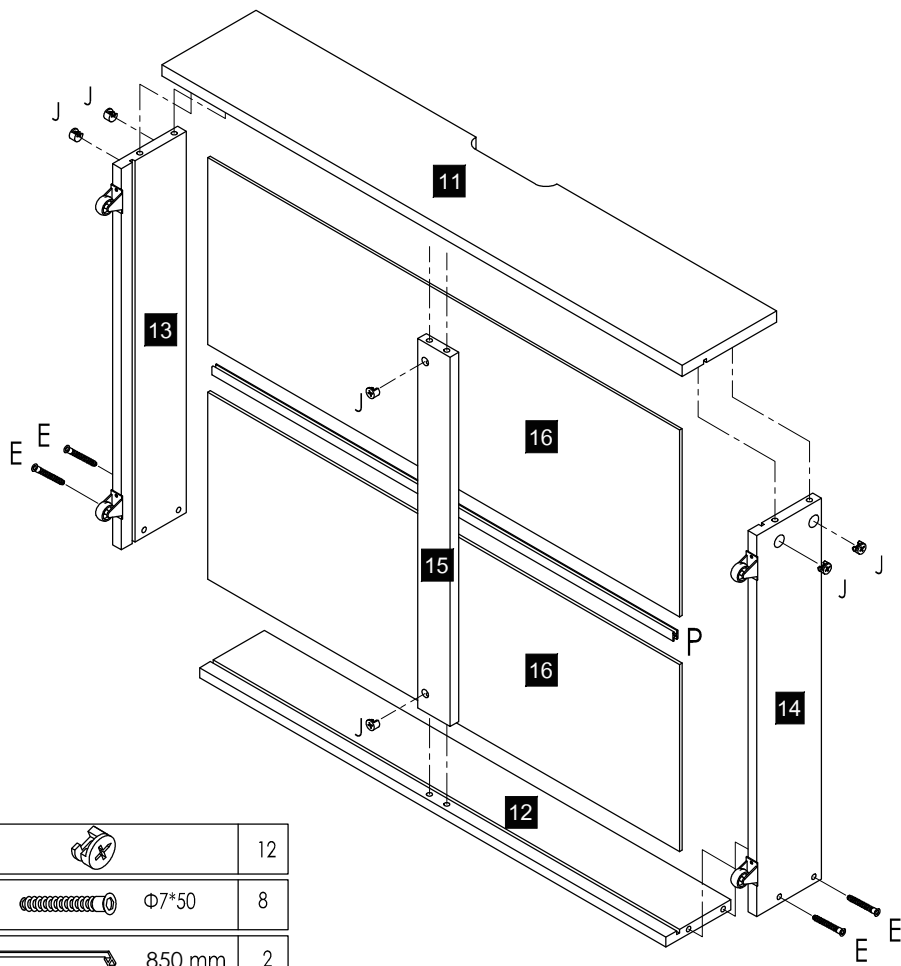
A		M6*100	12
C			12
L		Φ6*110	2

STEP:4



B		M6*80	10
C			10

STEP:5 x2



STEP:6

