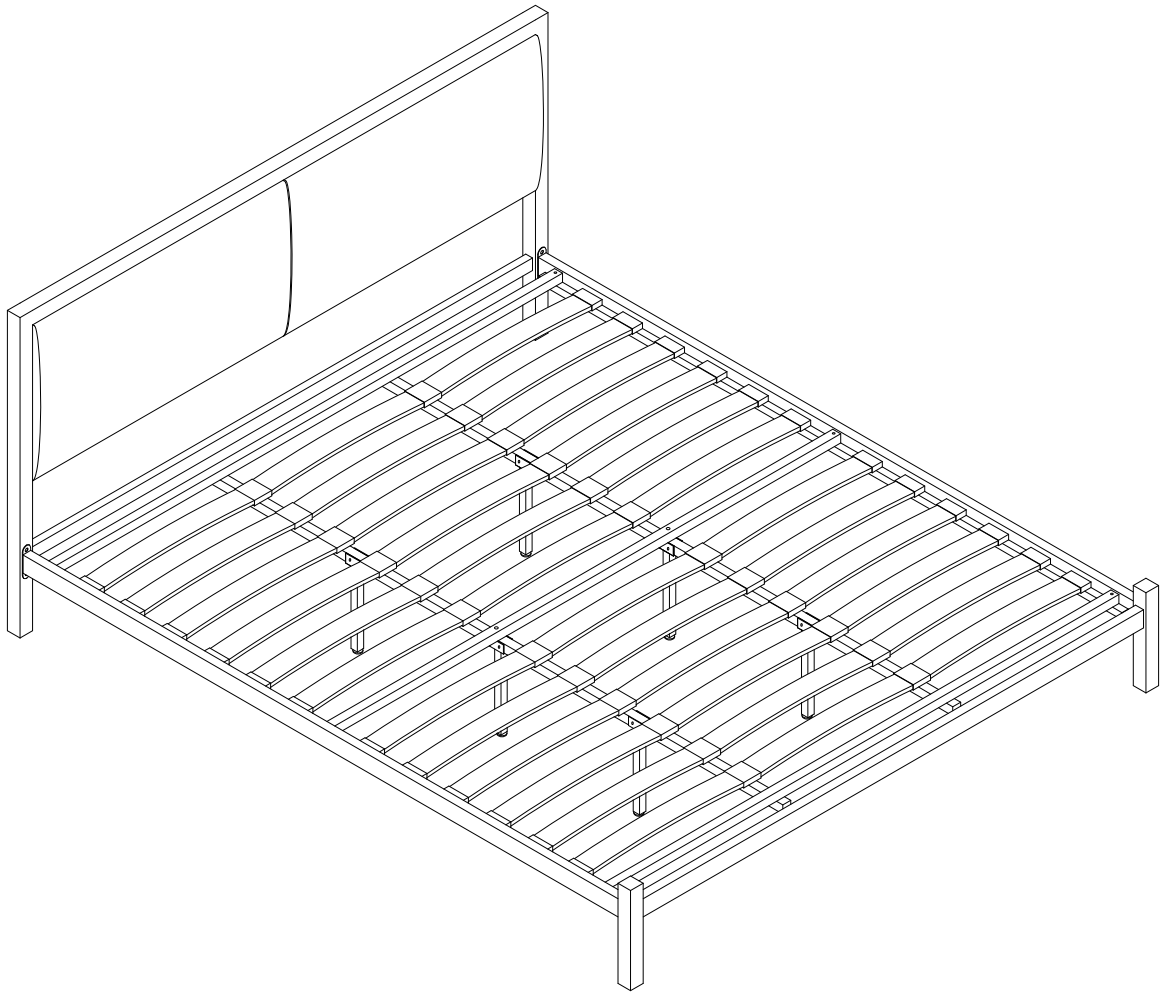
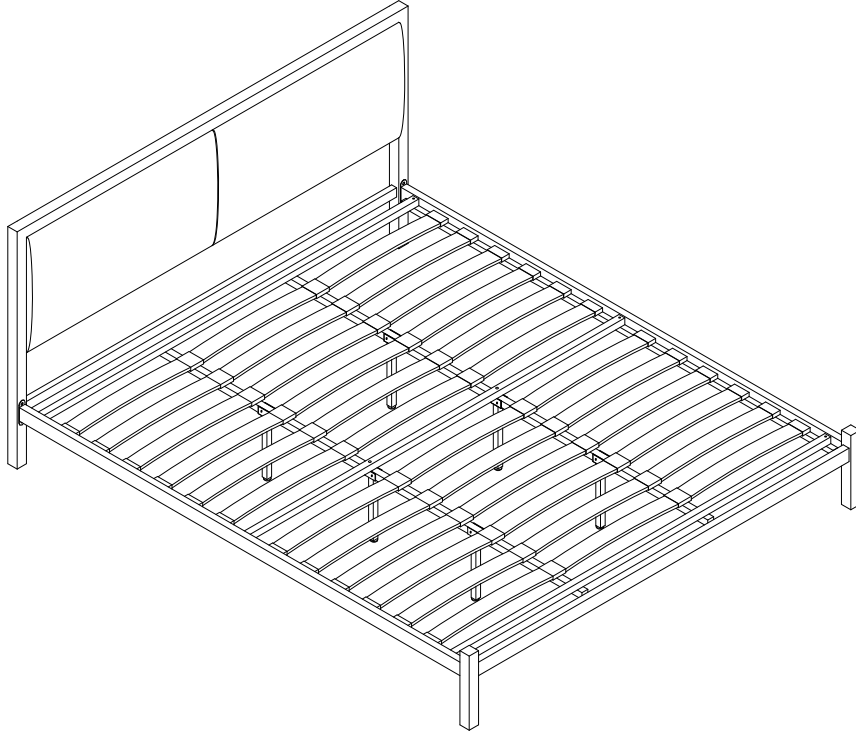
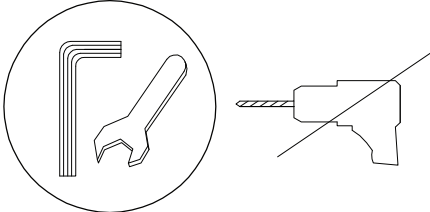

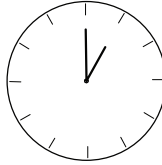
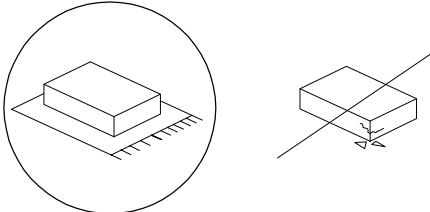
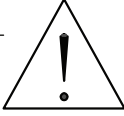

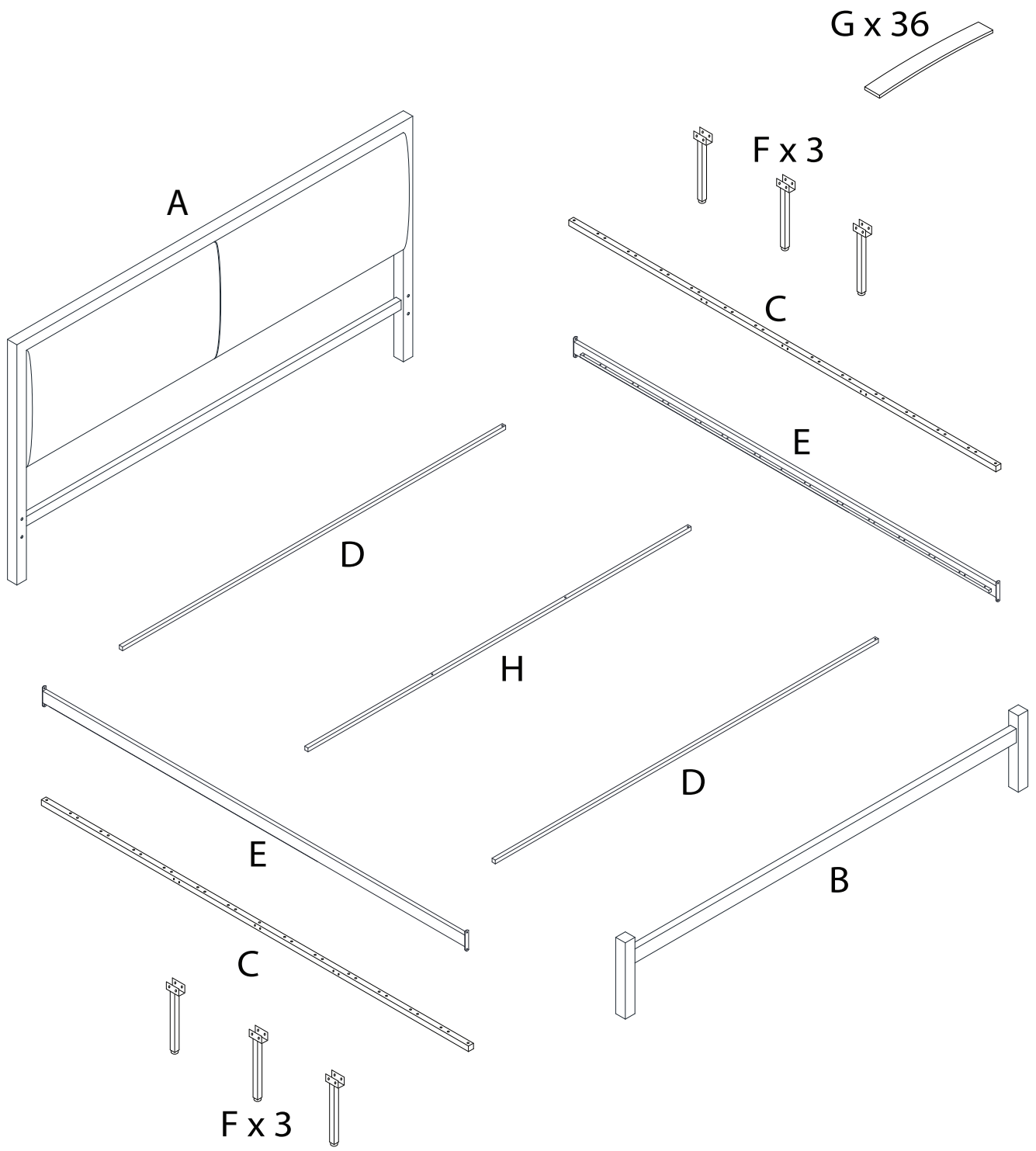


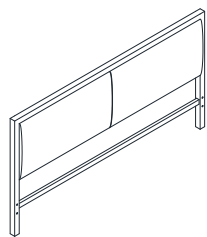
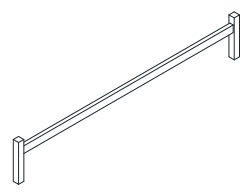
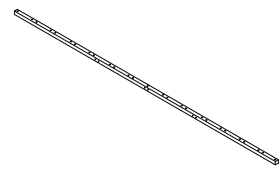
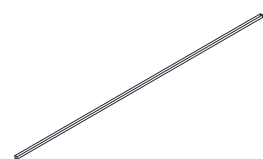
CLAMART



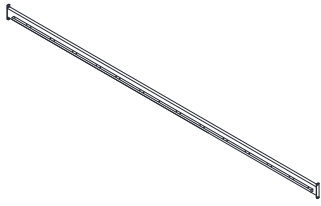


		
		60'
		
		2



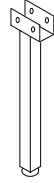
A	B	C	D
			
x 1	x 1	x 2	x 2

E



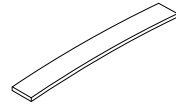
x 2

F



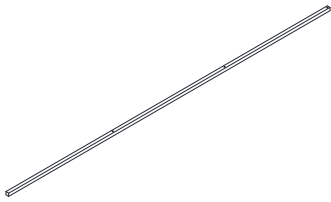
x 6

G



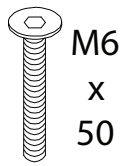
x 36

H



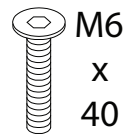
x 1

I



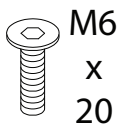
x 6

J



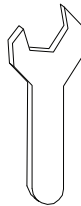
x 18

K



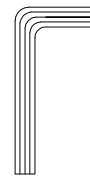
x 16

L



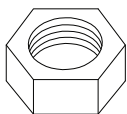
x 1

M



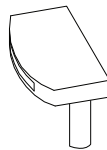
x 1

N



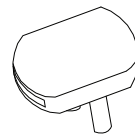
x 18

O



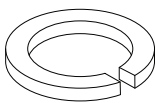
x 24

P



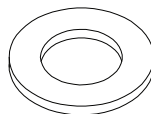
x 24

Q



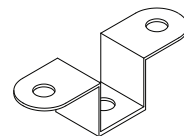
x 8

R



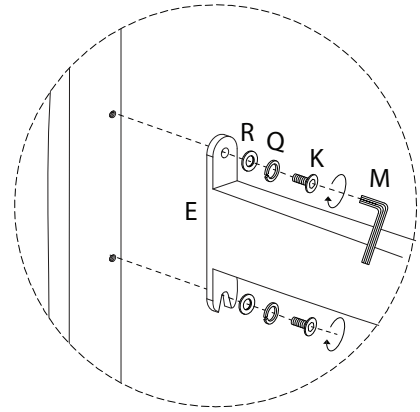
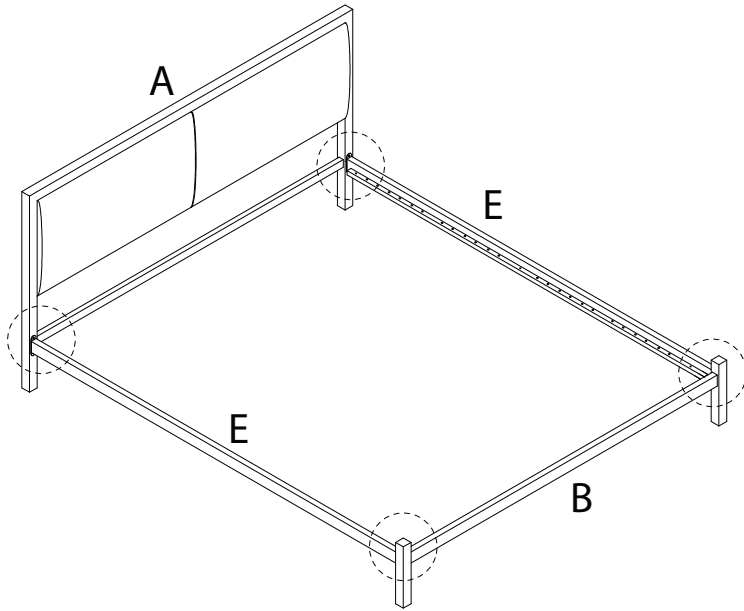
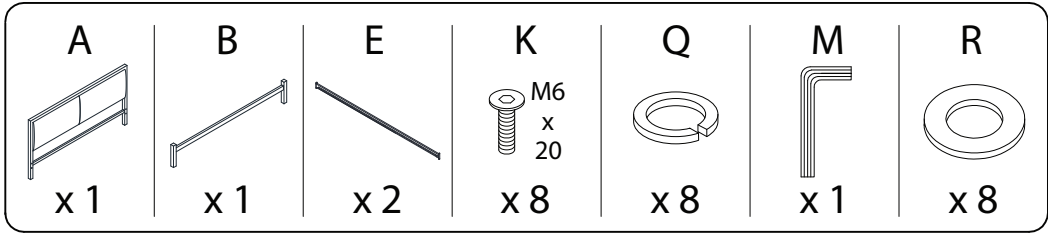
x 46

S

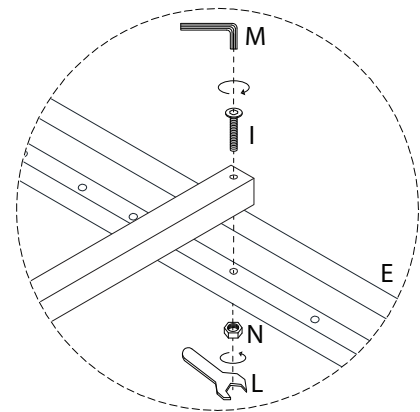
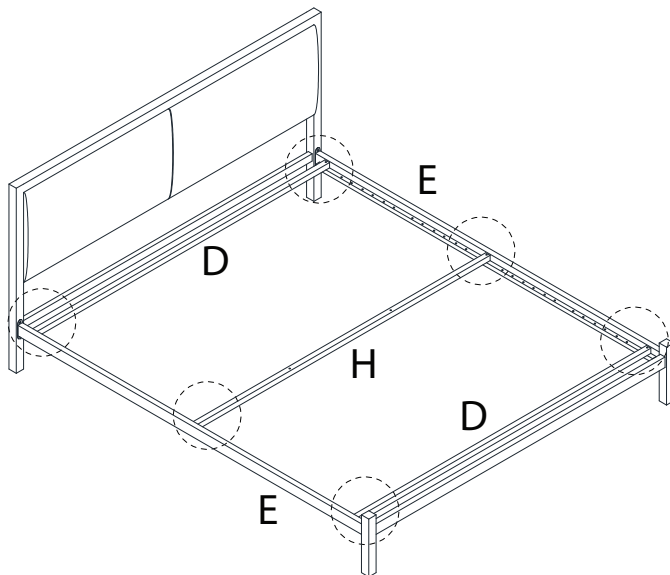
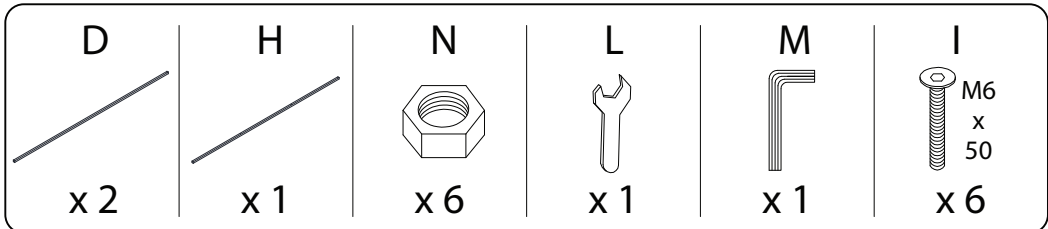


x 4



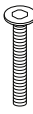

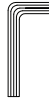
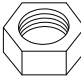
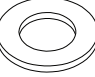
1

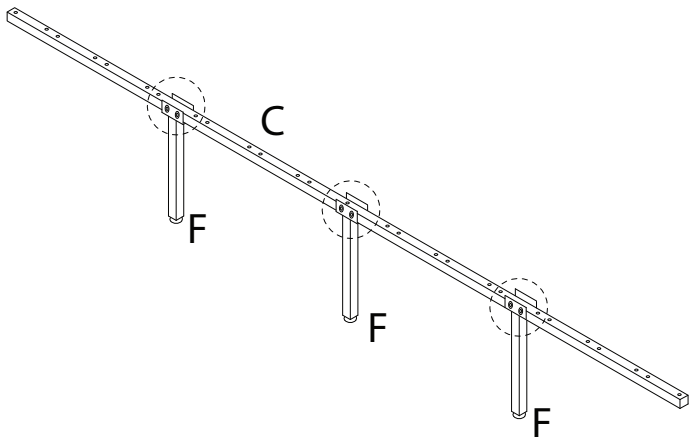


2

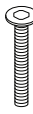

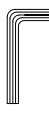

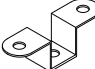


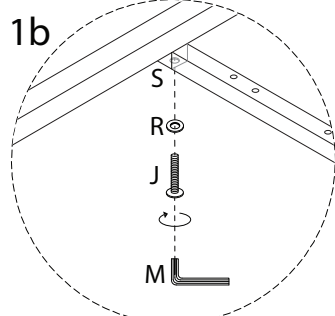
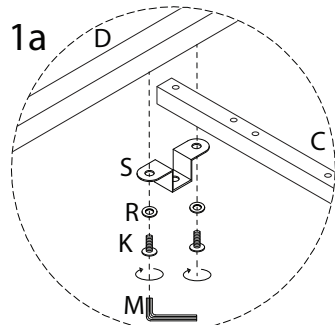
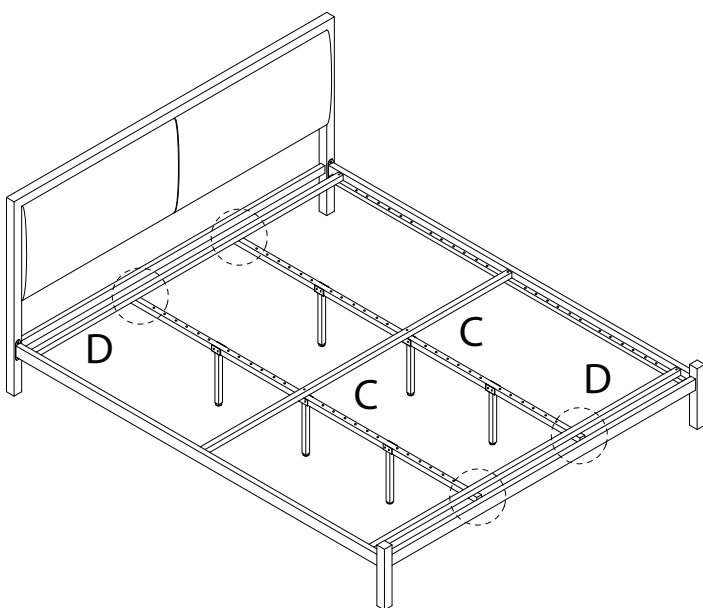
3 x 2

C  x 1	F  x 3	J M6 x 40  x 6	L  x 1	M  x 1	N  x 6	R  x 12
---	---	---	---	---	---	--

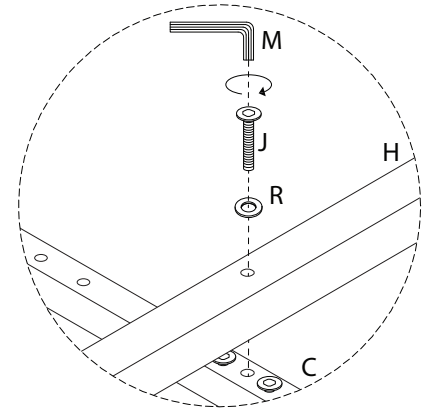
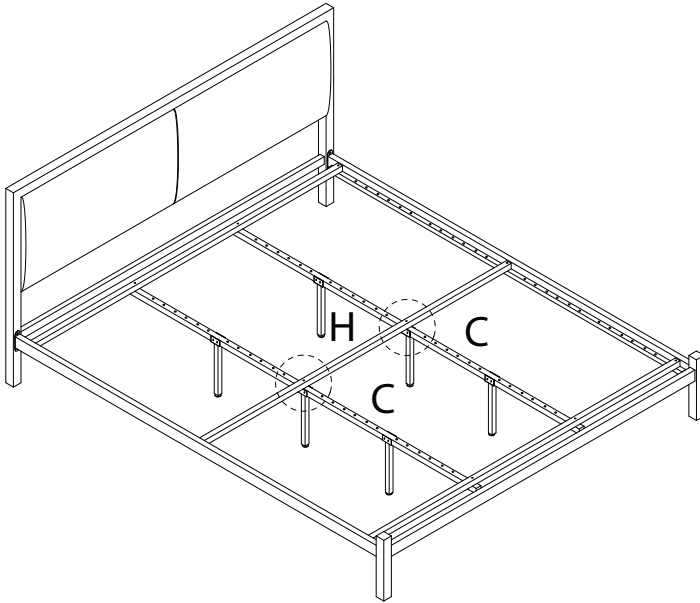
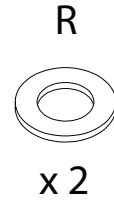
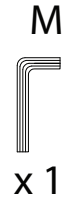
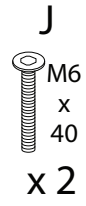


4

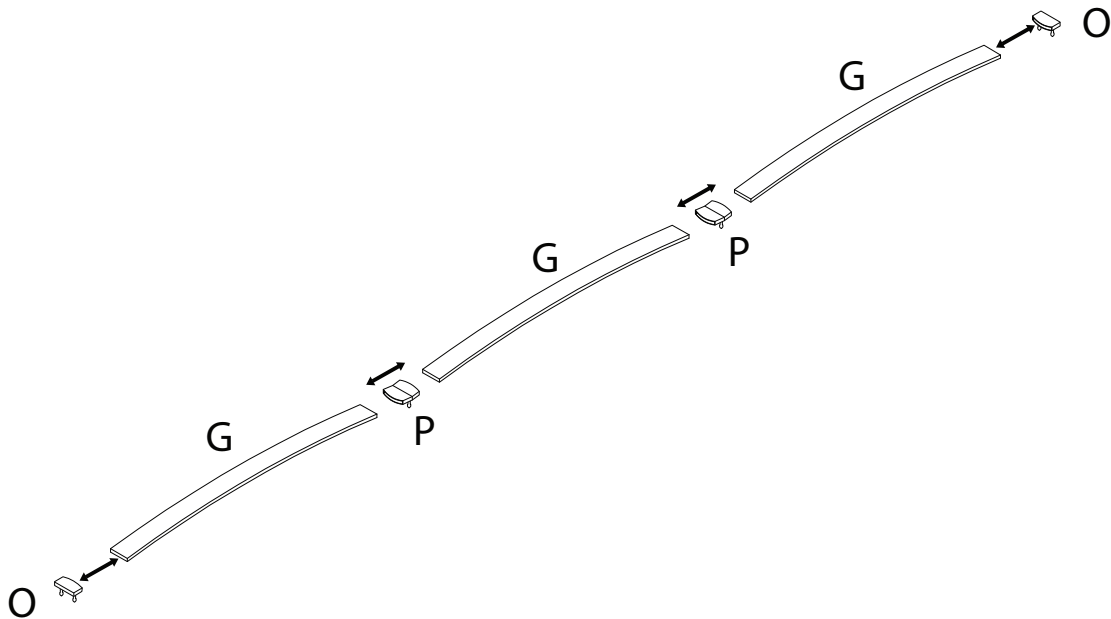
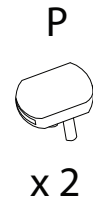
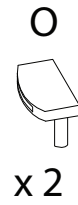
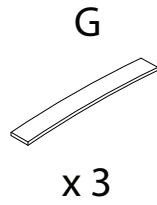
J M6 x 40  x 4	K M6 x 20  x 8	M  x 1	R  x 8	S  x 4
---	---	---	---	---



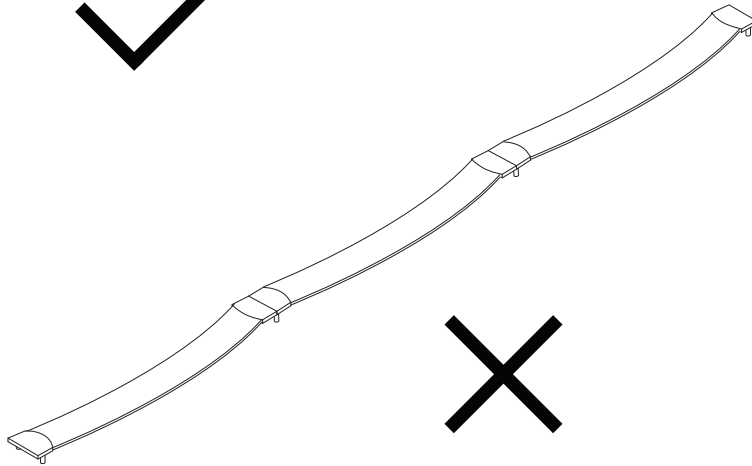
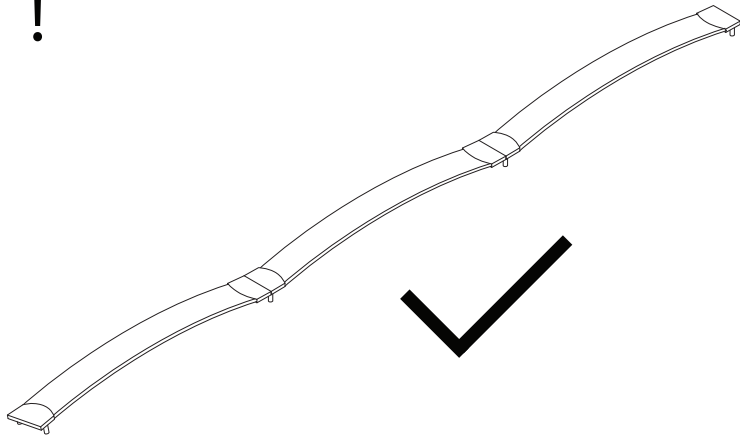
5



6 x 12



!



7

