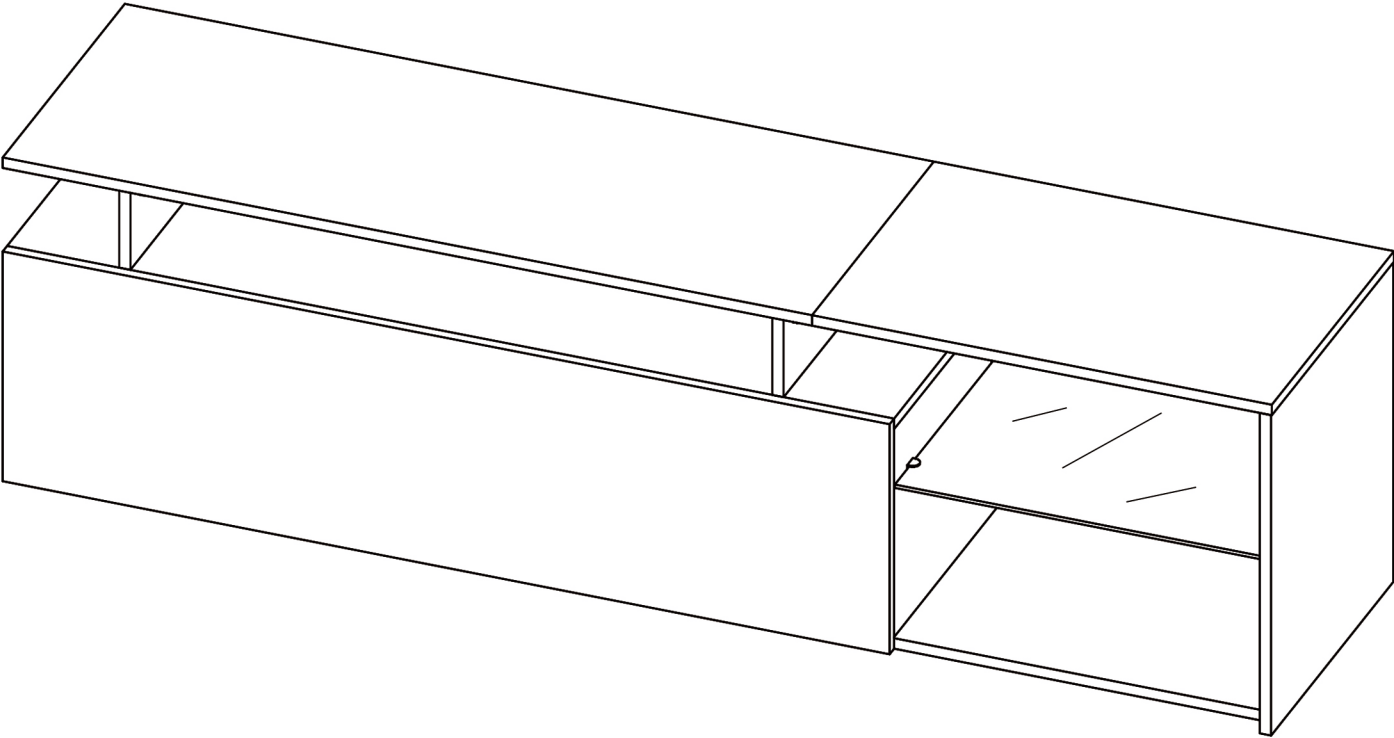
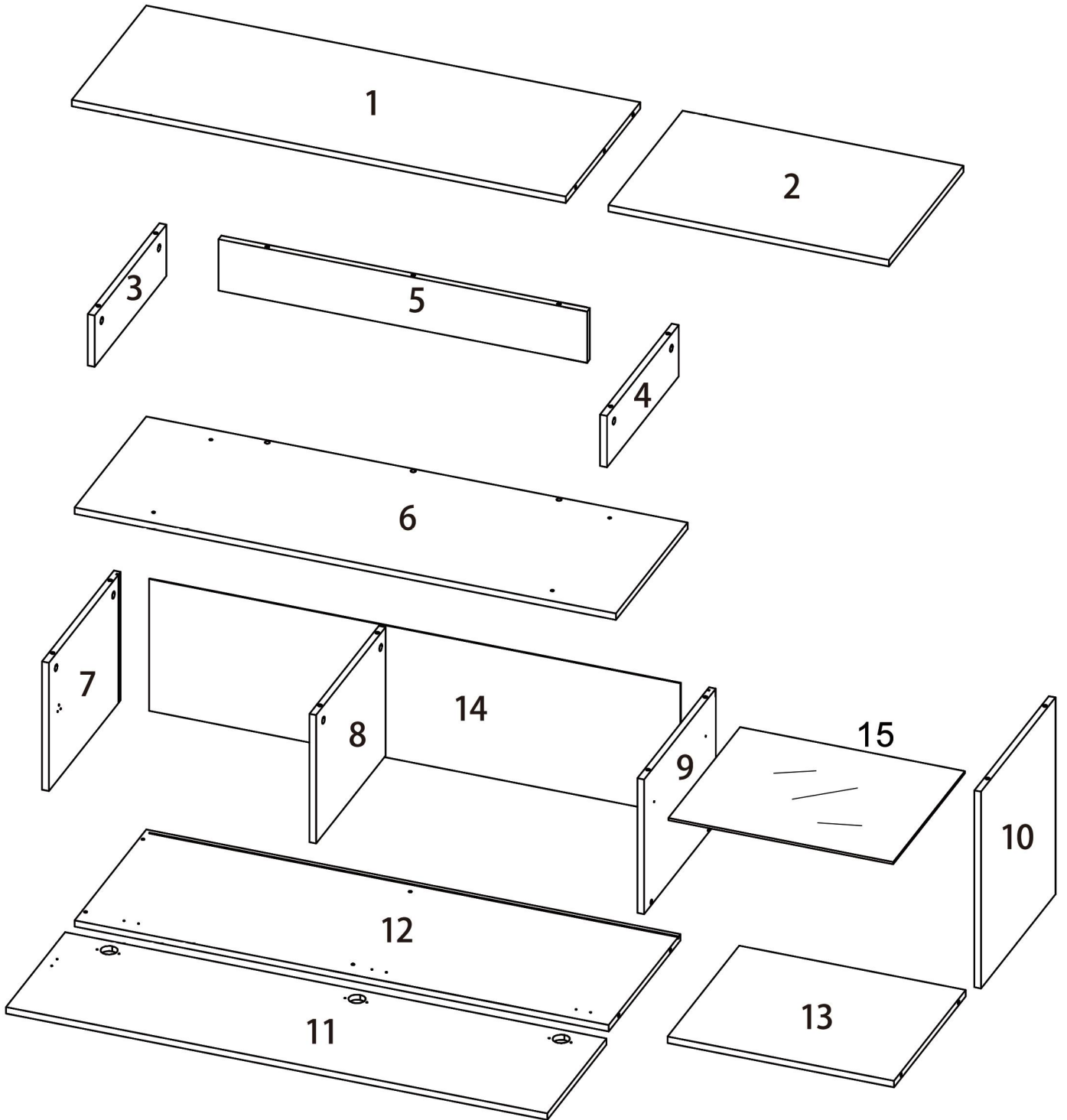


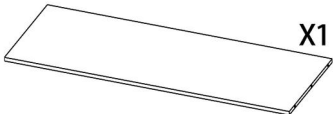
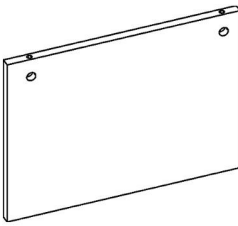
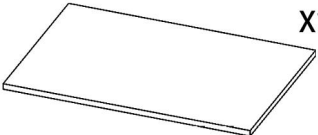
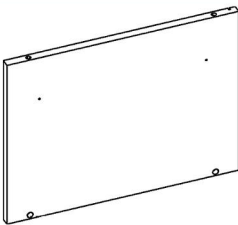
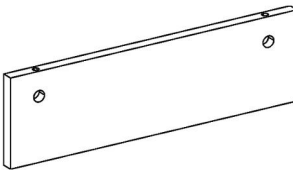
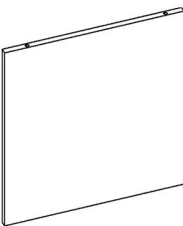

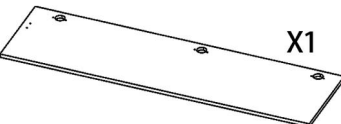
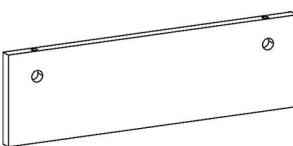
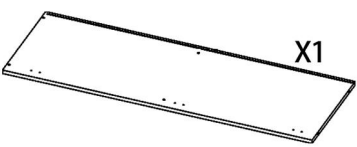
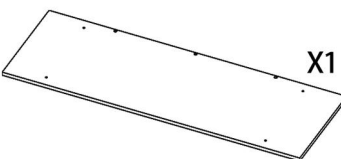
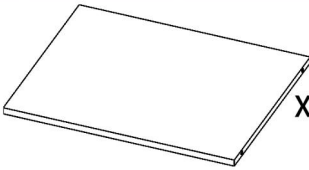
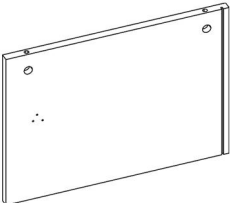
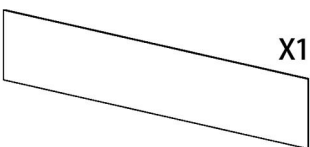
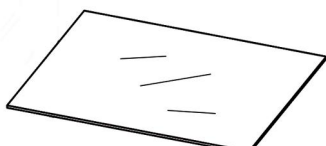
Assembly Instruction





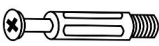

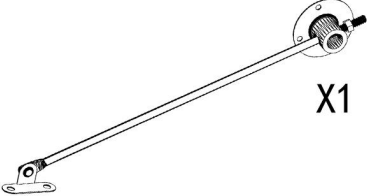

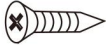


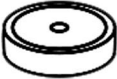
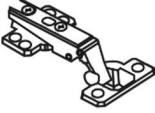

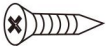
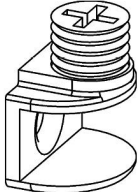
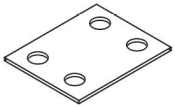

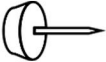
Unit: (mm)

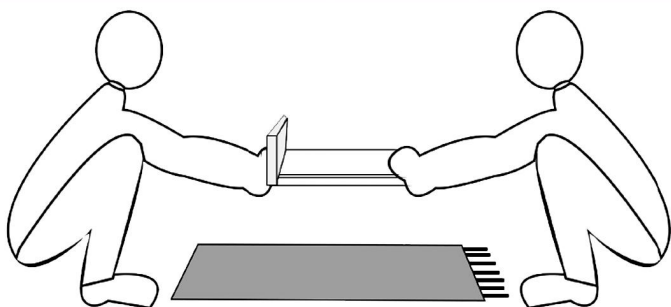
PARTS LIST

1	 X1	1084x400	1/2	8	 X1	264x386	2/2
2	 X1	616x400	1/2	9	 X1	278.5x400	1/2
3	 X1	146x400	2/2	10	 X1	446x400	2/2
4	 X1	146x400	2/2	11	 X1	1190x298	1/2
5	 X1	820x146	1/2	12	 X1	1174x400	1/2
6	 X1	1190x400	1/2	13	 X1	495x400	2/2
7	 X1	264x400	2/2	14	 X1	1167x273	1/2
15	 X1	489x398	2/2				

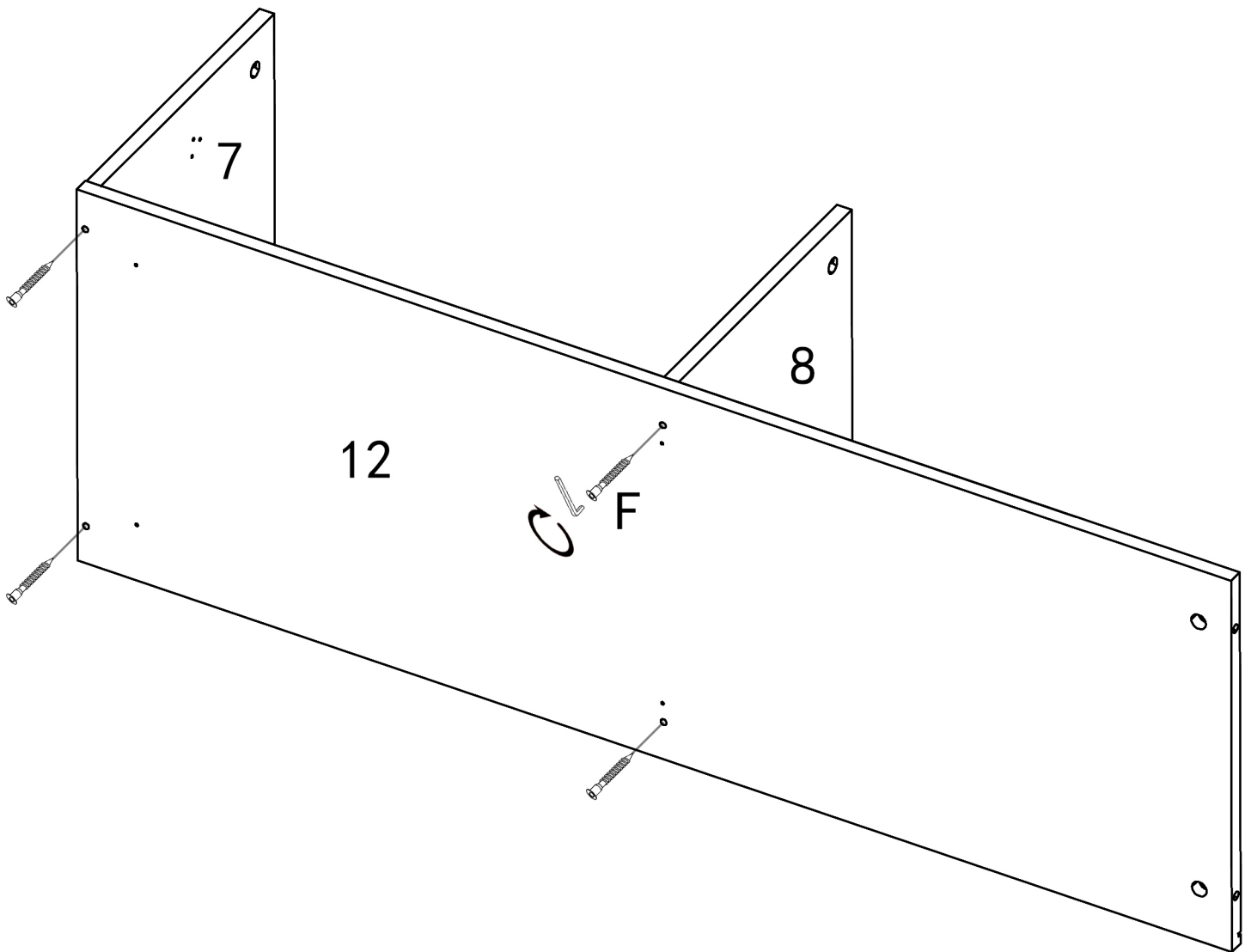
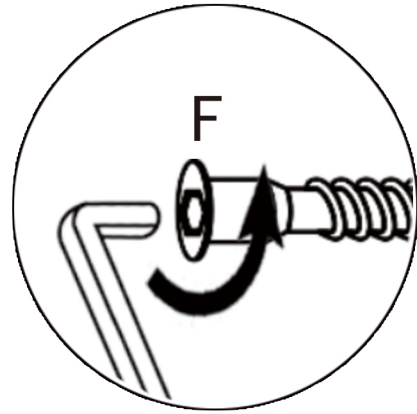
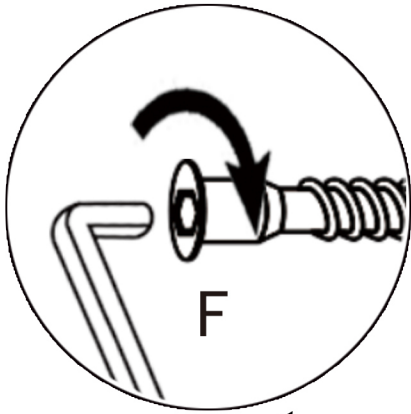
Unit: (mm)

ACCESSORIES LIST

A	 X24	6x40	1/2	B	 X24	15x11	1/2
C	 X1	pull rod	1/2	D	 X3	8x40	1/2
E	 X41	M3. 5x14	1/2	F	 X8  X1	M5x40/#3	1/2
G	 X6	10x40	1/2	H	 X3	Hinge	1/2
J	 X6  X6	M3x14	1/2	M	 X4	Glass clamp	1/2
L	 X2	37x37	1/2		 X12	21mm	1/2
N	 X2	5 × Φ12	1/2				



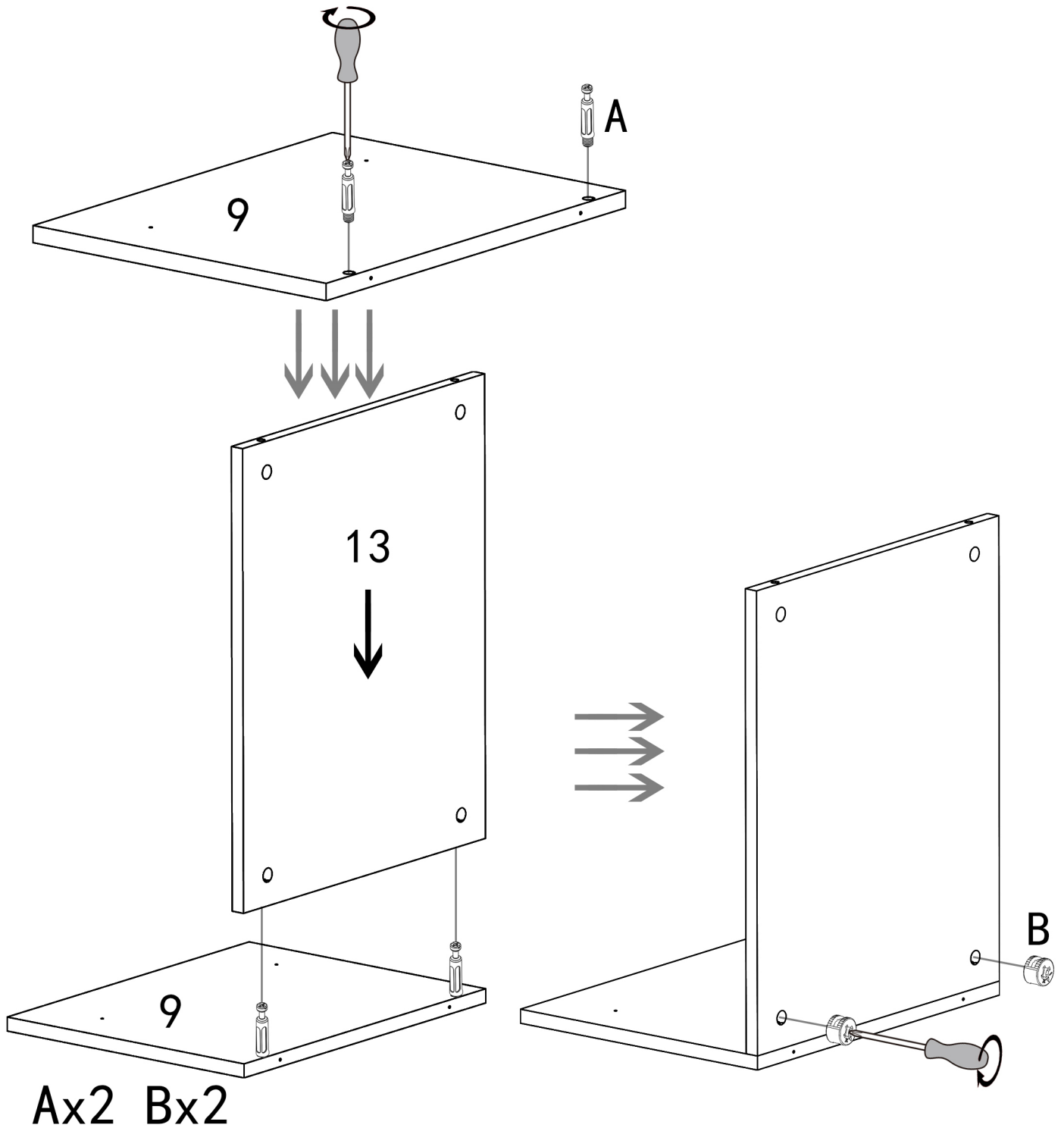
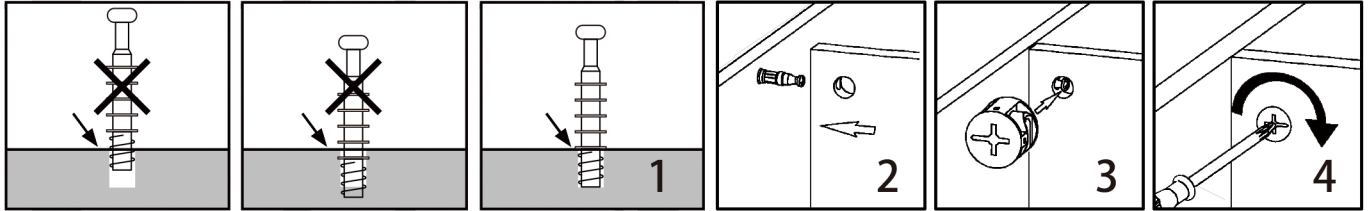
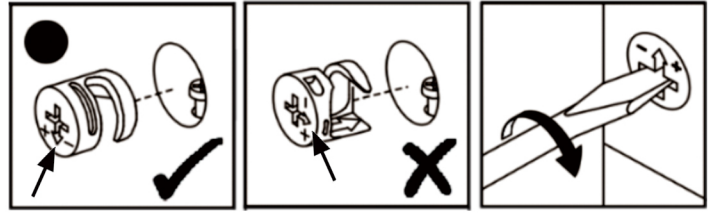
Step 1



Fx4

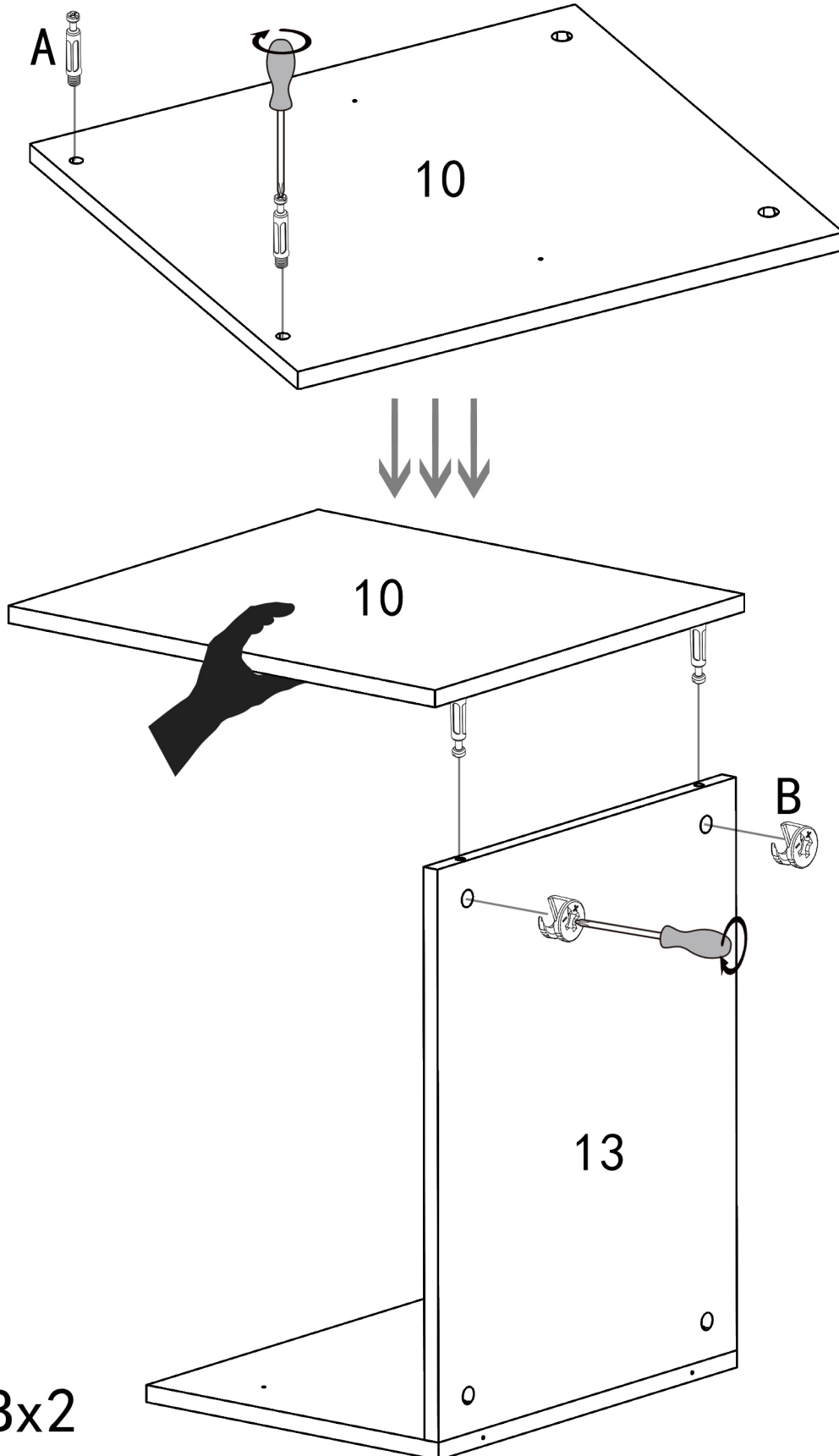
Step 2

Installation method of three in one rod and buckle



Step 3

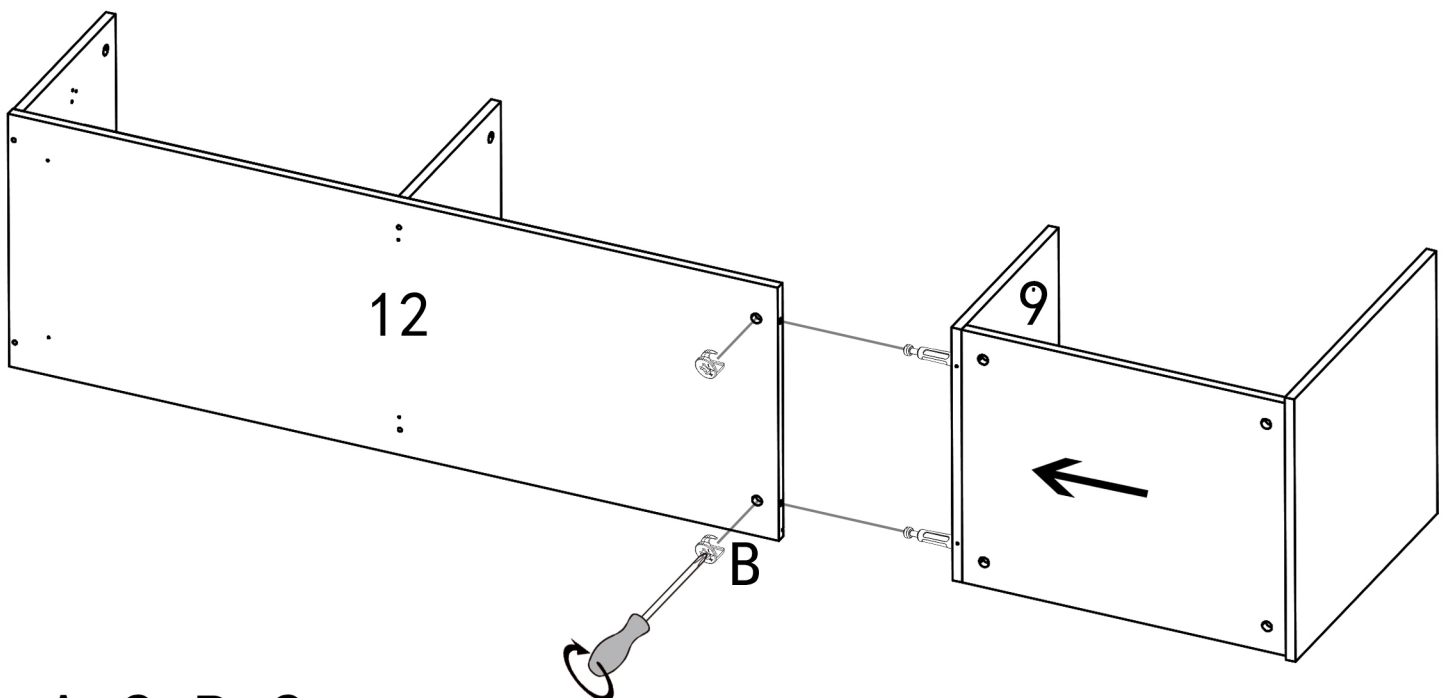
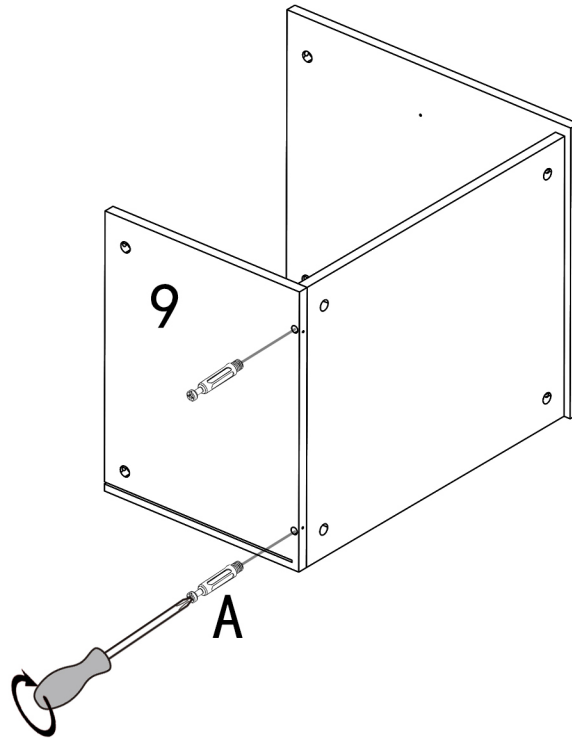
When installing accessories A and B, please refer to the installation method of the same accessories in step 2



Ax2 Bx2

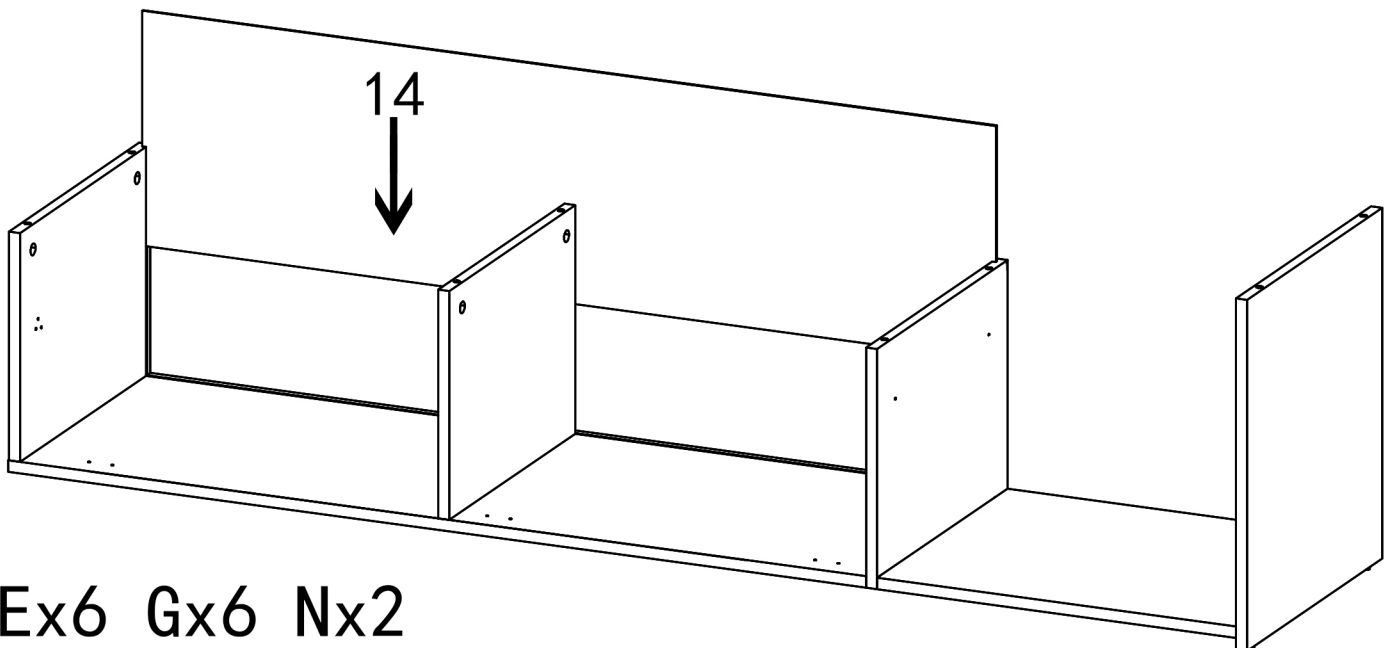
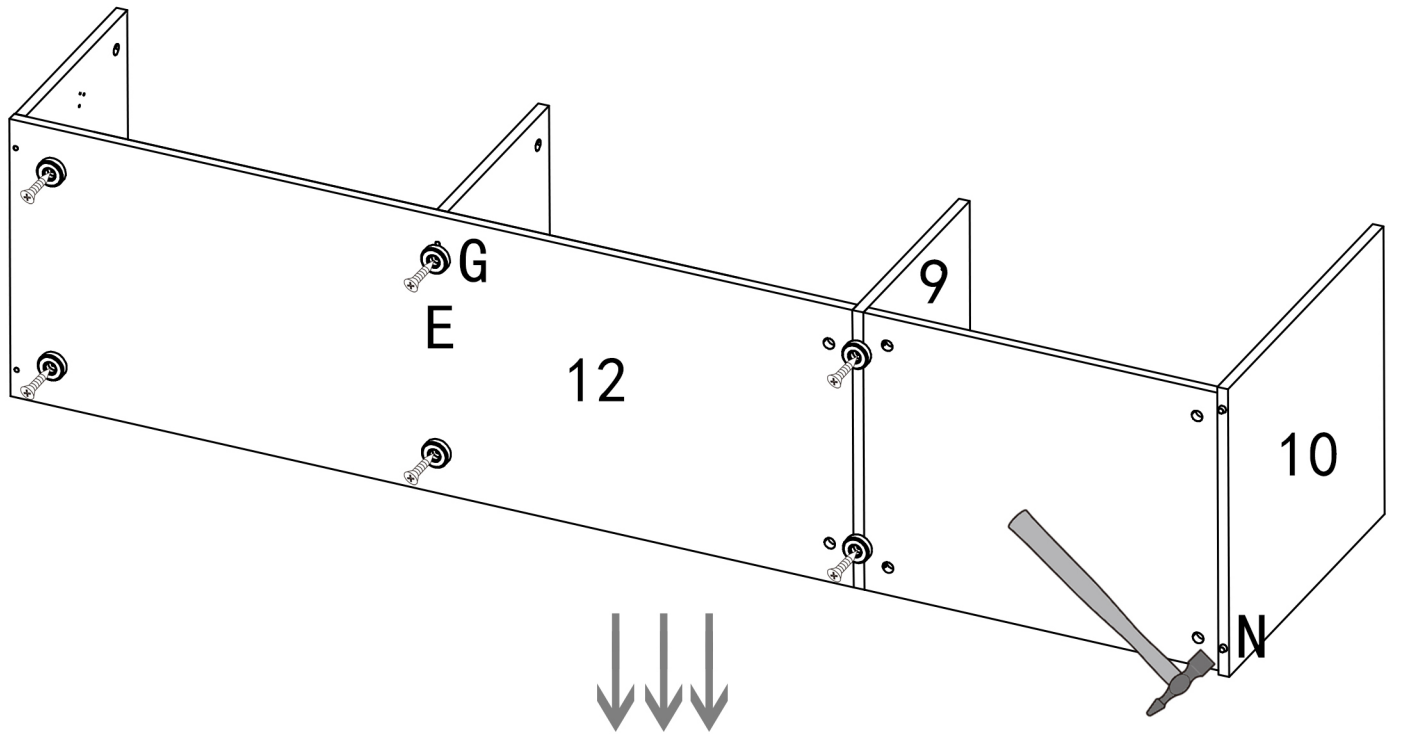
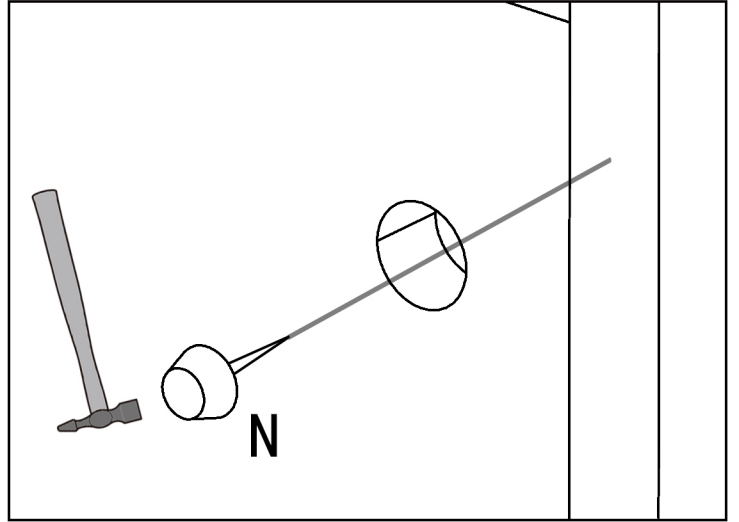
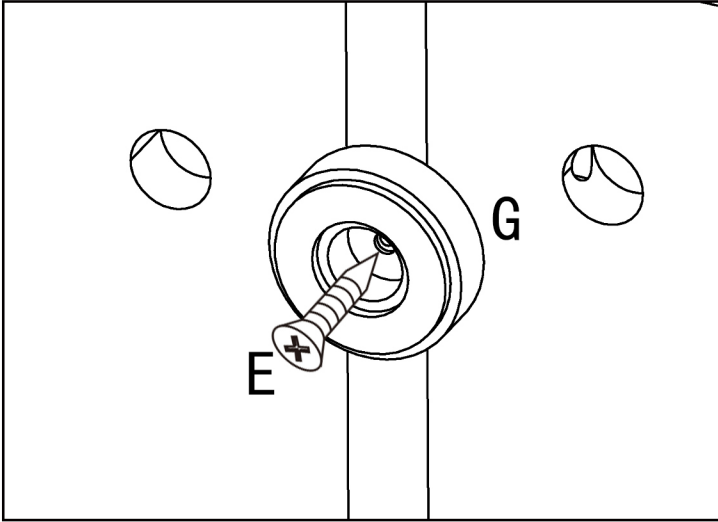
Step 4

When installing accessories A and B, please refer to the installation method of the same accessories in step 2



Ax2 Bx2

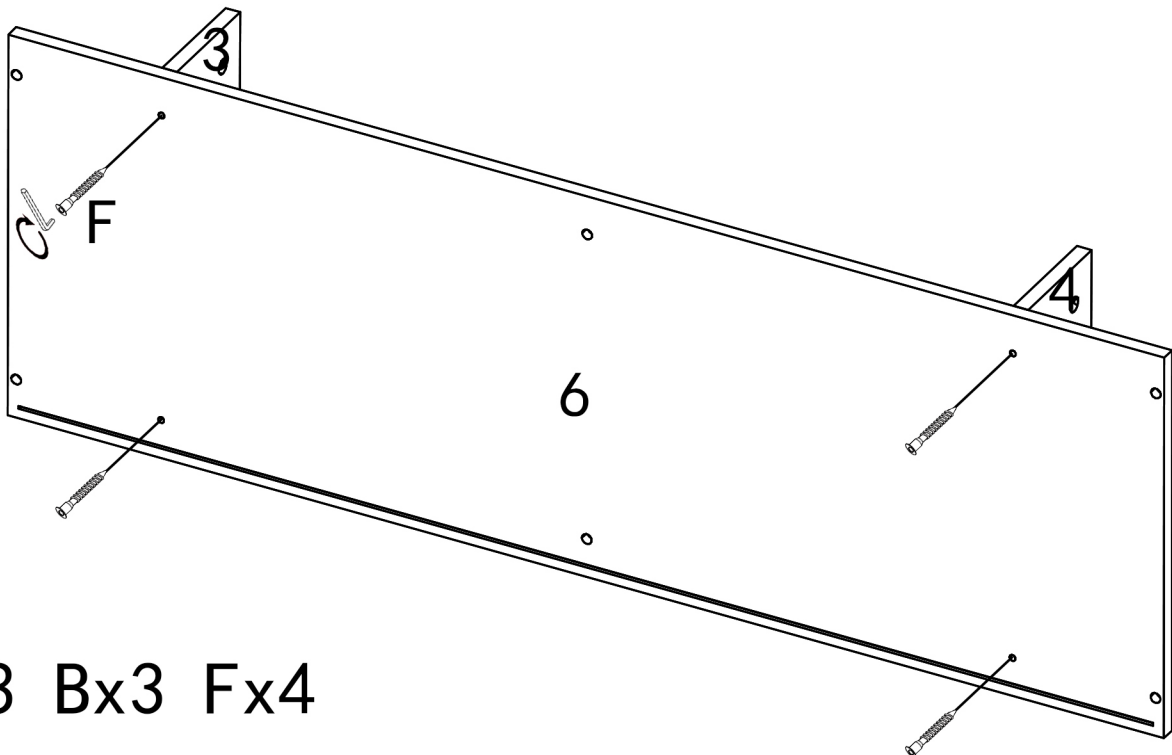
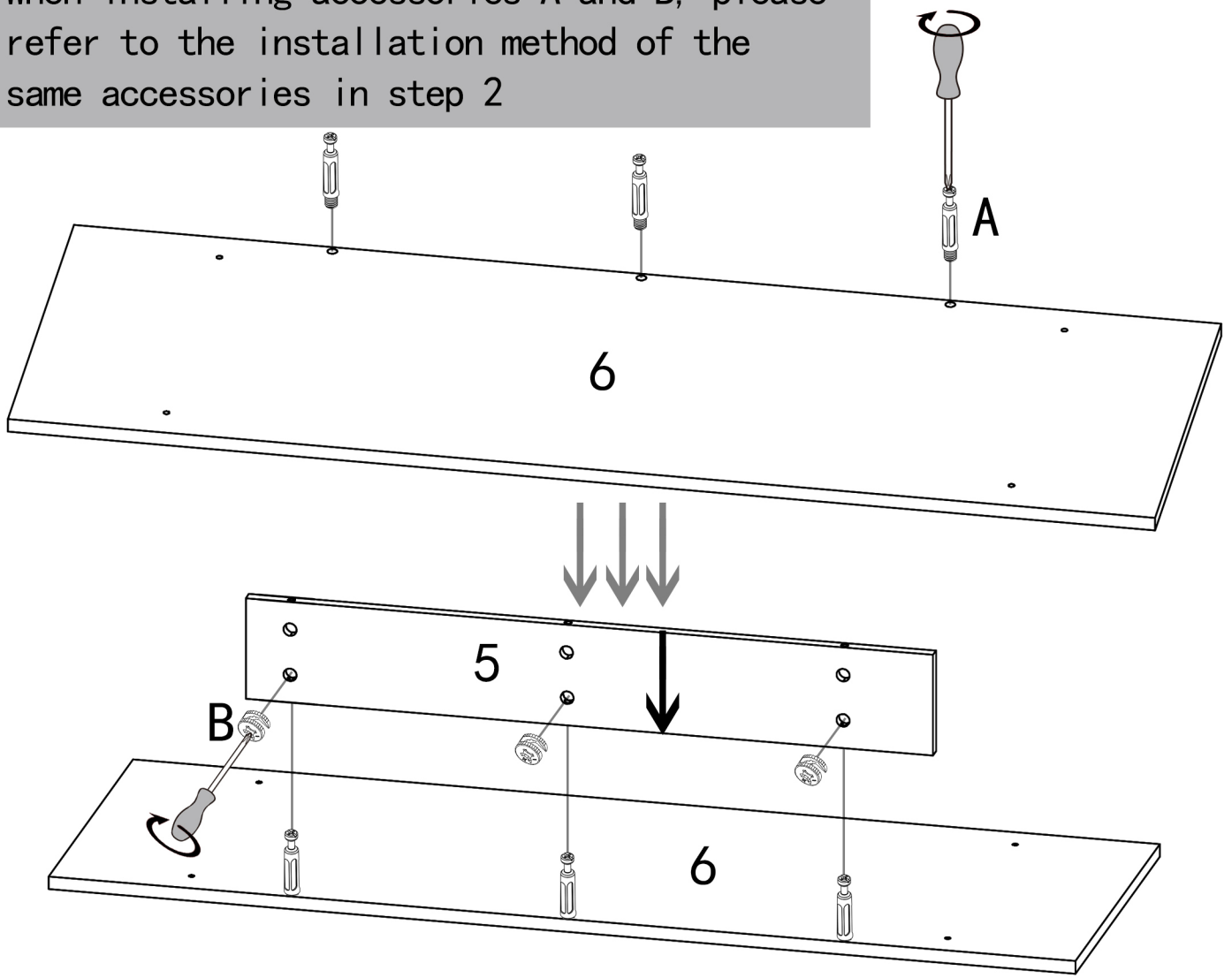
Step 5



Ex6 Gx6 Nx2

Step 6

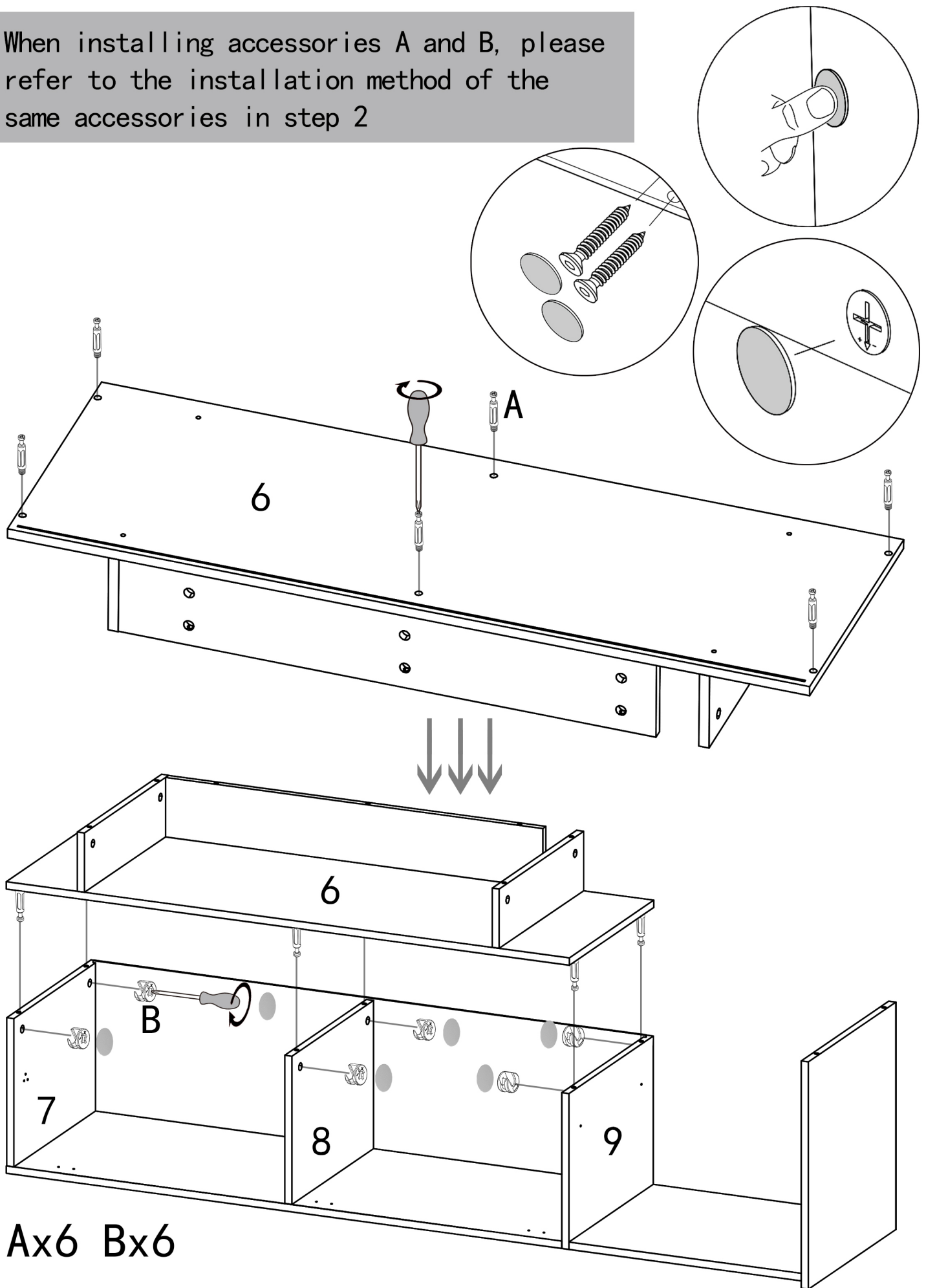
When installing accessories A and B, please refer to the installation method of the same accessories in step 2



Ax3 Bx3 Fx4

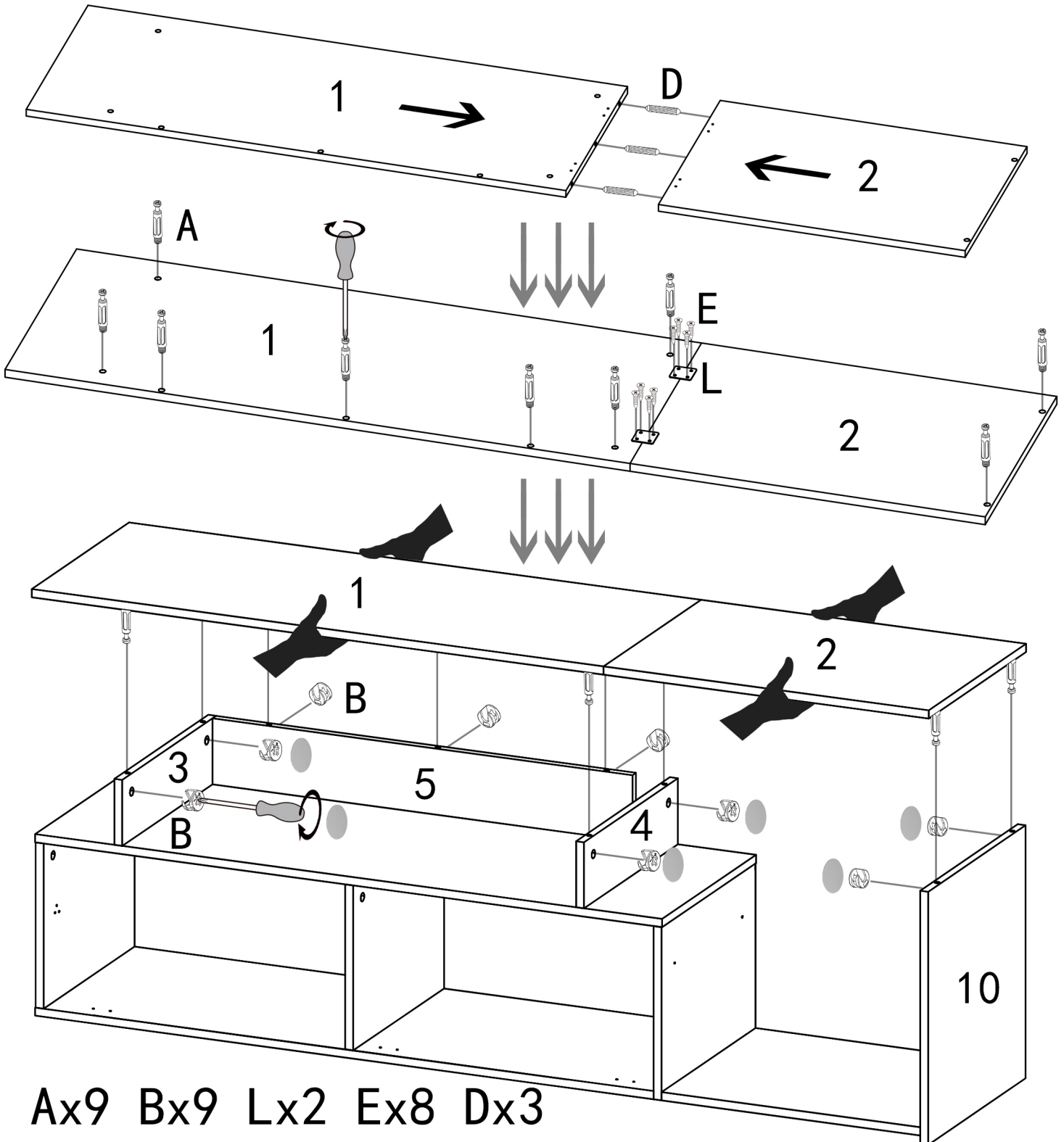
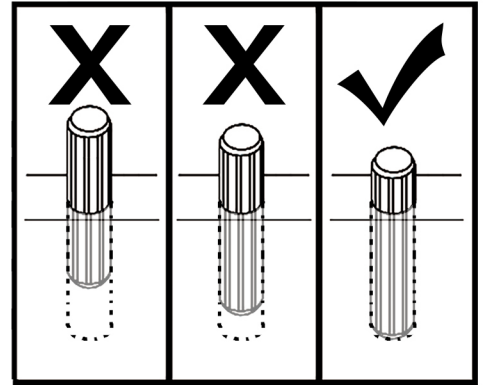
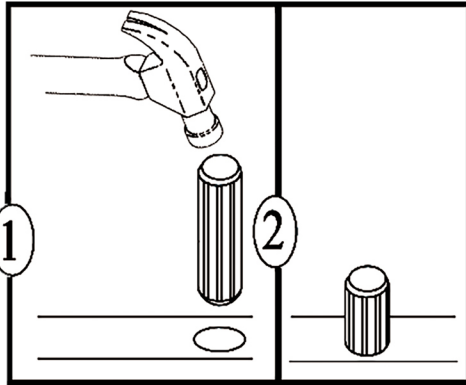
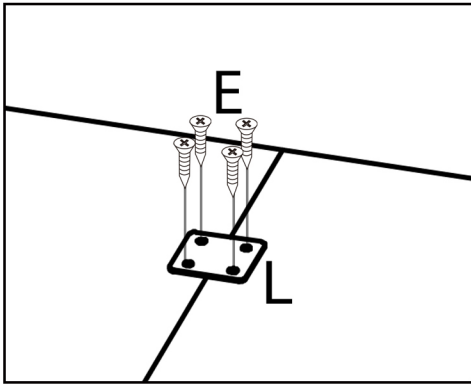
Step 7

When installing accessories A and B, please refer to the installation method of the same accessories in step 2



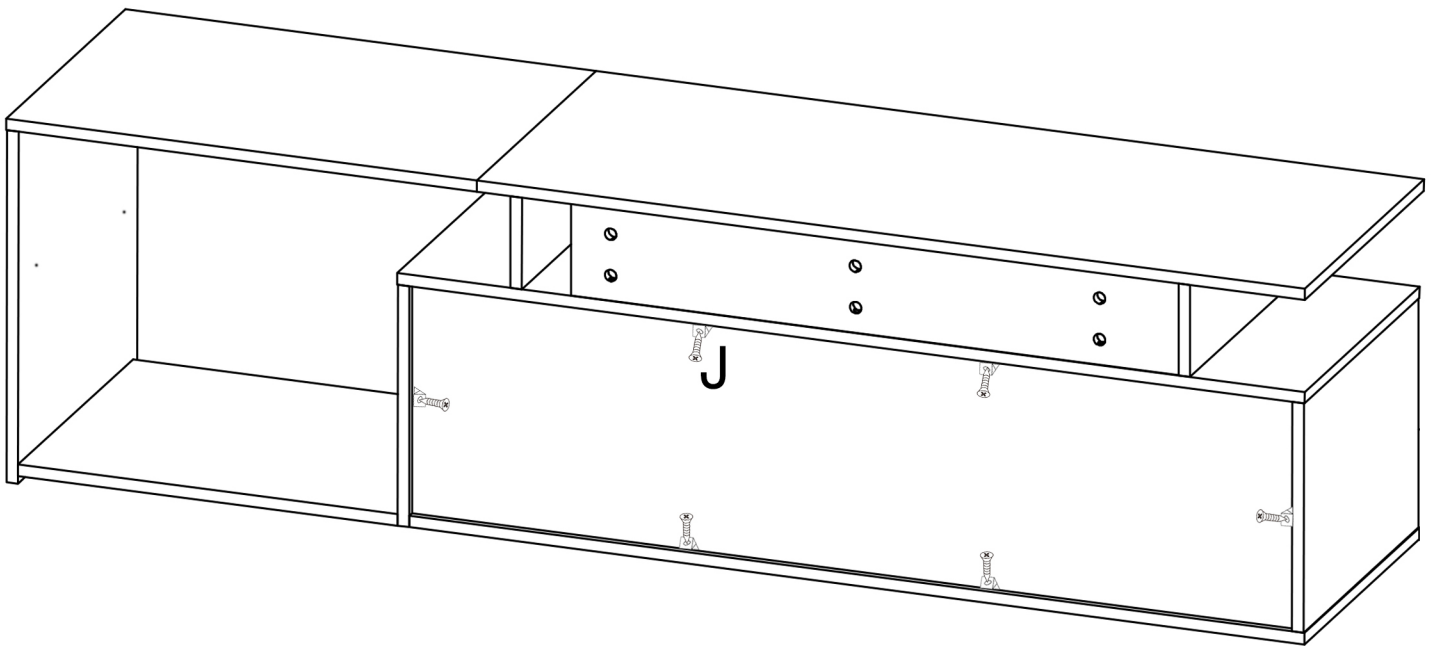
Ax6 Bx6

Step 8

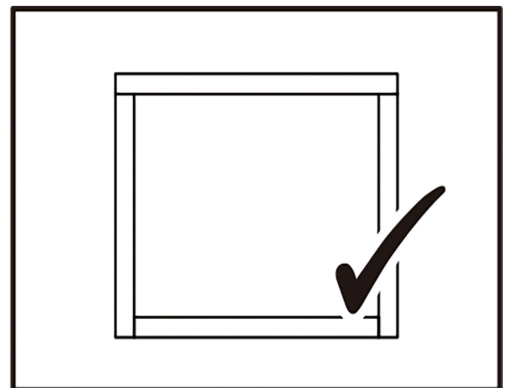
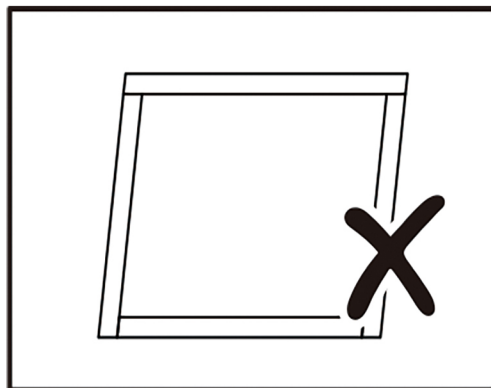
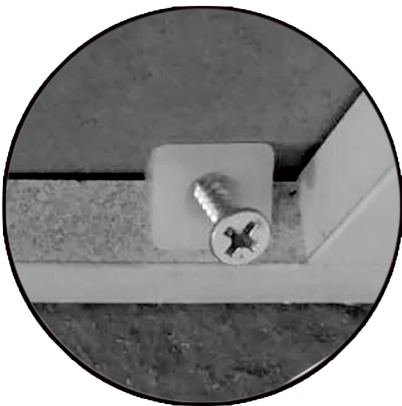


Ax9 Bx9 Lx2 Ex8 Dx3

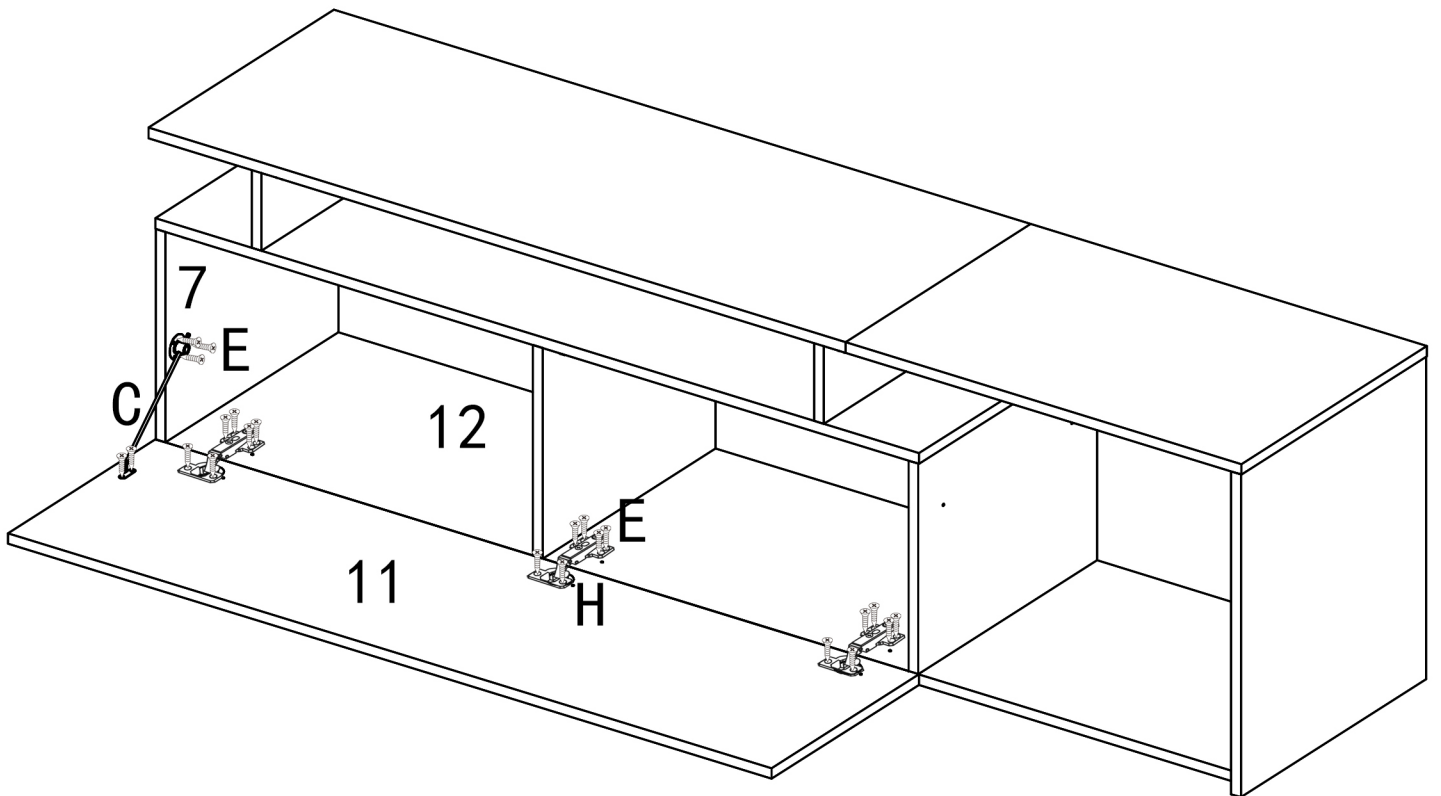
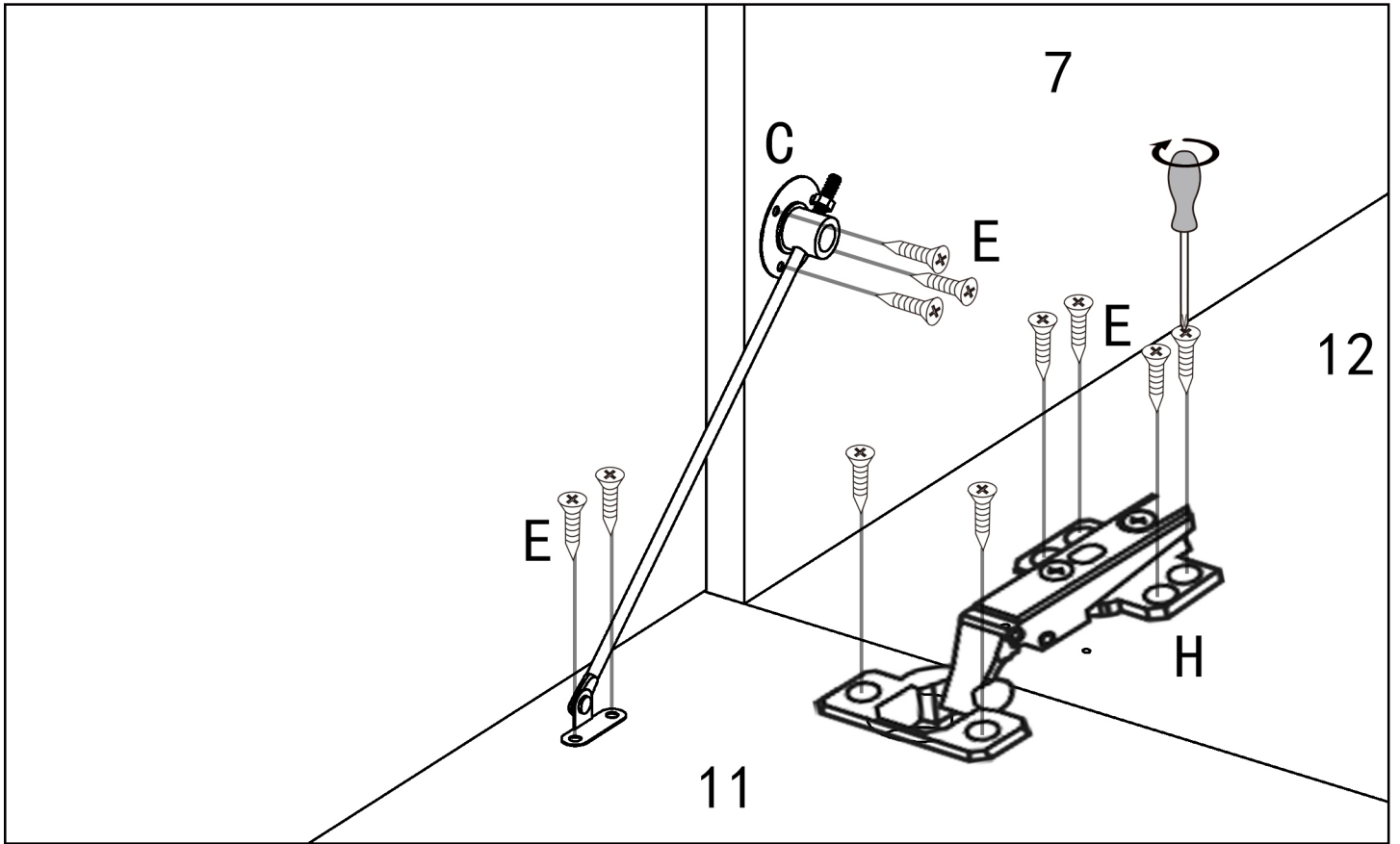
Step 9



Jx6

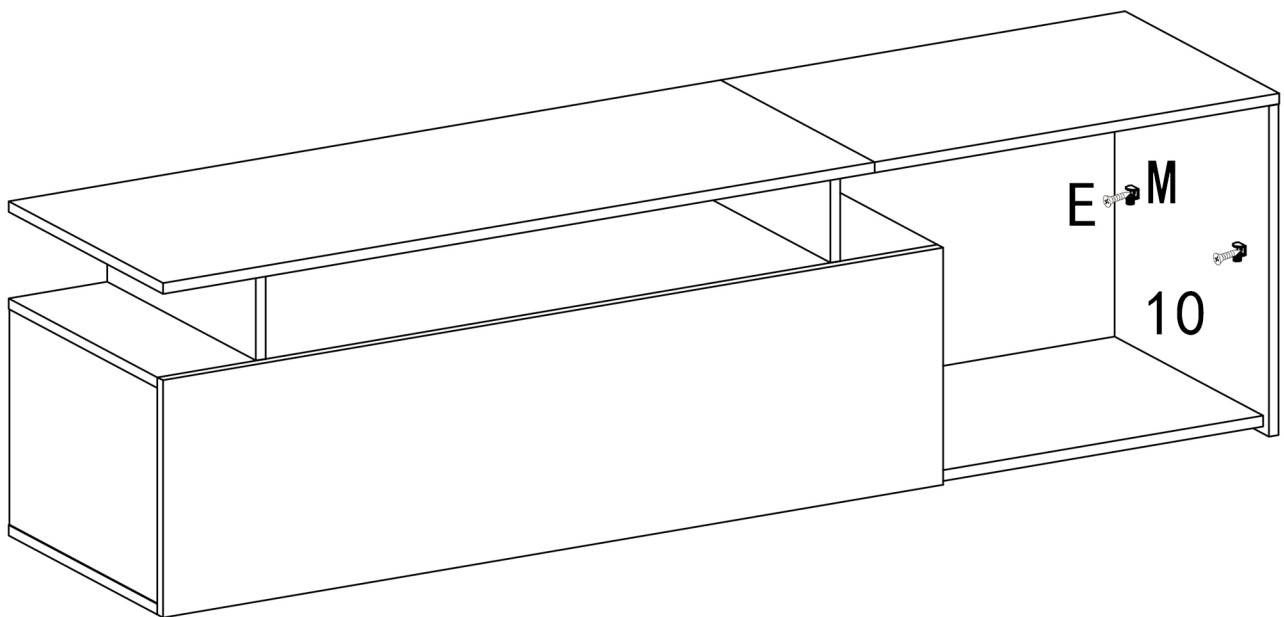
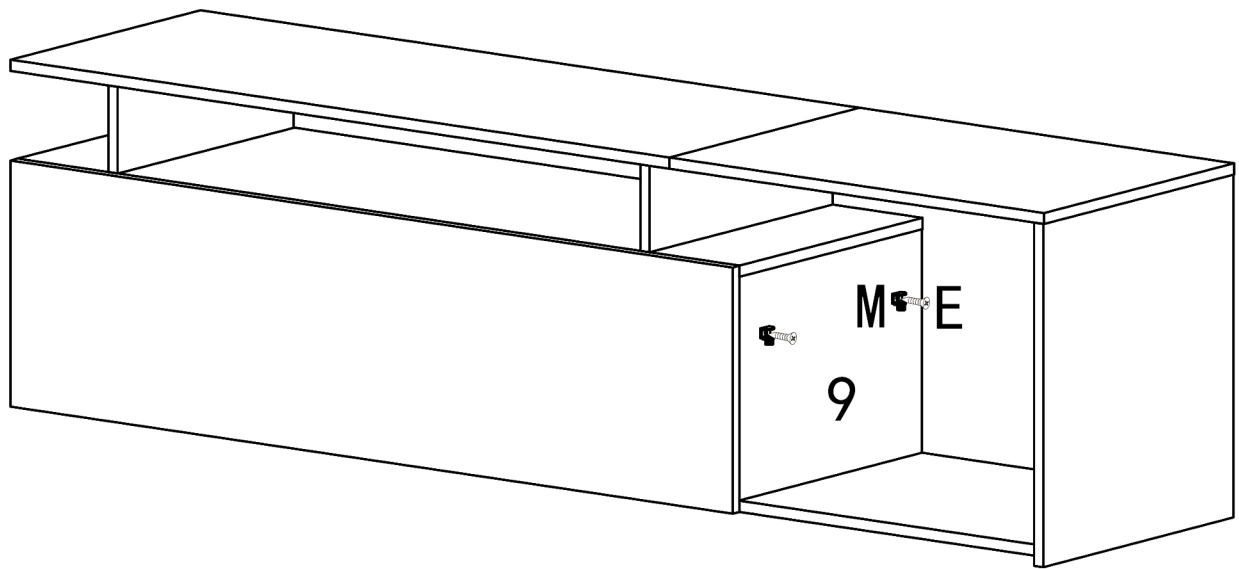
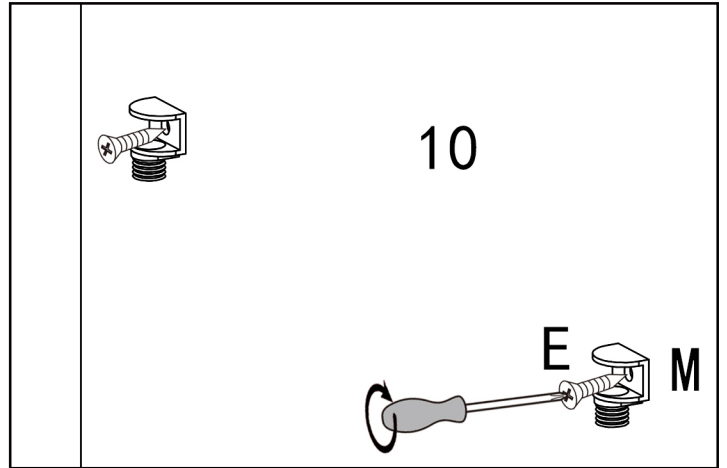
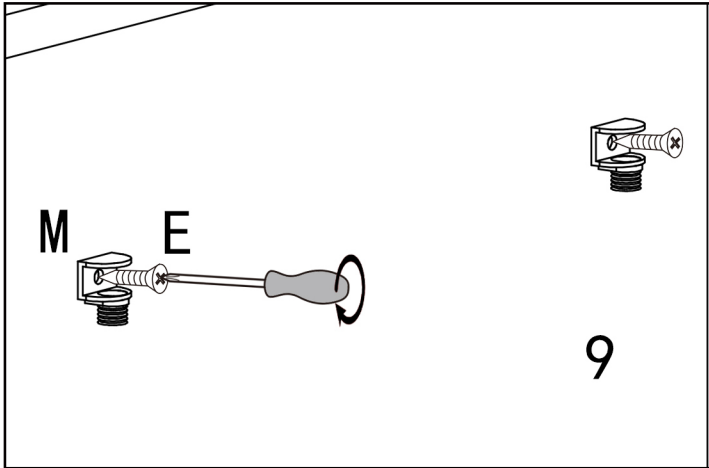


Step10



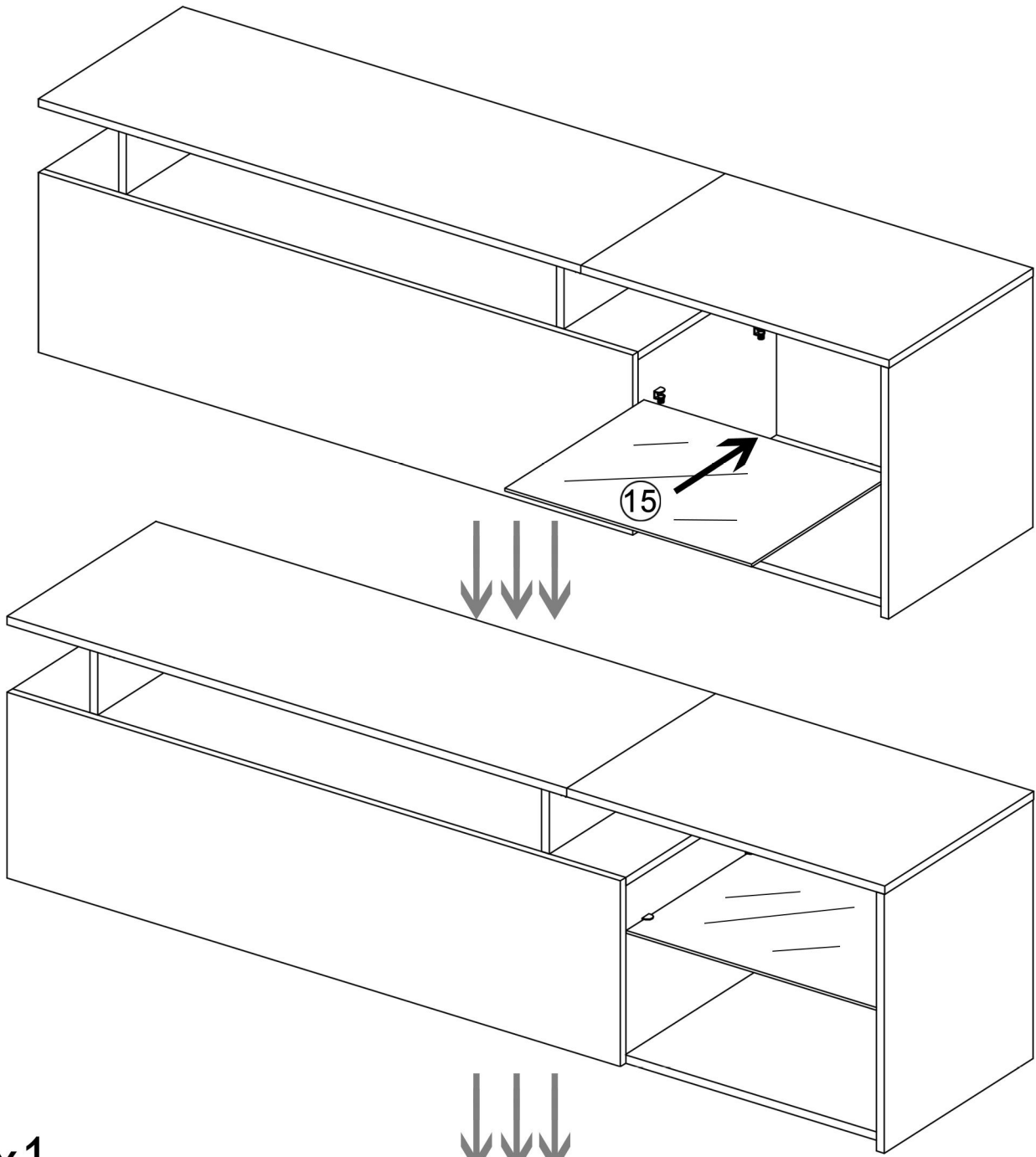
Cx1 Ex23 Hx3

Step 11



Ex4 Mx4

Step 12



Kx1

