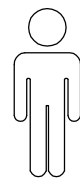
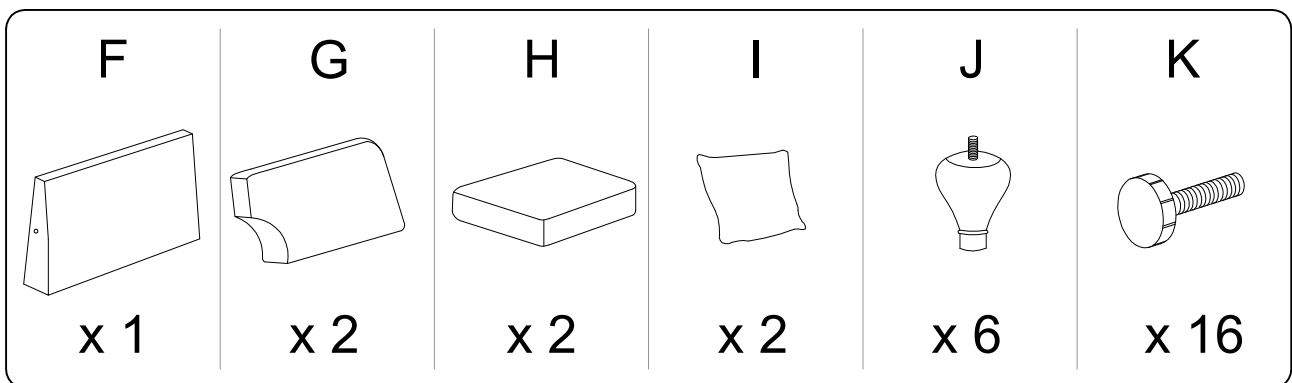
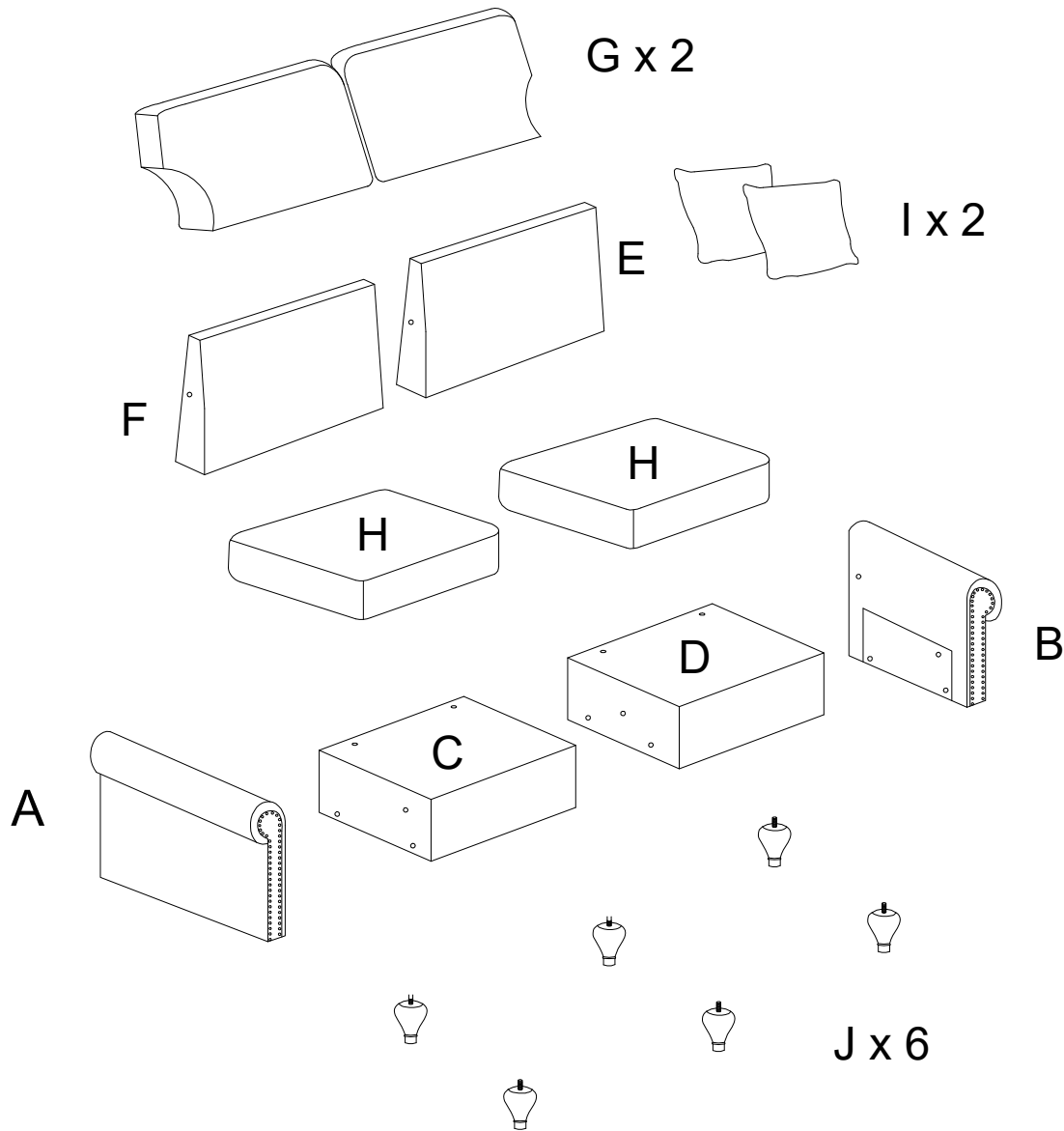
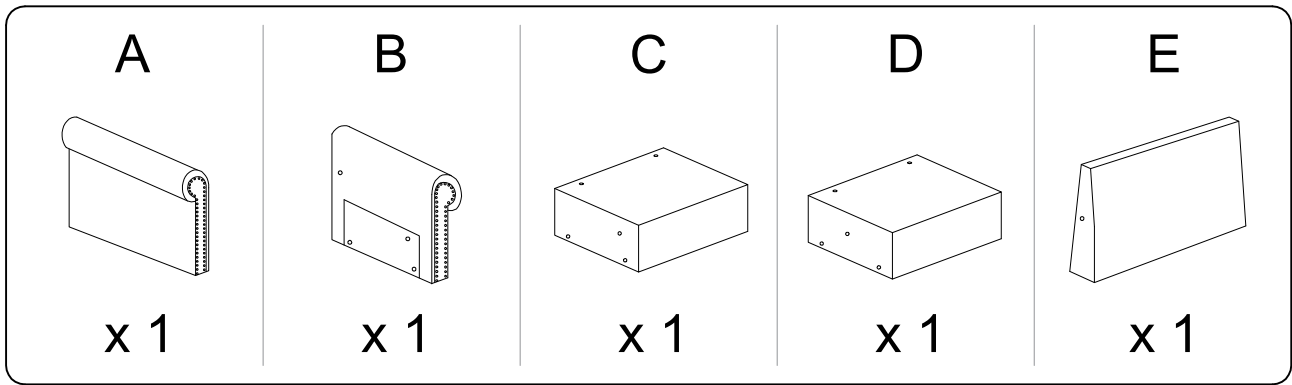


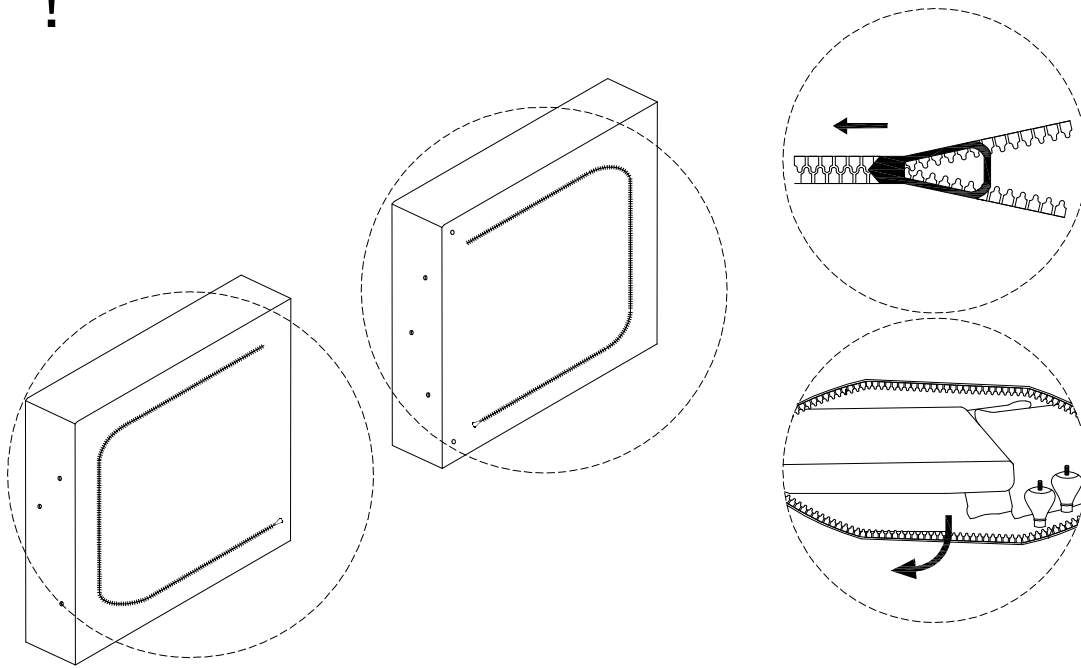
30'



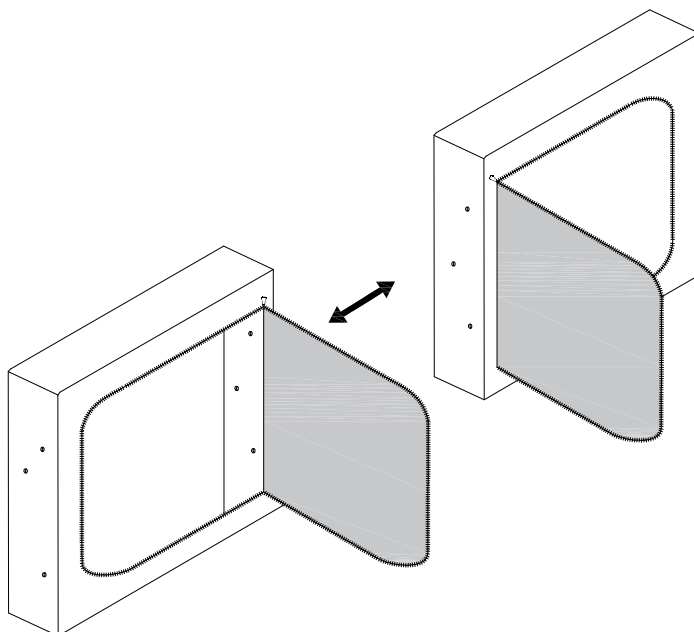
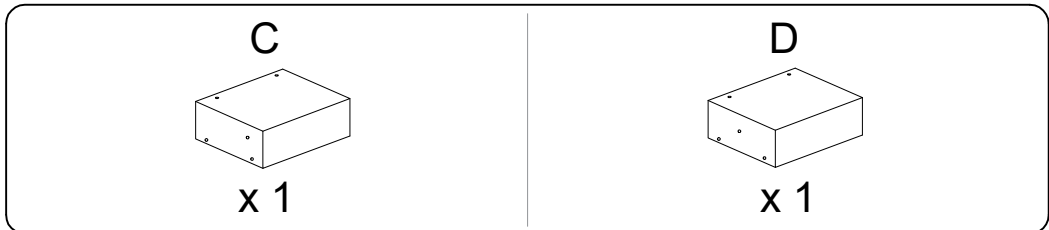
2



!

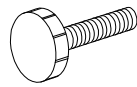


1

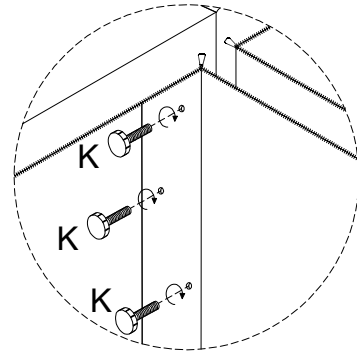
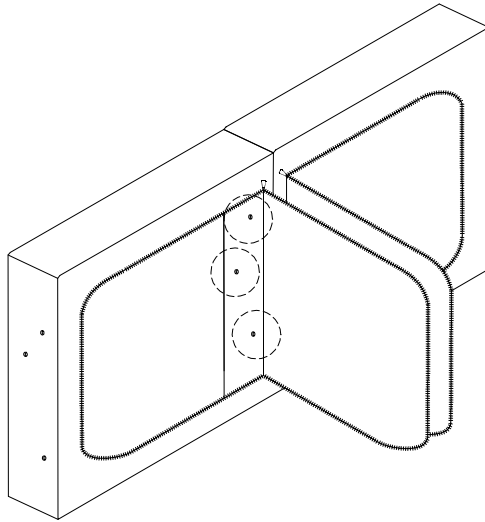


2

K

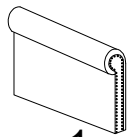


x 3



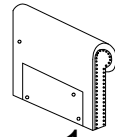
3

A



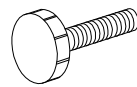
x 1

B

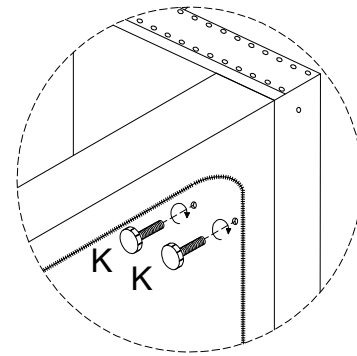
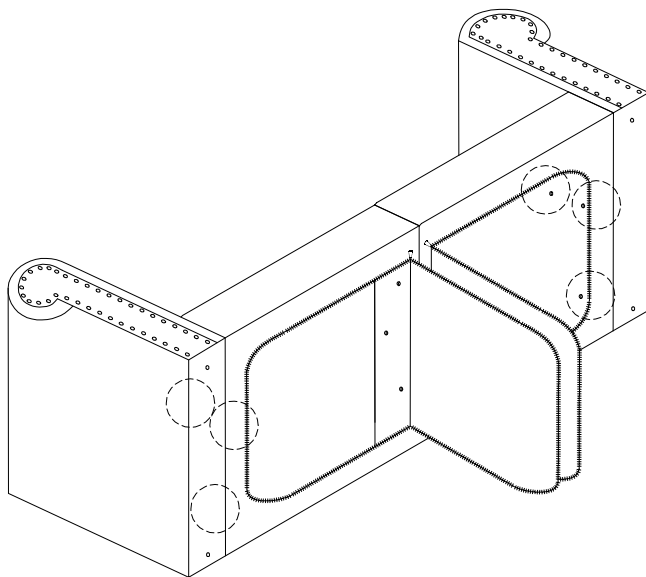


x 1

K



x 6

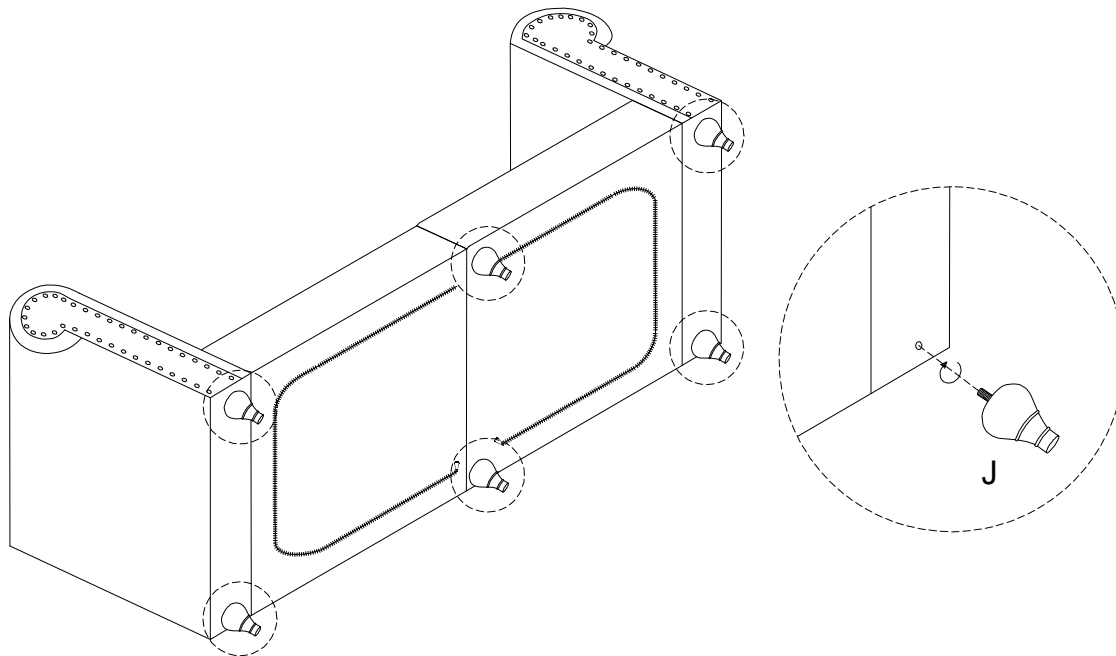


4

J

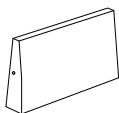


x 6



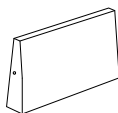
5

E



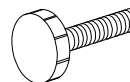
x 1

F

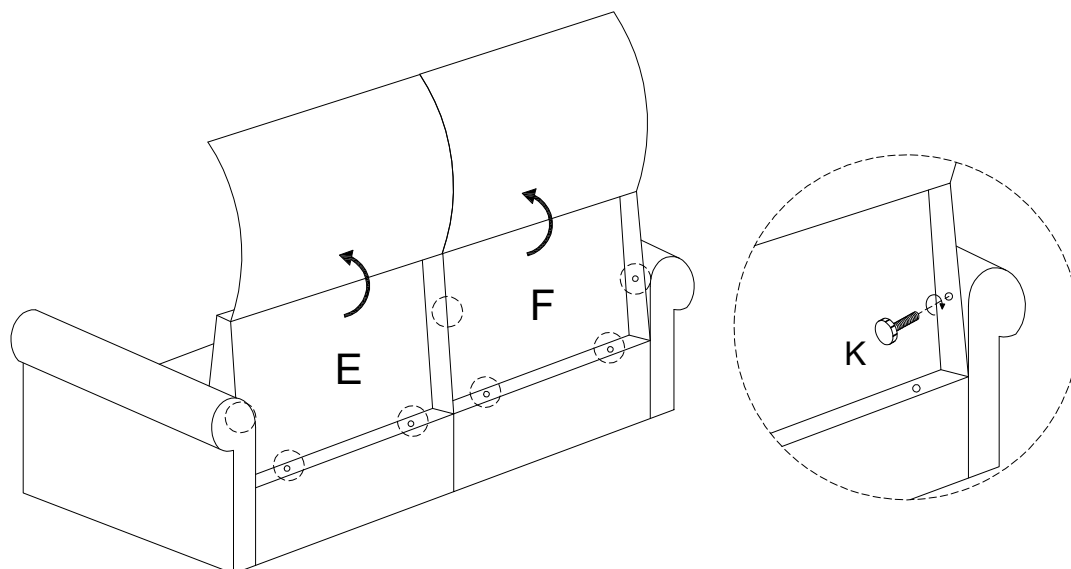


x 1

K

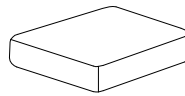


x 7

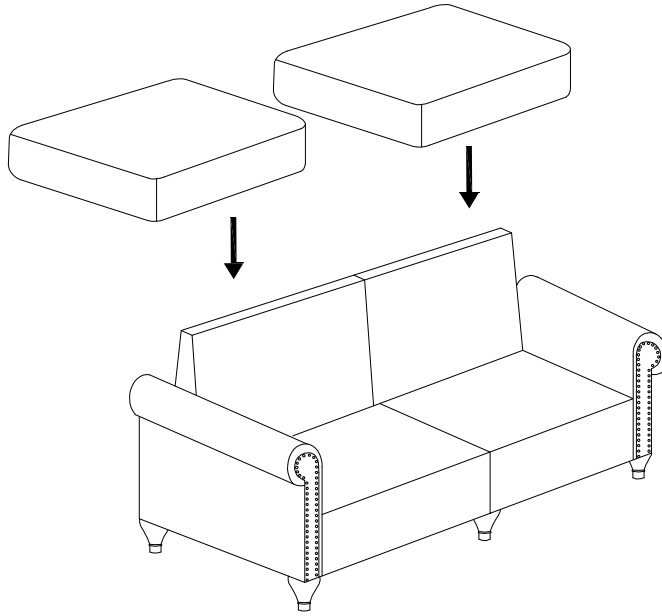


6

H

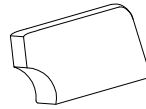


x 2

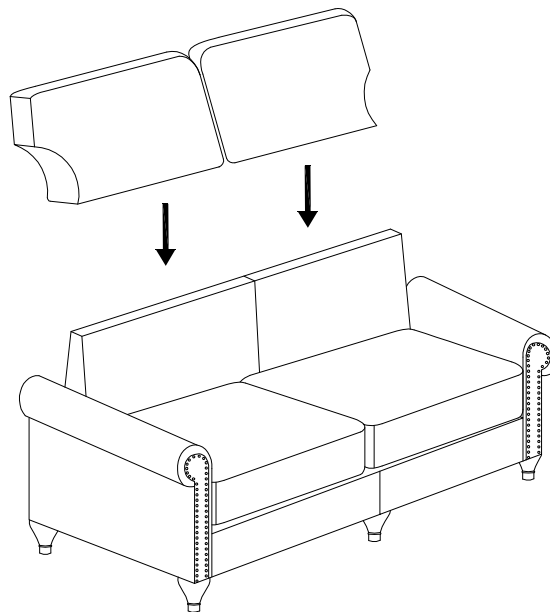


7

G



x 2



8

