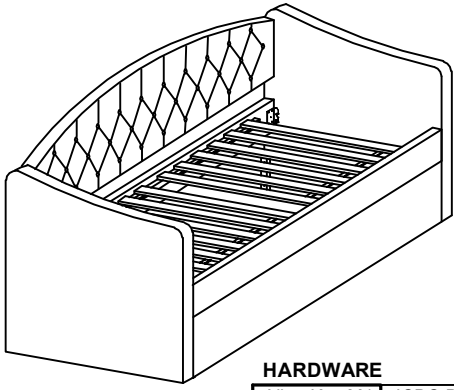
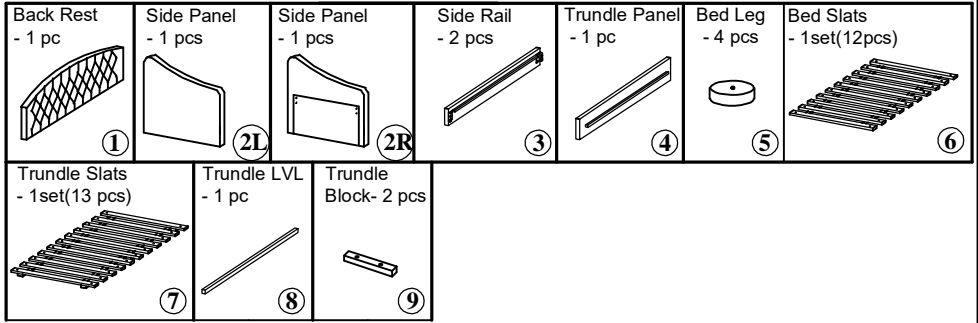


ASSEMBLY INSTRUCTIONS

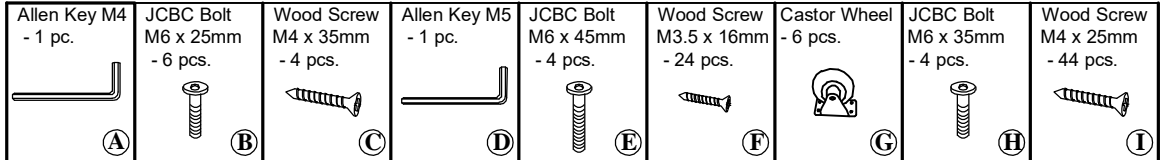
MODEL : BD235-FS ITEM CODE : 1924



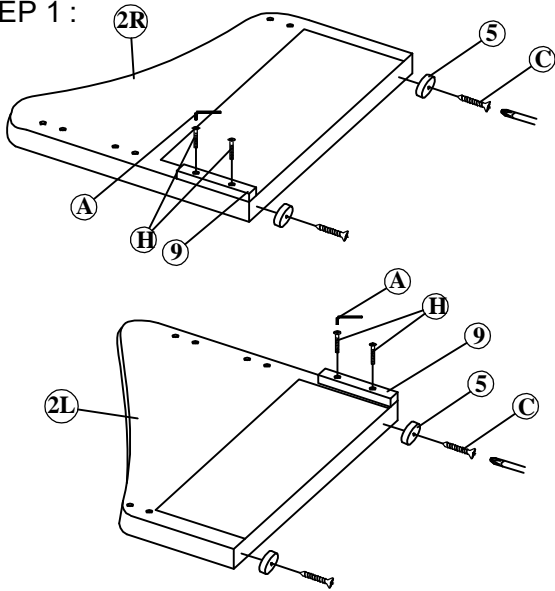
COMPONENT



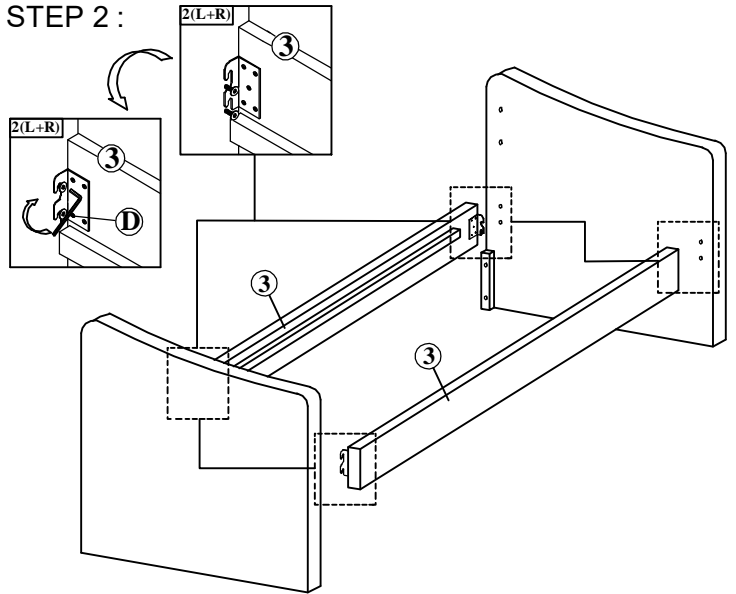
HARDWARE



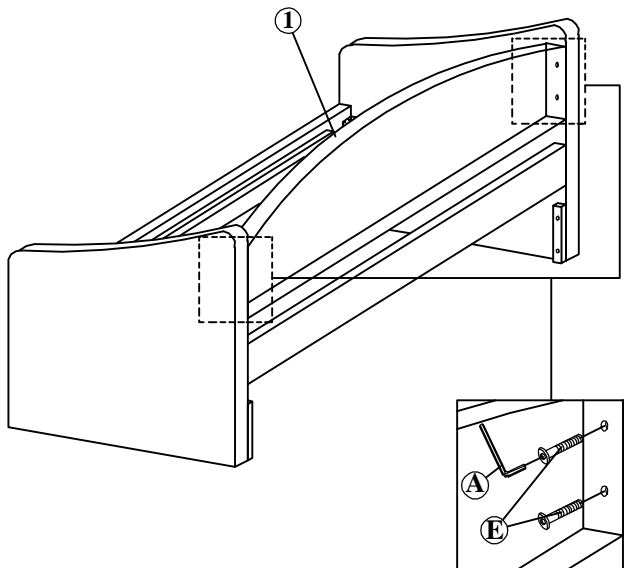
STEP 1 :



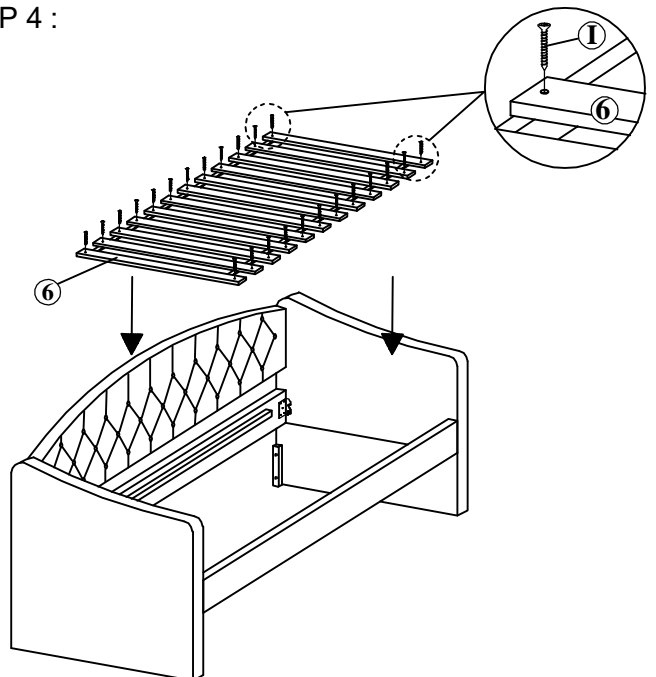
STEP 2 :



STEP 3 :BACK VIEW



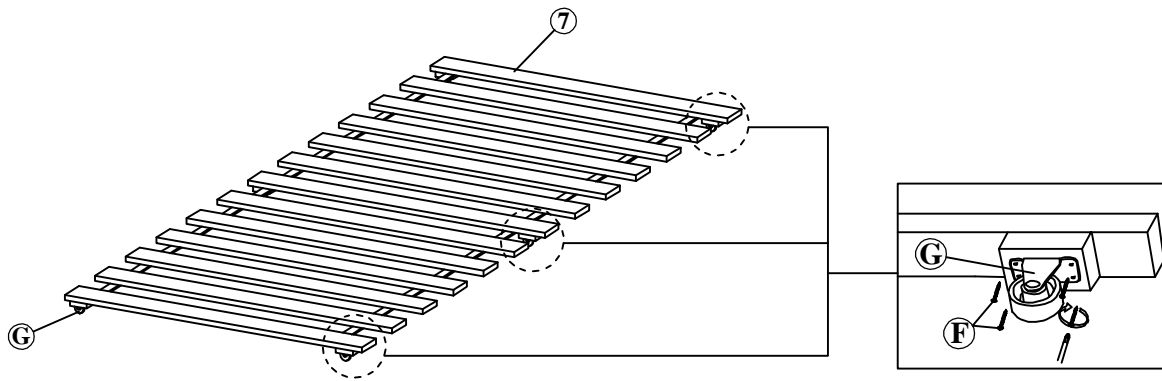
STEP 4 :



ASSEMBLY INSTRUCTIONS

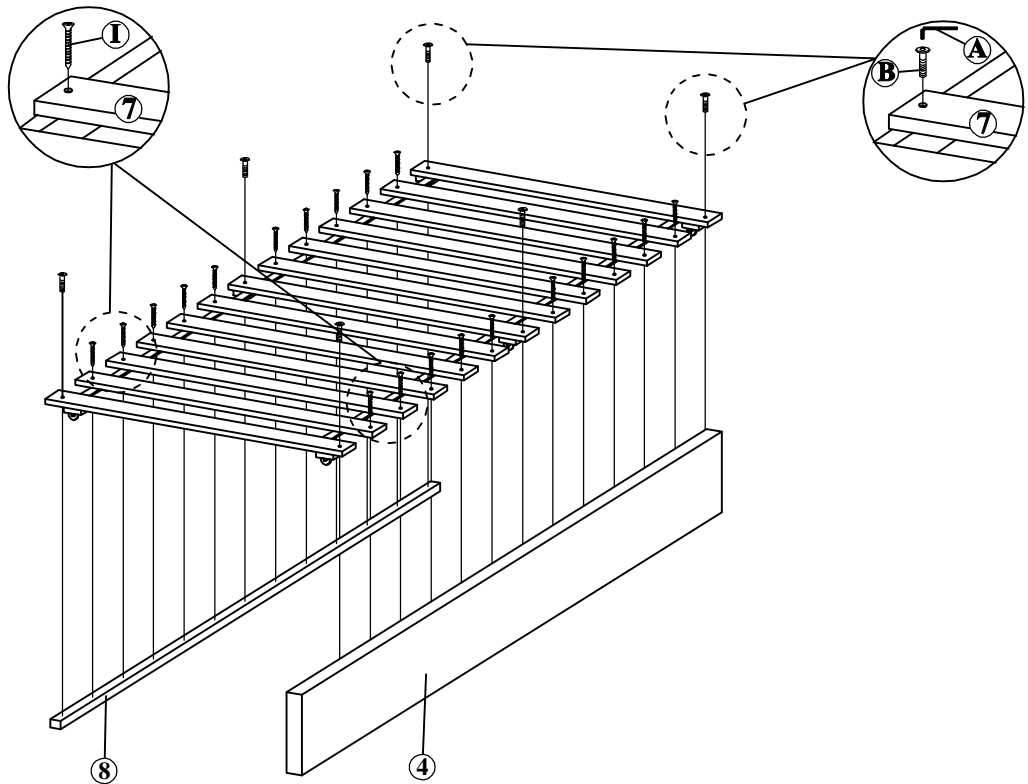
MODEL : BD235-FS

STEP 5 :

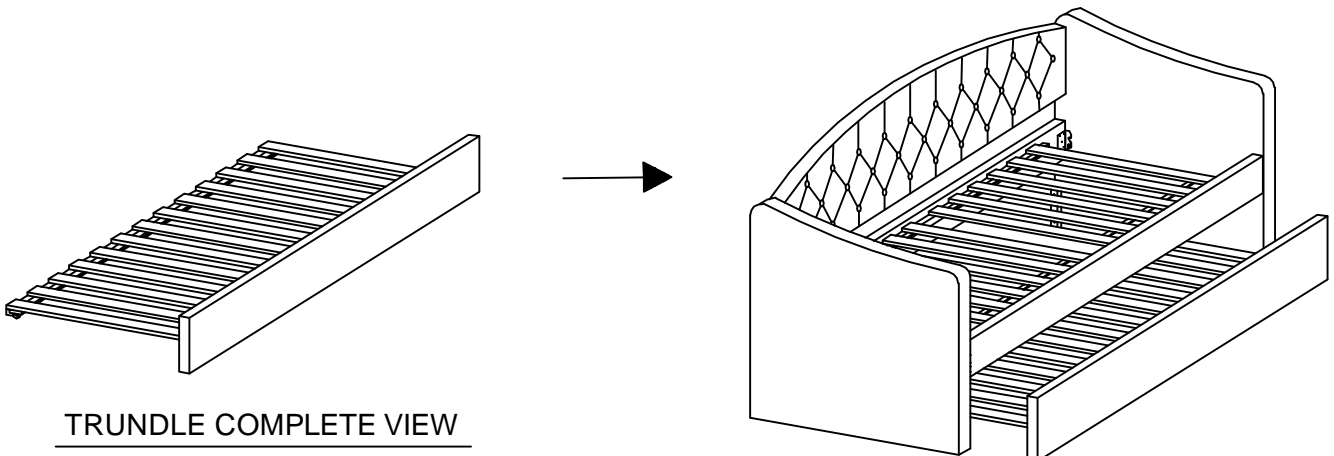


STEP 6 :

Attach (7) to the trundle rail and (8) by unrolling and securing with 10pcs wood screw (I) and JCBC screw (B) per each side . Tighten wood screws using phillips head screw driver (not included).



STEP 7 :



TRUNDLE COMPLETE VIEW

IMPORTANTPlease lift up the bed to move with 2 or more people.**DO NOT DRAG THE BED!**