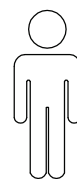
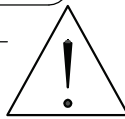
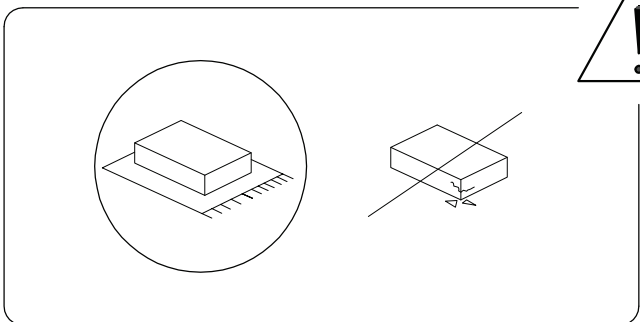
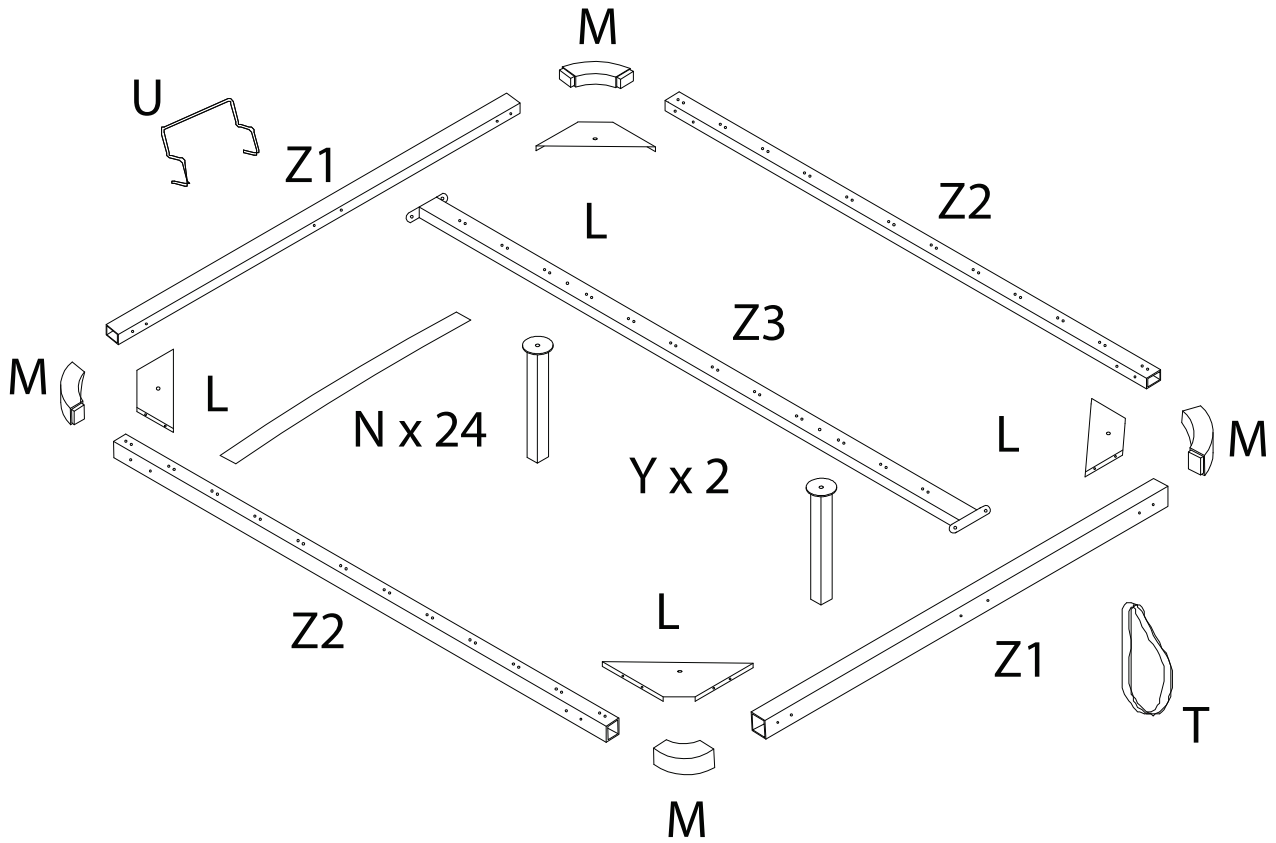
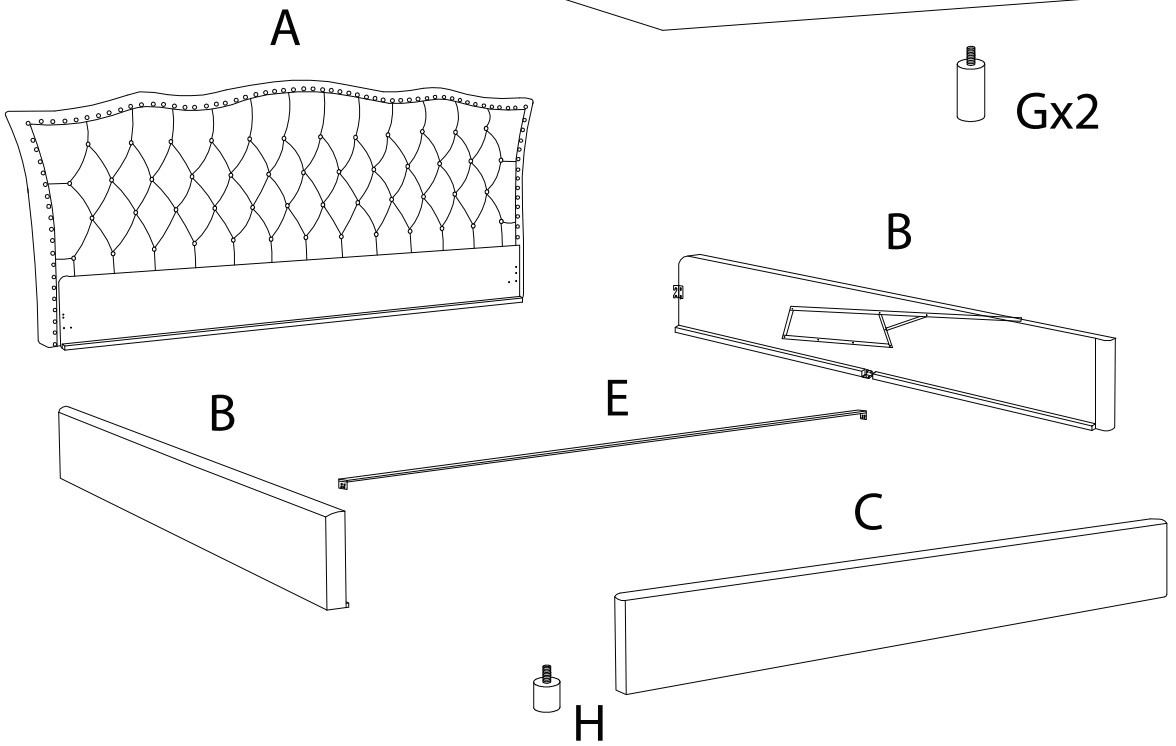


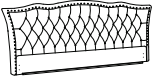
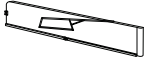


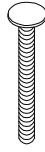
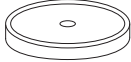
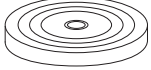


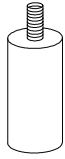
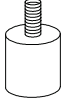

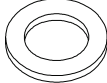
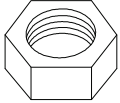


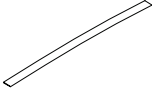
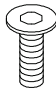
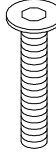


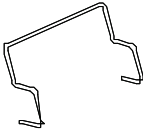
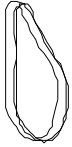
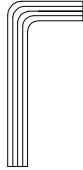
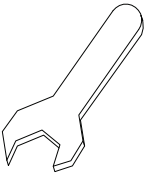
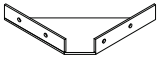
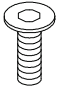
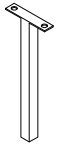
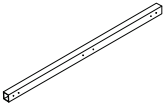
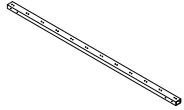
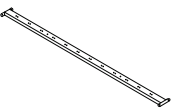
60'



2

Fx2



<p>A</p>  <p>x 1</p>	<p>B</p>  <p>x 2</p>	<p>C</p>  <p>x 2</p>	<p>D1</p>  <p>x 4</p>	<p>D2</p>  <p>x 4</p>	<p>D3</p>  <p>x 4</p>	<p>D4</p>  <p>x 4</p>
<p>E</p>  <p>x 1</p>	<p>F</p>  <p>x 2</p>	<p>G</p>  <p>x 2</p>	<p>H</p>  <p>x 1</p>	<p>I</p>  <p>x 16</p>	<p>J</p>  <p>x 20</p>	
<p>K</p>  <p>x 30</p>	<p>L</p>  <p>x 4</p>	<p>M</p>  <p>x 4</p>	<p>N</p>  <p>x 24</p>	<p>O</p>  <p>M8 x 30</p> <p>x 16</p>	<p>P</p>  <p>M8 x 40</p> <p>x 26</p>	
<p>Q</p>  <p>x 12</p>	<p>R</p>  <p>x 24</p>	<p>S</p>  <p>x 1</p>	<p>T</p>  <p>x 1</p>	<p>U</p>  <p>x 1</p>	<p>V</p>  <p>x 1</p>	
<p>W</p>  <p>x 2</p>	<p>X</p>  <p>M8 x 35</p> <p>x 4</p>	<p>Y</p>  <p>x 2</p>	<p>Z1</p>  <p>x 2</p>	<p>Z2</p>  <p>x 2</p>	<p>Z3</p>  <p>x 1</p>	

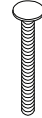
1 x 4

D1



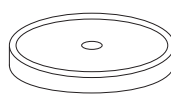
x 1

D2



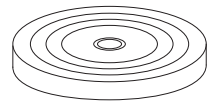
x 1

D3

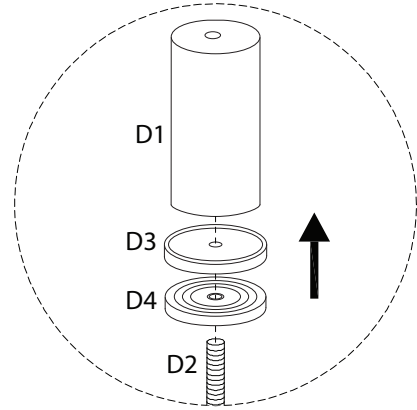
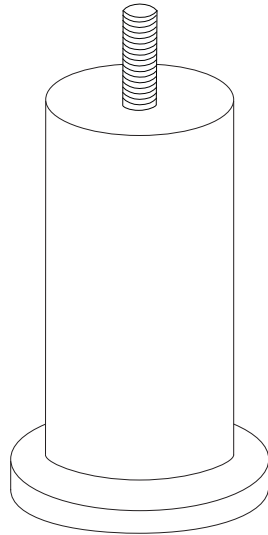


x 1

D4

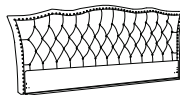


x 1



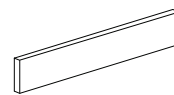
2

A

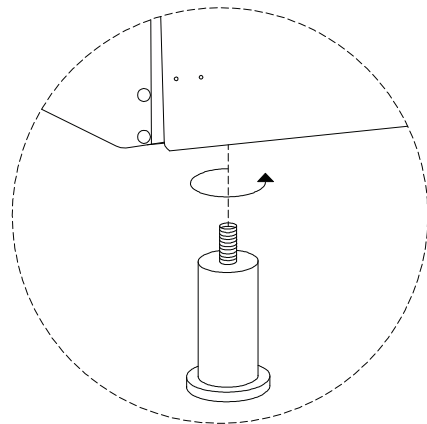
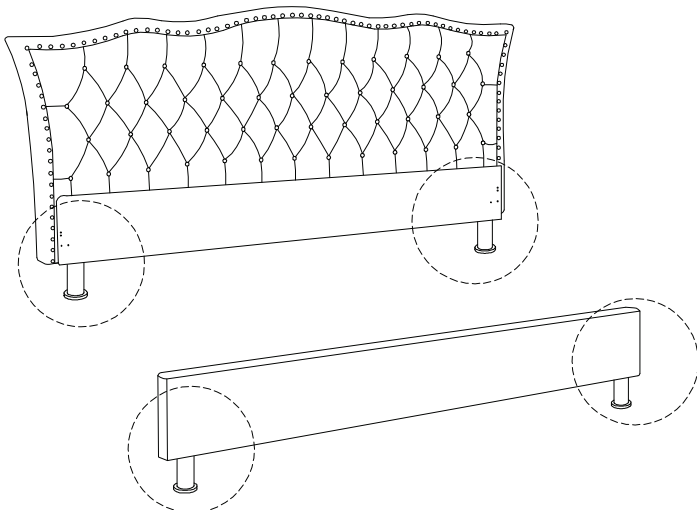


x 1



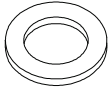
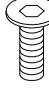
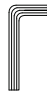

C

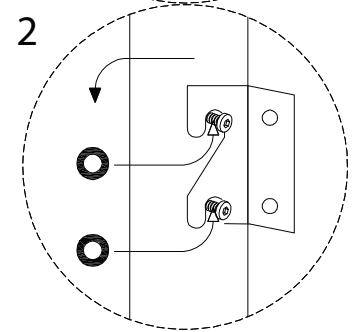
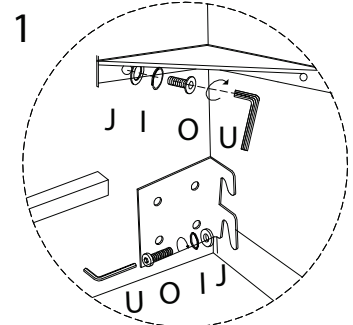
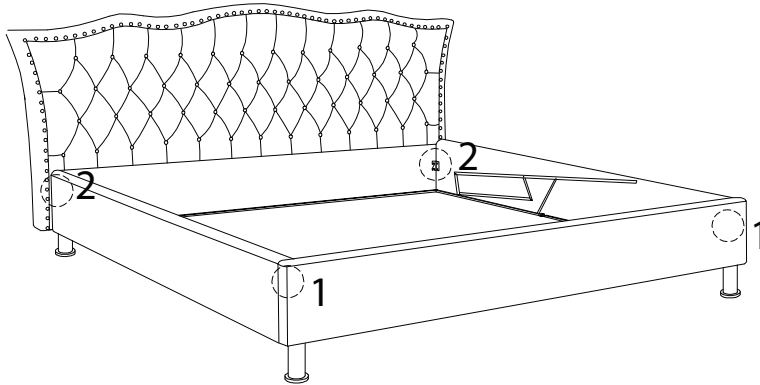


x 1


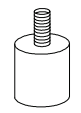


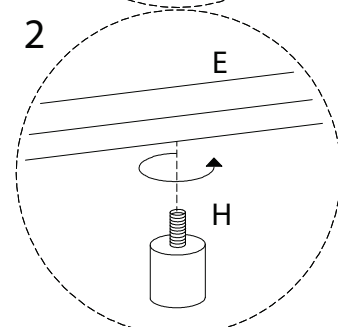
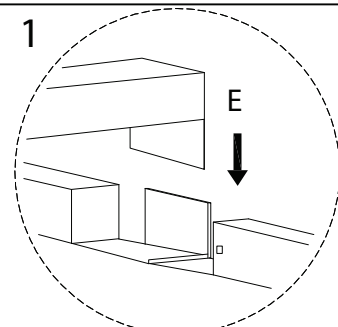
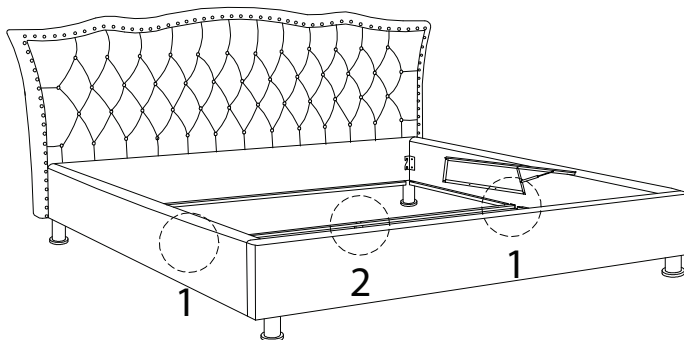
3

B  x 2	I  x 16	J  x 16	O  M8 x 30 x 16	U  x 1	W  x 2
--	---	---	---	--	--

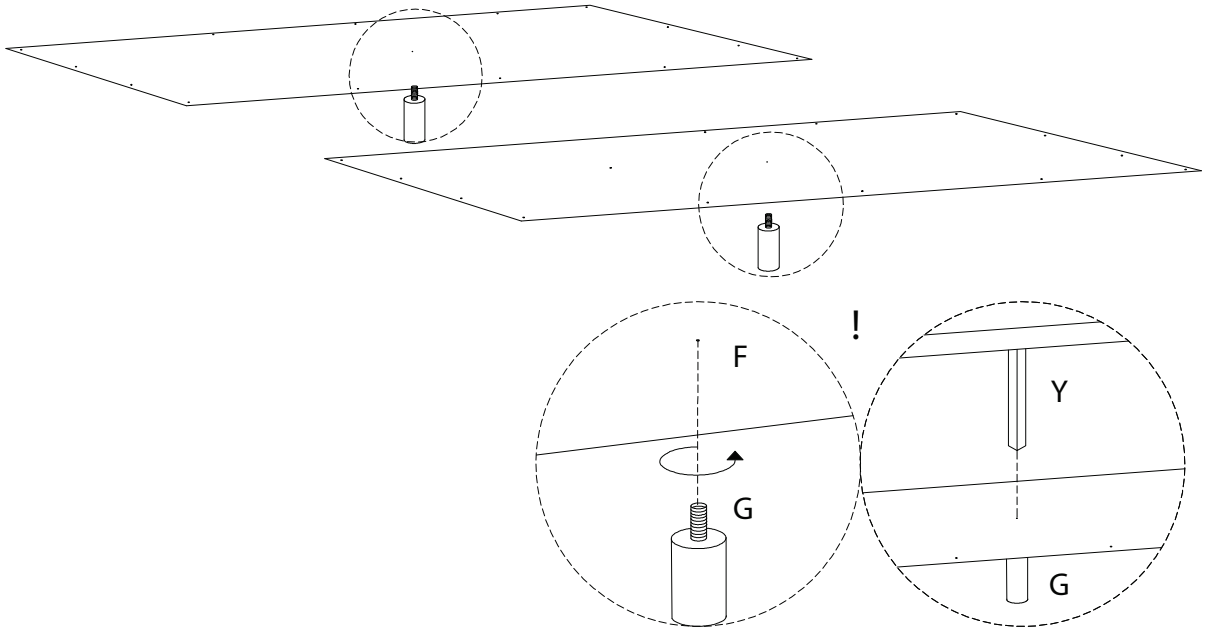
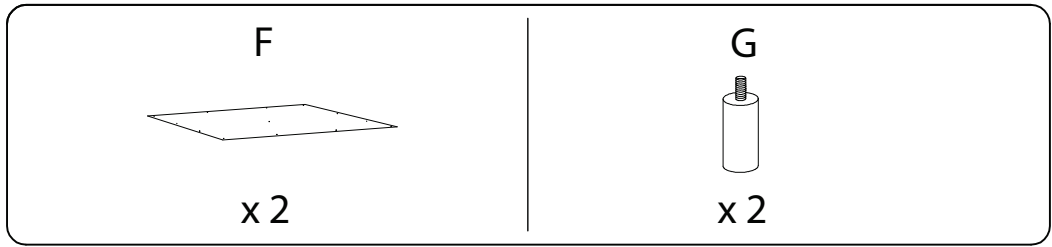


4

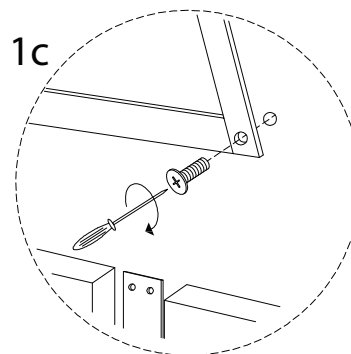
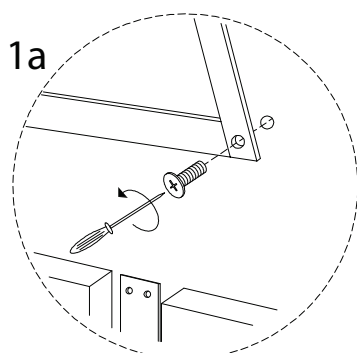
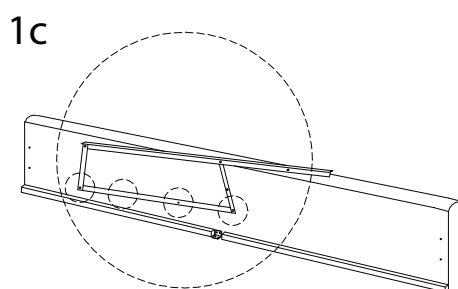
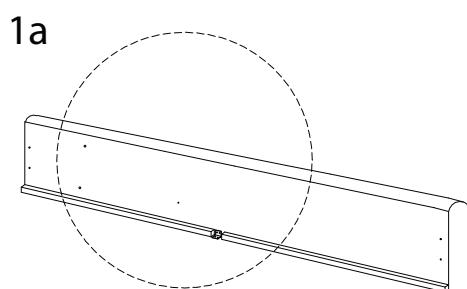
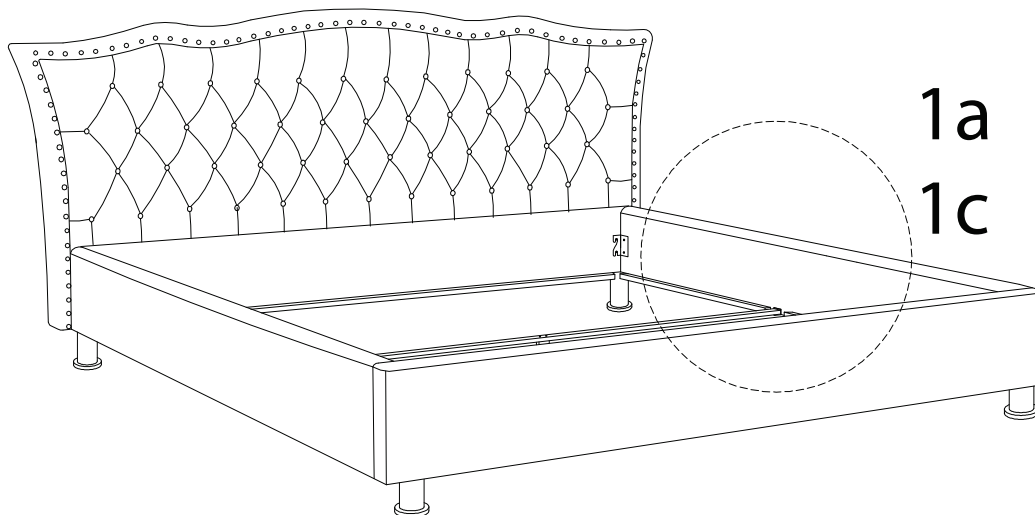
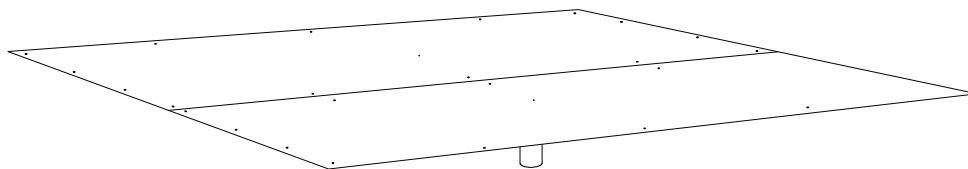
E  x 1	H  x 1
--	--



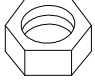
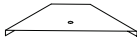

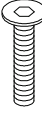
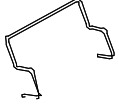
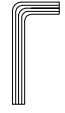

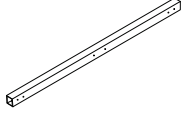
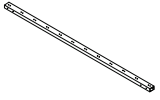
5

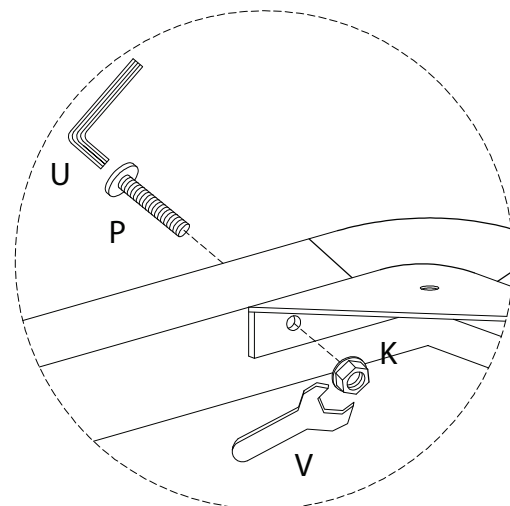
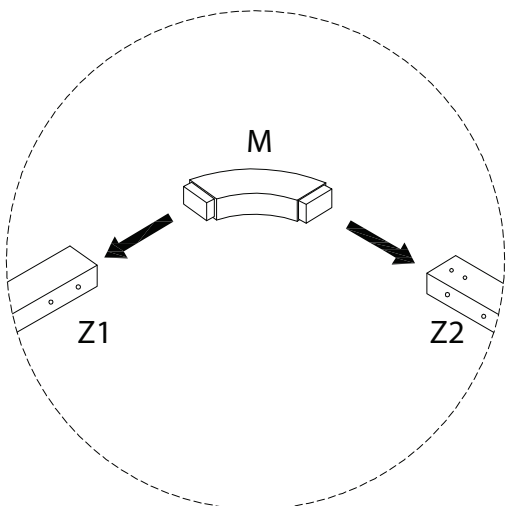
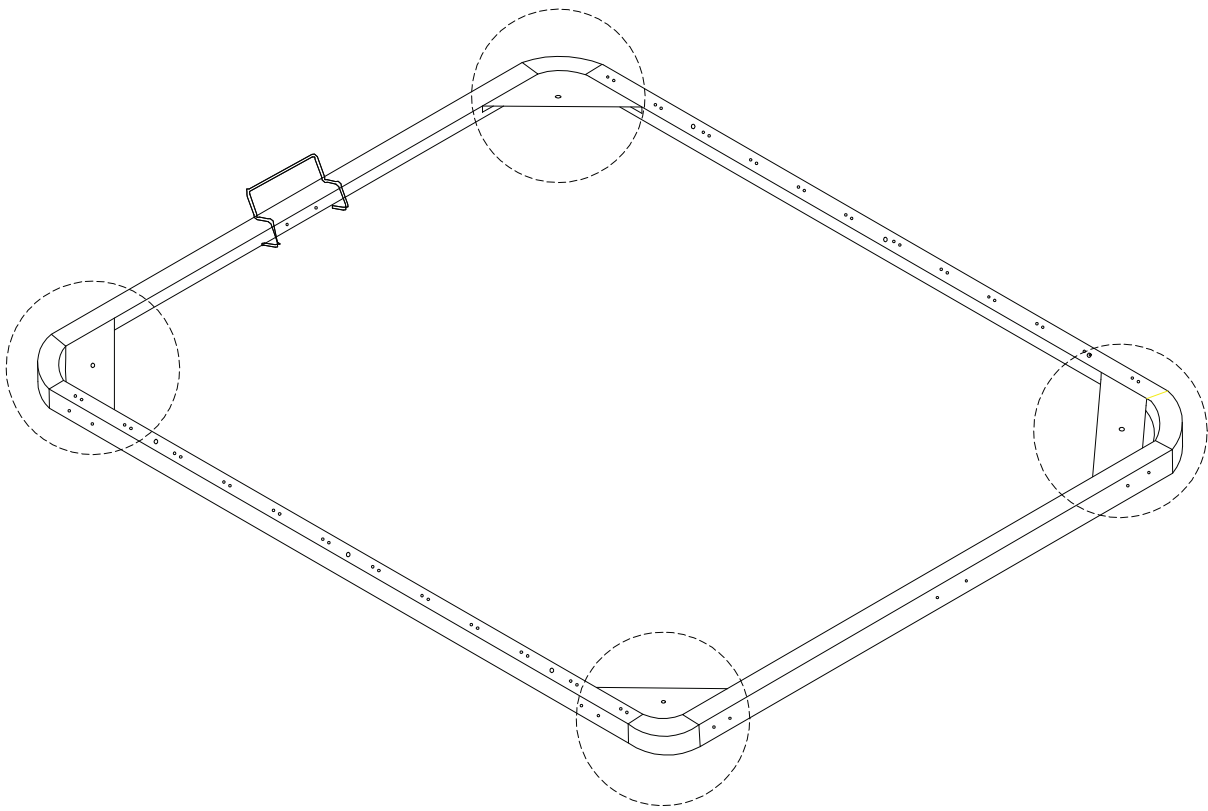


6

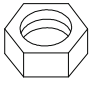
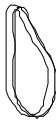
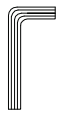

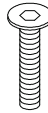
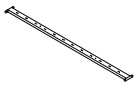


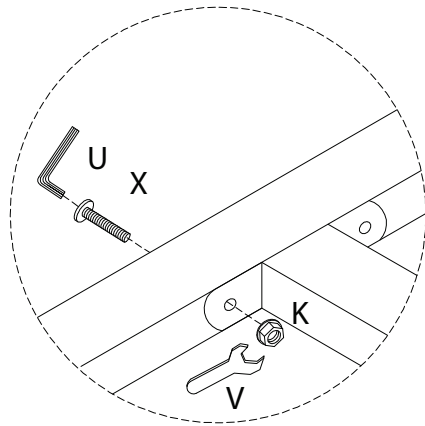
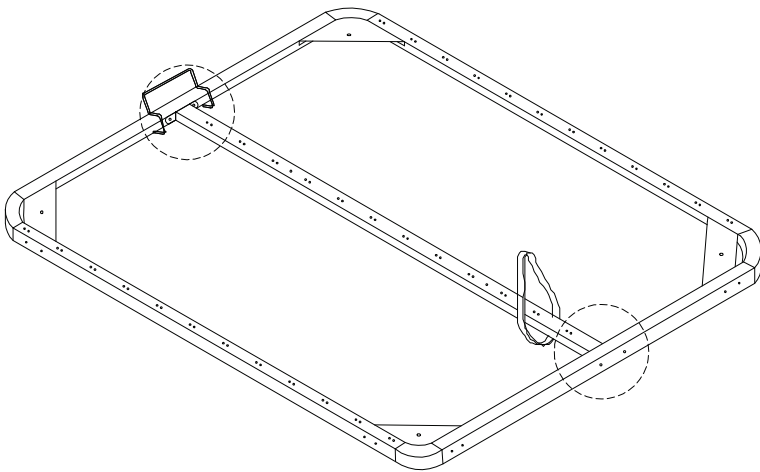
7

K  x 16	L  x 4	M  x 4	P  M8 x 40 x 16	
S  x 1	U  x 1	V  x 1	Z1  x 2	Z2  x 2

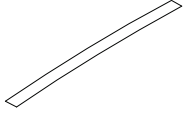
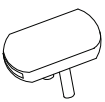



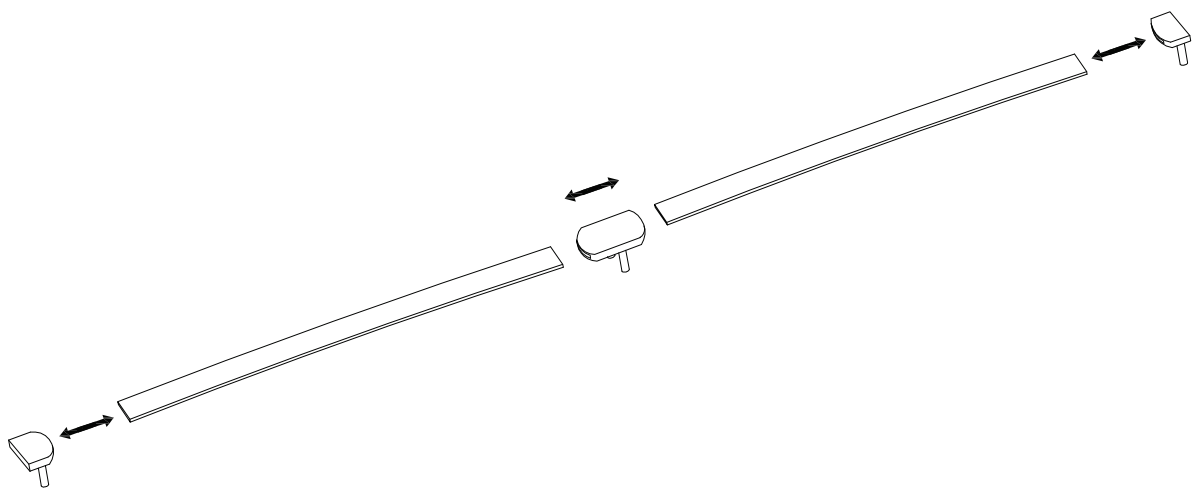
8

K  x 4	T  x 1	U  x 1	V  x 1	X  M8 x 35 x 4	Z3  x 1
--	--	--	---	--	---

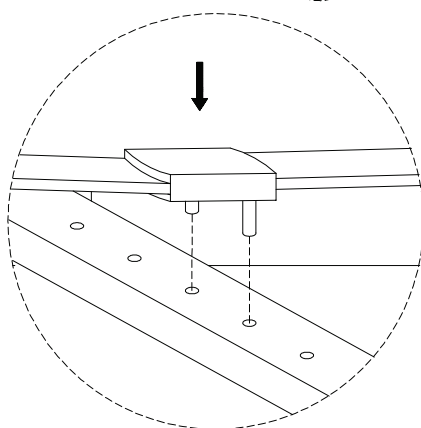
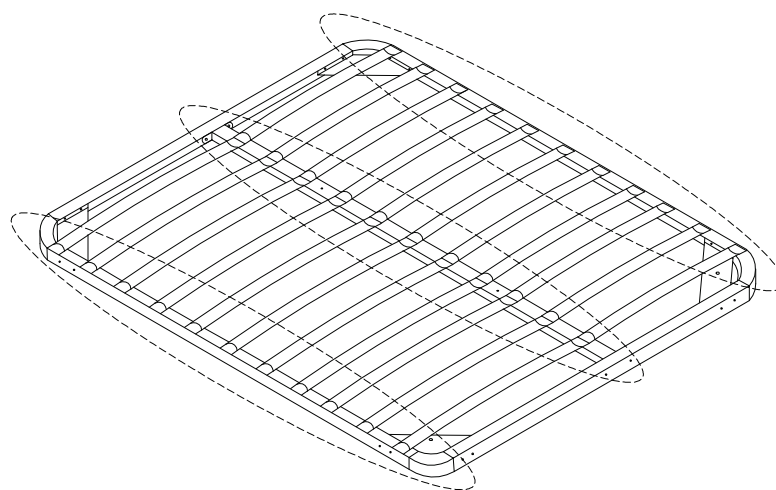


9

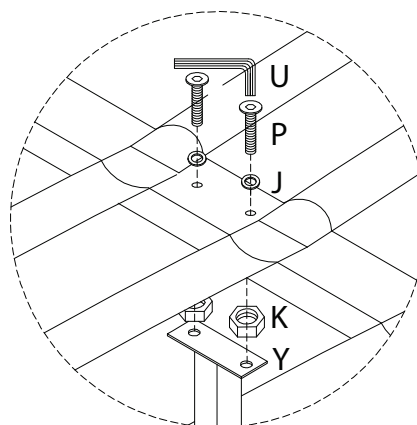
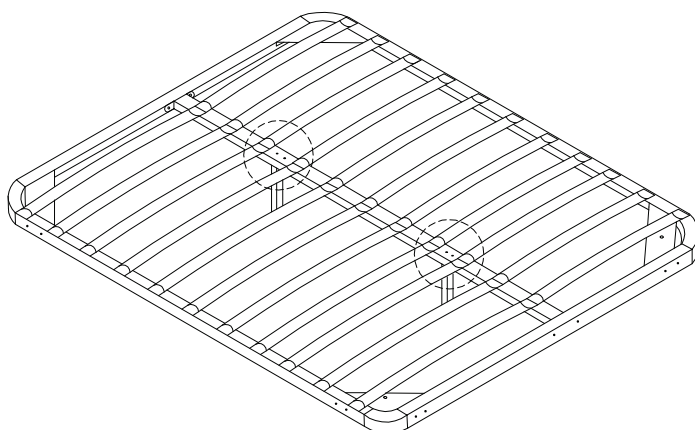
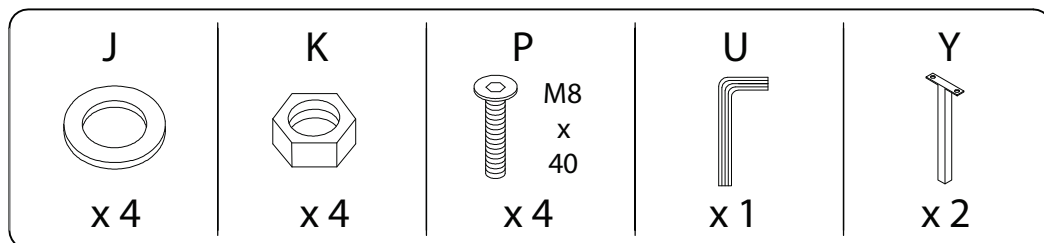
N  x 24	Q  x 12	R  x 24
---	---	---



10

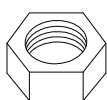


11



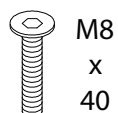
12

K



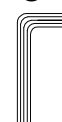
x 6

P



x 6

U



x 1

