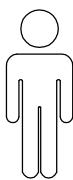
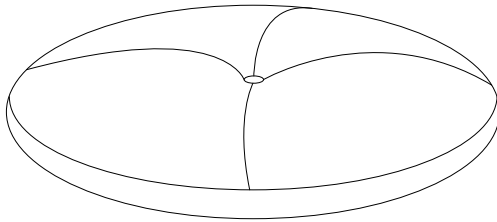
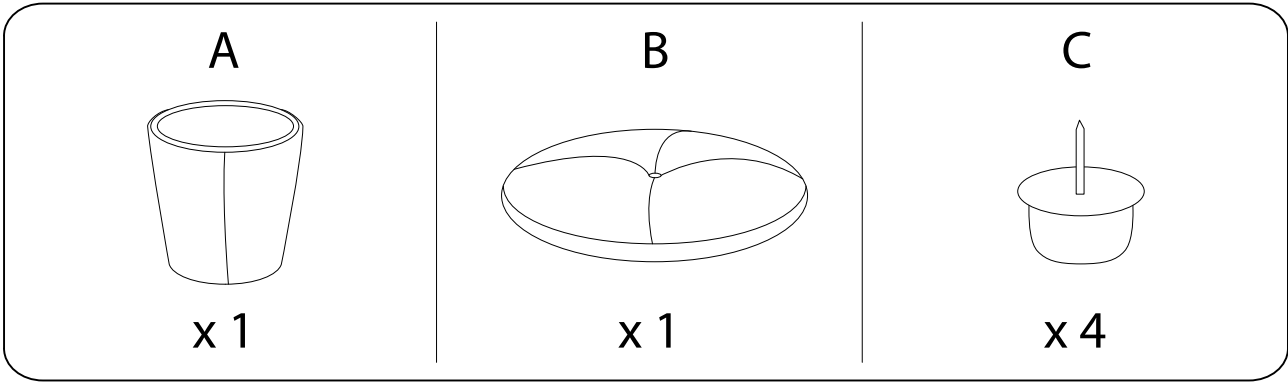
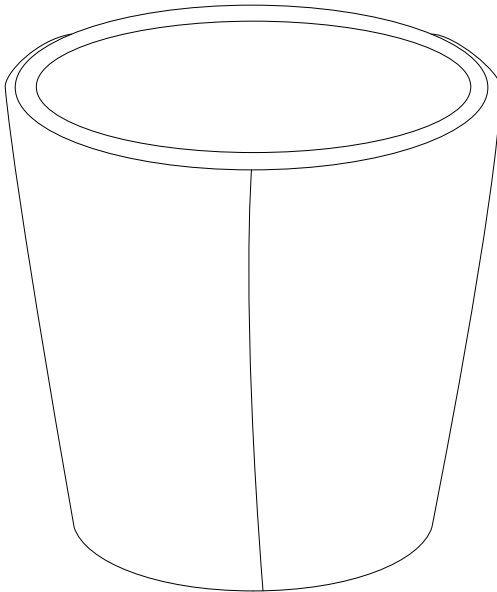
	5'
		
		1



B



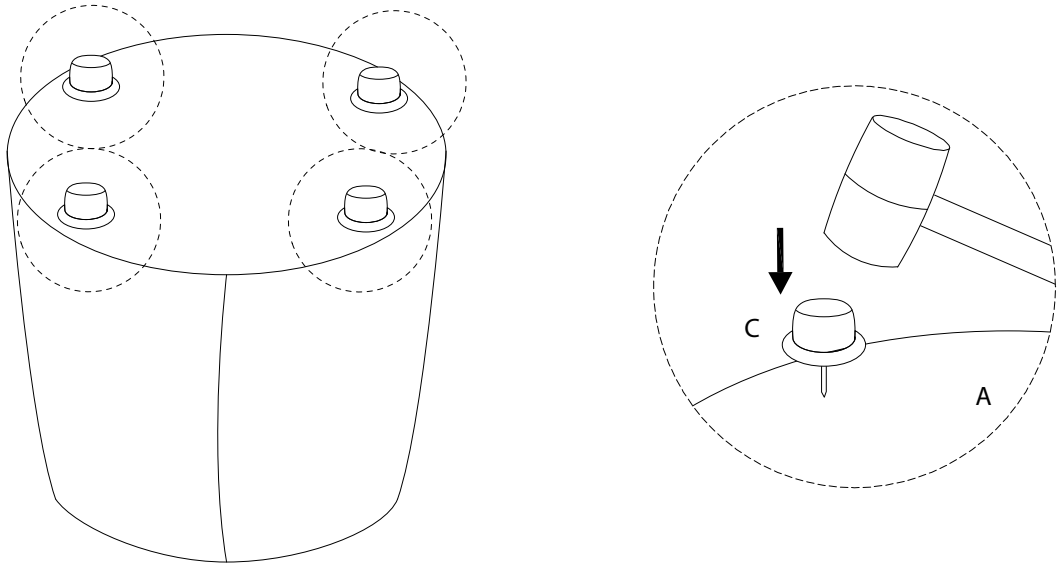
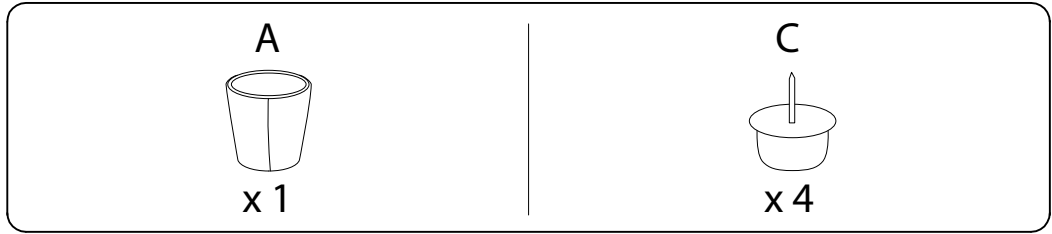
A



C x 4



1



2

