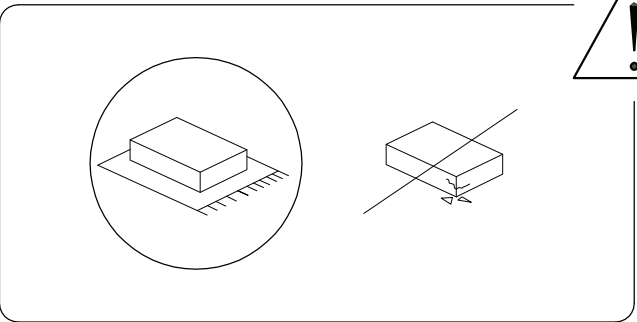
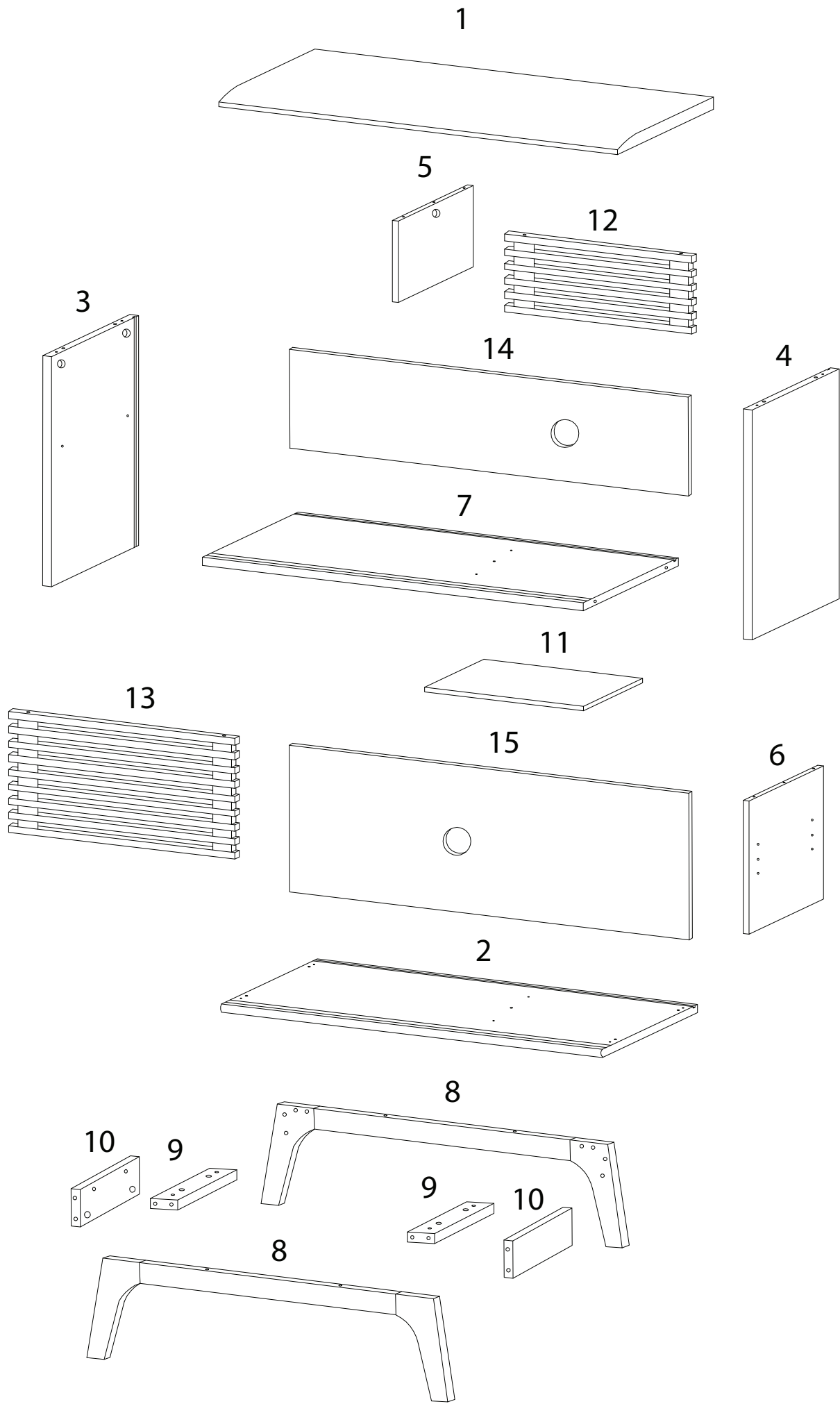


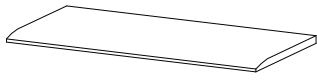
60'



2



1



x 1

2



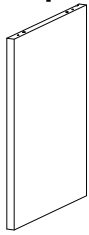
x 1

3



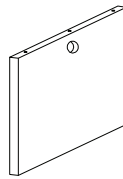
x 1

4



x 1

5



x 1

6



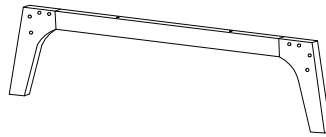
x 1

7



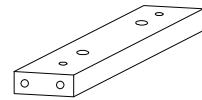
x 1

8



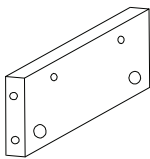
x 2

9



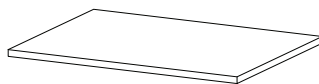
x 2

10



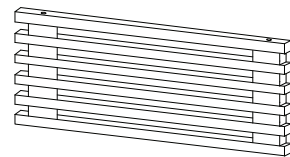
x 2

11



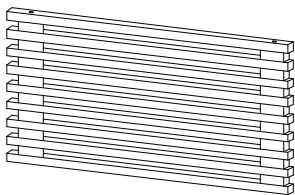
x 1

12



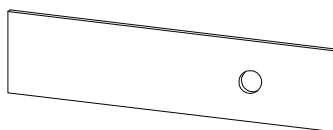
x 1

13



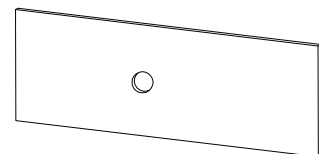
x 1

14



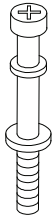
x 1

15



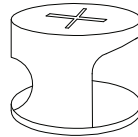
x 1

A



x 10

B



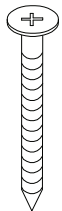
x 10

C



x 40

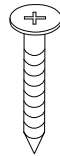
D



12  
x  
45

x 6

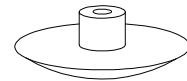
E



12  
x  
35

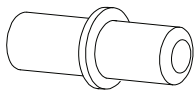
x 4

F



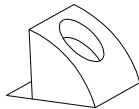
x 2

G



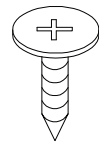
x 4

H



x 8

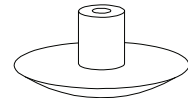
I



3.5  
x  
15

x 8

J



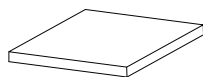
x 4

K



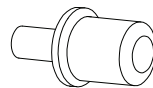
x 4

L



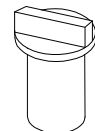
x 4

M



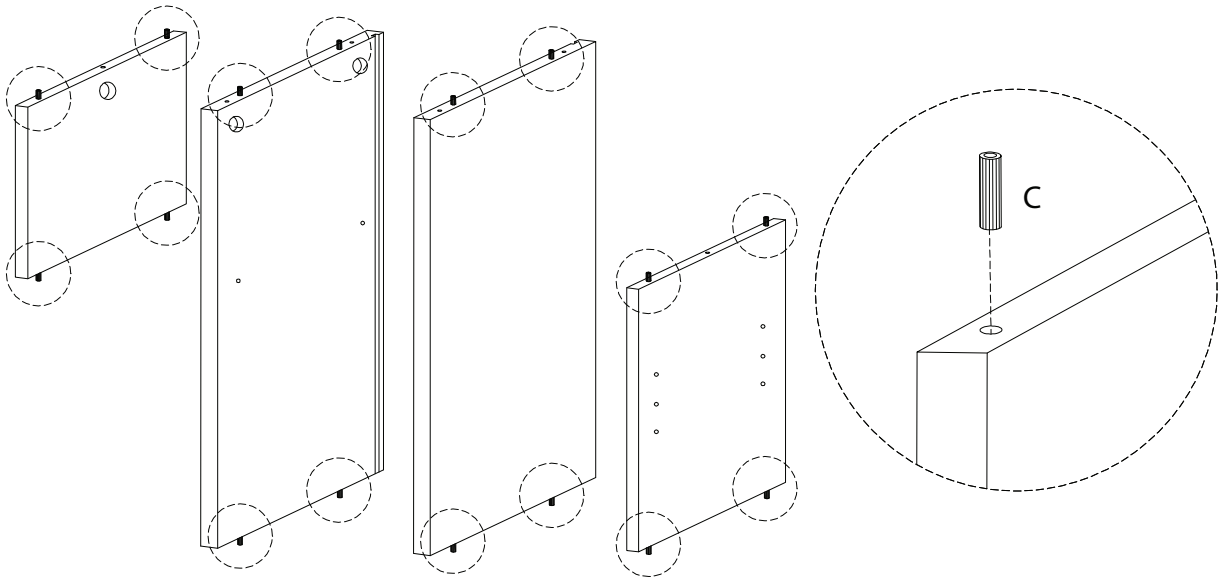
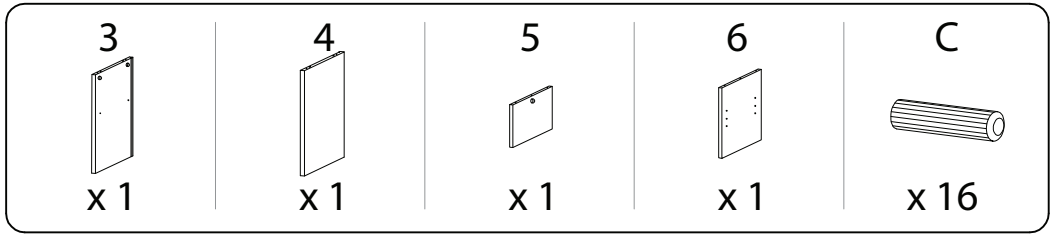
x 4

N

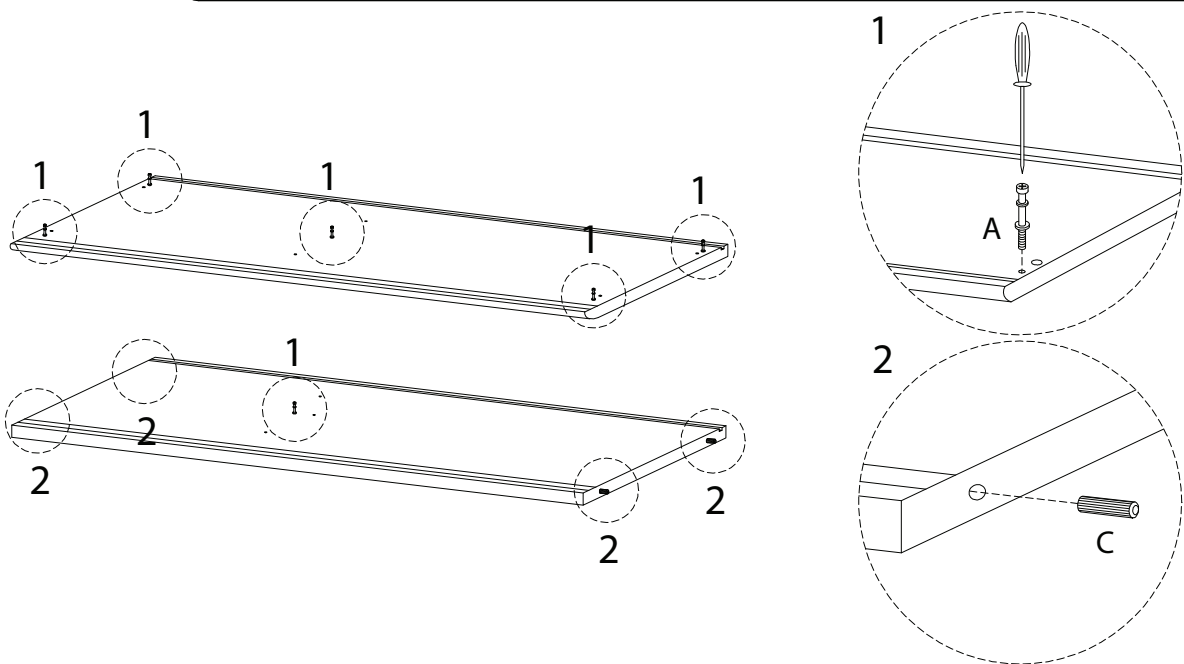
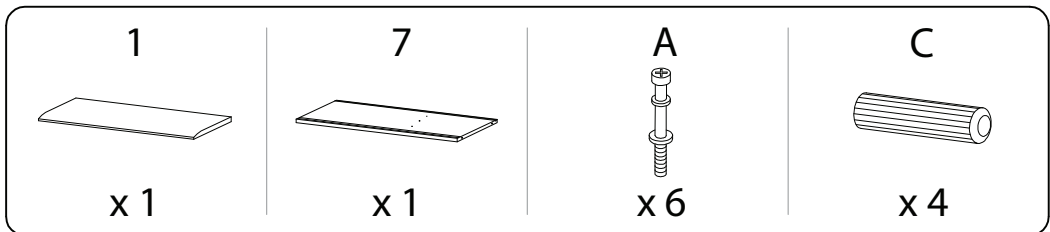


x 4

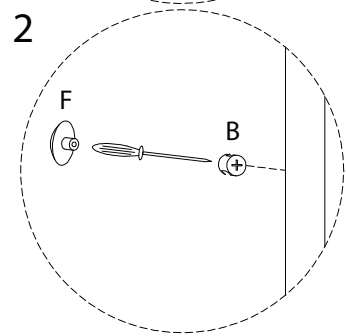
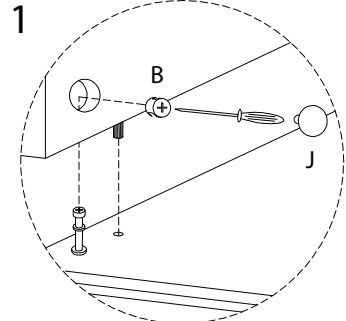
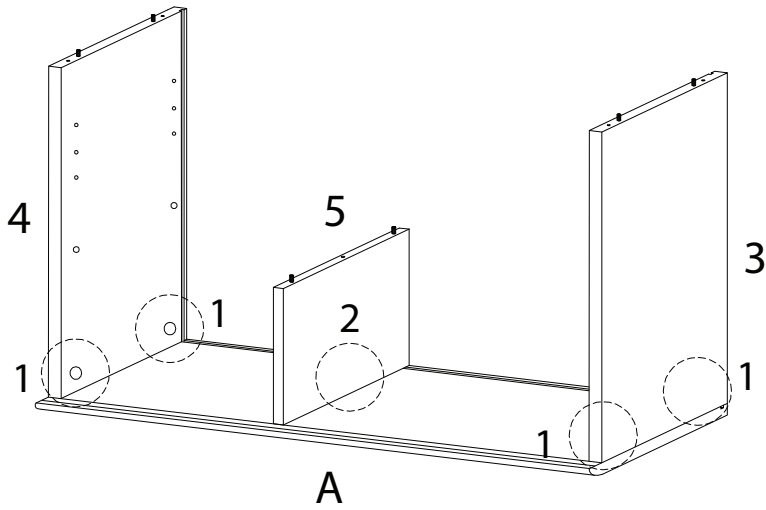
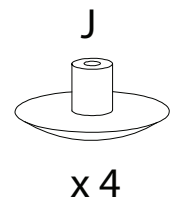
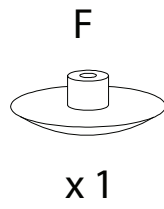
1



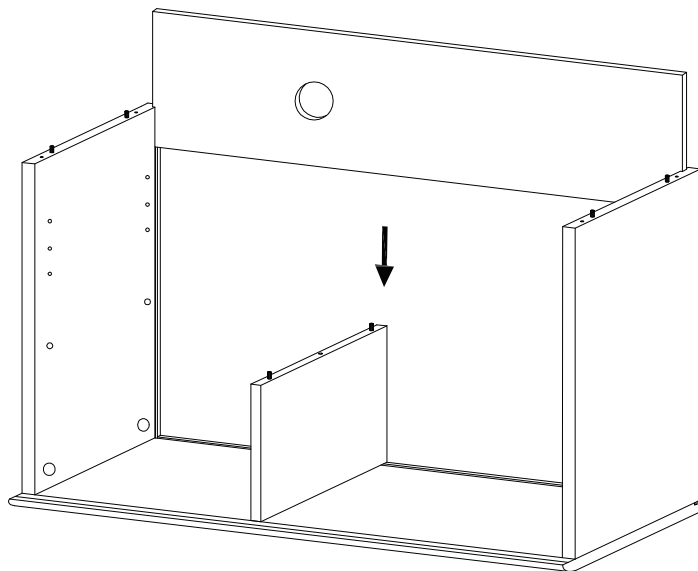
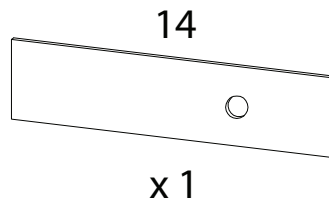
2



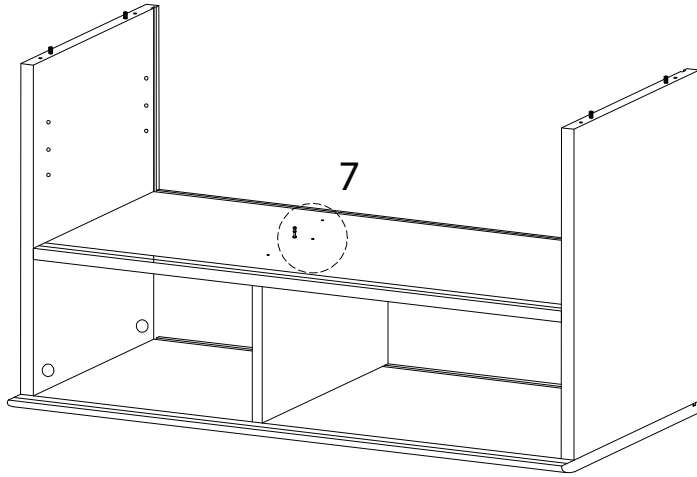
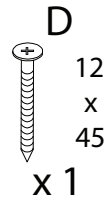
3



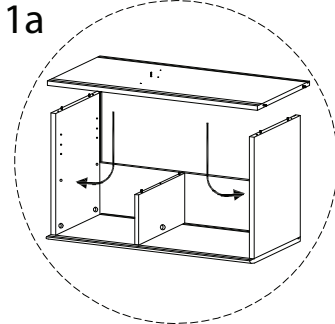
4



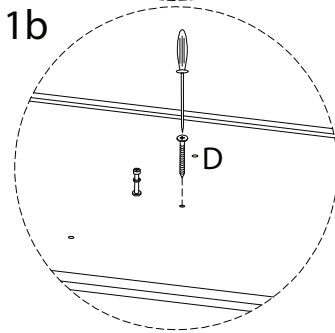
5



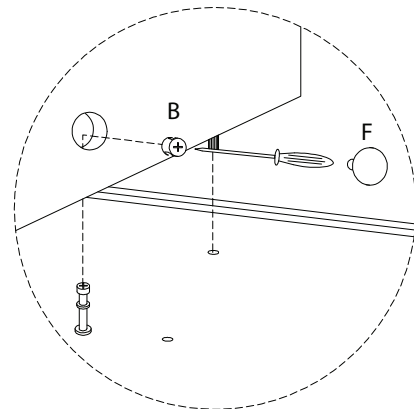
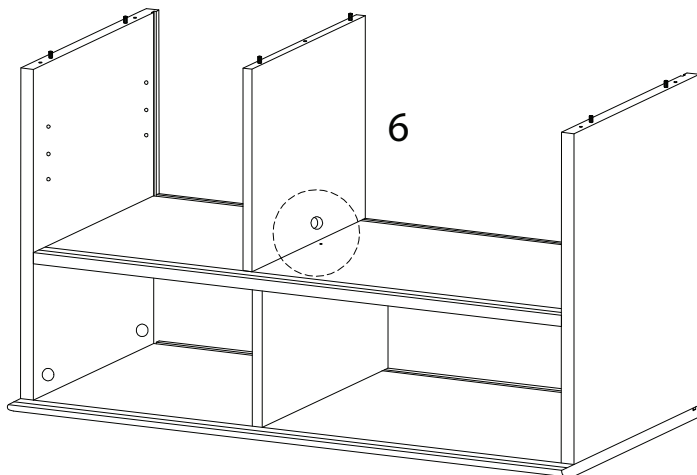
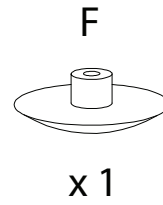
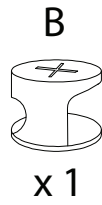
1a



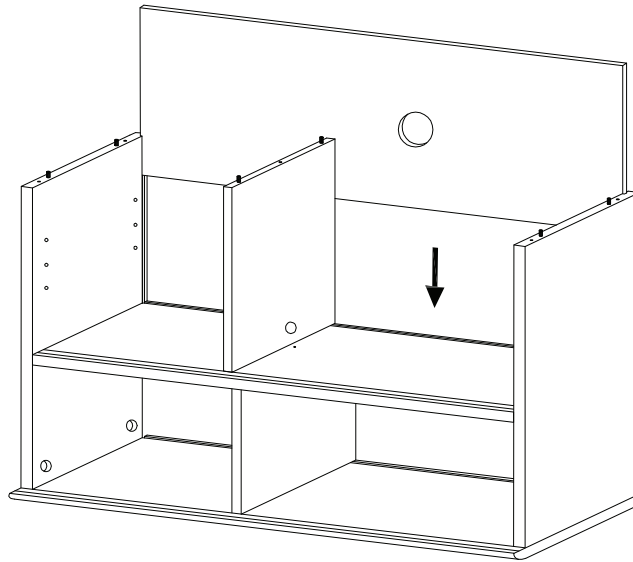
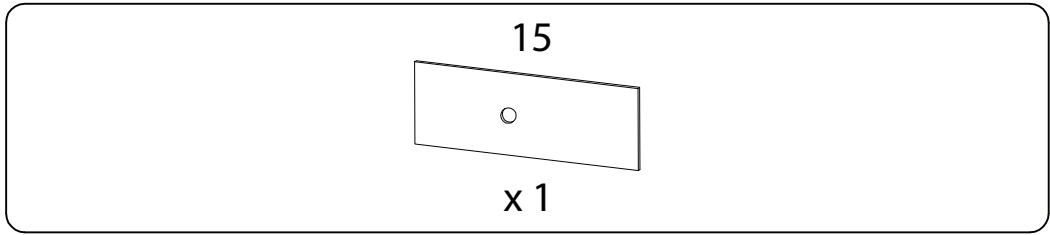
1b



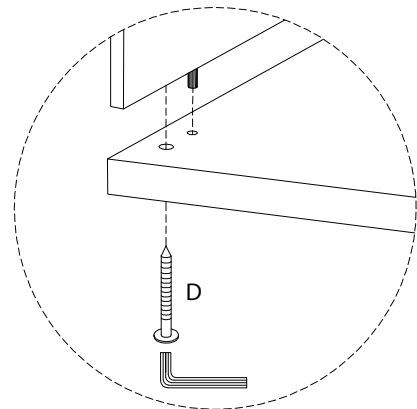
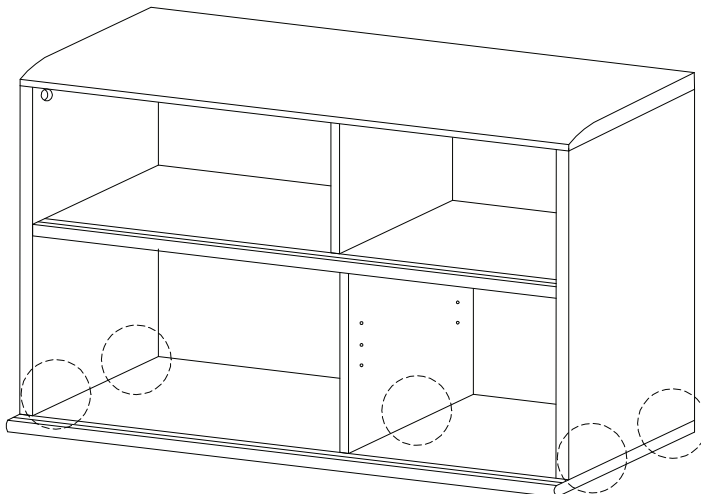
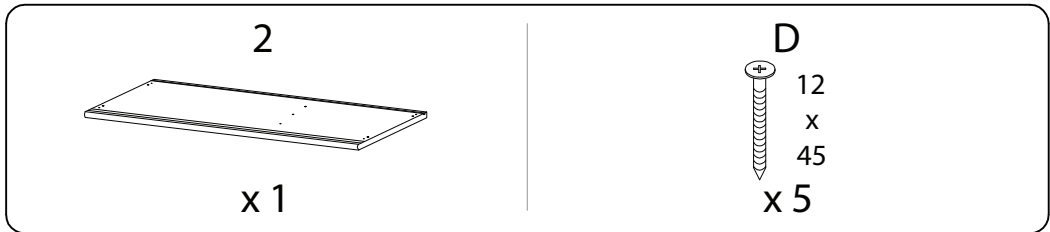
6



7

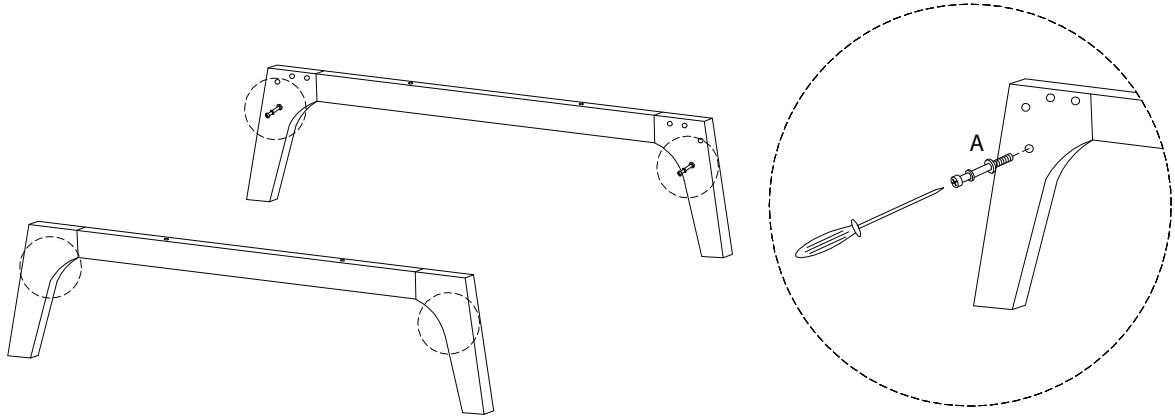
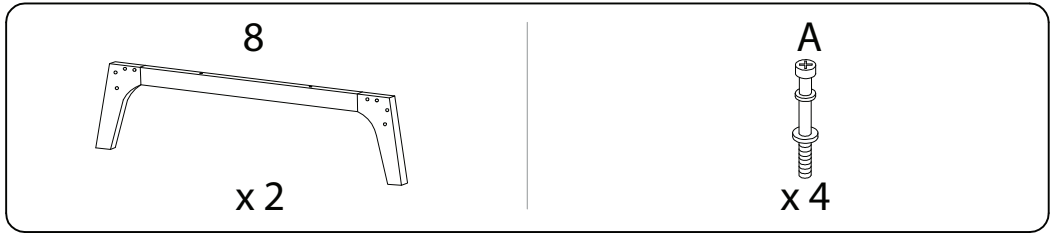


8

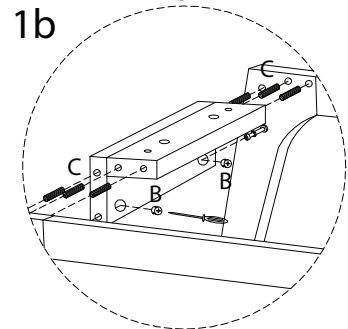
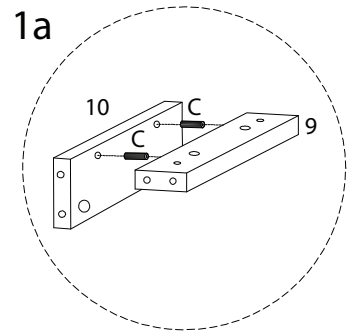
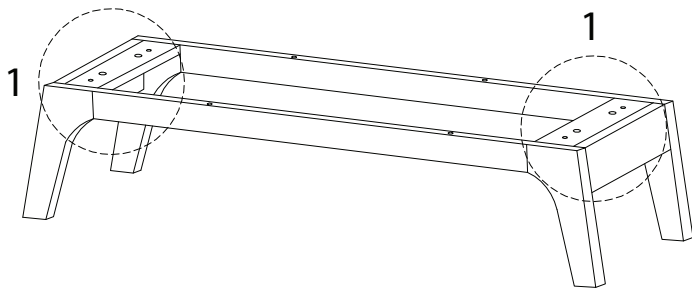
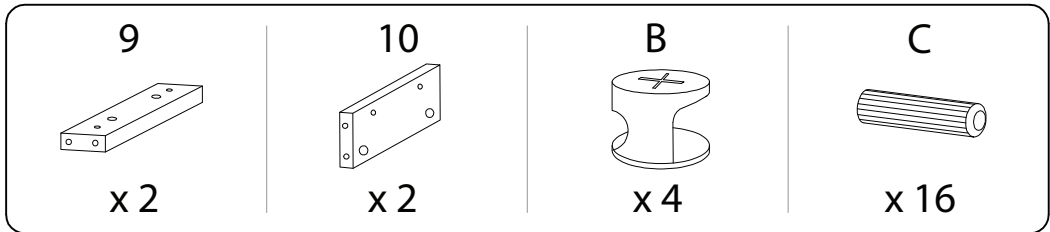




9

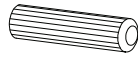


10

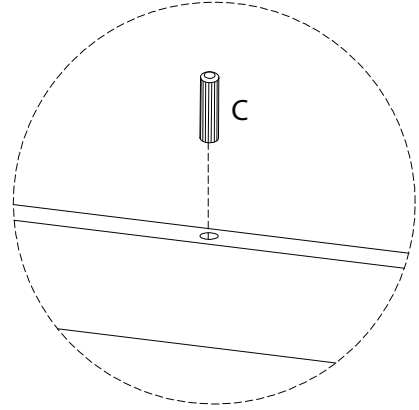
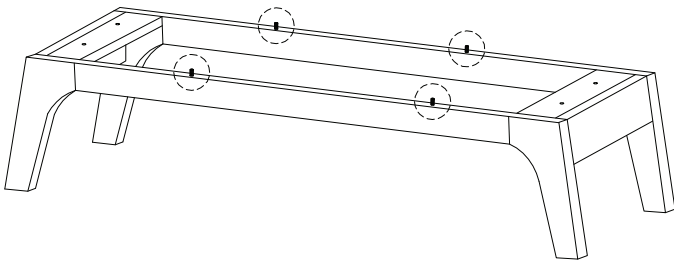


11

C

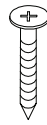


x4



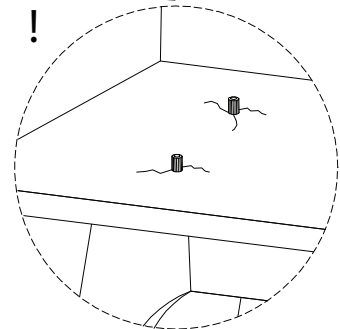
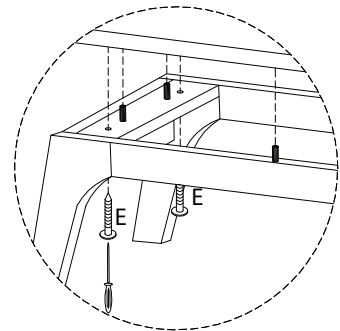
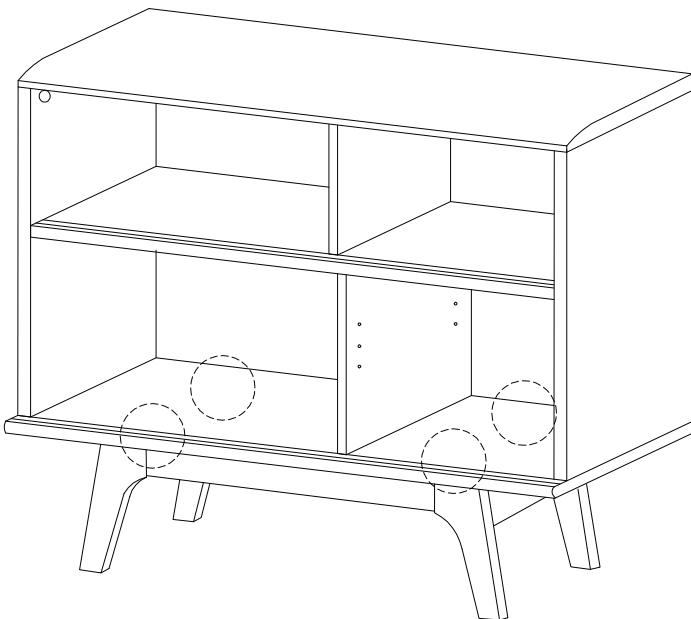
12

E



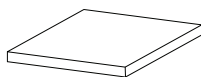
12  
x  
35

x4

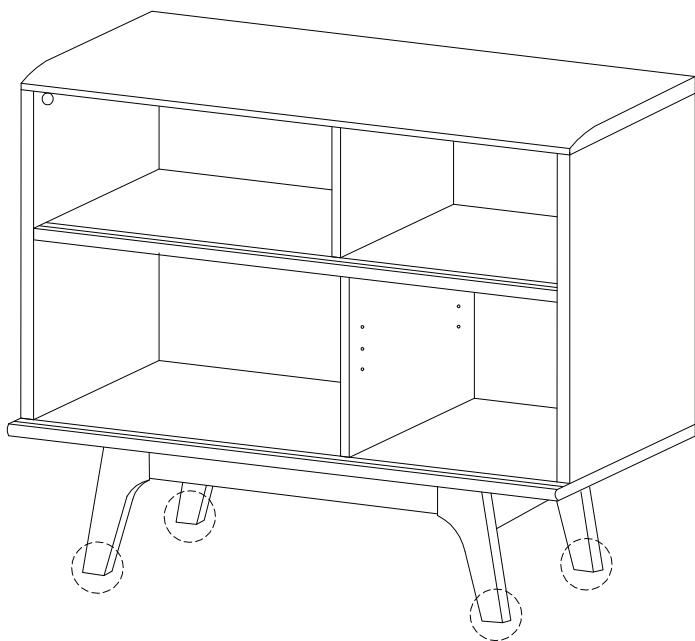


13

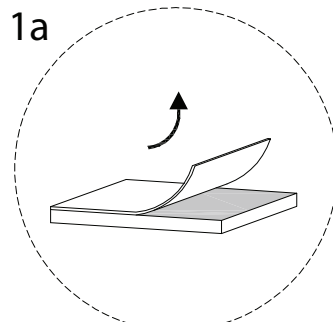
L



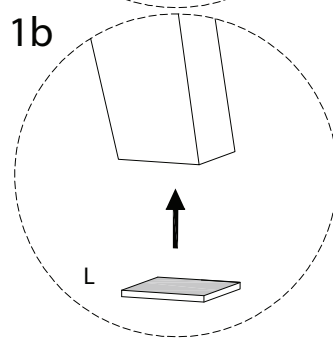
x4



1a



1b



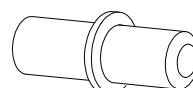
14

11

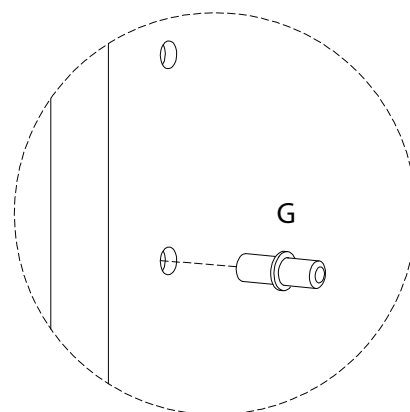
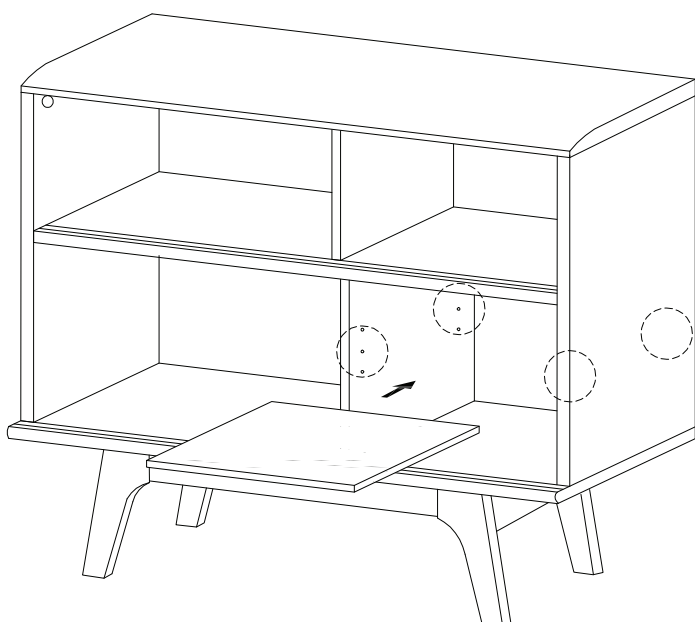


x1

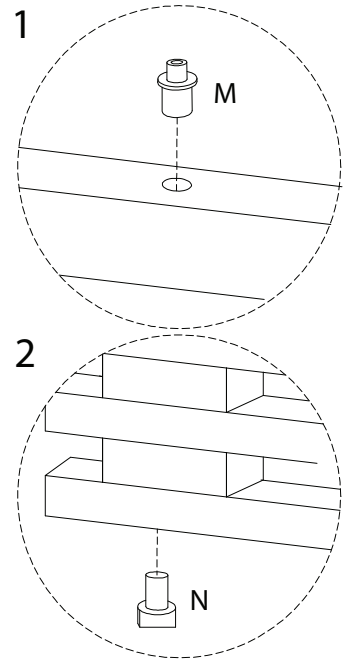
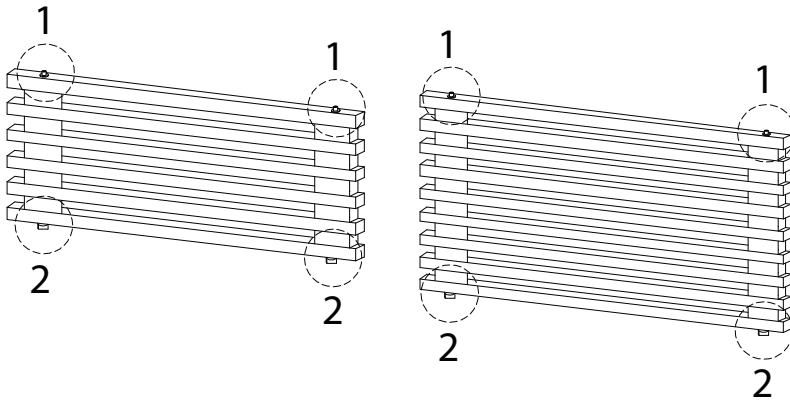
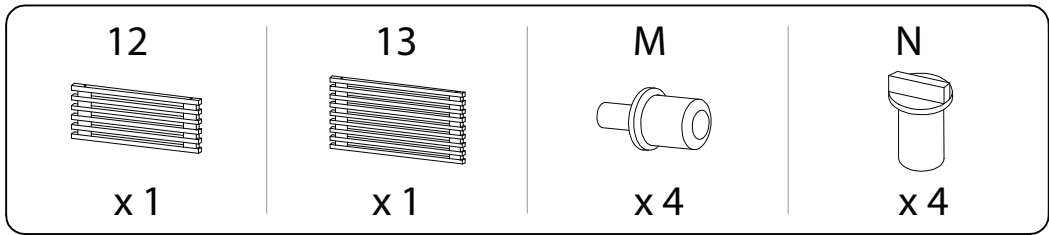
G



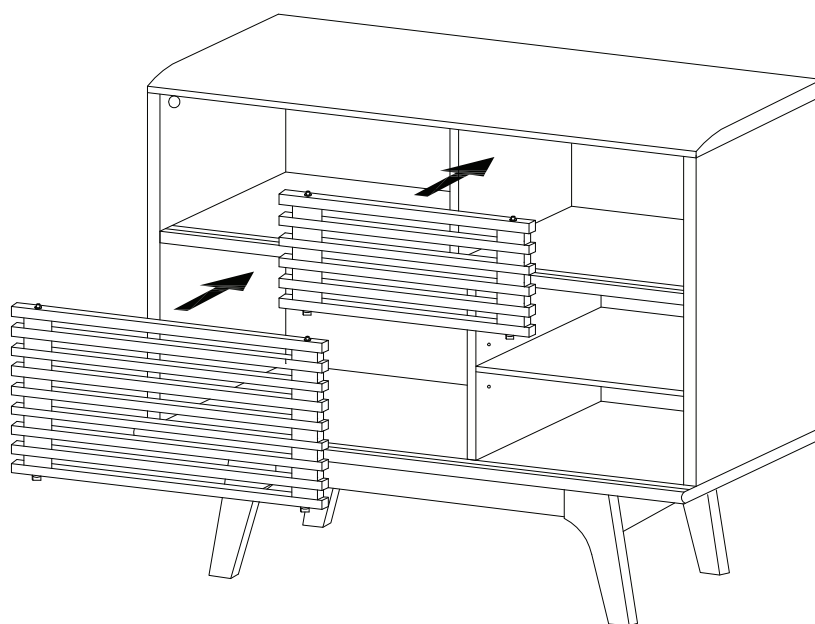
x4



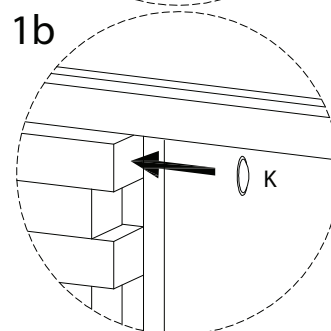
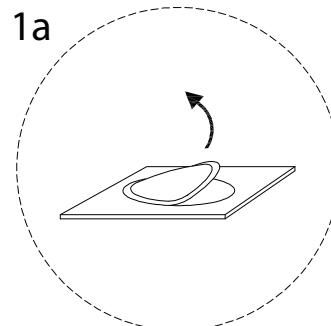
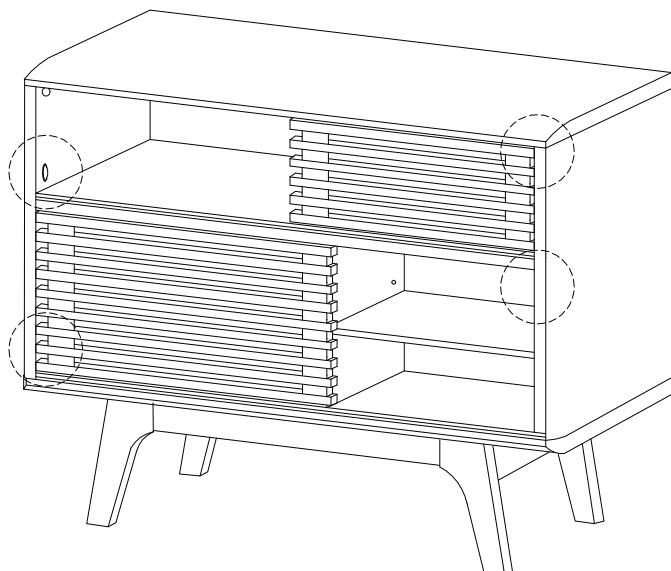
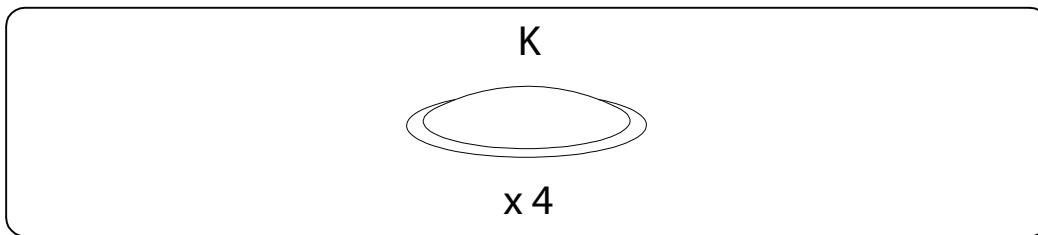
15



16



17



18

