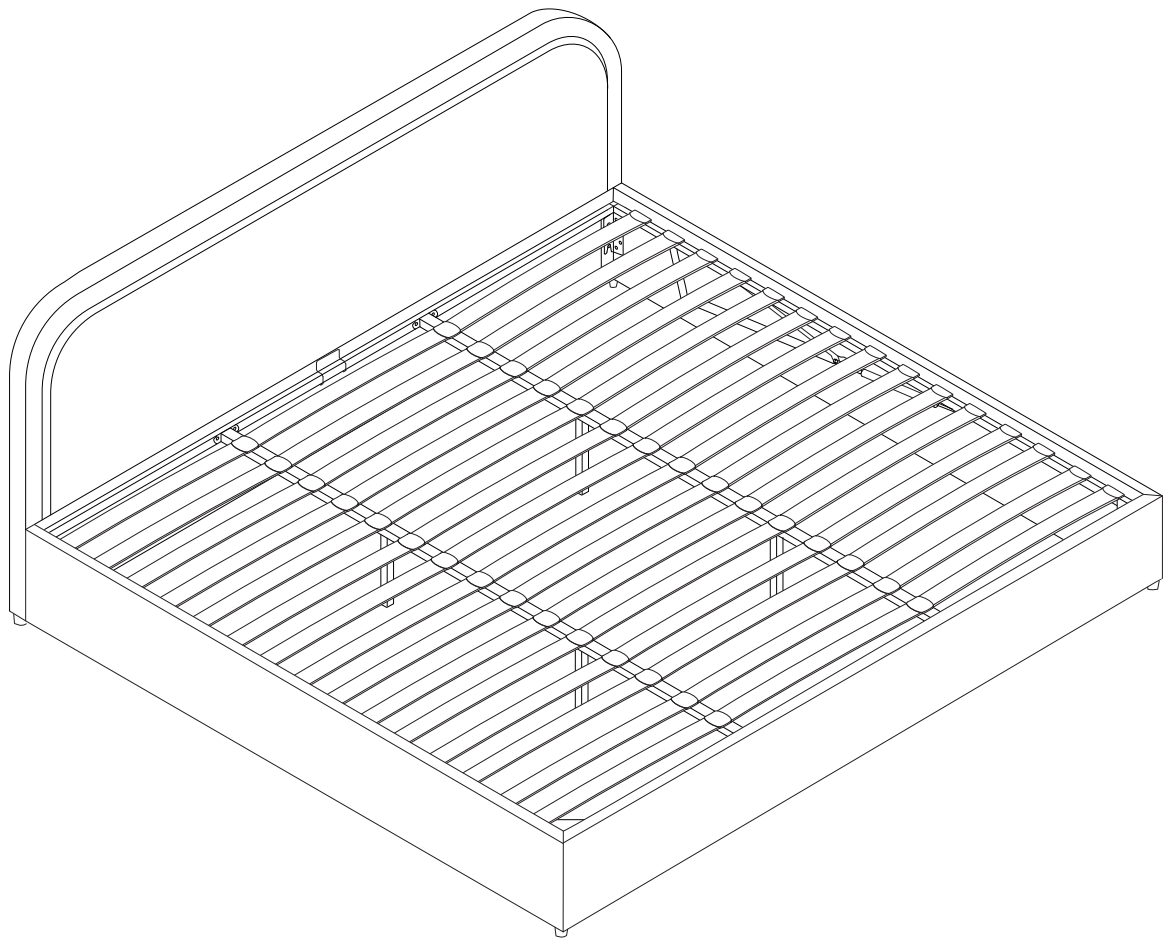
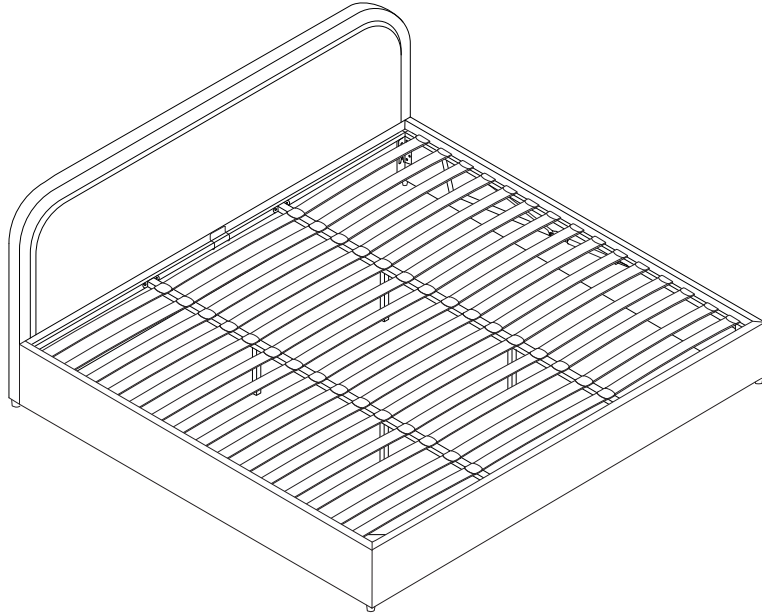
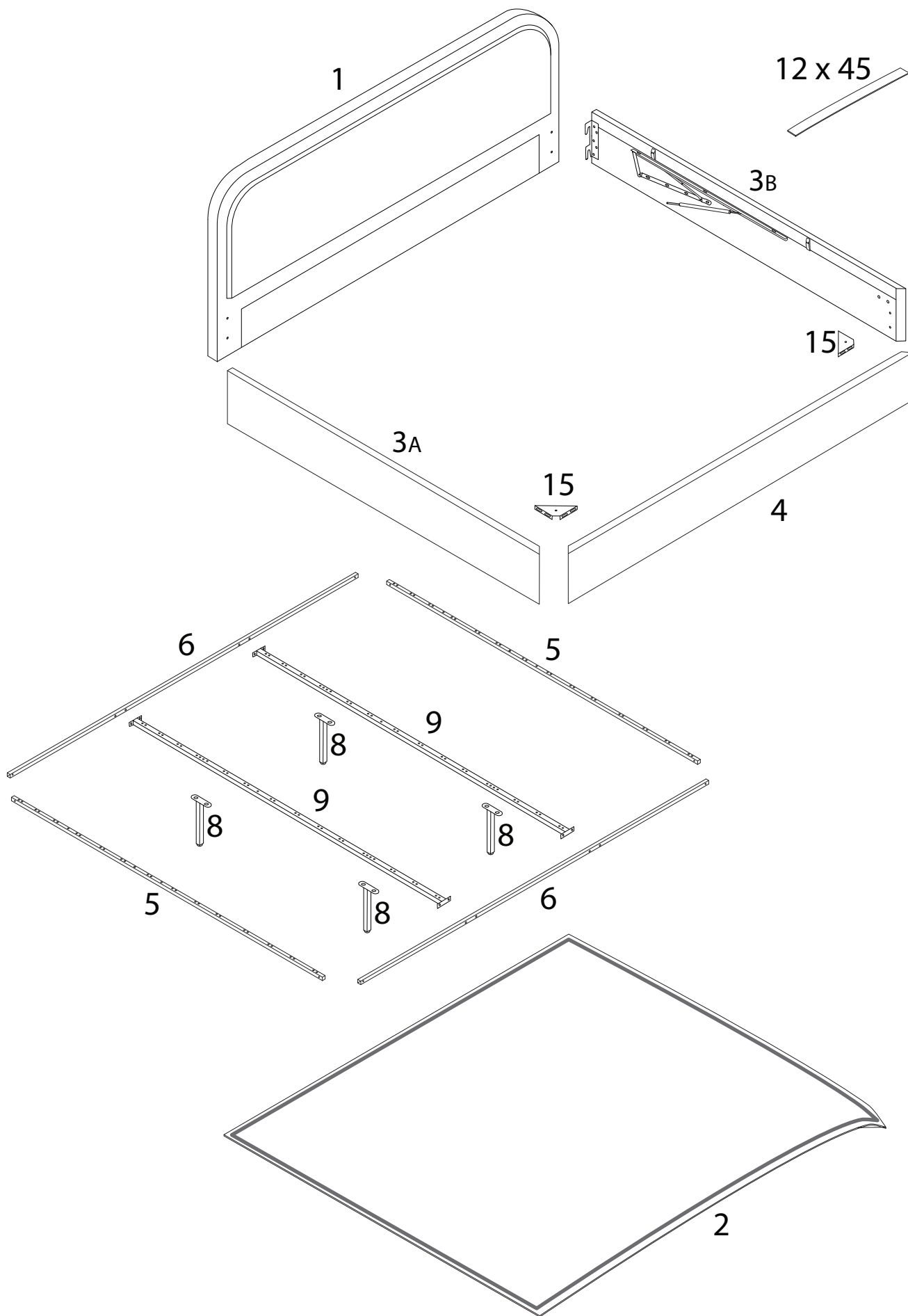


# QUILLIEN

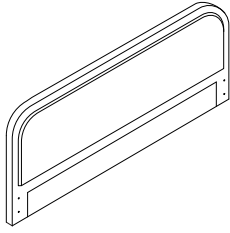




		<b>2</b>

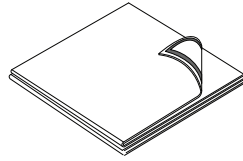


1



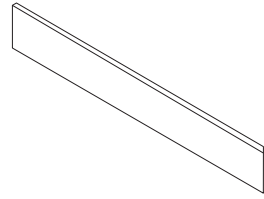
x 1

2



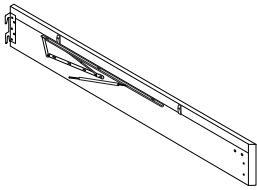
x 1

3A



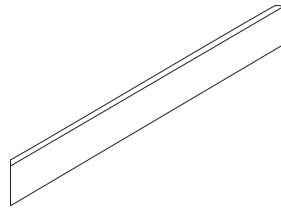
x 1

3B



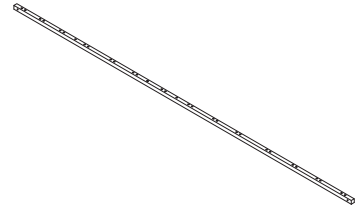
x 1

4



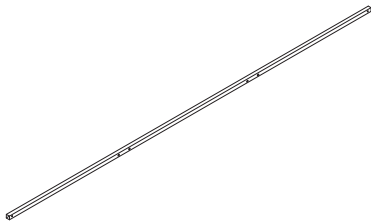
x 1

5



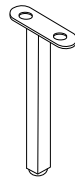
x 2

6



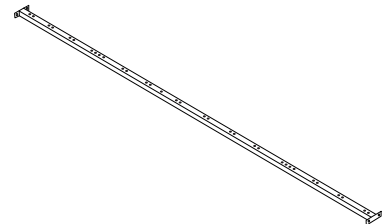
x 2

8



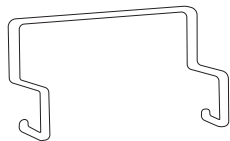
x 4

9



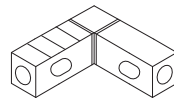
x 2

10



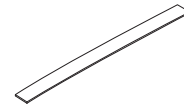
x 1

11



x 4

12



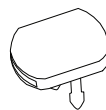
x 45

13



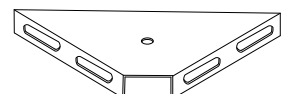
x 30

14



x 30

15



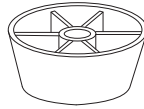
x 2

16



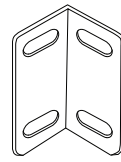
x 1

17



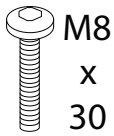
x 4

18



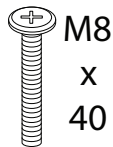
x 2

A



x 20

B



x 22

C



x 2

D1



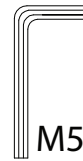
x 8

D2



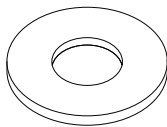
x 8

E



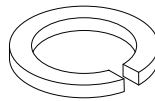
x 2

F



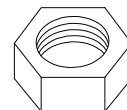
x 12

G



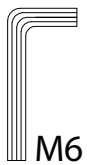
x 4

H



x 22

I



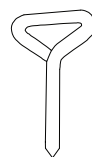
x 1

J



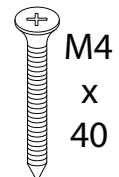
x 1

K



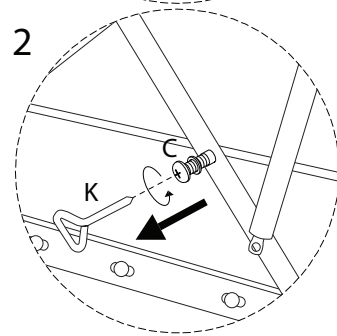
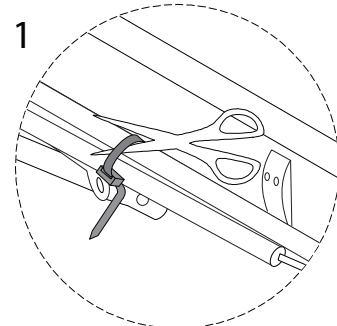
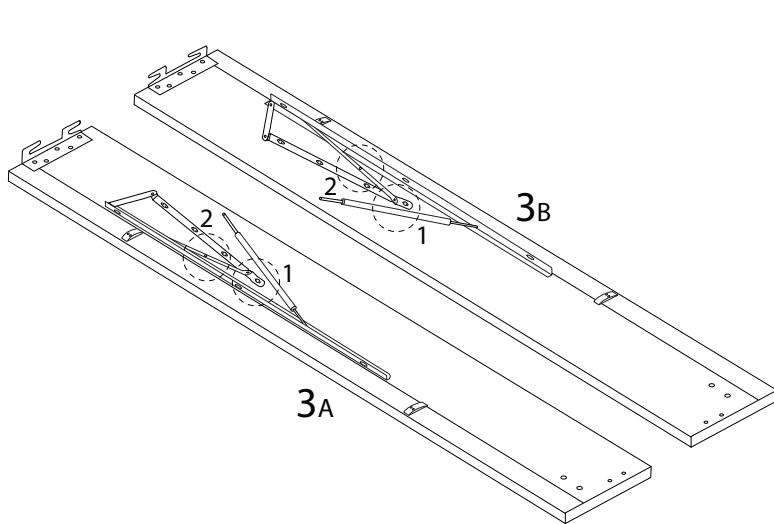
x 1

M

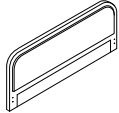
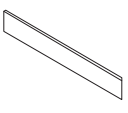
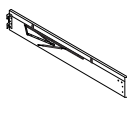

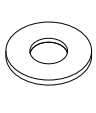
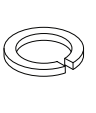



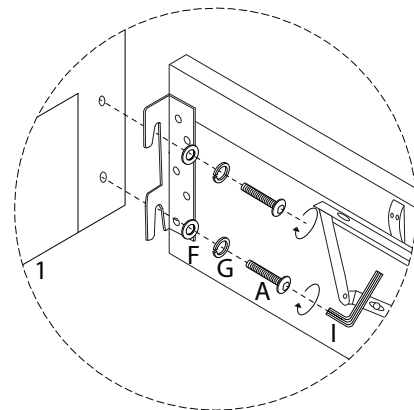
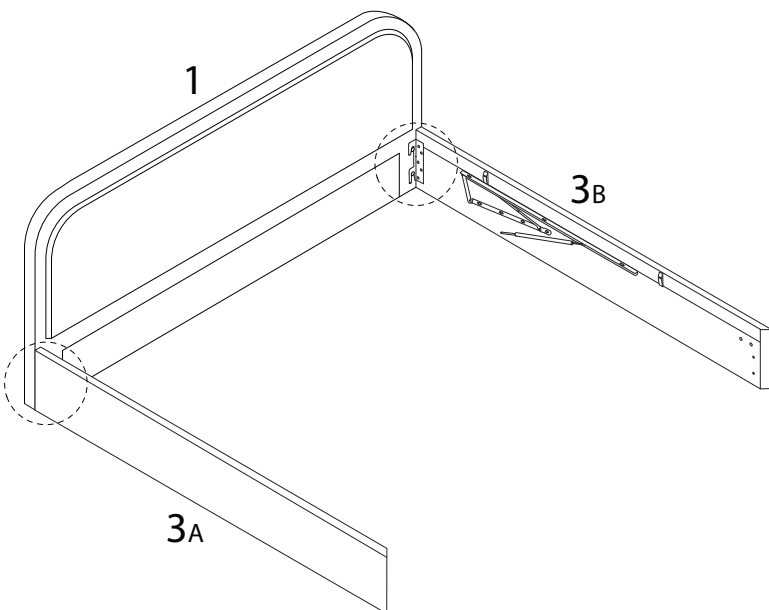
x 4

!

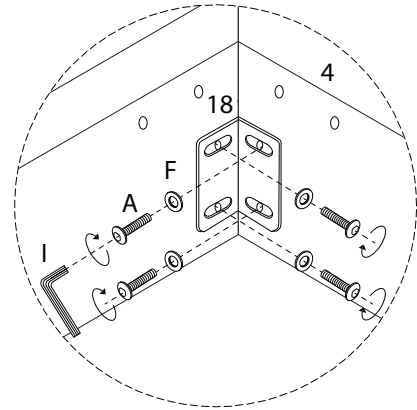
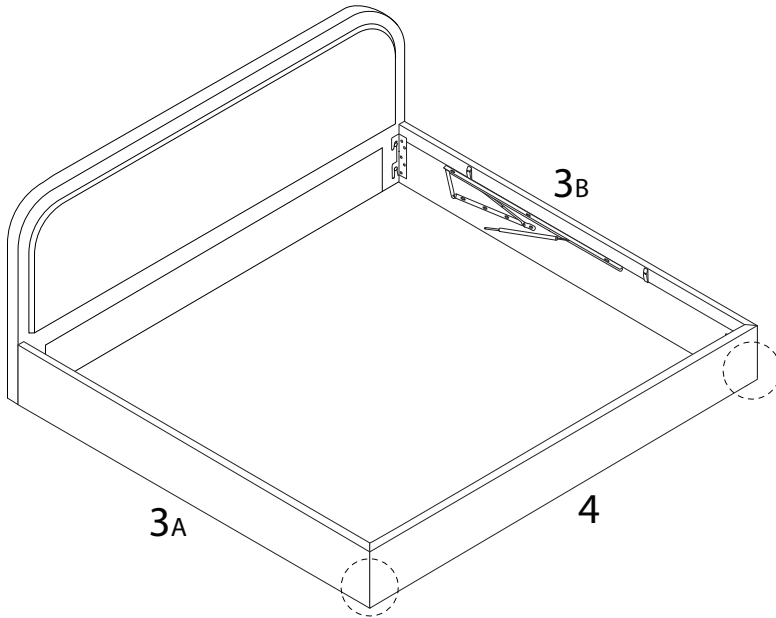
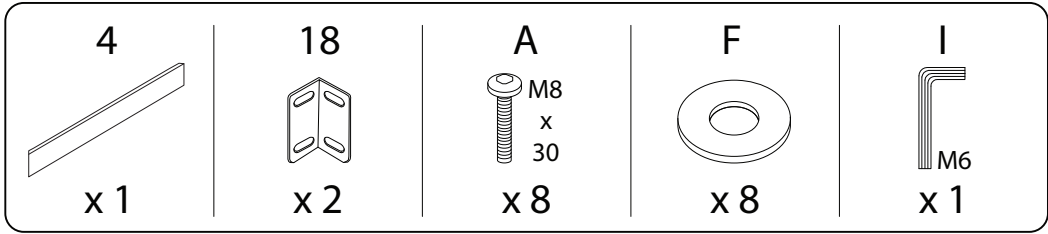


1

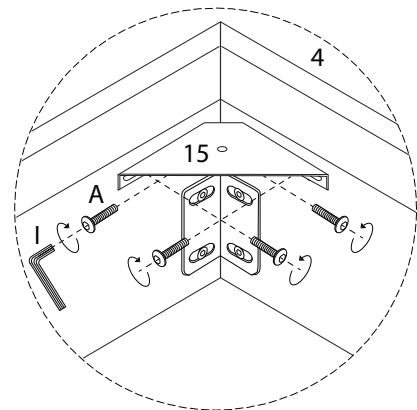
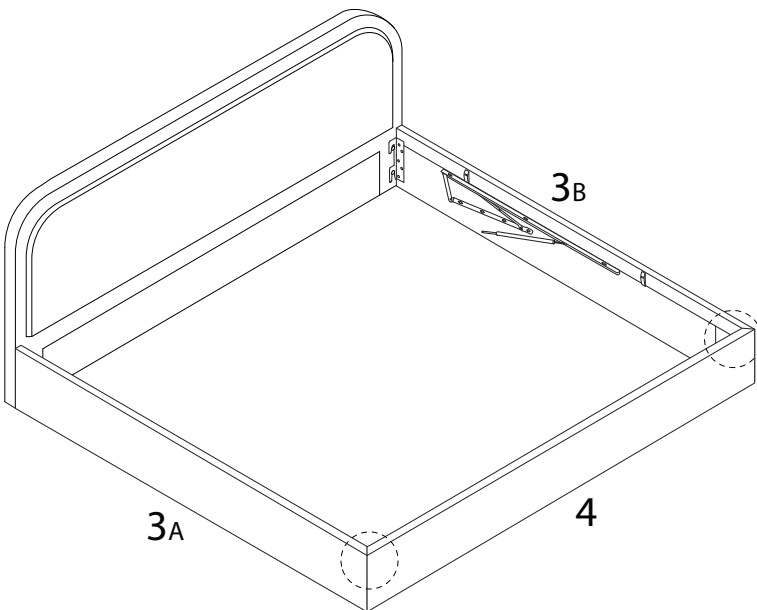
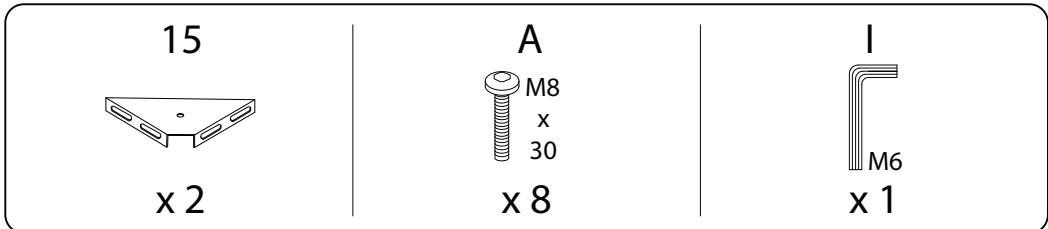
 1 x 1	 3A x 1	 3B x 1	 A M8 x 30 x 4	 F x 4	 G x 4	 I M6 x 1
---	--	--	--	--	---	---



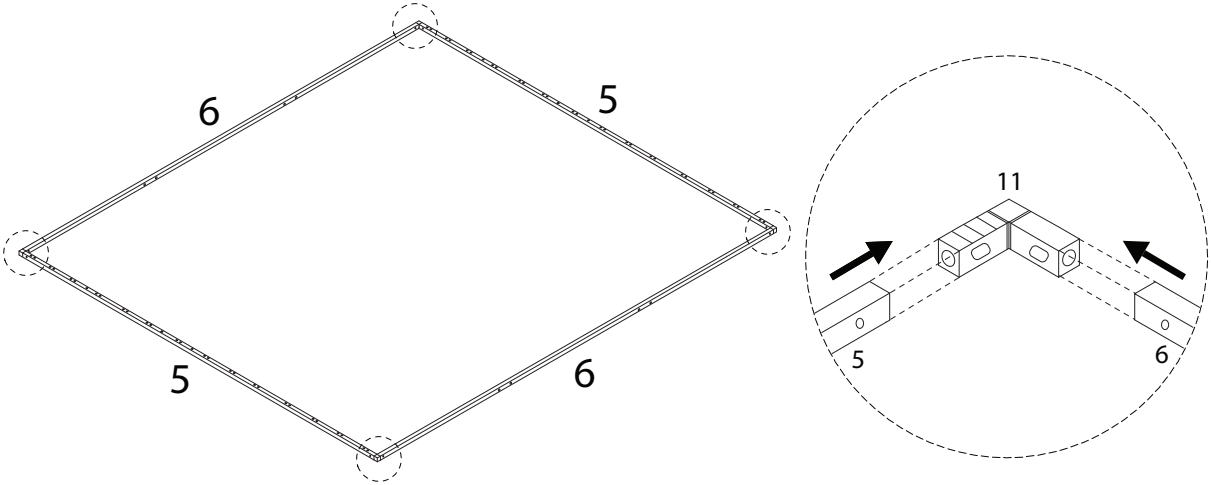
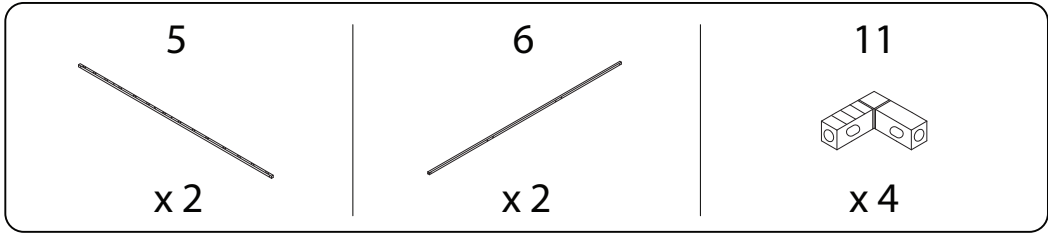
2



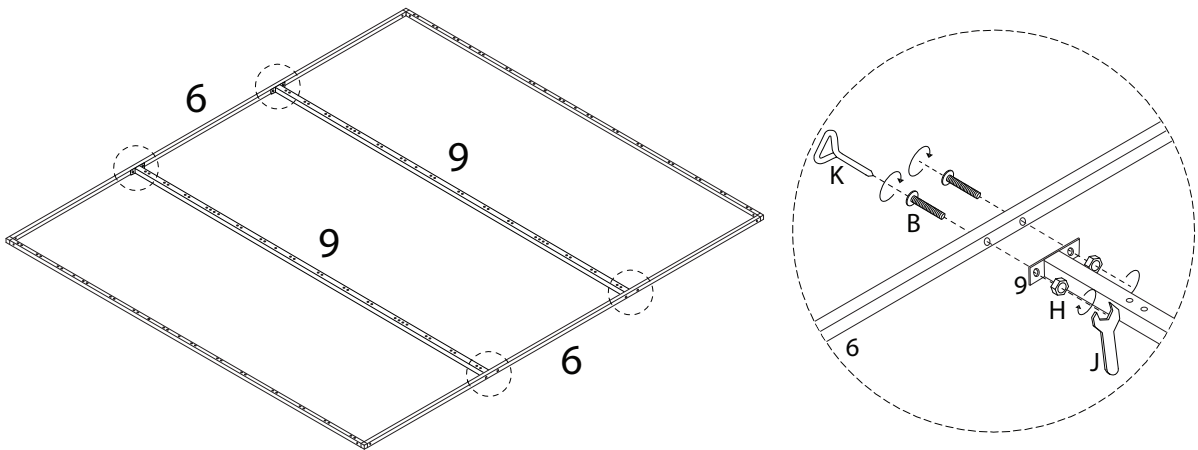
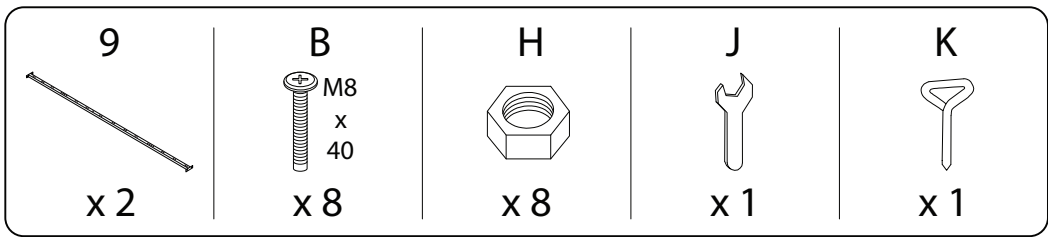
3



4



5



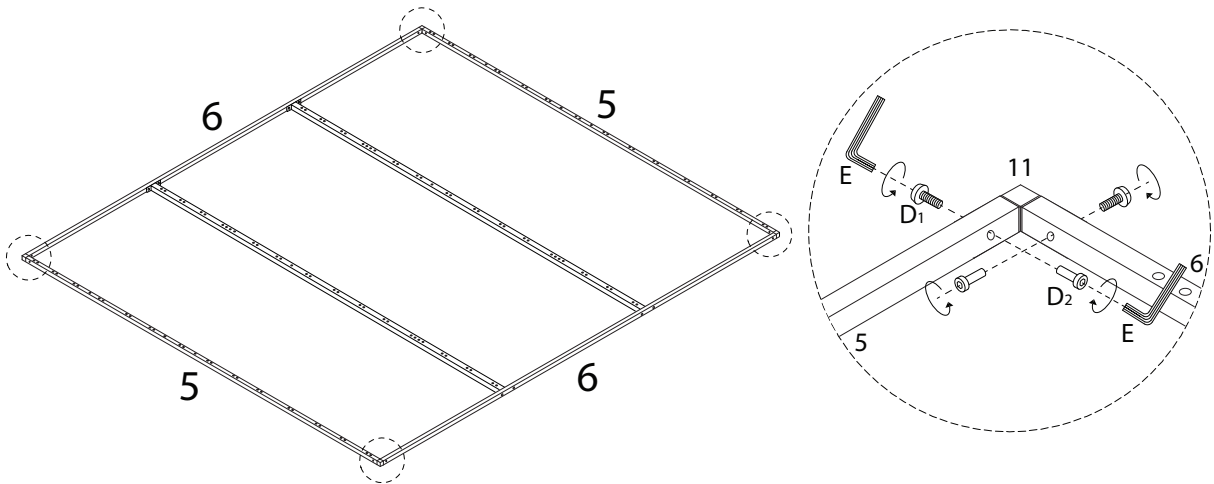


6

D1  
M6  
x  
20  
x 8

D2  
x 8

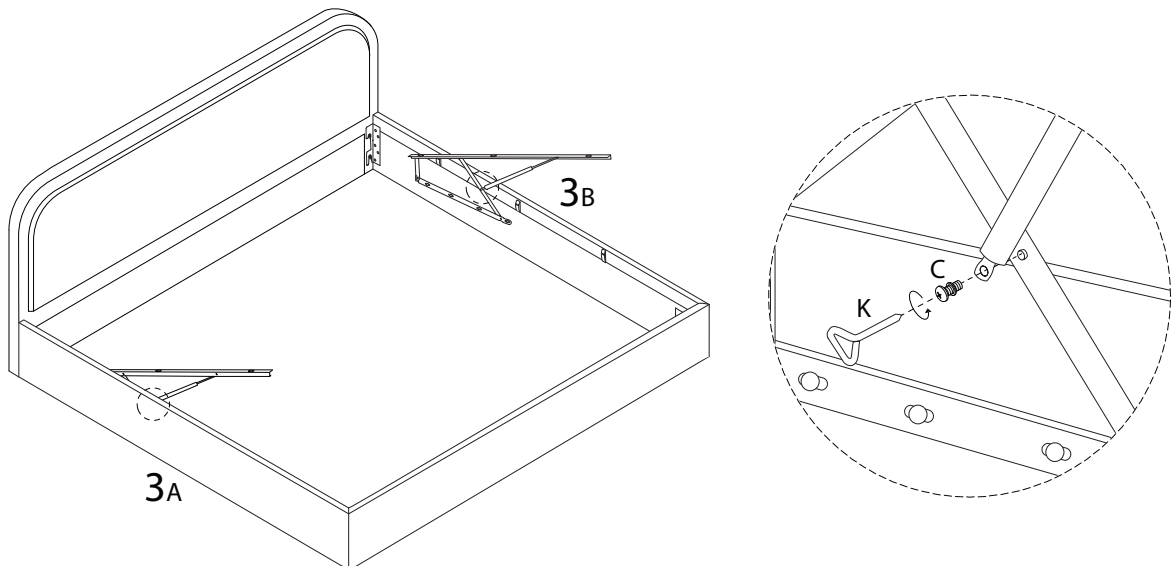
E  
M5  
x 2



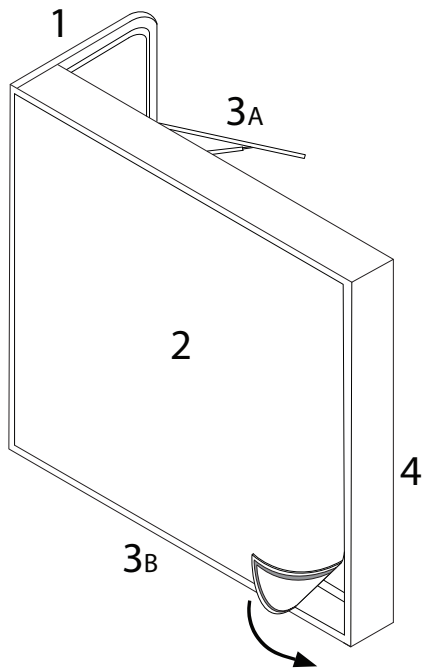
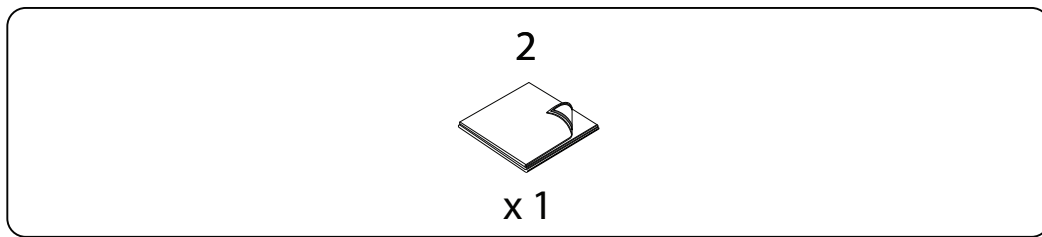
7

C  
x 2

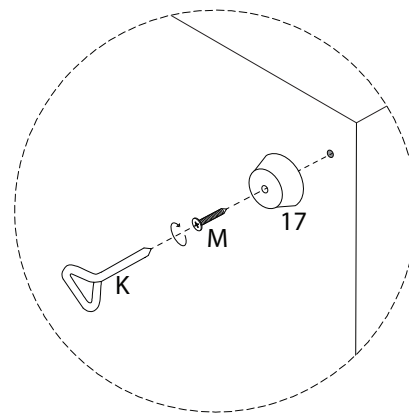
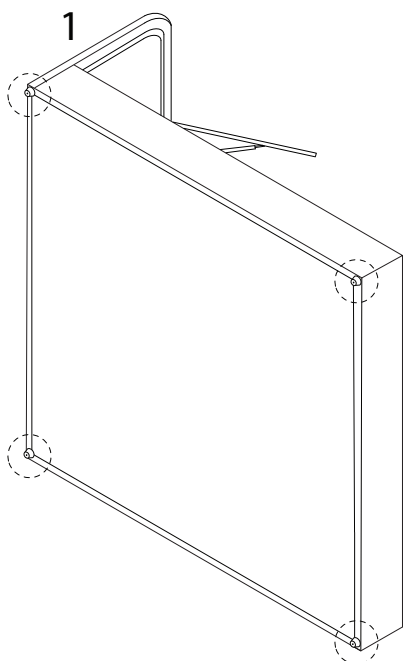
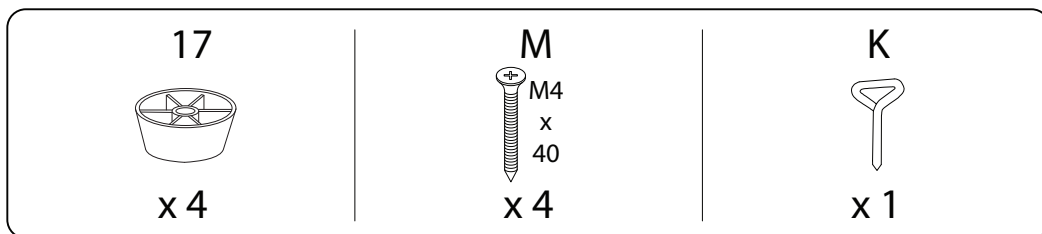
K  
x 1



8



9



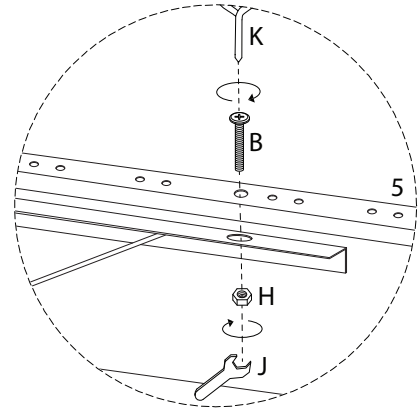
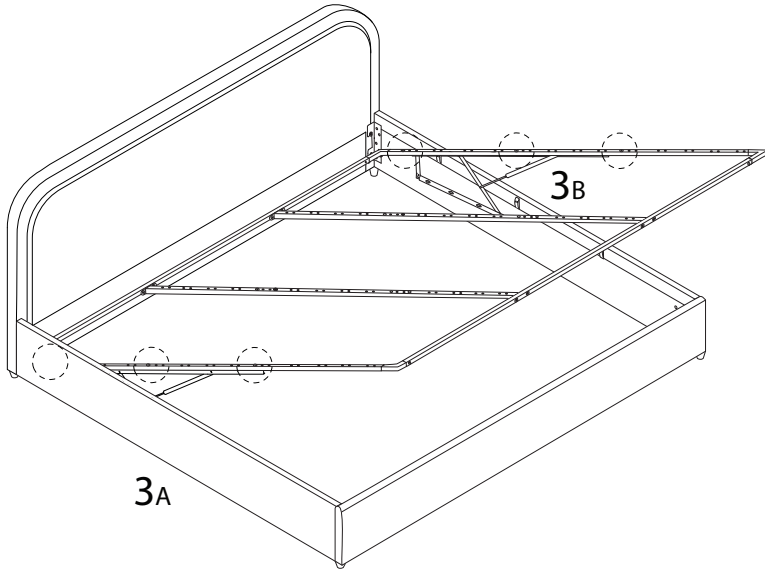
10

**B**  
M8  
x 40  
x 6

**H**  
x 6

**J**  
x 1

**K**  
x 1



11

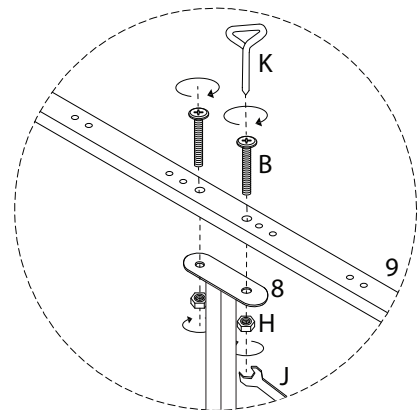
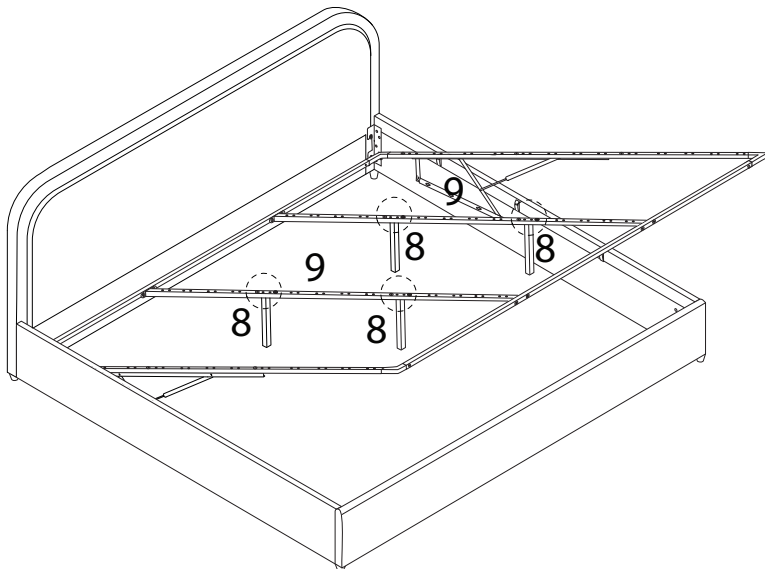
**8**  
x 4

**B**  
M8  
x 40  
x 8

**H**  
x 8

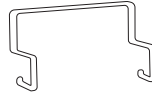
**J**  
x 1

**K**  
x 1

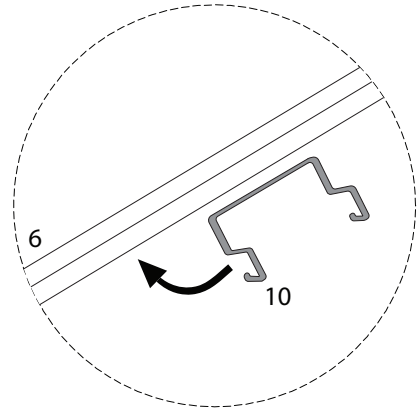
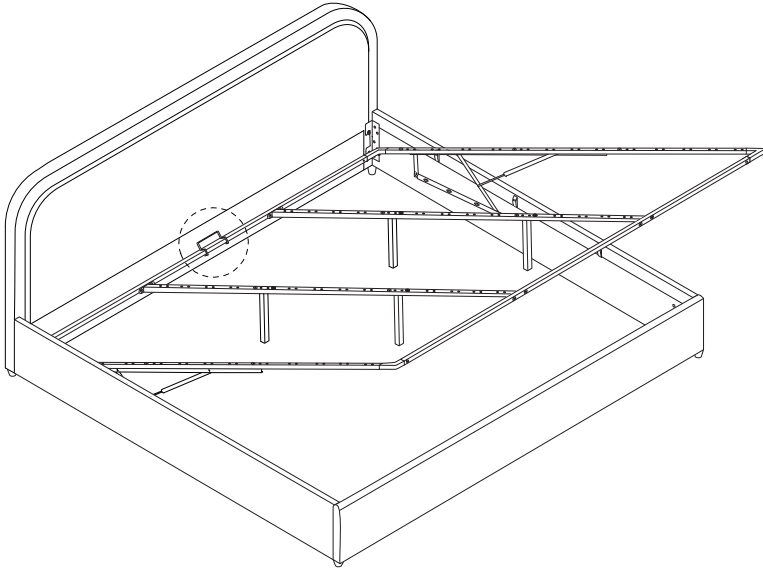


12

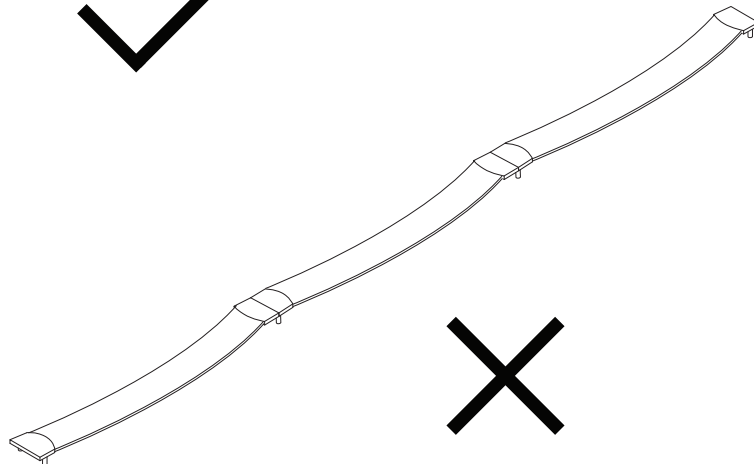
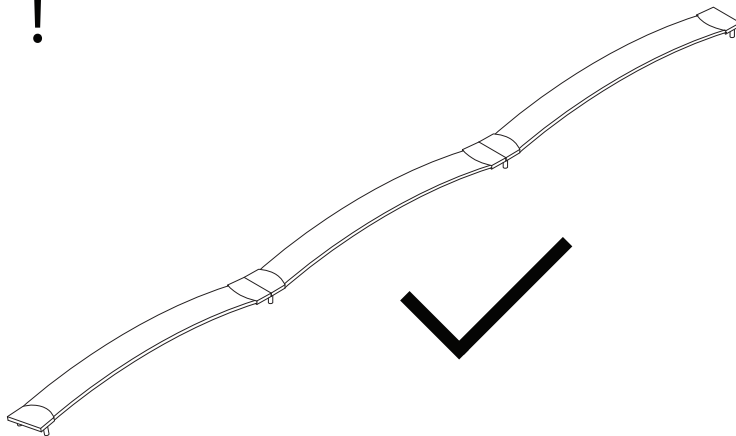
10



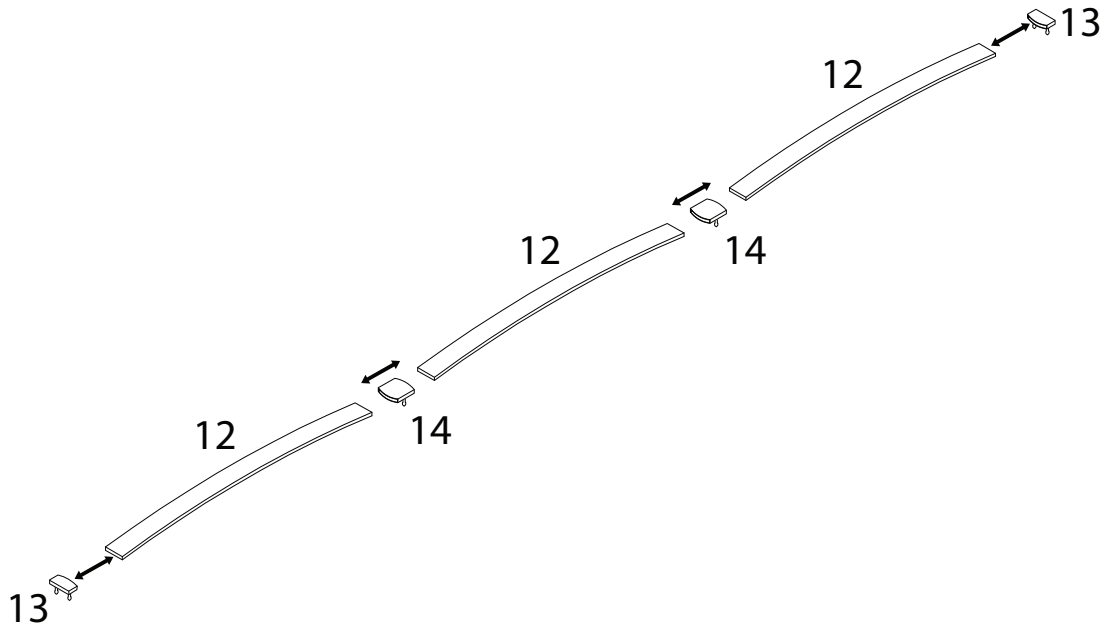
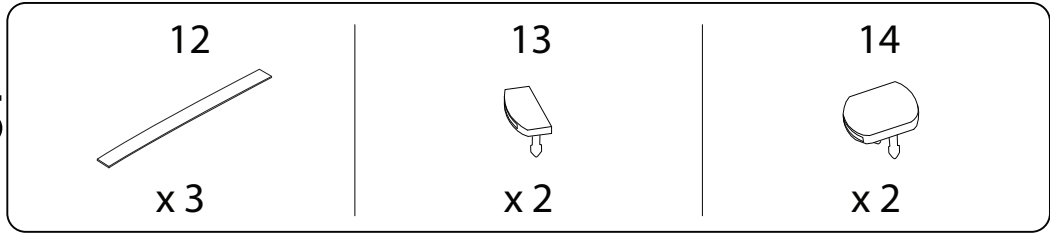
x 1



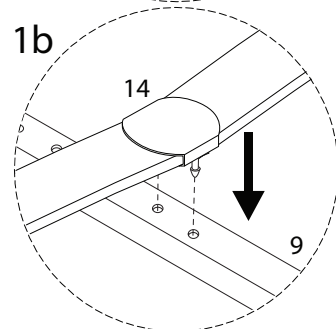
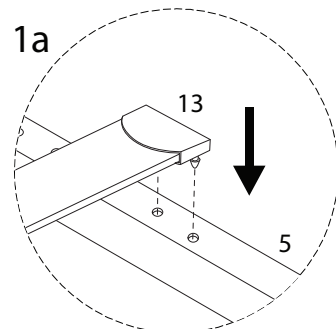
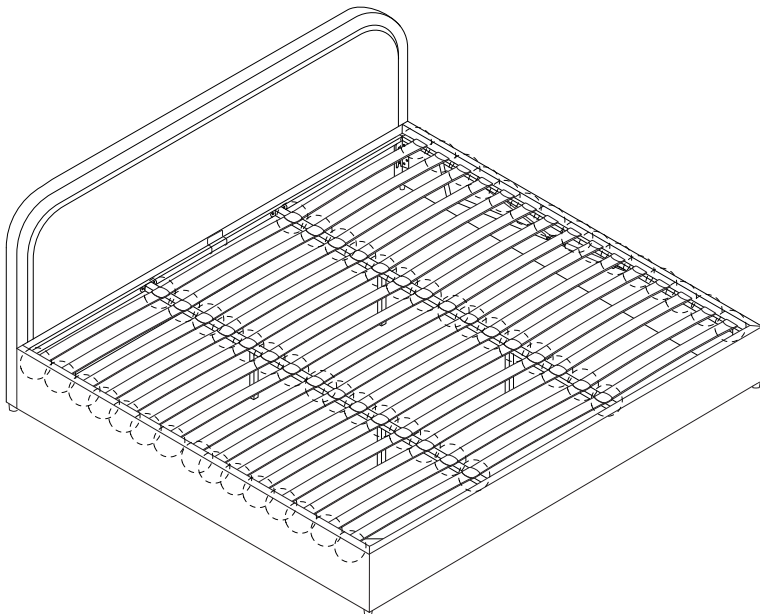
!



13 x 15



14



15

16



x 1

