



# LOOMIS

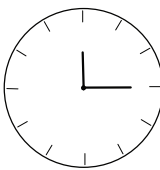


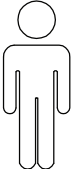


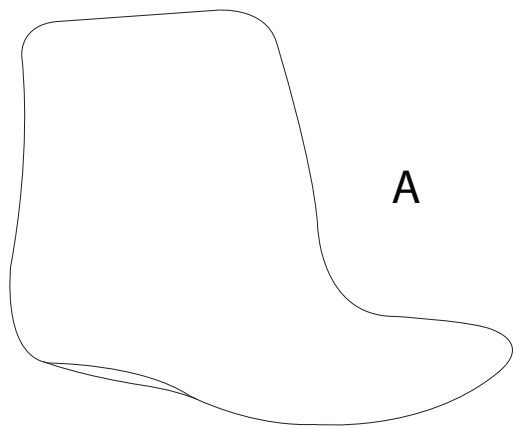
Assembly instructions for the chair, including warnings and time/effort indicators.

**Warning 1:** Do not use a power drill. Use an Allen key (shown in a circle) to tighten the screws. 

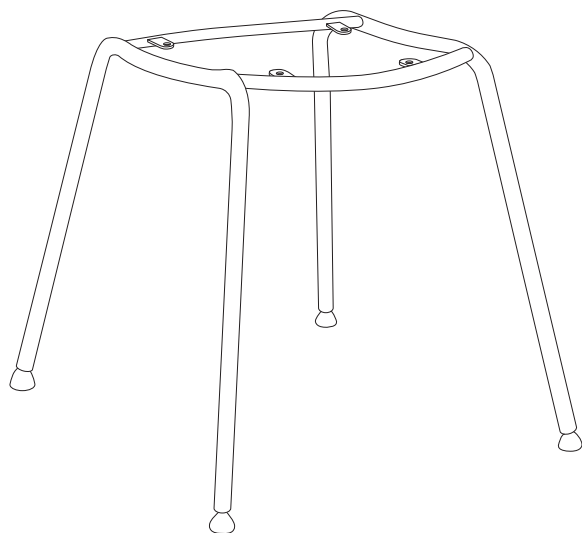
**Warning 2:** Do not place the chair on a soft surface like a rug. Place it on a hard, flat surface. 

**Time:** 15' 

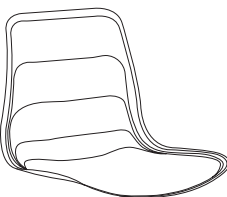

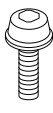
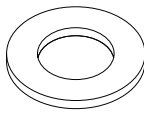

**Effort:** 1 



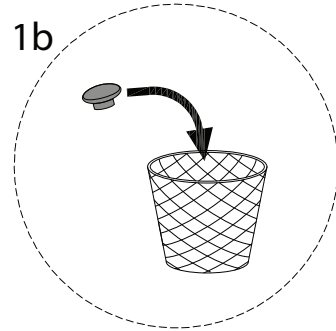
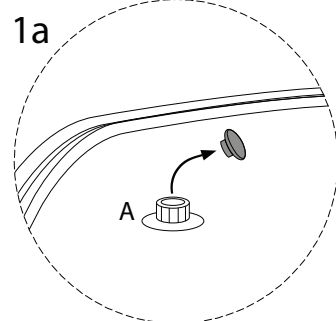
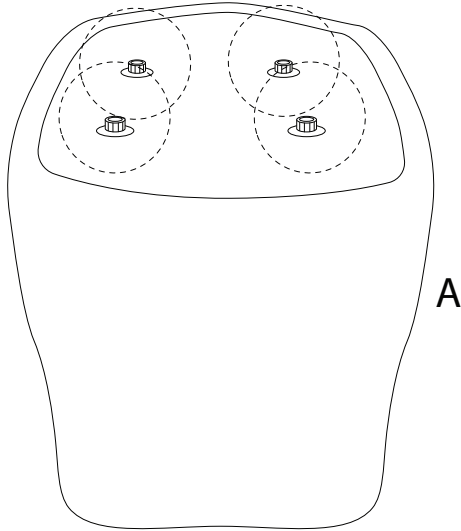
A



B

A	B	C	D	E
		 M6 x 14		
x 1	x 1	x 4	x 4	x 1

1



2

